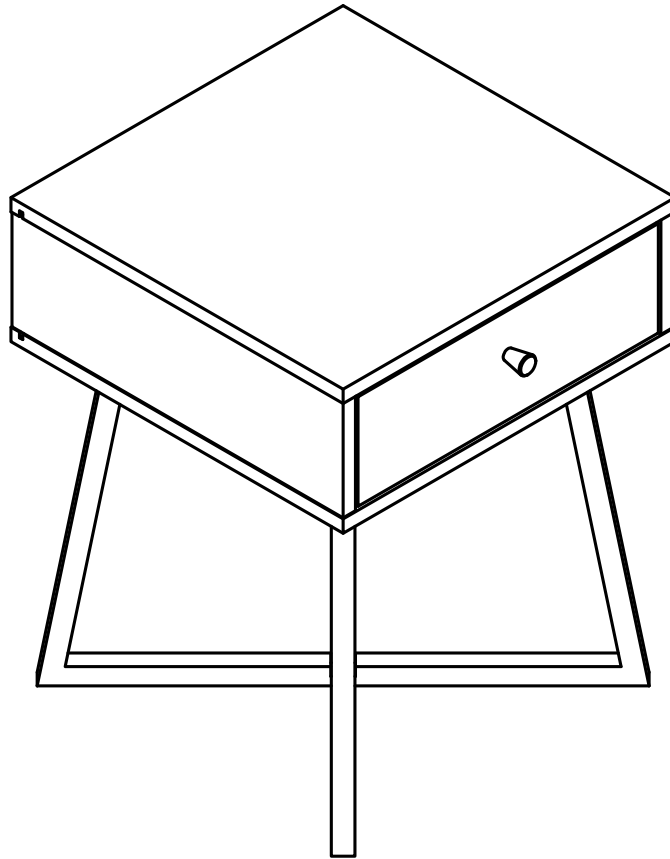


ASTORIA COLLECTION
1-DRAWER END TABLE

Item#: 63707



ATTACH YOUR RECEIPT HERE

Keep a copy of your proof of purchase or order confirmation which will be needed if you need to contact us about warranty coverage.

Purchase Date: _____



SAVE THESE INSTRUCTIONS FOR FUTURE REFERENCE.



Questions, problems, missing parts?

Before returning to your retailer, our Florida-based customer service team is available:

Call toll-free **(866) 985-7877**

9 a.m. – 9 p.m., EST

Email **cservice@welltraveled.net**

Live chat **www.balkenehome.com**

9 a.m. – 6 p.m., EST, Monday – Friday



BEFORE YOU BEGIN

Before beginning assembly, make sure all parts are present. Compare parts received with the “Parts List.” If any part is missing or damaged, do NOT attempt to assemble the product. Please read and understand this entire manual before attempting to assemble, operate or install this product. If you have any questions regarding the product, please contact Customer Service:

Call toll-free	(866) 985-7877	9 a.m. – 9 p.m., EST
Email	cservice@welltraveled.net	
Live chat	www.balkenehome.com	9 a.m. – 6 p.m., EST, Monday – Friday



GENERAL INFORMATION

This item is made of particle board and a metal frame. For safe assembly, set up on a dry, soft, secure and clean surface. Do not clean with detergent or chemicals. Do not place hot items such as coffee cups directly on the surface of this furniture item. Keep away from direct sunlight and water. Do not drag the table. For indoor use only.



SAFETY INFORMATION

WARNING

DO NOT sit or stand or allow children to sit or stand on the assembled product. Make sure connectors are securely in place. Perform periodic checks to make sure the connectors are secure and adjust if needed. Keep unassembled parts and hardware away from children and infants. This package contains small parts and sharp points. Adult assembly required.

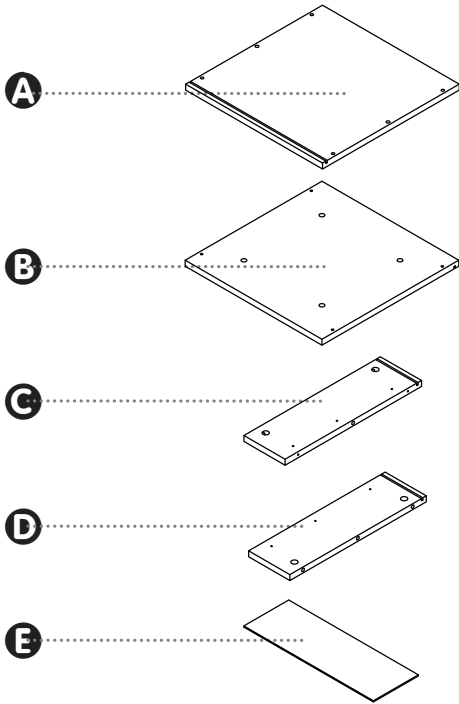
CAUTION

READ all instructions before beginning assembly. Failure to do so may result in faulty assembly and potential injury. Assemble the item on a soft, non-abrasive surface such as carpet or cardboard to avoid damaging the item.

Max safe load limit: Tabletop: 15 KG / 33 LB and Drawer: 5 KG / 11 LB.

PARTS LIST

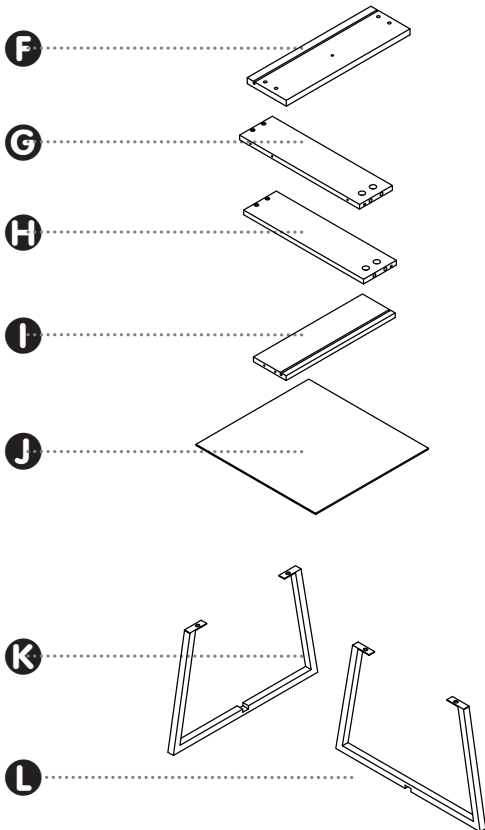
TABLE TOP



YOU WILL NEED FOR ASSEMBLY:
(not included)

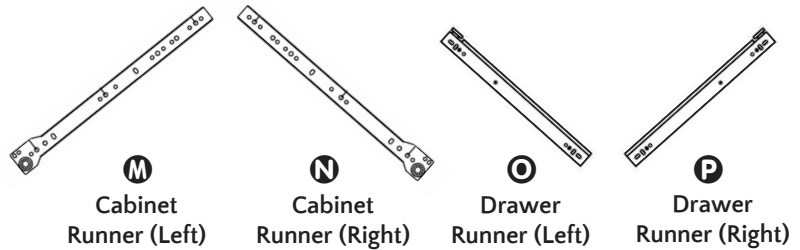
Phillips-head
Screwdriver

DRAWER



BALKENE —HOME—

PART	DESCRIPTION	QUANTITY
A	Top Panel	1
B	Bottom Panel	1
C	Left Side	1
D	Right Side	1
E	Back Panel	1
F	Drawer Front	1
G	Drawer Side (Left)	1
H	Drawer Side (Right)	1
I	Drawer Back	1
J	Drawer Bottom	1
K	Outer Leg	1
L	Inner Leg	1



HARDWARE CONTENTS



1
Cam Bolt
Qty: 8



2
Cam Lock Nut
Qty: 8



3
Dowel
Qty: 4



4
Screw M4x30mm
Qty: 4



5
Screw M3.5x12
Qty: 12



6
Screw M4x40mm
Qty: 4



7
Bolt M4x20mm
Qty: 1



8
Knob
Qty: 1



9
Bolt M6x12mm
Qty: 4

BALKENE

—HOME—

ASSEMBLY PREPARATION

Before beginning assembly, be sure to empty contents of carton and make sure all parts are present. If any parts are missing, please contact Customer Service before proceeding.

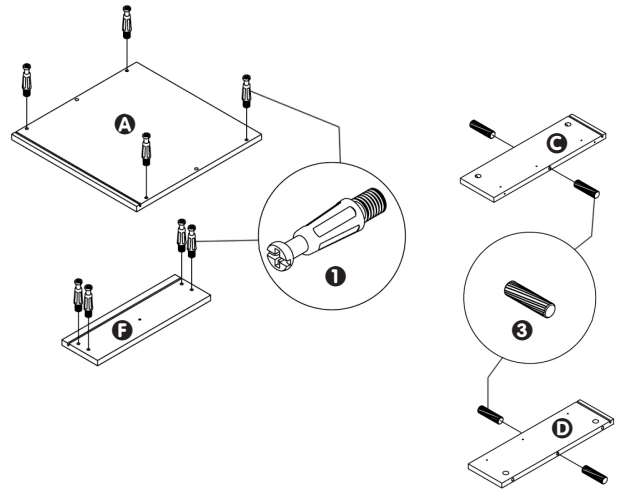
Place all parts on a soft, level surface for assembly. You will need a **Phillips-head screwdriver** for assembly.

Estimated Assembly Time: 30 Minutes | DO NOT over-tighten hardware!

1 Locate the **Table Top (A)** and **Drawer Front (F)**. Insert **Cam Bolts (1)** into the holes as shown.

Locate **Left Side (C)** and **Right Side (D)** and insert **Dowels (3)** into the center holes at the top and bottom edges as shown.

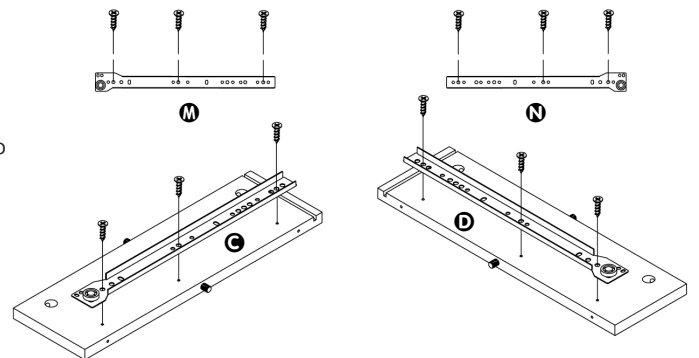
Hardware Used: **1** Cam Bolt x 8
 3 Dowel x 4



2 Align the **Cabinet Runner (Left) (M)** with the holes in the interior face of the **Left Side (C)**. Fasten using 3 **Screws (5)** as shown in the the screw placement diagram.

Repeat the above steps to attach the **Cabinet Runner (Right) (N)** to the **Right Side (D)**.

Hardware Used: **5** Screw (M3.5x12mm) x 6

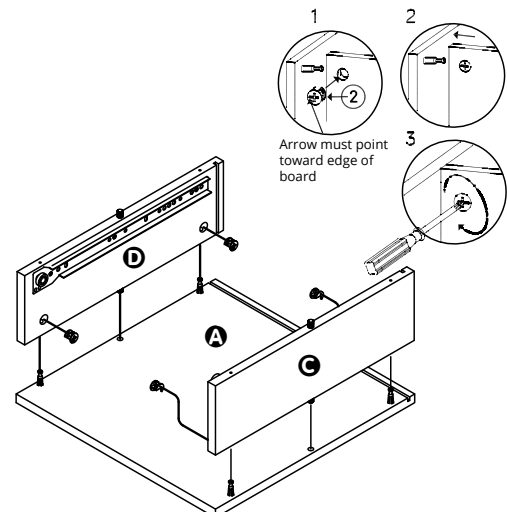


3 Insert **Cam Lock Nuts (2)** into the corresponding holes above the installed **Cabinet Runners** on each **Side**. Rotate each **Cam Lock Nut** so the arrow (at one point of the Phillips head cross marking) points toward the adjacent hole in the edge of the panel as shown.

Align the holes in the edge of **Right Side (D)** with the **Cam Bolts** previously installed in the **Top Panel**. Slide the **Right Side** onto the **Cam Bolts** and secure by turning the **Cam Lock Nuts** 1/4 turn until they engage.

Repeat this process to install the **Left Side (C)**.

Hardware Used: **2** Cam Lock Nut x 4



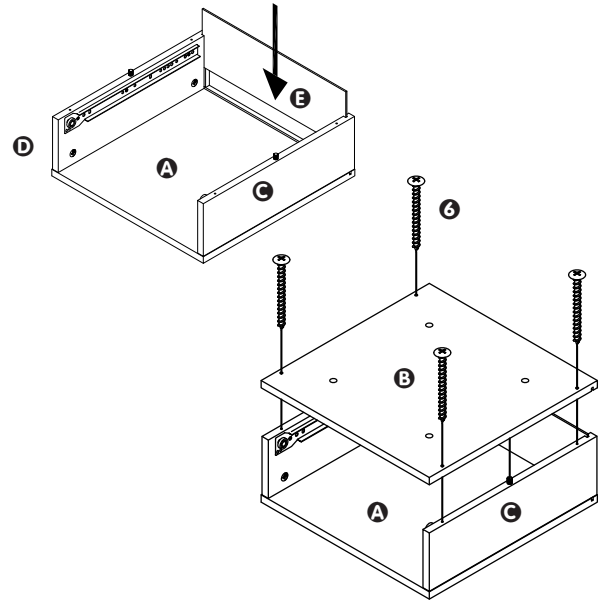
ASSEMBLY

BALKENE —HOME—

4 Slide **Back Panel ⑤** into position in the grooves at one end of the drawer.
Locate **Table Bottom ③**. Position so holes in **Table Bottom** align with holes in edges of **Table Sides** and corners are flush and previously-installed **Dowels** are inserted into the middle hole on each side of the inside of the **Table Bottom**.

Insert **4 Screws ⑥** through the 4 holes drilled in the **Table Bottom** and into the holes drilled in the **Table Sides**. Tighten with a screwdriver. Do not overtighten.

Hardware Used: **⑥** Screw (M4x40mm) x 4

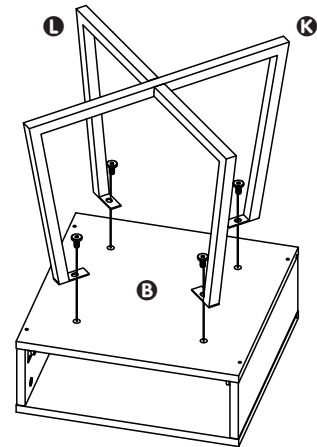


5 Install the **Inner Leg ①** by finding the holes drilled near one end and aligning them with the holes drilled in the **Table Bottom Panel ③**. Insert **4 Bolts ②** through the **Leg Frame** and into the **Table Top** and **Table Bottom**.

Partially tighten using the **Hex Key ①**. Do not fully tighten until entire base is attached.

Repeat to install the **Outer Leg ③**. Partially tighten **Bolts**. Carefully turn the unit upright. Check for levelness, then fully tighten all 4 base **Bolts**.

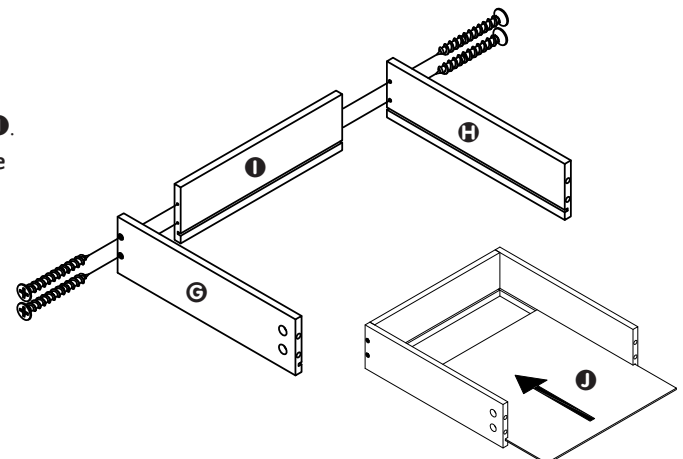
Hardware Used: **②** Bolt (M6x12) x 4



6 Assemble the drawer: locate **Drawer Sides ⑧/⑨** and **Drawer Back ①**. With the grooves on both **Sides** facing *in*, connect each **Drawer Side** to **Drawer Back** using **2 Screws ④** as shown. Tighten using a screwdriver.

Insert the **Drawer Bottom ②** into the groove along the bottom inner edge of the assembled panels.

Hardware Used: **④** Screw (M4x30mm) x 4



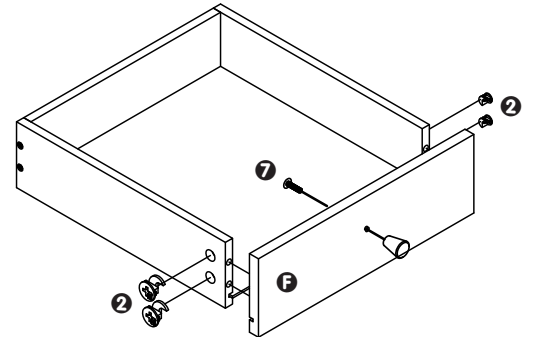
ASSEMBLY

BALKENE —HOME—

7 Prepare to install the **Drawer Front ⑥** by inserting a **Cam Lock Nut ②** into each of the 4 holes near the open front of the drawer. Rotate until the small arrow points toward the adjoining hole in the edge of the drawer side.

Insert the previously-installed **Cam Bolts** in the **Drawer Front** into the holes at the front edge of each **Drawer Side**, then use a screwdriver to turn the **Cam Bolts** clockwise until they catch.

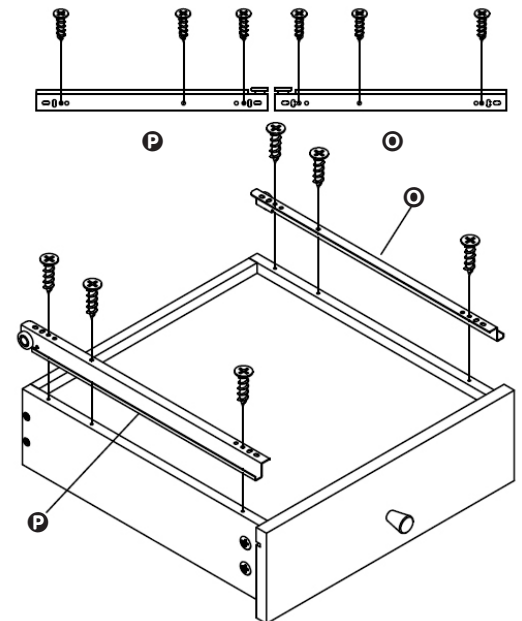
Install the drawer **Knob 8** by inserting the **Bolt ⑦** through the hole at the center of the **Drawer Front**, then screwing the **Knob** onto the threads of the **Bolt**.



Hardware Used: **②** Cam Lock Nut × 4
 ⑦ Bolt (M4x20mm) × 1
 ⑧ Knob × 1

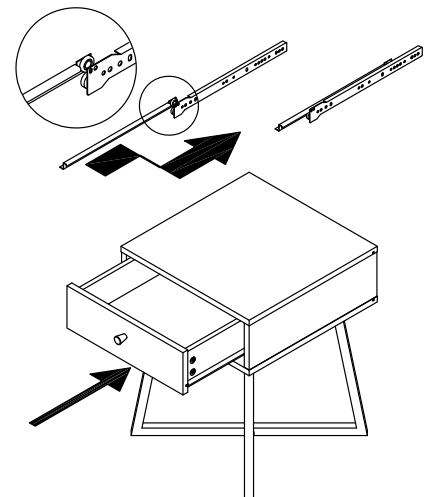
8 Attach the **Drawer Runners ①/②** to the bottom edge of each **Drawer Side** using 3 **Screws ⑤** per **Runner** as shown. The wheel on each runner should be installed toward the *back* of the drawer.

Hardware Used: **⑤** Screw (M3.5x12mm) × 6



9 Insert the drawer into the assembled table by aligning the **Drawer Runners** with the **Cabinet Runners** as shown.

Your **Astoria End Table** is now ready for use!



BALKENE —HOME—



LIMITED WARRANTY

Customers in the Contiguous US

With proof of purchase from an authorized retailer, this product is warranted for a period of 1 year from original purchase date against defects in materials and workmanship under normal use. This warranty does NOT cover normal wear/weathering, exposure to water, freezing temperatures, oils, fluids, or chemicals OR use in a commercial context if the unit is not designated as a commercial model. At Well Traveled Living's sole discretion, products under warranty will be repaired and/or replaced at no charge to the customer. Returns sent back to Well Traveled Living must be sent via prepaid freight in the original retail packaging.

For warranty service, contact Balkene Home/Well Traveled Living at the address, phone numbers or website and email listed in this owner's manual. Be sure to have your sales receipt, date of purchase and catalogue/model numbers available when calling. All warranty service will be coordinated by Well Traveled Living's Amelia Island, Florida service center. This warranty is extended only to the original owner. Proof of purchase will be required before warranty service is rendered. The sales receipt is the only valid proof of purchase. This warranty only covers failures due to defects in materials or workmanship which occur during normal use. Failures and/or damage which result from accident, negligence, misuse, abuse, neglect, mishandling, alteration or modification, failure to maintain, improper assembly or maintenance, service by unauthorized agency or use of unauthorized components or damage that is attributable to acts of God are NOT covered.

This limited warranty gives you specific legal rights and you may also have other rights which vary from jurisdiction to jurisdiction. The provisions of the United Nations Convention on Contracts for the Sales of Goods shall not apply to this limited warranty or the sale of products covered by this limited warranty.

- THERE ARE NO EXPRESS WARRANTIES EXCEPT AS LISTED.
- PURCHASER ASSUMES ALL RISKS IN THE ASSEMBLY AND OPERATION OF THIS UNIT.
- FAILURE TO FOLLOW WARNINGS AND OPERATIONAL INSTRUCTIONS CONTAINED IN THIS MANUAL CAN RESULT IN SEVERE PROPERTY DAMAGE AND/OR PERSONAL INJURY.
- IN NO EVENT WILL WELL TRAVELED LIVING, OR ITS DIRECTORS, OFFICERS OR AGENTS BE LIABLE TO THE PURCHASER OR ANY THIRD PARTY, WHETHER IN CONTRACT, IN TORT, OR ON ANY OTHER BASIS, FOR ANY INDIRECT, SPECIAL, PUNITIVE, EXEMPLARY, CONSEQUENTIAL, OR INCIDENTAL LOSS, COST, OR DAMAGE ARISING OUT OF OR IN CONNECTION WITH THE SALE, MAINTENANCE, USE, OR INABILITY TO USE THE PRODUCT, EVEN IF WELL TRAVELED LIVING OR ITS DIRECTORS, OFFICERS OR AGENTS HAVE BEEN ADVISED OF THE POSSIBILITY OF SUCH LOSSES, COSTS OR DAMAGES, OR IF SUCH LOSSES, COSTS, OR DAMAGES ARE FORESEEABLE. IN NO EVENT WILL WELL TRAVELED LIVING, OR ITS OFFICERS, DIRECTORS, OR AGENTS BE LIABLE FOR ANY DIRECT LOSSES, COSTS OR DAMAGES THAT EXCEED THE PURCHASE PRICE OF THE PRODUCT.
- SOME JURISDICTIONS DO NOT ALLOW THE EXCLUSION OR LIMITATION OF INCIDENTAL OR CONSEQUENTIAL DAMAGES, SO THE ABOVE LIMITATION OR EXCLUSION MAY NOT APPLY TO THE PURCHASER.

EXTEND YOUR WARRANTY

When you purchase a Fire Sense or Balkene Home product from any authorized retailer, you'll have peace of mind in knowing that it comes with a one-year warranty. Extend your warranty for *an additional year* when you review your item at balkenehome.com within 365 days of purchase.



Important Notice

Do NOT return to place of purchase—for customer service and warranty issues:

Call toll-free
Email
Live chat

(866) 985-7877
cservice@welltraveled.net
balkenehome.com

9 am – 9 pm, EST
9 am – 6 pm, EST, Mon – Fri

Distributed by:
Well Traveled Living
716 S 8th Street, Amelia Island, FL 32034
balkenehome.com
cservice@welltraveled.net
(866) 985-7877