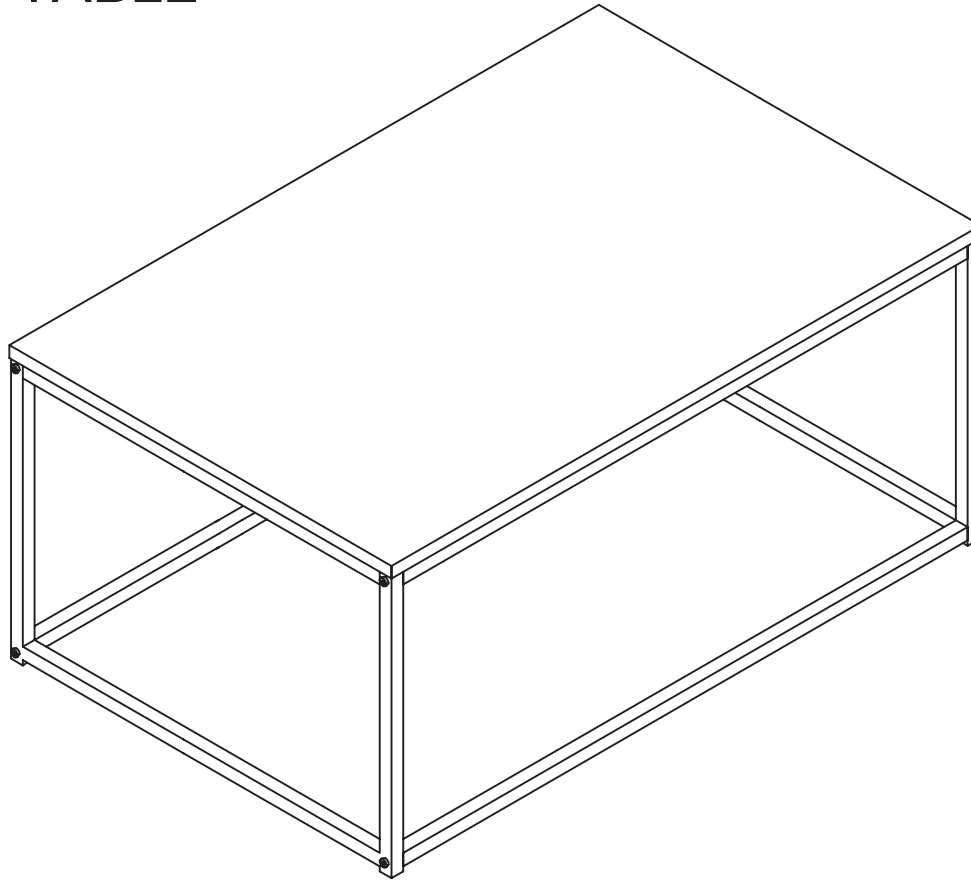


TRIBECA COLLECTION
COFFEE TABLE

Item#: 62761



ATTACH YOUR RECEIPT HERE

Keep a copy of your proof of purchase or order confirmation which will be needed if you need to contact us about warranty coverage.

Purchase Date: _____



SAVE THESE INSTRUCTIONS FOR FUTURE REFERENCE.



Questions, problems, missing parts?

Before returning to your retailer, our exceptional customer service is available.

Call toll-free **(866) 985-7877**

9 a.m. – 9 p.m., EST

Email **cservice@welltraveled.net**

Live chat **www.balkenehome.com**

9 a.m. – 6 p.m., EST, Monday – Friday



BEFORE YOU BEGIN

Before beginning assembly, make sure all parts are present. Compare parts received with the “Parts List.” If any part is missing or damaged, do NOT attempt to assemble the product. Please read and understand this entire manual before attempting to assemble, operate or install this product. If you have any questions regarding the product, please contact Customer Service:

Call toll-free	(866) 985-7877	9 a.m. – 9 p.m., EST
Email	cservice@welltraveled.net	
Live chat	www.balkenehome.com	9 a.m. – 6 p.m., EST, Monday – Friday



GENERAL INFORMATION

This item is made of hollow board and a metal frame. For safe assembly, set up on a dry, soft, secure and clean surface. Do not clean with detergent or chemicals. Do not sit or stand on the table. Do not place hot items such as coffee cups directly on the surface of this furniture item. Keep away from direct sunlight and water. Do not drag the table. For indoor use only.



SAFETY INFORMATION

WARNING

DO NOT sit or stand or allow children to sit or stand on the assembled product. Make sure connectors are securely in place. Perform periodic checks to make sure the connectors are secure and adjust if needed. Keep unassembled parts and hardware away from children and infants. This package contains small parts and sharp points. Adult assembly required.

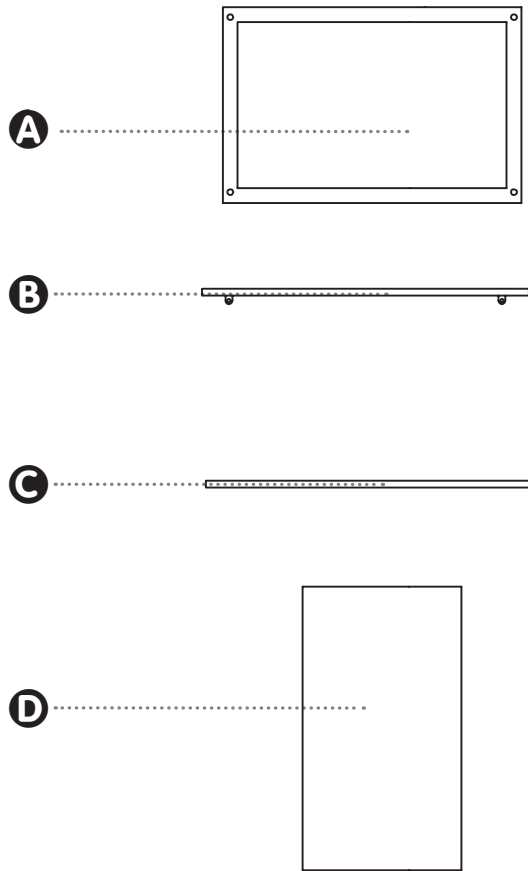
CAUTION

READ all instructions before beginning assembly. Failure to do so may result in faulty assembly and potential injury. Assemble the item on a soft, non-abrasive surface such as carpet or cardboard to avoid damaging the item.

Max safe load limit: 30 KG / 66 LB

PARTS LIST

BALKENE —HOME—



PART	DESCRIPTION	QUANTITY
A	Frame Side	2
B	Top Support	2
C	Base Support	2
D	Tabletop	1



HARDWARE CONTENTS



E
Bolt M8x35mm
Qty: 8



F
Bolt M6x12mm
Qty: 4



G
Lock Washer
Qty: 8



H
Hex Key
Qty: 1

PREPARATION

Before beginning assembly, be sure to empty contents of carton and make sure all parts are present. If any parts are missing, please contact Customer Service before proceeding.

Place all parts on a soft, level surface for assembly.

Estimated Assembly Time: 20 Minutes | DO NOT over-tighten hardware!

ASSEMBLY

BALKENE —HOME—

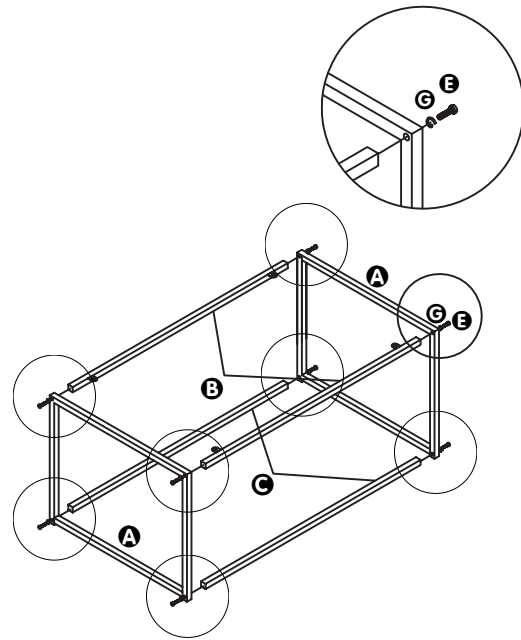
1 Prepare to assemble the table base by placing **Lock Washers** **G** on all 8 **Bolts** **B**. Consult the diagram for proper alignment and orientation of each support piece.

Align the hole in the end of 1 **Top Support** **B** with the hole at the corner of 1 **Frame Side** **A**. Orient the **Top Support** so the 2 tabs along the side are at the top edge and facing toward the inside as shown. Connect the two pieces using a **Bolt+Lock Washer** **B+G**. Tighten gently using the **Hex Key** **H**.

Join the opposite end of the **Top Support** to the other **Frame Side** using a second **Bolt+Lock Washer**. Tighten gently using the **Hex Key**. The table frame should now stand on its own as you connect the remaining supports as shown.

Once all 8 joints have been connected with a **Bolt+Lock Washer**, fully tighten all hardware using the **Hex Key**.

Hardware Used: **B Bolt (M8x35mm) × 8**
G Lock Washer × 8

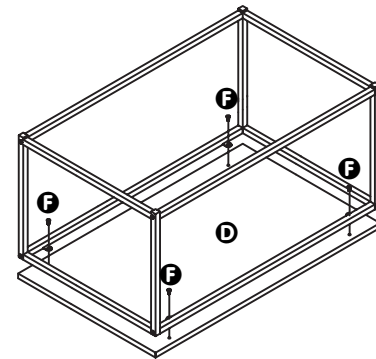


2 Place the **Tabletop** **D** upside-down on a level surface. Carefully turn the assembled table frame upside-down (so the tabs on the **Top Supports** are at the bottom of the frame) and place it on the **Tabletop**. Align the 4 tabs with the 4 holes in the **Tabletop**.

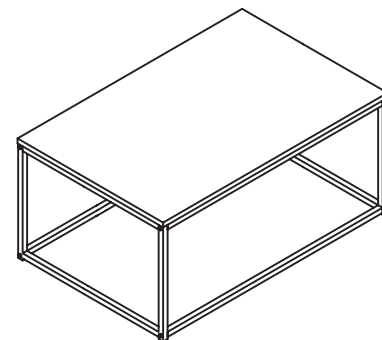
Insert a **Bolt** **F** through each tab and into the **Tabletop**. Tighten with the **Hex Key**.

Check that all hardware is securely fastened.

Hardware Used: **F Bolt (M6x12mm) × 4**



3 Carefully turn the assembled table upright. Your **Tribeca Coffee Table** is ready for use!



BALKENE —HOME—



LIMITED WARRANTY

Customers in the Contiguous US

With proof of purchase from an authorized retailer, this product is warranted for a period of 1 year from original purchase date against defects in materials and workmanship under normal use. This warranty does NOT cover normal wear/weathering, exposure to water, freezing temperatures, oils, fluids, or chemicals OR use in a commercial context if the unit is not designated as a commercial model. At Balkene Home's sole discretion, products under warranty will be repaired and/or replaced at no charge to the customer. Returns sent back to Well Traveled Living must be sent via prepaid freight in the original retail packaging.

For warranty service, contact Balkene Home at the address, phone numbers or website and email listed in this owner's manual. Be sure to have your sales receipt, date of purchase and catalogue/model numbers available when calling. All warranty service will be coordinated by Balkene Home's Amelia Island, Florida service center. This warranty is extended only to the original owner. Proof of purchase will be required before warranty service is rendered. The sales receipt is the only valid proof of purchase. This warranty only covers failures due to defects in materials or workmanship which occur during normal use. Failures and/or damage which result from accident, negligence, misuse, abuse, neglect, mishandling, alteration or modification, failure to maintain, improper assembly or maintenance, service by unauthorized agency or use of unauthorized components or damage that is attributable to acts of God are NOT covered.

This limited warranty gives you specific legal rights and you may also have other rights which vary from jurisdiction to jurisdiction. The provisions of the United Nations Convention on Contracts for the Sales of Goods shall not apply to this limited warranty or the sale of products covered by this limited warranty.

- THERE ARE NO EXPRESS WARRANTIES EXCEPT AS LISTED.
- PURCHASER ASSUMES ALL RISKS IN THE ASSEMBLY AND OPERATION OF THIS UNIT.
- FAILURE TO FOLLOW WARNINGS AND OPERATIONAL INSTRUCTIONS CONTAINED IN THIS MANUAL CAN RESULT IN SEVERE PROPERTY DAMAGE AND/OR PERSONAL INJURY.
- IN NO EVENT WILL BALKENE HOME/WELL TRAVELED LIVING, OR ITS DIRECTORS, OFFICERS OR AGENTS BE LIABLE TO THE PURCHASER OR ANY THIRD PARTY, WHETHER IN CONTRACT, IN TORT, OR ON ANY OTHER BASIS, FOR ANY INDIRECT, SPECIAL, PUNITIVE, EXEMPLARY, CONSEQUENTIAL, OR INCIDENTAL LOSS, COST, OR DAMAGE ARISING OUT OF OR IN CONNECTION WITH THE SALE, MAINTENANCE, USE, OR INABILITY TO USE THE PRODUCT, EVEN IF BALKENE HOME/WELL TRAVELED LIVING OR ITS DIRECTORS, OFFICERS OR AGENTS HAVE BEEN ADVISED OF THE POSSIBILITY OF SUCH LOSSES, COSTS OR DAMAGES, OR IF SUCH LOSSES, COSTS, OR DAMAGES ARE FORESEEABLE. IN NO EVENT WILL BALKENE HOME/WELL TRAVELED LIVING, OR ITS OFFICERS, DIRECTORS, OR AGENTS BE LIABLE FOR ANY DIRECT LOSSES, COSTS OR DAMAGES THAT EXCEED THE PURCHASE PRICE OF THE PRODUCT.
- SOME JURISDICTIONS DO NOT ALLOW THE EXCLUSION OR LIMITATION OF INCIDENTAL OR CONSEQUENTIAL DAMAGES, SO THE ABOVE LIMITATION OR EXCLUSION MAY NOT APPLY TO THE PURCHASER.

EXTEND YOUR WARRANTY

When you purchase a Fire Sense or Balkene Home product from any authorized retailer, you'll have peace of mind in knowing that it comes with a one-year warranty. Extend your warranty for *an additional year* when you review your item at balkenehome.com within 365 days of purchase.



Important Notice

Do NOT return to place of purchase—for customer service and warranty issues:

Call toll-free (866) 985-7877 9 a.m. – 9 p.m., EST
Email cservice@welltraveled.net
Live chat balkenehome.com 9 a.m. – 6 p.m., EST, Monday – Friday

Distributed by:
Balkene Home

716 S 8th Street, Amelia Island, FL 32034
balkenehome.com
cservice@welltraveled.net
(866) 985-7877