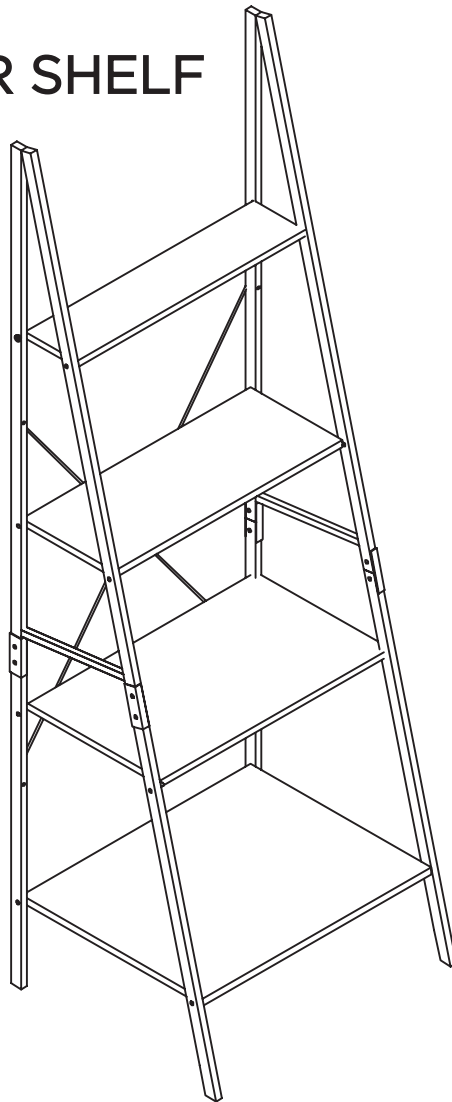


TRIBECA COLLECTION  
**A-FRAME LADDER SHELF**

Item#: 62758



**ATTACH YOUR RECEIPT HERE**

Keep a copy of your proof of purchase or order confirmation which will be needed if you need to contact us about warranty coverage.

Purchase Date: \_\_\_\_\_



**SAVE THESE INSTRUCTIONS FOR FUTURE REFERENCE.**



**Questions, problems, missing parts?**

Before returning to your retailer, our exceptional customer service is available.

Call toll-free **(866) 985-7877**

9 a.m. – 9 p.m., EST

Email **[cservice@welltraveled.net](mailto:cservice@welltraveled.net)**

Live chat **[www.balkenehome.com](http://www.balkenehome.com)** 9 a.m. – 6 p.m., EST, Monday – Friday



## BEFORE YOU BEGIN

Before beginning assembly, make sure all parts are present. Compare parts received with the “Parts List.” If any part is missing or damaged, do NOT attempt to assemble the product. Please read and understand this entire manual before attempting to assemble, operate or install this product. If you have any questions regarding the product, please contact Customer Service:

Call toll-free	<b>(866) 985-7877</b>	9 a.m. – 9 p.m., EST
Email	<b><a href="mailto:cservice@welltraveled.net">cservice@welltraveled.net</a></b>	
Live chat	<b><a href="http://www.balkenehome.com">www.balkenehome.com</a></b>	9 a.m. – 6 p.m., EST, Monday – Friday



## GENERAL INFORMATION

This item is made of hollow board and a metal frame. For safe assembly, set up on a dry, soft, secure and clean surface. Do not clean with detergent or chemicals. Do not sit or stand on the ladder shelf. Do not place hot items such as coffee cups directly on the surface of this furniture item. Keep away from direct sunlight and water. Do not drag the ladder shelf. For indoor use only.



## SAFETY INFORMATION

### WARNING

This item is for storage/display of objects. Do NOT use as a step or ladder. DO NOT sit, stand, or climb or allow children to sit, stand, or climb on the assembled product. Make sure connectors are securely in place. After assembly, anchor the shelf to the wall for additional security, especially in environments with small children or pets. Perform periodic checks to make sure the assembly connectors and anchors are secure and adjust if needed. Keep unassembled parts and hardware away from children and infants. This package contains small parts and sharp points. Adult assembly required.

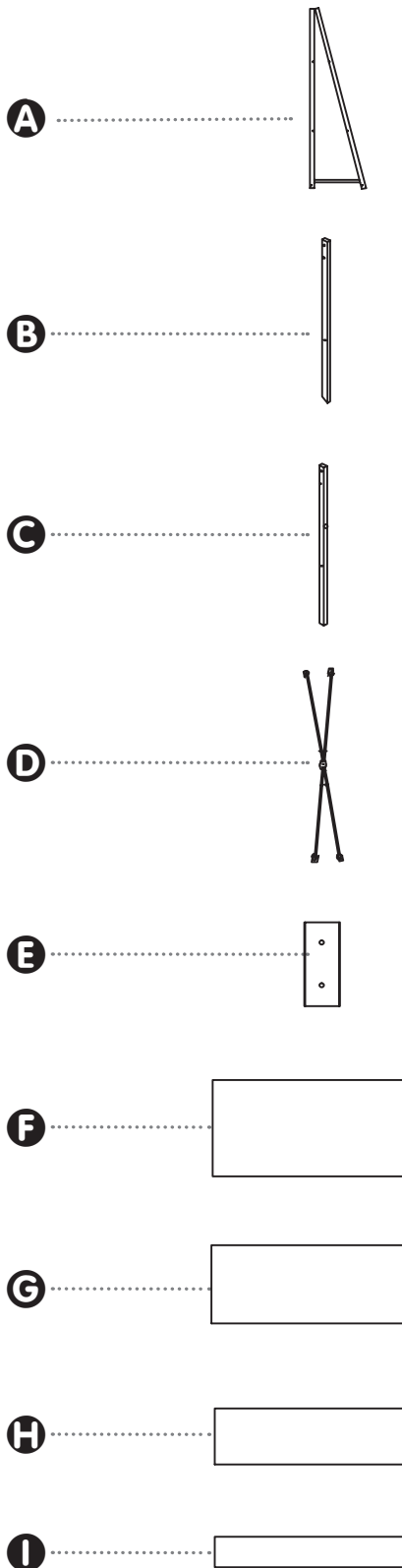
### CAUTION

READ all instructions before beginning assembly. Failure to do so may result in faulty assembly and potential injury. Assemble the item on a soft, non-abrasive surface such as carpet or cardboard to avoid damaging the item.

Max safe load limit: 6 KG / 13 LB per shelf and 24 KG / 53 LB in total.

# PARTS LIST

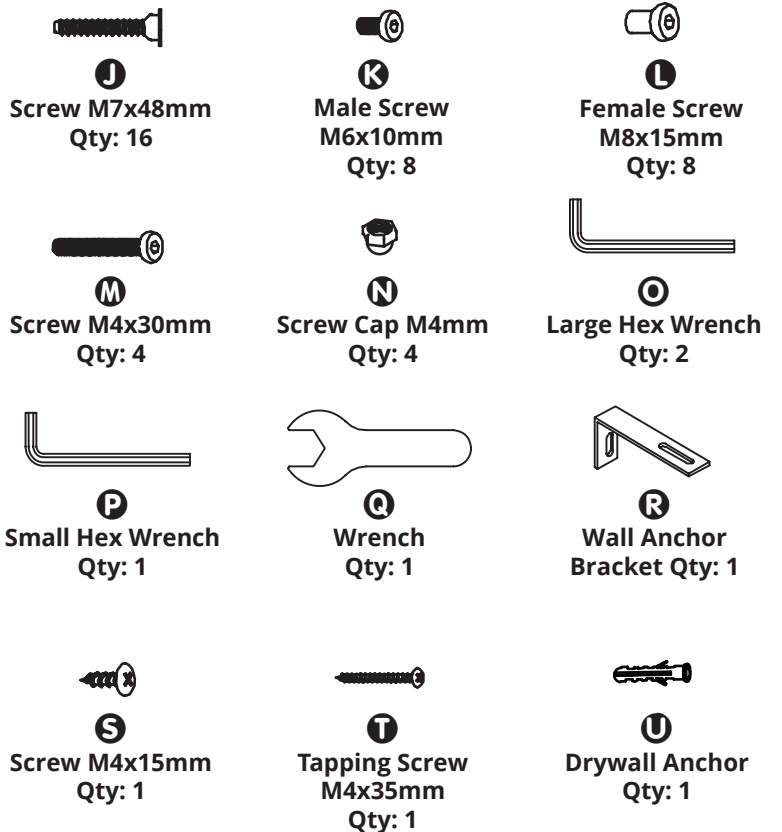
# BALKENE —HOME—



PART	DESCRIPTION	QUANTITY
<b>A</b>	A-Frame Top	2
<b>B</b>	Front Frame Leg	2
<b>C</b>	Back Frame Leg	2
<b>D</b>	X-Brace	1
<b>E</b>	Joint Bracket	4
<b>F</b>	Bottom Shelf	1
<b>G</b>	2nd Shelf	1
<b>H</b>	3rd Shelf	1
<b>I</b>	Top Shelf	1



## HARDWARE CONTENTS



# ASSEMBLY

# BALKENE —HOME—

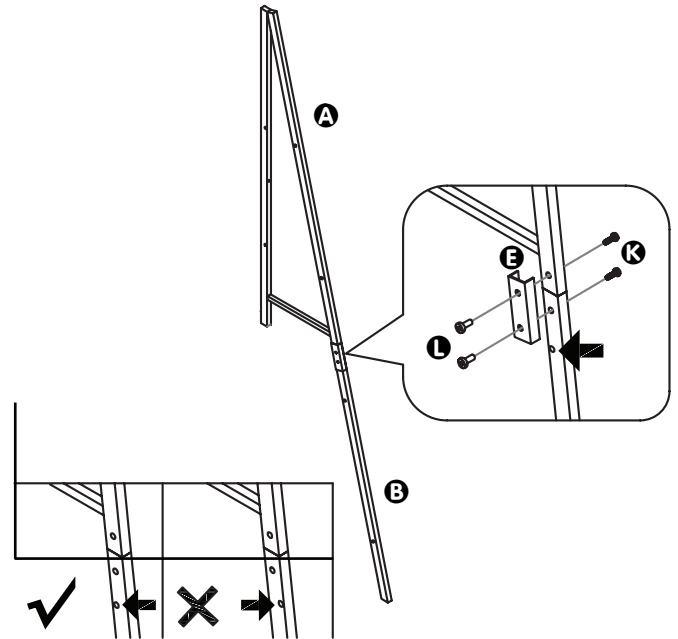
## PREPARATION

Before beginning assembly, be sure to empty contents of carton and make sure all parts are present. If any parts are missing, please contact Customer Service before proceeding.

Place all parts on a soft, level surface for assembly. Estimated Assembly Time: 40 Minutes | DO NOT over-tighten hardware.

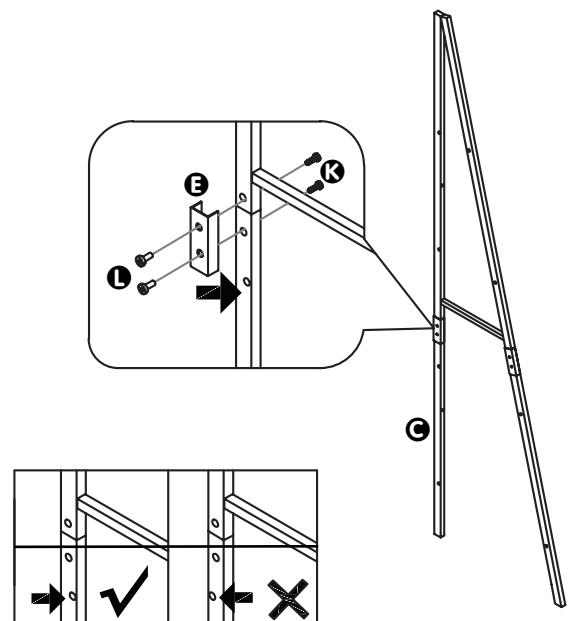
- 1** Locate one **A-Frame Top** **A** and one **Front Frame Leg** **B**. (HINT: the **Front Frame Legs** are slightly longer than the **Back Frame Legs**.) Place the **A-Frame Top** flat on the ground with the 90° angle to the left. Align the **Front Frame Leg** to the right side of the **A-Frame Top** as shown. (Check orientation by comparing the drilled holes to the inset drawing *below right*.) Connect the pieces by fitting the **Joint Bracket** **E** over the joint (matching the holes in the **Joint Bracket** with the holes in the two frame pieces where they meet). Insert 2 **Female Screws** **L** through the **Joint Bracket** and into the frame. Insert 2 **Male Screws** **K** from the opposite side, as shown. Tighten each **Male Screw** into the corresponding **Female Screw** using the **Hex Key** **O**.

**Hardware Used:**      **K** Male Screw (6x10mm) x 2  
                                 **L** Female Screw (8x15mm) x 2



- 2** Finish assembling the first A-Frame by connecting the **Back Frame Leg** **C**. Align the **Back Frame Leg** with the **A-Frame Top** as shown. (Check orientation by comparing the drilled holes to the inset drawing *below right*.) Connect the pieces by fitting the **Joint Bracket** **E** over the joint (matching the holes in the **Joint Bracket** with the holes in the two frame pieces where they meet). Insert 2 **Screws** **L** through the **Joint Bracket** and into the frame. Insert 2 **Screws** **K** from the opposite side, as shown. Tighten hardware using the **Hex Key** **O**.

**Hardware Used:**      **K** Male Screw (6x10mm) x 2  
                                 **L** Female Screw (8x15mm) x 2



The *left* A-Frame is now complete. Assemble the *right* A-Frame by following the same steps described above, but be sure to place the **Joint Brackets** on the opposite side of the joints (the **Joint Brackets** on each A-Frame should face outwards, AWAY from the shelves supported by the A-Frames.)

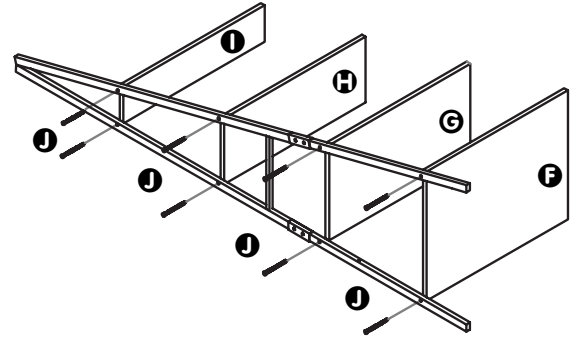
**Hardware Used:**      **K** Male Screw (6x10mm) x 4  
                                 **L** Female Screw (7x48mm) x 4

# ASSEMBLY

# BALKENE —HOME—

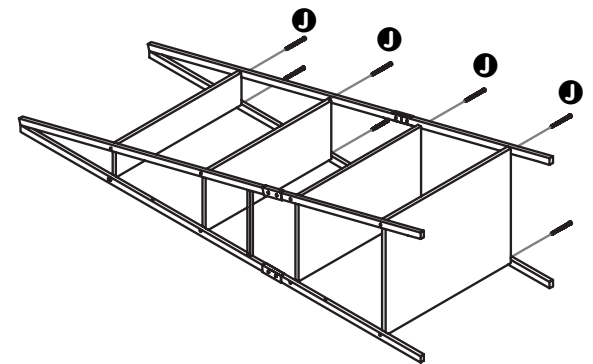
**3** Attach the shelves to the *left* A-Frame by aligning the **Shelves ①④⑥⑦** with the appropriate set of holes in the A-Frame and inserting 2 **Screws ①** through the frame and into each **Shelf** as shown. Tighten using the **Hex Key ②**.

**Hardware Used:**      **① Screw (7x48mm) x 8**



**4** Attach the shelves to the *right* A-Frame by aligning the **Shelves ①④⑥⑦** with the appropriate set of holes in the A-Frame and inserting 2 **Screws ①** through the frame and into each **Shelf** as shown. Tighten using the **Hex Key ②**.

**Hardware Used:**      **① Screw (7x48mm) x 8**

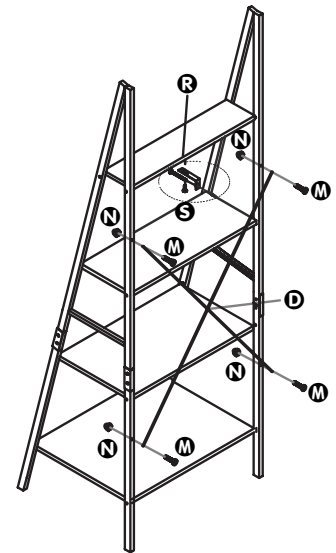


**5** Check that all hardware installed to this point is secure, then carefully stand the unit upright.

Attach the **X-Brace ⑩** to the back (vertical face) of the unit by aligning the holes in the ends of the **X-Brace** with the 4 holes drilled in the back of the A-Frames. Insert 4 **Screws ⑭** through the **X-Brace** and then through the **A-Frame**. Secure each **Screw** with a **Screw Cap ⑮** on the end. Tighten using the **Wrench ⑱**.

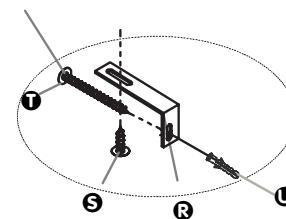
Attach the **Wall Anchor Bracket ⑲** to the underside of the top **Shelf ①** using 1 **Screw ⑳**.

**Hardware Used:**      **⑭ Screw (4x30mm) x 4**  
                              **⑮ Screw Cap (4mm) x 4**  
                              **⑲ Wall Anchor Bracket x 1**  
                              **⑳ Screw (4x15mm) x 1**



*Anchor the unit to the wall for safety. The included hardware is appropriate for drywall installation and may require the use of a drill. If needed, consult a qualified tradesperson or online resources for the appropriate steps to safely anchor this unit.*

*Attach to the wall.*



# BALKENE —HOME—



## LIMITED WARRANTY

Customers in the Contiguous US

With proof of purchase from an authorized retailer, this product is warranted for a period of 1 year from original purchase date against defects in materials and workmanship under normal use. This warranty does NOT cover normal wear/weathering, exposure to water, freezing temperatures, oils, fluids, or chemicals OR use in a commercial context if the unit is not designated as a commercial model. At Balkene Home's sole discretion, products under warranty will be repaired and/or replaced at no charge to the customer. Returns sent back to Well Traveled Living must be sent via prepaid freight in the original retail packaging.

For warranty service, contact Balkene Home at the address, phone numbers or website and email listed in this owner's manual. Be sure to have your sales receipt, date of purchase and catalogue/model numbers available when calling. All warranty service will be coordinated by Balkene Home's Amelia Island, Florida service center. This warranty is extended only to the original owner. Proof of purchase will be required before warranty service is rendered. The sales receipt is the only valid proof of purchase. This warranty only covers failures due to defects in materials or workmanship which occur during normal use. Failures and/or damage which result from accident, negligence, misuse, abuse, neglect, mishandling, alteration or modification, failure to maintain, improper assembly or maintenance, service by unauthorized agency or use of unauthorized components or damage that is attributable to acts of God are NOT covered.

This limited warranty gives you specific legal rights and you may also have other rights which vary from jurisdiction to jurisdiction. The provisions of the United Nations Convention on Contracts for the Sales of Goods shall not apply to this limited warranty or the sale of products covered by this limited warranty.

- THERE ARE NO EXPRESS WARRANTIES EXCEPT AS LISTED.
- PURCHASER ASSUMES ALL RISKS IN THE ASSEMBLY AND OPERATION OF THIS UNIT.
- FAILURE TO FOLLOW WARNINGS AND OPERATIONAL INSTRUCTIONS CONTAINED IN THIS MANUAL CAN RESULT IN SEVERE PROPERTY DAMAGE AND/OR PERSONAL INJURY.
- IN NO EVENT WILL BALKENE HOME/WELL TRAVELED LIVING, OR ITS DIRECTORS, OFFICERS OR AGENTS BE LIABLE TO THE PURCHASER OR ANY THIRD PARTY, WHETHER IN CONTRACT, IN TORT, OR ON ANY OTHER BASIS, FOR ANY INDIRECT, SPECIAL, PUNITIVE, EXEMPLARY, CONSEQUENTIAL, OR INCIDENTAL LOSS, COST, OR DAMAGE ARISING OUT OF OR IN CONNECTION WITH THE SALE, MAINTENANCE, USE, OR INABILITY TO USE THE PRODUCT, EVEN IF BALKENE HOME/WELL TRAVELED LIVING OR ITS DIRECTORS, OFFICERS OR AGENTS HAVE BEEN ADVISED OF THE POSSIBILITY OF SUCH LOSSES, COSTS OR DAMAGES, OR IF SUCH LOSSES, COSTS, OR DAMAGES ARE FORESEEABLE. IN NO EVENT WILL BALKENE HOME/WELL TRAVELED LIVING, OR ITS OFFICERS, DIRECTORS, OR AGENTS BE LIABLE FOR ANY DIRECT LOSSES, COSTS OR DAMAGES THAT EXCEED THE PURCHASE PRICE OF THE PRODUCT.
- SOME JURISDICTIONS DO NOT ALLOW THE EXCLUSION OR LIMITATION OF INCIDENTAL OR CONSEQUENTIAL DAMAGES, SO THE ABOVE LIMITATION OR EXCLUSION MAY NOT APPLY TO THE PURCHASER.

## EXTEND YOUR WARRANTY

When you purchase a Fire Sense or Balkene Home product from any authorized retailer, you'll have peace of mind in knowing that it comes with a one-year warranty. Extend your warranty for *an additional year* when you review your item at [balkenehome.com](http://balkenehome.com) within 365 days of purchase.



### Important Notice

Do NOT return to place of purchase—for customer service and warranty issues:

Call toll-free (866) 985-7877 9 a.m. – 9 p.m., EST  
Email [cservice@welltraveled.net](mailto:cservice@welltraveled.net)  
Live chat [balkenehome.com](http://balkenehome.com) 9 a.m. – 6 p.m., EST, Monday – Friday

Distributed by:  
Balkene Home

716 S 8th Street, Amelia Island, FL 32034  
[balkenehome.com](http://balkenehome.com)  
[cservice@welltraveled.net](mailto:cservice@welltraveled.net)  
(866) 985-7877