

LS(60,72)DF-1 LOGS AND ROCKS SET

INSTALLER:

Leave this manual with the appliance.

CONSUMER:

Retain this manual for future reference.

⚠ WARNING

FIRE OR EXPLOSION HAZARD

Failure to follow safety warnings exactly could result in serious injury, death or property damage.

- Do not store or use gasoline or other flammable vapors and liquids in the vicinity of this or any other appliance.
- **WHAT TO DO IF YOU SMELL GAS**
 - Do not try to light any appliance.
 - Do not touch any electrical switch; do not use any phone in your building.
 - Leave the building immediately.
 - Immediately call your gas supplier from a neighbor's phone. Follow the gas supplier's instructions.
 - If you cannot reach your gas supplier, call the fire department.
- Installation and service must be performed by a qualified installer, service agency or the gas supplier.

This decorative media set includes an unusual assortment of logs and rocks in varying textures and colors to complement your linear fireplace.

For ease of installation, unpack all pieces and lay out so that any identifying letters are visible.

LOG SET FOR USE WITH VENT-FREE FIREPLACE

MODELS:
VFLB(60,72)FP90(N,P)-1



⚠ WARNING

If not installed, operated and maintained in accordance with the manufacturer's instructions, this product could expose you to substances in fuel or from fuel combustion which can cause death or serious illness.

**NATIONAL
FIREPLACE
INSTITUTE**



CERTIFIED
www.nficertified.org

We suggest that our gas hearth products be installed and serviced by professionals who are certified in the U.S. by the National Fireplace Institute® (NFI) as NFI Gas Specialists.

TABLE OF CONTENTS

SECTION	PAGE
Important Installation Guidelines.....	3
General Information	3
Hardware Pack.....	3
Preparing the Fireplace.....	4-5
Log Identification	6
Log Placement	7-13
Optional Rock Placement.....	14
Completing Installation.....	15
Suggested Log And Rock Placement.....	16

IMPORTANT INSTALLATION GUIDELINES

PROPER LOG PLACEMENT

Log placement is critical to proper burner performance. Logs must be correctly positioned. The photos in this manual show the proper pinned position for logs and rocks on this set. Owners need to be shown proper log placement and instructed not to move the logs.

Logs and rocks must fit firmly onto the locating pins when positioned as shown in the photos. Malformed logs, or logs with sloppy pin holes must be replaced.

PROPER PLACEMENT OF CRUSHED GLASS MEDIA

This fireplace is designed to use crushed glass media around the burner. Follow the installation steps outlined in the fireplace's installation instructions for proper placement.

PROPER LOG SET OPERATION

Properly installed and maintained log sets do not deposit soot on the logs. If soot appears on a log, call for service. Do not continue to operate the fireplace.

GENERAL INFORMATION

QUALIFIED INSTALLING AGENCY

Installation and replacement of gas piping, gas utilization equipment or accessories and repair and servicing of equipment shall be performed only by a qualified agency. The term "qualified agency" means any individual, firm, corporation, or company that either in person or through a representative is engaged in and is responsible for (a) the installation, testing, or replacement of gas piping or (b) the connection, installation, testing, repair, or servicing of equipment; that is experienced in such work; that is familiar with all precautions required, and that has complied with all the requirements of the authority having jurisdiction.

The installation must conform with local codes or, in the absence of local codes, with the *National Fuel Gas Code, ANSI Z223.1/ NFPA54*.*

*Available from the American National Standards Institute, Inc. 11 1430 Broadway, New York, N.Y. 10018.

Commonwealth of Massachusetts: The installation must be made by a licensed plumber or gas fitter in the Commonwealth of Massachusetts.

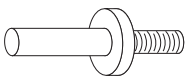
Sellers of unvented propane or natural gas-fired supplemental room heaters shall provide to each purchaser a copy of 527 CMR 30 upon sale of the unit.

APPLIANCE CERTIFICATION

This logset is design certified in accordance with American National Standard/CSA Standard ANSI Z21.11.2 and by Underwriters Laboratories for use with a Vent Free Gas Fireplace Heater and shall be installed according to these instructions.

HARDWARE PACK

HARDWARE PACK CONTENTS



1 5/8" x 1/4-20
STUD



1/4" x 5/8" OD
WASHER



1/4"-20
NUT, LOCK

Description	Quantity Supplied
1/4" - 20 x 1-5/8" Log Pin	4
1/4" x 5/8" OD Washer	4
1/4" - 20 Hex Washer	4

See Log Identification on page 6 for replacement parts. Do not order batteries, bolts, screws, washers or nuts. They are standard hardware items and available at any local hardware store.

PREPARING THE FIREPLACE

1. Remove barrier screen assembly from fireplace by lifting up slightly and pulling out. **See Figure 1.**

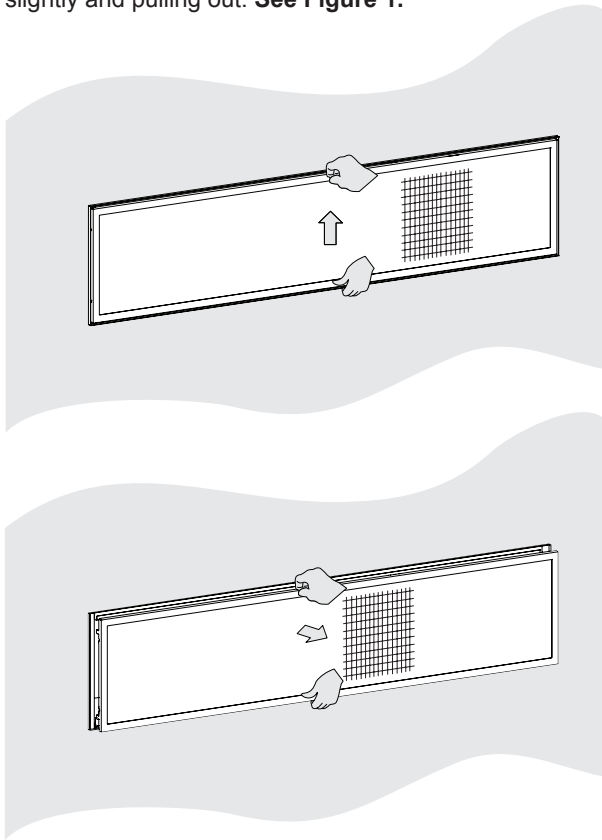


Figure 1

2. Remove glass panels around burner. Set aside. **See Figure 2.**

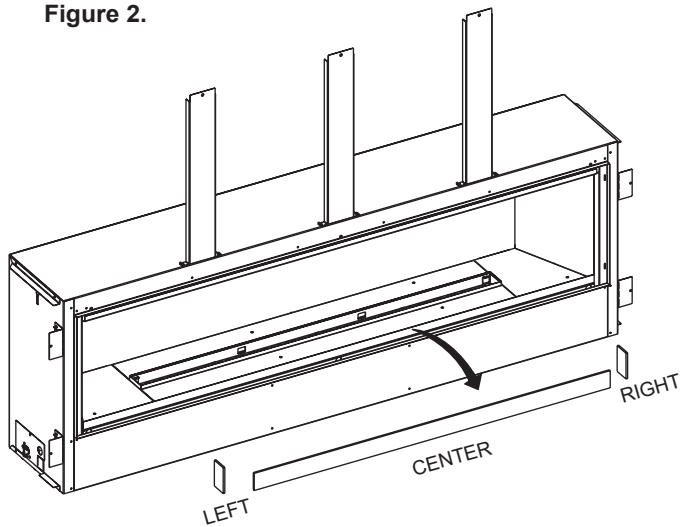


Figure 2

3. If installed, remove crushed glass from the glass support screens.

⚠ CAUTION

To prevent injury, use gloves and eye protection while removing and applying the decorative glass or droplets.

4. If installed, remove the side and rear glass support screens. **See Figure 3.**

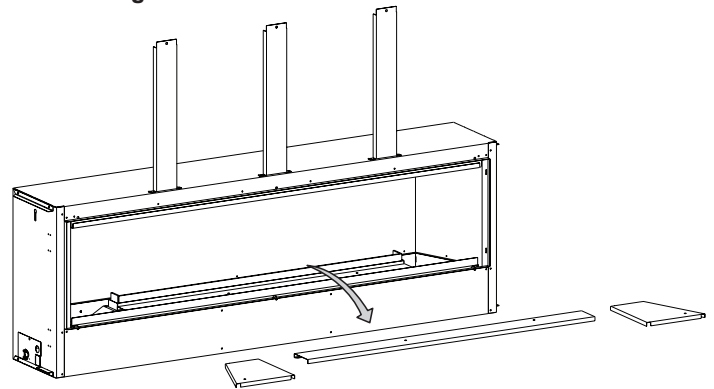


Figure 3

5. Insert two Log Pins in the holes in the rear glass support screen and secure each with a washer and nut. **See Figure 4.**
6. Insert one log pin in one hole in each side glass support screen. Secure each pin with a washer and nut. **See Figure 4.**

NOTE: For the VFLB72 left and right glass support screens. **See Figure 5** for proper pin placement.

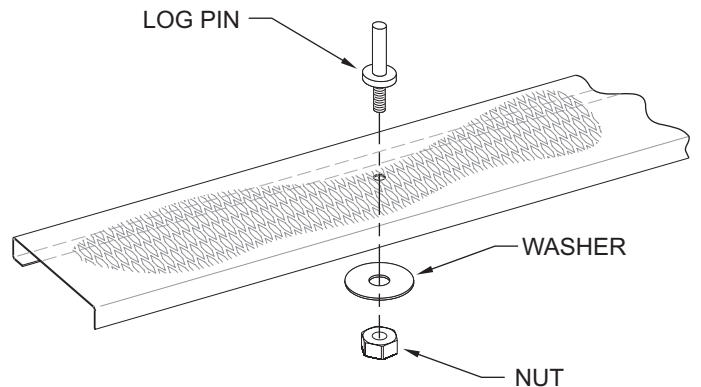


Figure 4

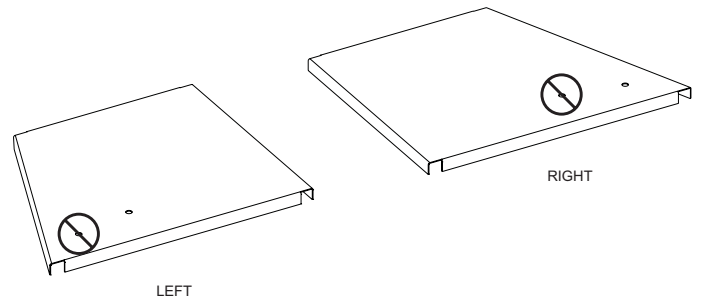


Figure 5

***For VFLB72 models only.**

PREPARING THE FIREPLACE

7. Place the glass support screens into the fireplace. See Figures 6 and 7.

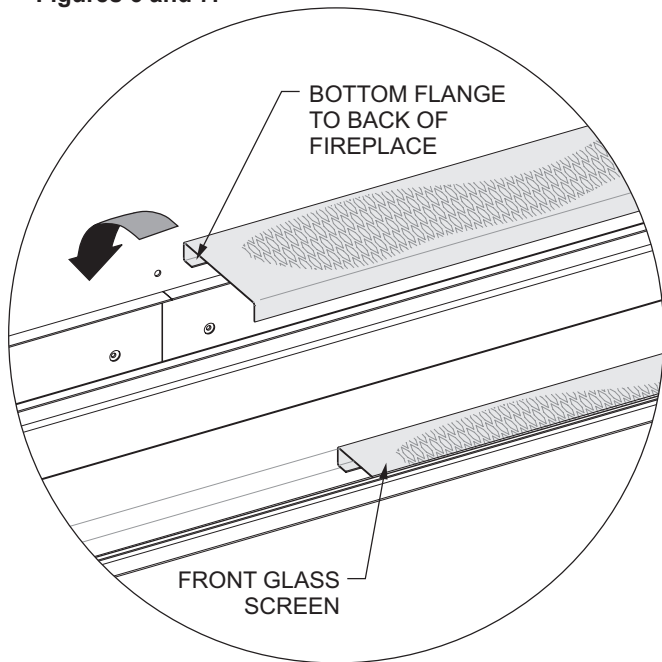


Figure 6

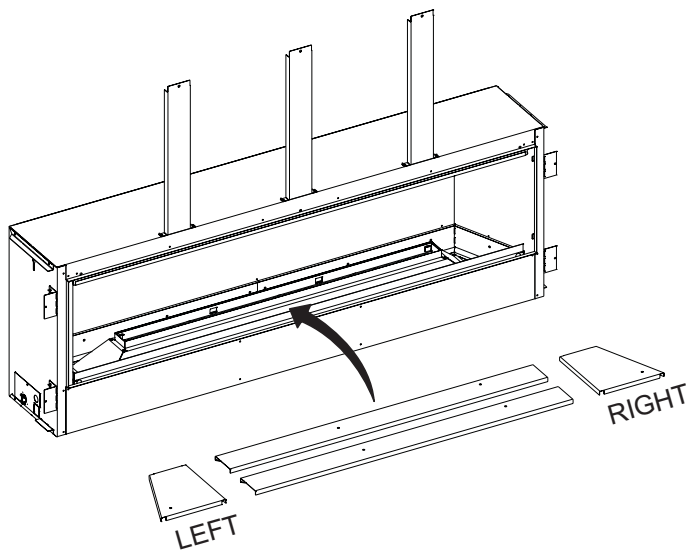


Figure 7

8. Reinstall glass panels removed in Step 2. See Figures 2.
9. Apply crushed glass to the shaded area only. See Figure 8. Use enough to cover the floor of the fireplace, but do not allow the media to reach higher than the flange surrounding the burner. Never place decorative media inside the flange surrounding the burner itself.
- This fireplace uses crushed glass. Accent glass droplets (1/2 inch) or glass drops (1 inch), and ceramic fiber rocks and pebbles may be added. Mix colors and glass types, but do not exceed the recommended amount of decorative media.

CAUTION

Glass or rocks must not be placed around the ends or over the front edge of the burner assembly. Do not restrict air flow.

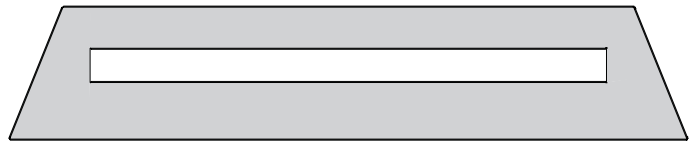


Figure 8

QUANTITY OF GLASS

Model	Amount
VFLB60FP	5 square feet
VFLB72FP	6 square feet

CAUTION

Crushed glass and Glass droplets must not be more than a single layer. Do not use more glass than recommended. Using excess glass may cause a situation where injury or property damage may occur.

CAUTION

Use only decorative rocks and glass designed for use in a fireplace. Using other materials may cause a situation where injury or property damage may occur.

WARNING

Never place media materials on or next to the burner.

CAUTION

To prevent injury, use gloves and eye protection while applying the decorative glass or droplets.

Fireplace preparation is complete. Continue with Log Placement instructions.

LOG IDENTIFICATION

DESCRIPTION AND PART NO. LS60DF	DESCRIPTION AND PART NO. LS72DF	TOP VIEW	FRONT VIEW
Log A (Left Rear) 36851	Log A (Left Rear) 36857		
Log B (Left Front) 36853	Log B (Left Front) 36853		
Log C (Left Twig) 36855	Log C (Left Twig) 36855		
Log D (Right Rear) 36852	Log D (Right Rear) 36852		
Log E (Right Front) 36854	Log E (Right Front) 36858		
Log F (Right Twig) 36856	Log F (Right Twig) 36869		
Assorted Rocks 36877	Assorted Rocks 36878		
Hardware Pack 37147			

NOTE: Logs not shown to scale.

LOG PLACEMENT

TOOLS NEEDED:

Protective Gloves

Before you begin: Do not handle these logs with your bare hands! Always wear gloves to prevent skin irritation. After handling logs, wash your hands gently with soap and water.

The positioning of the logs is critical to the safe and clean operation of this heater. Sooting and other problems may result if the logs are not properly and firmly positioned in the appliance.

Refer to Figure 9 for the following warning.

WARNING

Failure to position the parts in accordance with this diagram or failure to use only parts specifically approved with this appliance may result in property damage or personal injury.

The fully assembled log sets are shown on page 16 for additional reference during installation.

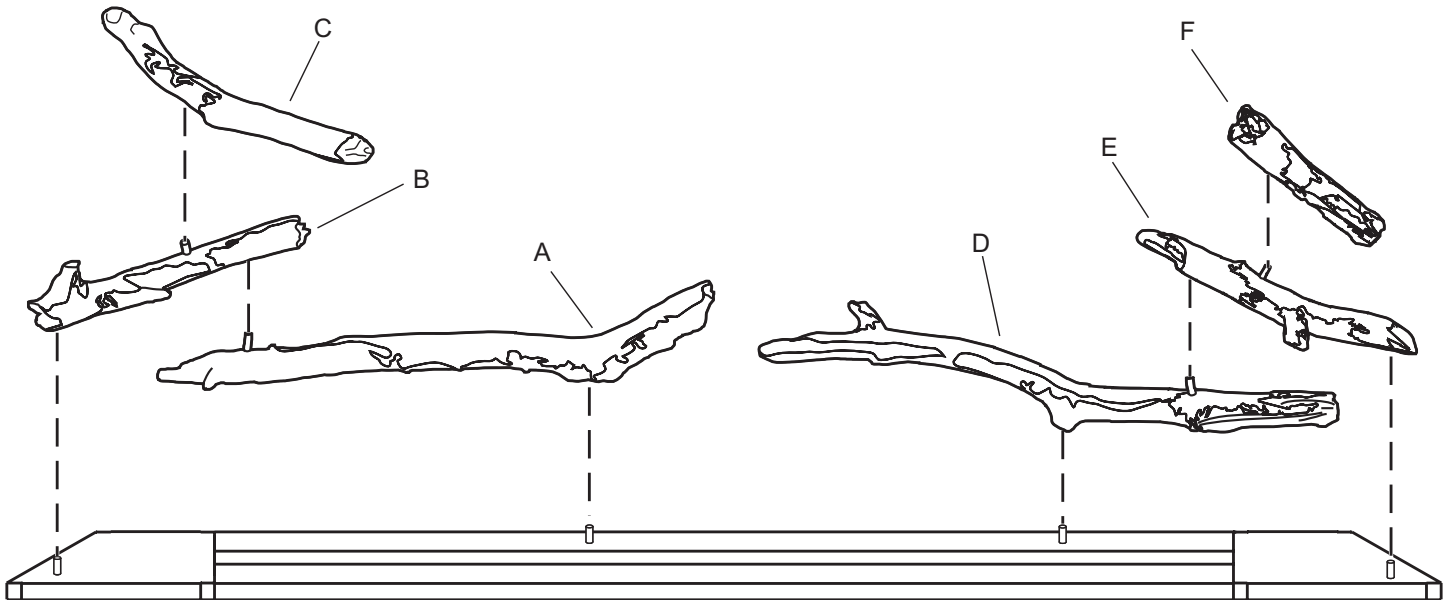
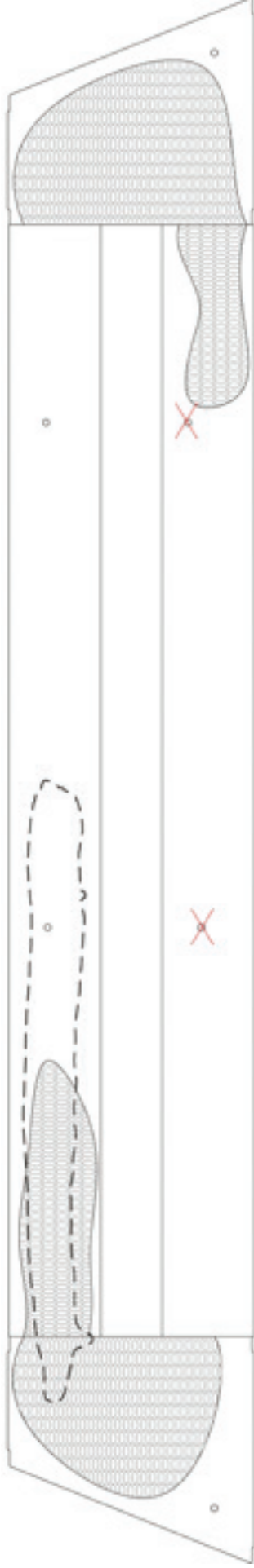


Figure 9 - Log Placement

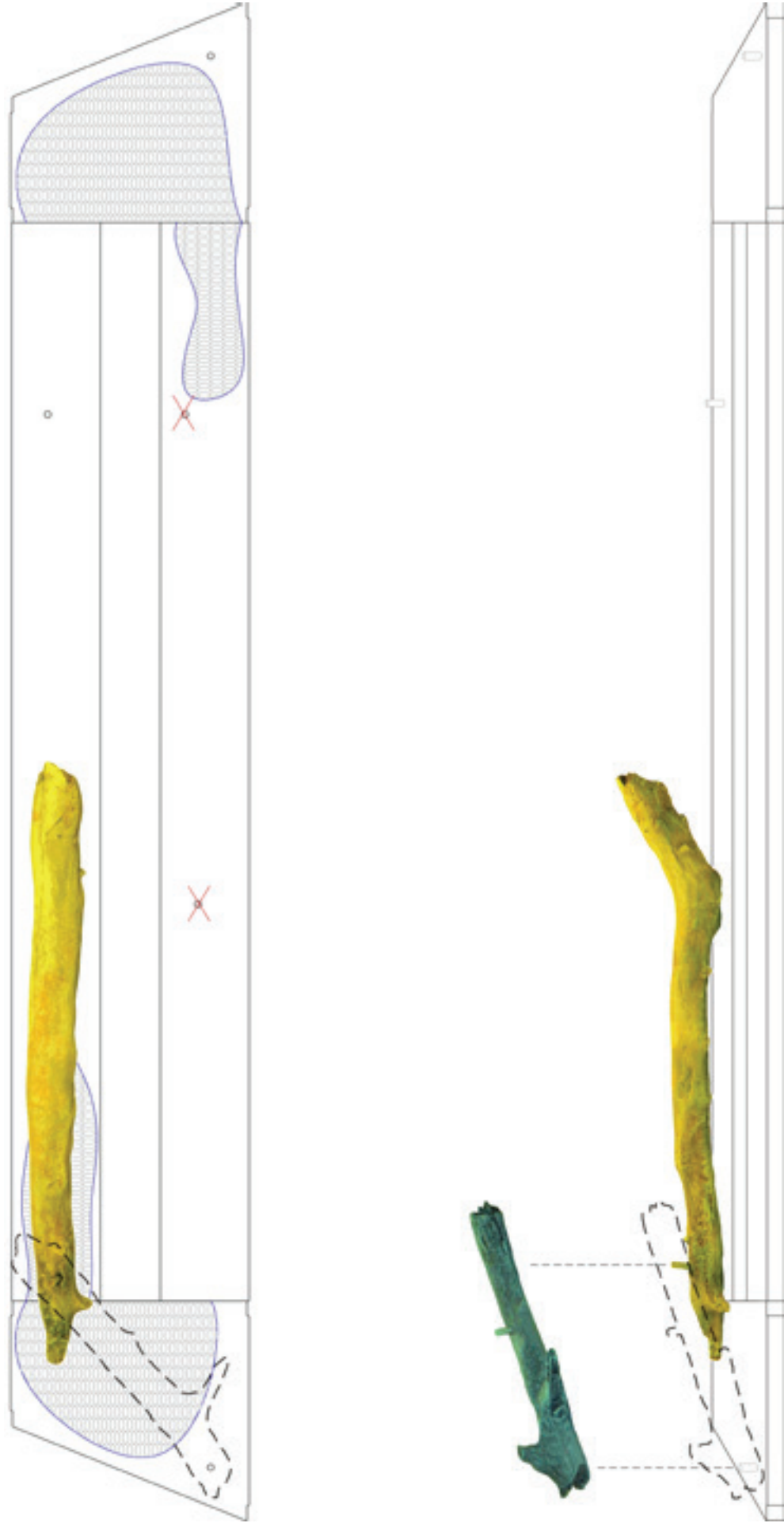
LOG PLACEMENT

1. Place **Log A** on Rear Left Pin. The pin on **Log A** will rest on the Left Glass Support Screen.



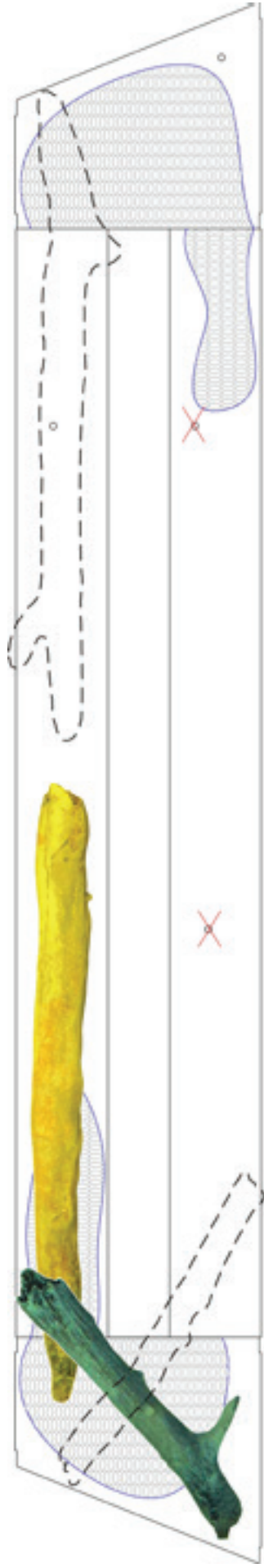
LOG PLACEMENT

2. Place **Log B** onto Front Left Pin and the pin on **Log A**.



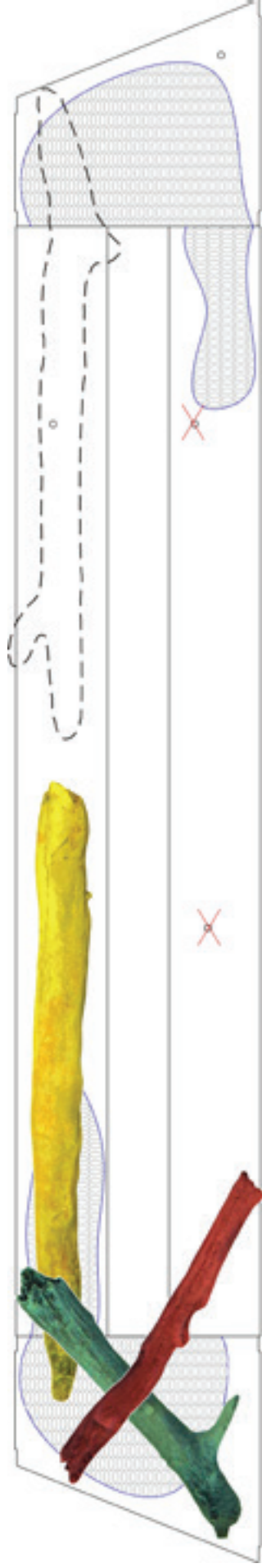
LOG PLACEMENT

3. Place **Log C** onto pin on **Log B** and angle to the front of the burner so it rests on the front Glass Support Screen.



LOG PLACEMENT

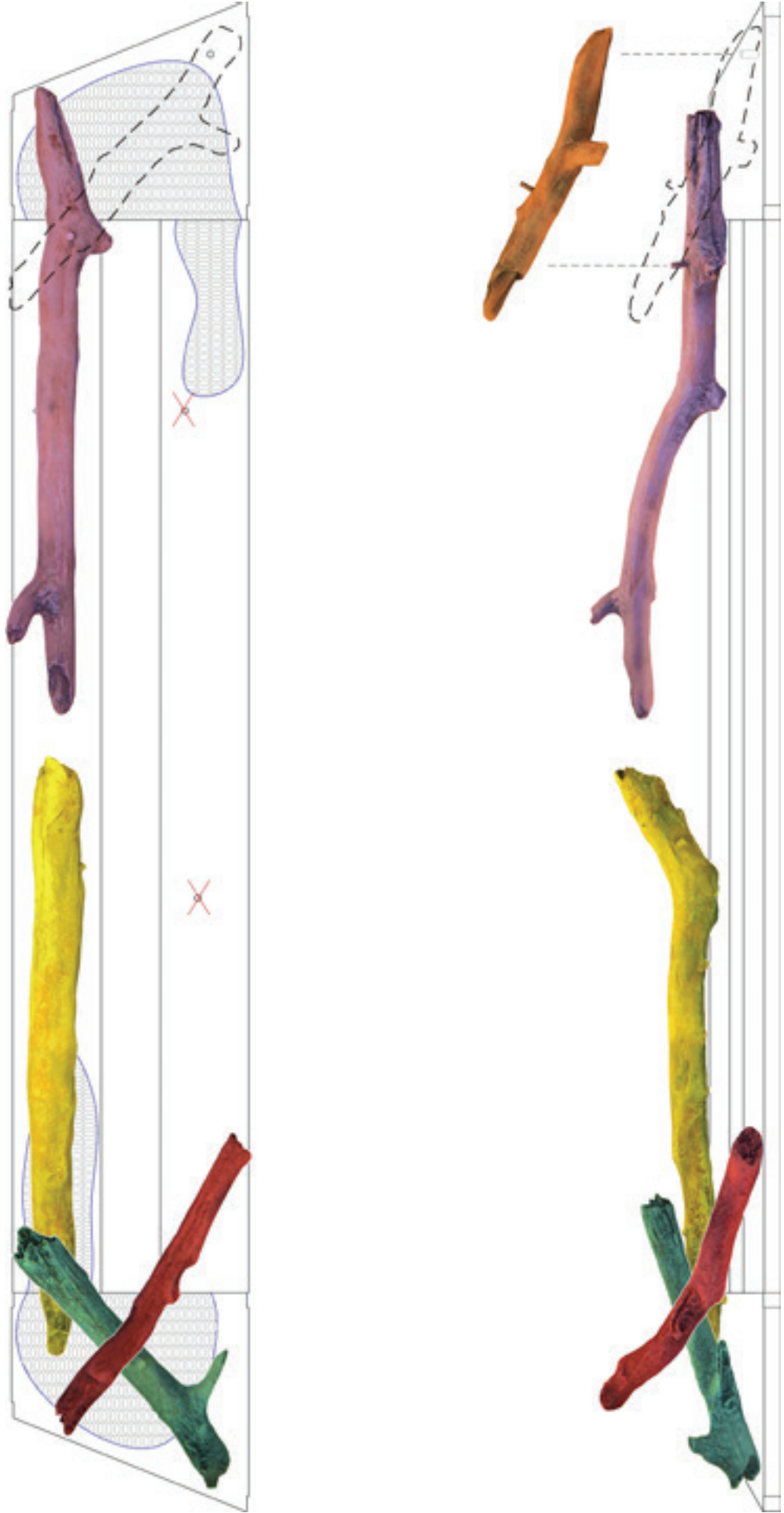
4. Place **Log D** onto **Rear Right Pin** with the arch angled up to the left.



NOTE: **Log D** may tip to left side until installation of **Log E**.

LOG PLACEMENT

5. Place **Log E** onto Front Right Pin and the pin on **Log D**.



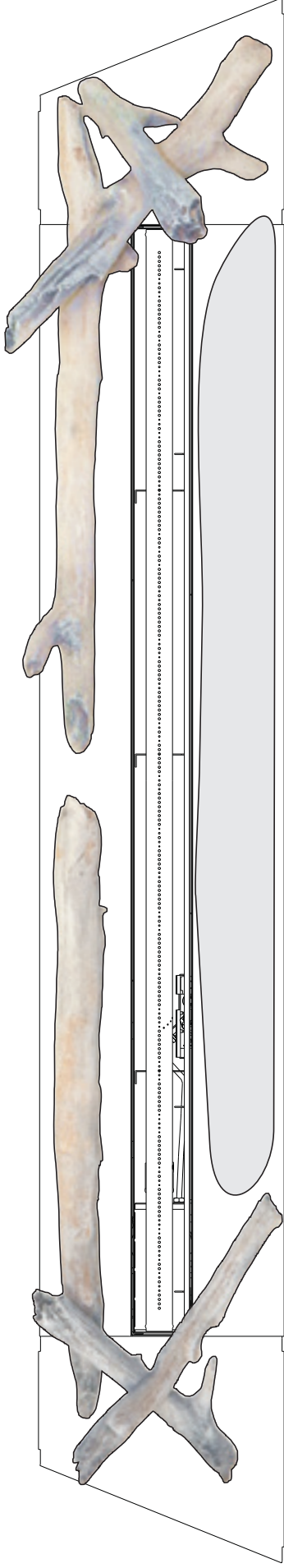
LOG PLACEMENT

6. Place **Log F** onto the pin on **Log E** and angle in behind **Log E**.



LOG PLACEMENT

7. Place the optional rocks in front of the burner and between the ends of Log C and Log E as desired.



COMPLETING INSTALLATION

Reinstalling The Barrier Screen

1. Reinstall the Barrier Screen onto the fireplace by lining up the tabs with the slots in the firebox. Push the barrier screen toward the unit and lower it slightly to lock in place. See Figure 10.

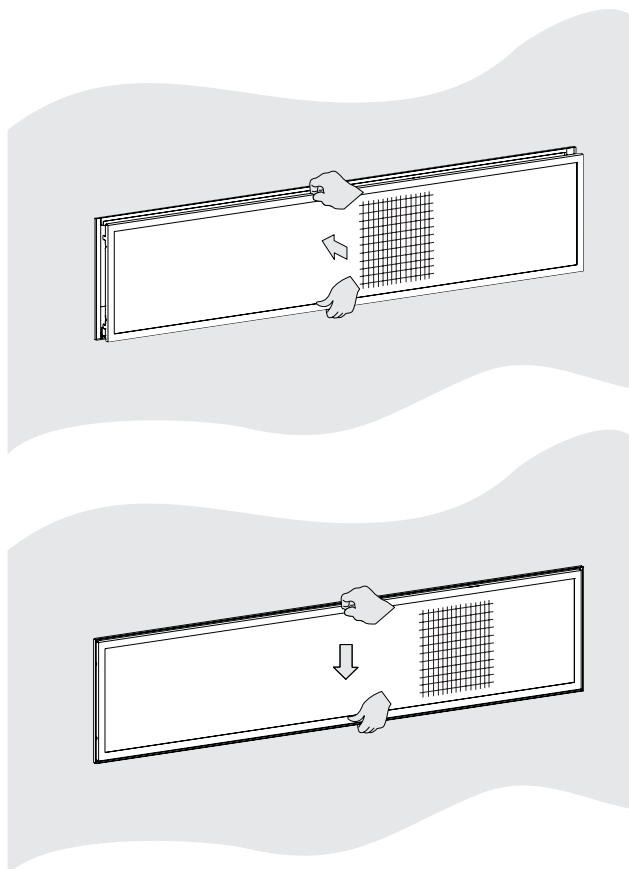


Figure 10

SUGGESTED LOG AND ROCK PLACEMENT

LS60DF - Log Set



LS72DF - Log Set



SINCE 1932

www.empirecomfort.com

Empire Comfort Systems Inc.
Belleville, IL

If you have a general question
about our products, please e-mail
us at info@empirecomfort.com.

If you have a service or repair
question, please contact your dealer.