

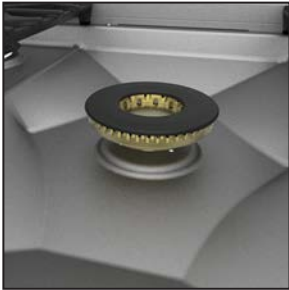
STANDARD FEATURES

 HESTAN

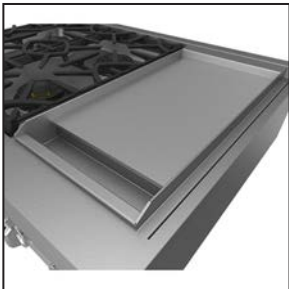
48" RANGETOP

- Heavy-duty cast-iron grates provide a continuous uninterrupted and maximized cooking surface for best in class coverage. In combination with brass sealed burner and burner bowl, designed to optimize combustion efficiency to produce top cooking performance, including the fastest time-to-boil.
- Award winning CircuFlame™ brass sealed center power burner provides 30,000 Btu/hour of high-performance cooking power, featured in Michelin starred restaurants and used by the top chefs around the country.

CircuFlame™ Burner (485 only)



IR Gas Griddle



Simmer Flame at 500 Btu



- High performance dual-flow burner system allows for significant turndown capability from high Btu performance (23,000 Btu/hour *Front Burners*) to low continuous simmer (500 Btu/hour *All Burners*). - NG
- Patent pending, diamond stainless steel burner bowl, emphasizes the CircuFlame™ power burner. Allows for ease of cleaning with a water tight seal. - 5 burner (485) configuration only.
- Exclusive raised pattern burner cap design that is easy to remove and clean.
- Robust electronic ignition/re-ignition capability to provide safety and proper gas ignition. Igniter will continue to spark until the burner flame is established, and re-ignite in the case of flame blow out.
- Industry exclusive Marquise Accented™ control panel.
- Elegantly backlit patent-pending control knobs add functionality and brilliant illumination.
- Zamak die-cast control knobs.
- 1/4" thick stainless steel robotically welded griddle plate. (*Available in 12" and 24"*)
- High performance infra-red gas burner system griddle
- Thermostatically controlled.
- Teflon coated front grease tray for ease of cleaning.
- Comes standard with Island Trim.



Model Number as shown
KRT485GD

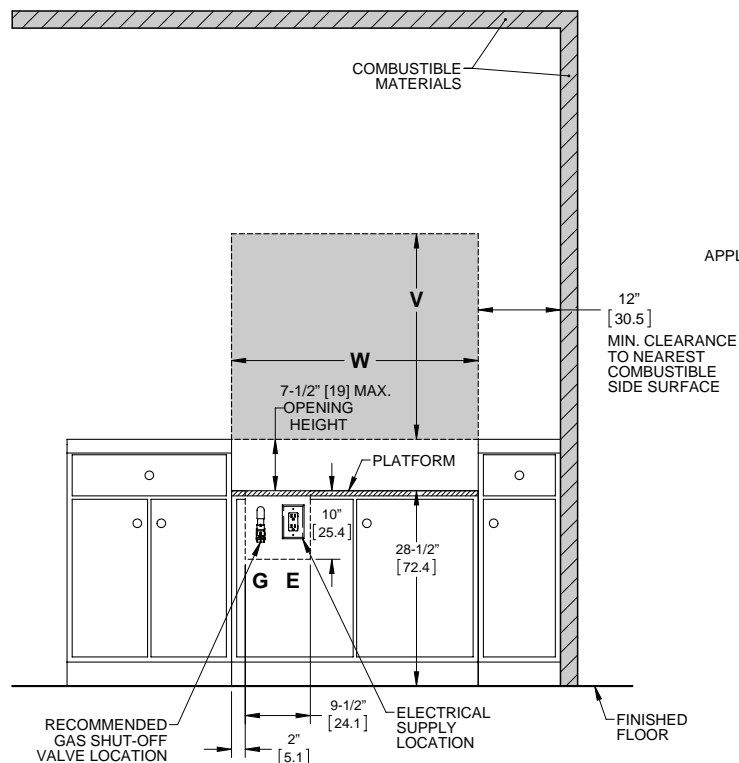
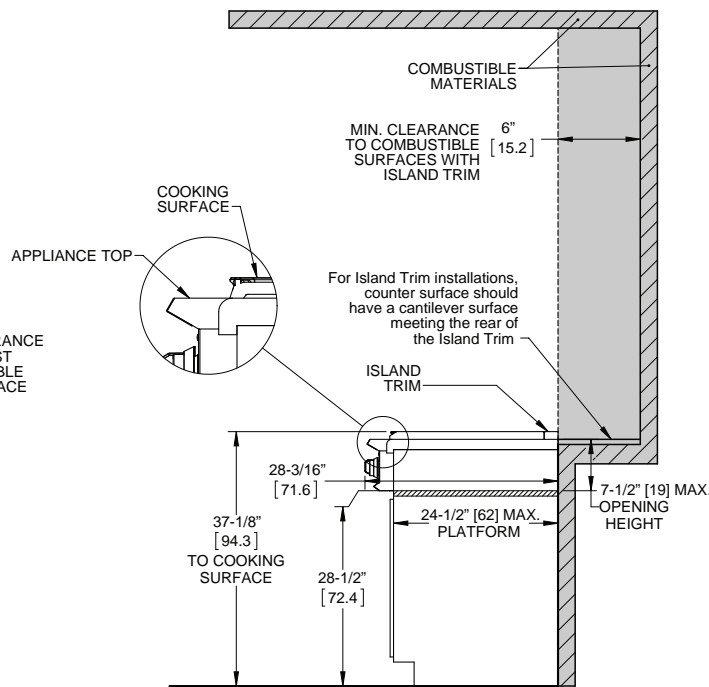


Model Number as shown
KRT484GD
with Accessory 10" Backguard

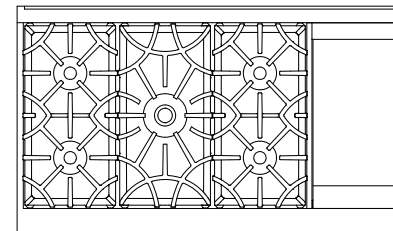
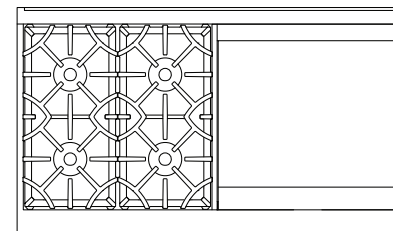
OPTIONS & ACCESSORIES

- Available in Twelve (12) Hestan signature color finishes
- Backguards : Low Back 10" and High Shelf 20"
- Natural Gas (NG) or Liquid Propane (LP)
- Gas conversion kits (NG/LP)
- High altitude kit
- Wok Ring

48" RANGETOP

INSTALLATION CLEARANCES WITH ISLAND TRIM

FRONT VIEW

SIDE VIEW

DIMENSIONS IN BRACKETS [] ARE IN CM.


KRT485GD

KRT484GD

GAS REQUIREMENTS : 1/2" NPT gas connection. Minimum gas supply is 7" water column for natural gas and 11" for propane. Operating pressure at the manifold is 5" water column for natural gas and 10" for propane. All units require a regulated gas supply. (included)

ELECTRICAL REQUIREMENTS :
120V, 60Hz, 20 amps

Hestan Indoor products are approved for indoor use only. Hestan Commercial Corporation reserves the right to change materials and specifications without notice. Specify type of gas when ordering.

- NOTES:**
- * SHADED AREAS INDICATE WHERE COMBUSTIBLE MATERIALS ARE NOT ALLOWED.
 - * APPLIANCE TOP MUST BE LEVEL OR HIGHER THAN THE ADJACENT COUNTERTOP SURFACES.
 - * "G" IS GAS CONNECTION ZONE ON REAR WALL. MOUNT SHUT-OFF VALVE IN THIS ZONE FOR EASY ACCESS WHEN RANGETOP IS INSTALLED.
 - * "E" IS ELECTRICAL SUPPLY ZONE.
 - * "W" IS APPLIANCE OPENING.
 - * "V" IS MIN. CLEARANCE TO REQUIRED VENTILATION HOOD OR COMBUSTIBLE SURFACE.

RANGETOP MODEL	W	V _(min)
KRT485GD	48" [121.9]	30" [76.2]
KRT484GD	48" [121.9]	30" [76.2]

All Models	Description	Cutout Dimensions			Total Btu's	Griddle BTU	Approx SHP WT (lbs)
		W (in.)	D (in.)	H (in.)			
KRT485GD -NG /-LP	48" Rangetop, 5 Burner with 12" Griddle	48"	24 1/2" + platform required	7 3/8"	122,000	15,000	260
KRT484GD -NG /-LP	48" Rangetop, 4 Burner with 24" Griddle	48"	24 1/2" + platform required	7 3/8"	107,000	15,000 (left) 15,000 (right)	280

