

INSTALLATION INSTRUCTIONS

INSTALLER:

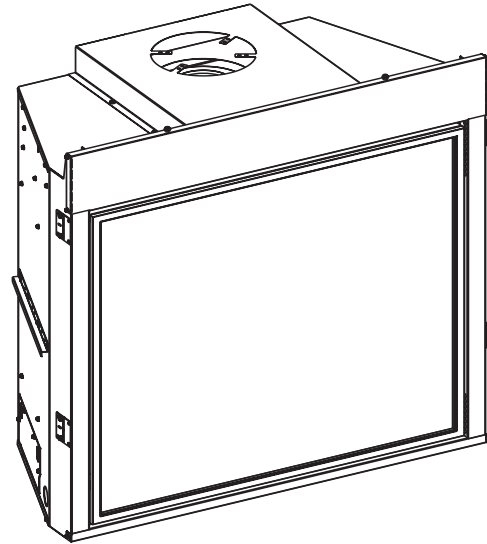
Leave this manual with the appliance.

CONSUMER:

Retain this manual for future reference.

DVCC BURNER UPGRADE KIT

37964 - 37969



⚠ WARNING

FIRE OR EXPLOSION HAZARD

Failure to follow safety warnings exactly could result in serious injury, death or property damage.

- Do not store or use gasoline or other flammable vapors and liquids in the vicinity of this or any other appliance.
- **WHAT TO DO IF YOU SMELL GAS**
 - Do not try to light any appliance.
 - Do not touch any electrical switch; do not use any phone in your building.
 - Leave the building immediately.
 - Immediately call your gas supplier from a neighbor's phone. Follow the gas supplier's instructions.
 - If you cannot reach your gas supplier, call the fire department.
- Installation and service must be performed by a qualified installer, service agency or the gas supplier.

This appliance may be installed in an aftermarket, permanently located, manufactured home (USA only) or mobile home, where not prohibited by state or local codes.

This appliance is only for use with the type of gas indicated on the rating plate. This appliance is not convertible for use with other gases, unless a certified kit is used.

⚠ WARNING



HOT GLASS WILL CAUSE BURNS. DO NOT TOUCH GLASS UNTIL COOLED. NEVER ALLOW CHILDREN TO TOUCH GLASS.

A barrier designed to reduce the risk of burns from the hot viewing glass is provided with this appliance and shall be installed for the protection of children and other at-risk individuals.

NATIONAL FIREPLACE INSTITUTE



CERTIFIED

www.nficertified.org

We suggest that our gas hearth products be installed and serviced by professionals who are certified in the U.S. by the National Fireplace Institute® (NFI) as NFI Gas Specialists.

GAS-FIRED



UL FILE NO. MH30033

This fireplace is design certified in accordance with American National Standard/CSA Standard ANSI Z21.88/CSA 2.33 and by Underwriters Laboratories as a Direct Vent Gas Fireplace Heater and shall be installed according to these instructions.

BURNER UPGRADE KIT INSTALLATION

NOTICE: Do not handle barrier screen or door assembly with your bare hands! (Always Wear Gloves)

1. Turn off power. Lift barrier screen and pull away from the unit. See Figure 1.

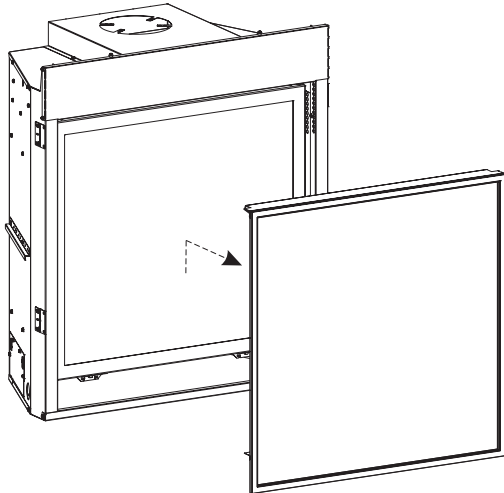


Figure 1

2. Pull out to release both latches at bottom of firebox assembly. See Figure 2.

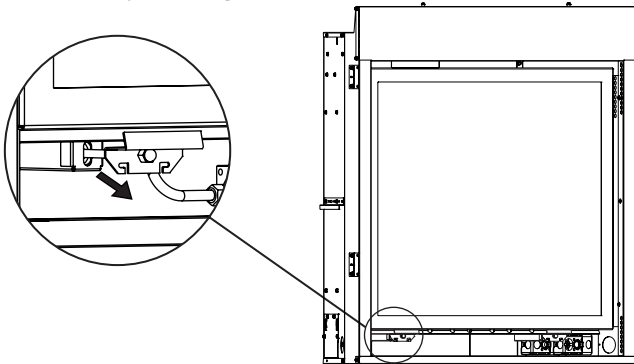


Figure 2

3. Disengage Glass Frame by pulling outward in a swinging motion. Place Glass Frame aside in a safe out-of-the-way location. See Figure 3.

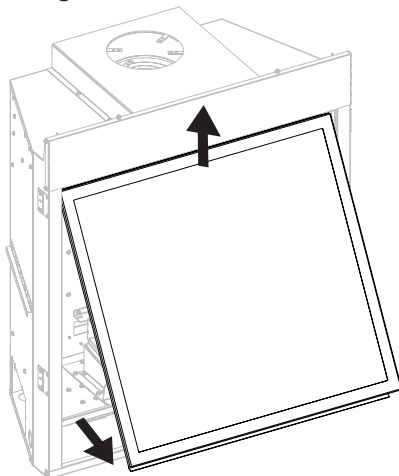


Figure 3

4. Remove the modern cover by lifting off. See Figure 4.

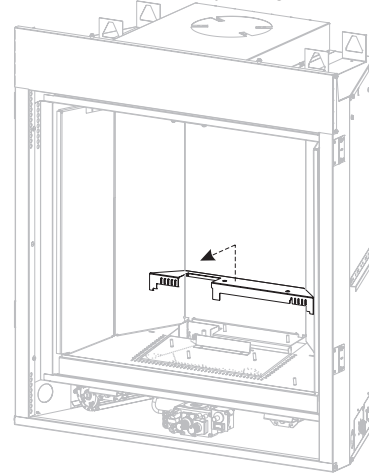


Figure 4

5. Remove the two screws securing the liner brackets to the firebox as shown in Figure 5. (If liner is installed)

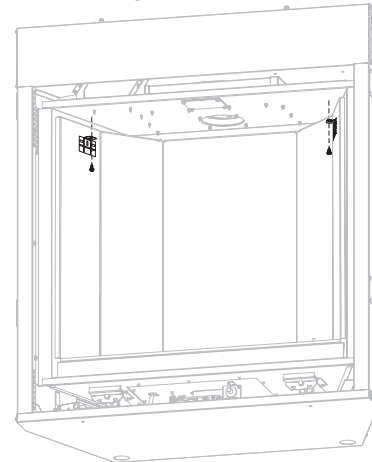


Figure 5

6. Remove liners as shown in Figure 6. (If installed)

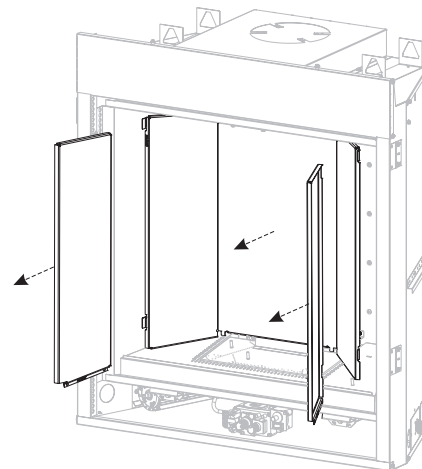


Figure 6

BURNER UPGRADE KIT INSTALLATION (CONT'D)

7. Remove burner cover by lifting off. **See Figure 7.**

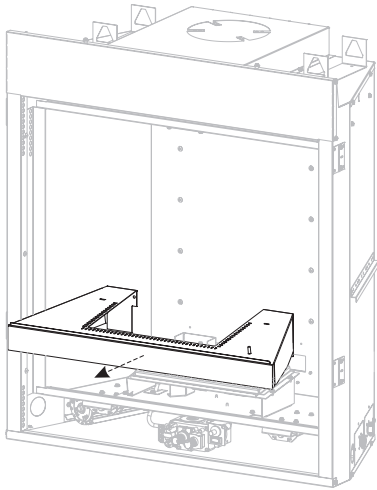


Figure 7

8. Remove log support by unscrewing two screws securing the metal plate to the log support. Retain log support and screws for reassembly. **See Figure 8.**

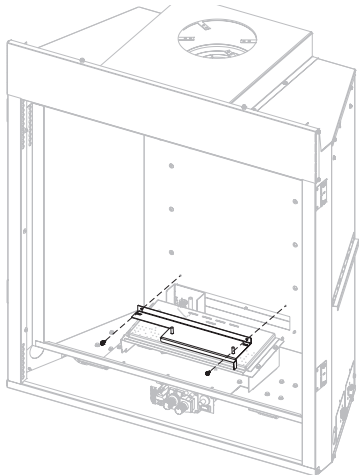


Figure 8

9. Remove the four screws securing burner and slide to right then lift burner off. **See Figure 9.**

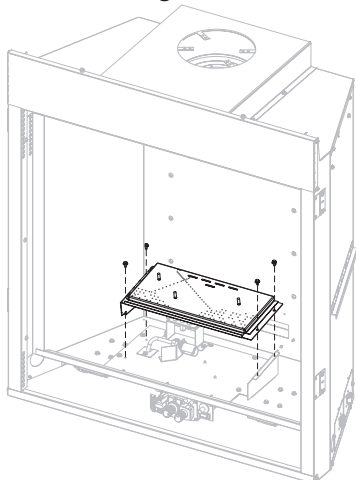
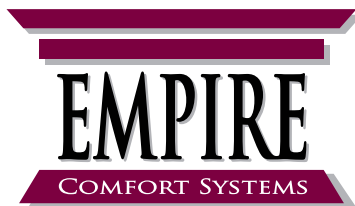


Figure 9

10. Remove air shutter or burner using 1/4-inch bit. Keep screw for reassembly.
 11. Place air shutter from step 10 onto new burner using the matching size drill bit. Set the spacing as shown in table below. Insert screw from step 10.

NATURAL GAS SETTINGS	
DVCC32	1/4 inch
DVCC36	1/4 inch
DVCC42	1/8 inch
LP GAS SETTINGS	
DVCC32	Full Open
DVCC36	Full Open
DVCC42	Full Open

12. Install the new burner and four screws removed in step 9. **See Figure 9.**
 13. Reinstall the log support and secure it with metal plate and two screws removed in step 8. **See Figure 8.**
 14. Replace burner cover removed in step 7. **See Figure 7.**
 15. Replace liner and bracket if removed in steps 5 and 6. **See Figures 5 & 6.**
 16. Replace modern cover removed in step 4. **See Figure 4.**
 17. Replace decorative media. Add ceramic media.
 18. Add rock wool as directed in ceramic media.
 19. Turn on power.
 20. Reinstall the glass frame removed in steps 2 and 3. **See Figures 2 & 3.**
 21. Replace barrier screen removed in step 1. **See Figure 1.**



**Empire Comfort Systems Inc.
Belleville, IL**

If you have a general question
about our products, please e-mail
us at info@empirecomfort.com.

If you have a service or repair
question, please contact your dealer.

SINCE 1932

www.empirecomfort.com