

FBB10-1 BLOWER INSTALLATION INSTRUCTIONS

FOR USE ON
DVC(C,P)(32,36,42)BP
DVCX(36,42)FP

INSTRUCTIONS MUST BE LEFT WITH THE OWNER FOR FUTURE REFERENCE AFTER INSTALLATION

BEFORE FIREPLACE IS INSTALLED IN THE WALL

1. With power completely turned off, remove plate and four screws as shown. **See Figure 1.**

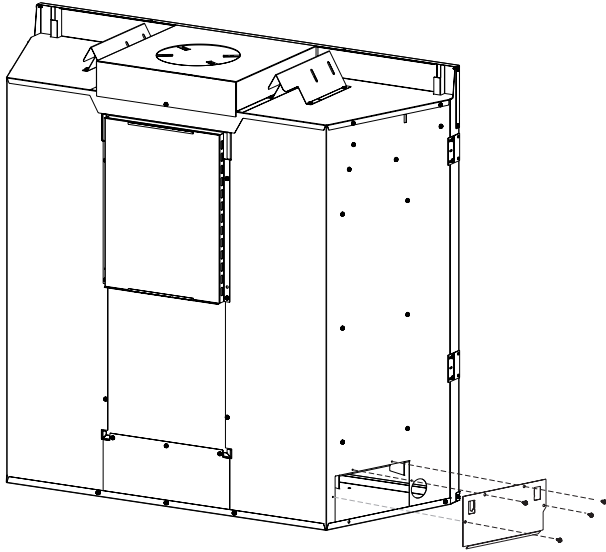


Figure 1

2. Install the blower onto the pre-bent brackets on the blower plate. Ensure the Velcro connects to secure the blower in place. **See Figure 2.**

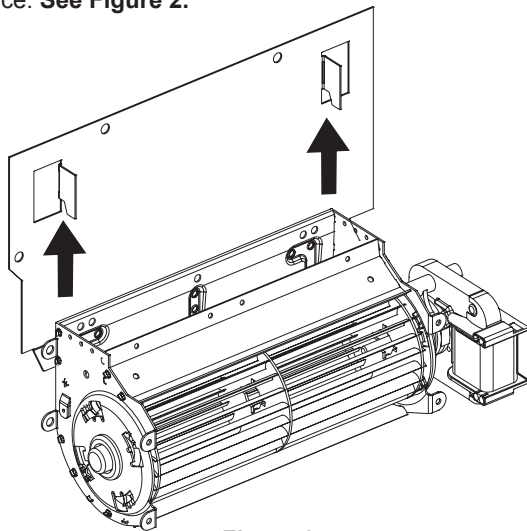
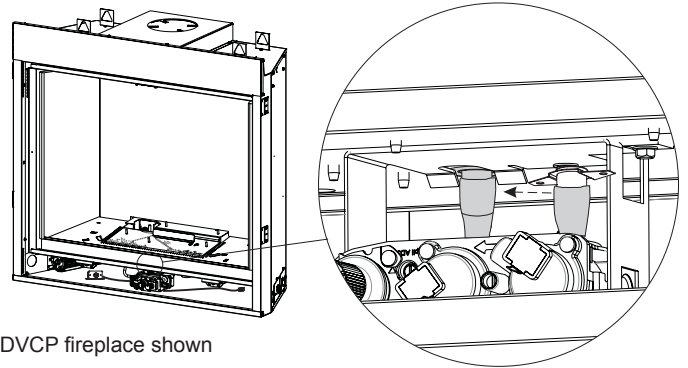


Figure 2

3. Route wiring through opening created in step 1.
4. Secure plate and blower assembly into place with four screws.
5. Install thermo-disc by snapping into valve bracket under the burner assembly. **See Figure 3.**



DVCP fireplace shown

Figure 3

6. Connect Power source into outlet on bottom right side of fireplace.

AFTER FIREPLACE IS INSTALLED IN THE WALL

ATTENTION: Do not handle barrier screen or door assembly with bare hands! (Always wear gloves)

- 1a. **(New Model)** Make sure power and gas are turned off prior to any removal. Lift barrier screen assembly and pull away from the unit. **See Figure 4**

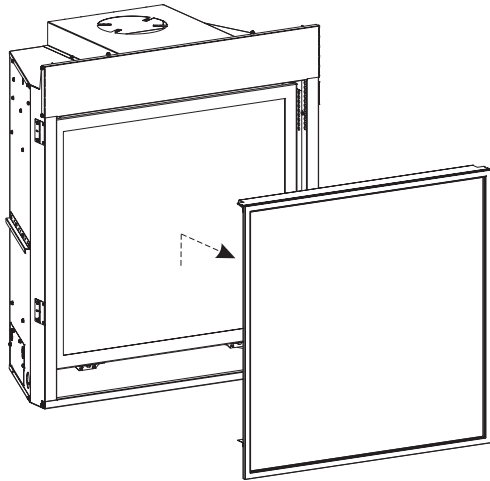


Figure 4

- 1b. **(Old Model)** Make sure power and gas are turned off. Tilt and pull lower panel to remove from bottom assembly. **See Figure 5.**

If applicable, remove safety barrier screen covering the glass.

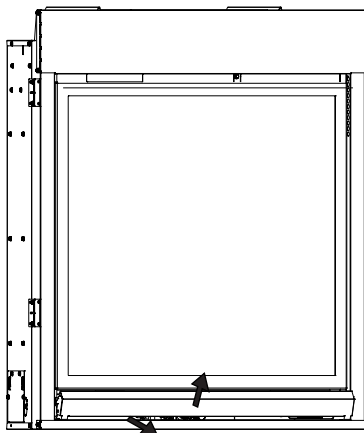


Figure 5

2. Undo two latches at the bottom of the firebox assembly. **See Figure 6.**

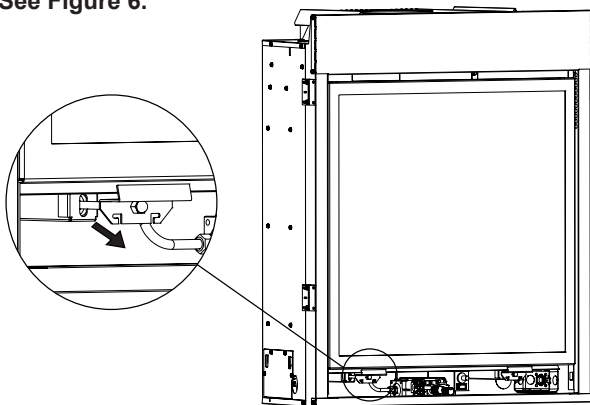


Figure 6

3. Disengage glass frame by pulling in upward swinging position. Place glass frame aside in a safe and out-of-the-way location. **See Figure 7.**

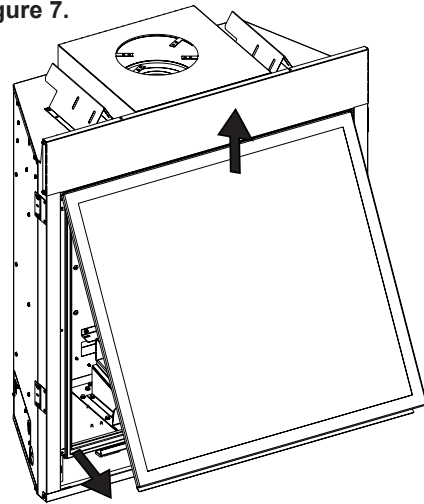


Figure 7

4. Remove log set and decorative media. Remove brackets and liners if installed. Retain for re-installation. **See Figure 8. (Reflective liners shown)**

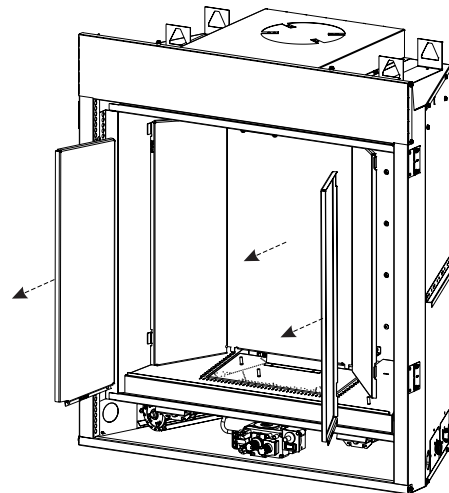
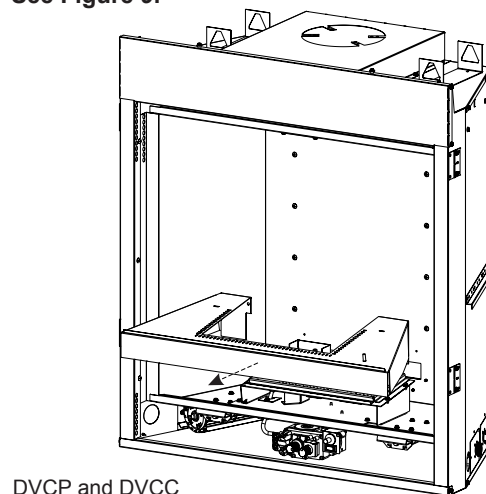


Figure 8

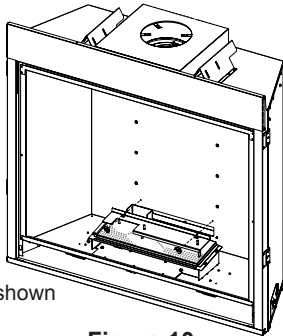
5. For DVCP and DVCC. Remove burner cover by lifting off. **See Figure 9.**



DVCP and DVCC
fireplace shown

Figure 9

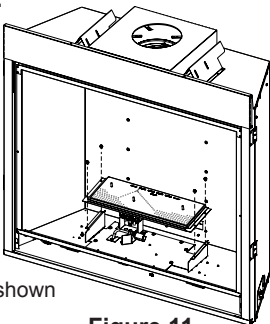
6. Remove log support by removing the two screws securing the metal plate to log support. Retain log support and screws for reassembly. **See Figure 10.**



DVCP fireplace shown

Figure 10

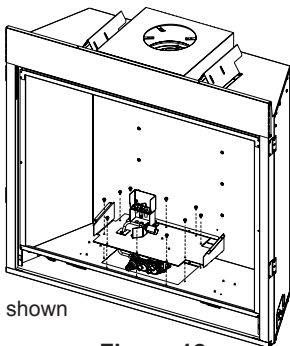
7. Remove the four screws securing burner, slide to burner right and lift off burner. Retain burner and screws for reassembly. **See Figure 11.**



DVCP fireplace shown

Figure 11

8. Remove ten screws and lift burner base assembly. Disconnect gas line. Retain burner and screws for reassembly. **See Figure 12.**



DVCP fireplace shown

Figure 12

9. For DVCP Fireplace: Remove the four #10 x 1/2 screws securing the latch assembly to the underside of the firebox and set aside. **See Figure 13.**
For DVCX Appliances: Remove the five #10 x 1/2 screws securing the latch assembly to the underside of the firebox and set aside. **See Figure 13.**

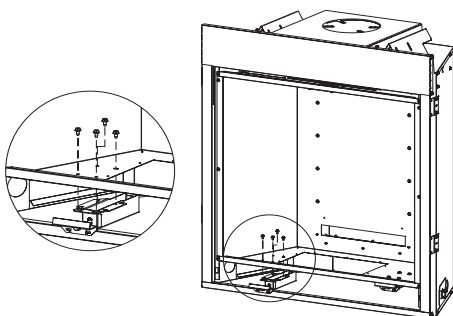


Figure 13

10. Install blower through burner cutout. **See Figure 14.**

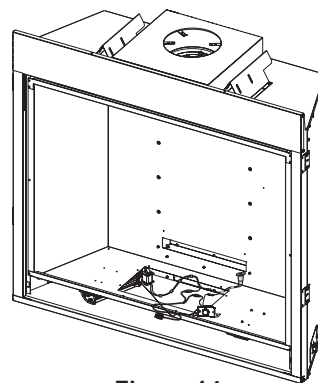


Figure 14

11. The blower plate is on the left side of the fireplace. Slide the blower up into the tabs, securing it into place with the velcro. **See Figure 15.**

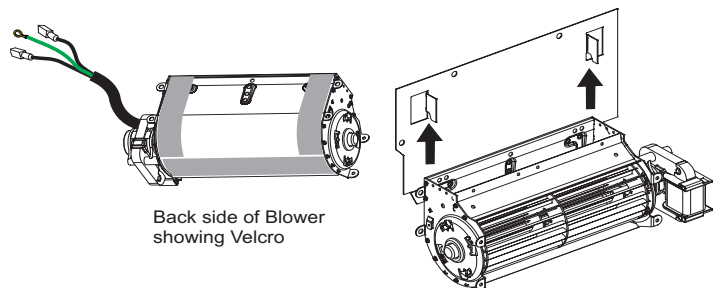
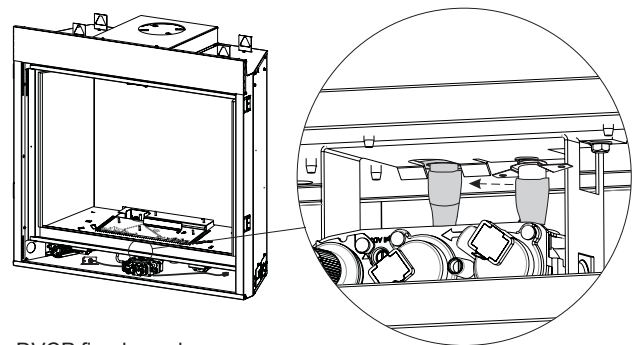


Figure 15

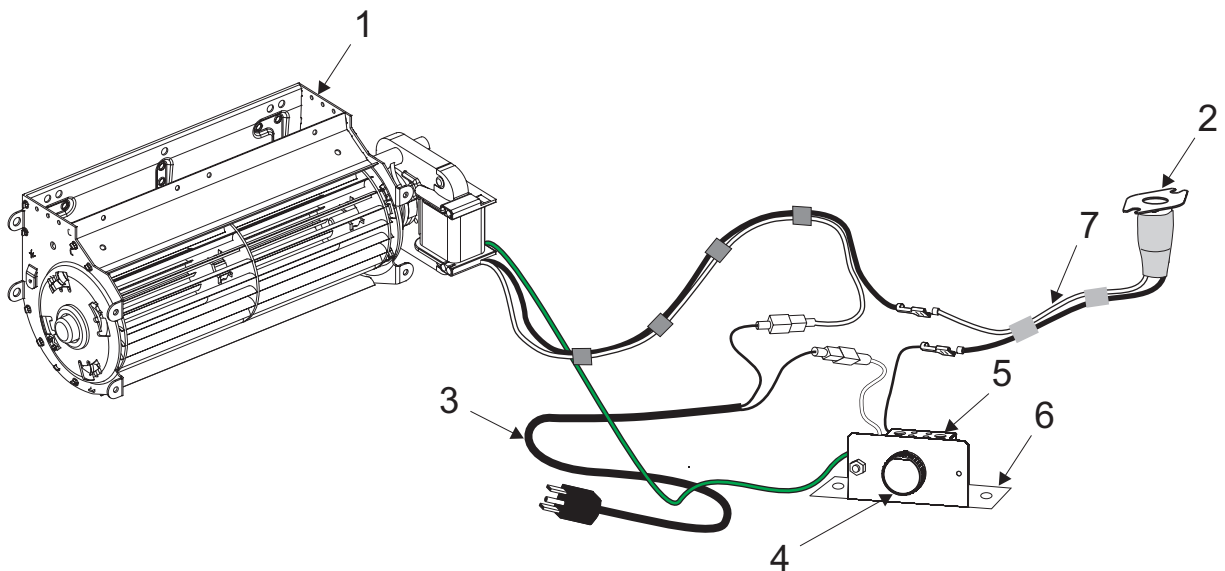
12. Reinstall the latch assembly removed in step 9. **See Figure 13.**
13. Install thermo disc by snapping it into bracket under the burner assembly. **See Figure 16.**



DVCP fireplace shown

Figure 16

14. Reconnect the gas line and turn gas on, check for leaks. Reinstall the burner base assembly and ten screws removed in step 8. **See Figure 12.**
15. Reinstall the burner and four screws removed in step 7. **See Figure 11.**
16. Reinstall the log support and secure it with the metal plate and two screws removed in step 6. **See Figure 10.**
17. Replace burner cover removed in step 5. **See Figure 9.**
18. Replace liner and bracket, if removed in step 4.
19. Replace log set and decorative media.
20. Turn on power.
21. Reinstall the glass frame removed in step 3. **See Figure 7.**
22. Secure the glass frame with the latches at the bottom of the fireplace. **See Figure 6.**
23a. Replace barrier screen removed in step 1a. **See Figure 4.**
23b. Replace lower panel removed in step 1b. **See Figure 5.**



BLOWER ASSEMBLY PARTS LIST			
INDEX NO.	PART NO	DESCRIPTION	QTY
1	R2804	BLOWER ASSEMBLY	1
2	R7649	FAN CONTROL L120-20	1
3	R2099	CORD SET, 30 INCHES	1
4	R4192	RHEOSTAT, KNOB	1
5	R4186	RHEOSTAT, 3.0 AMP 115 VAC	1
6	10088	RHEOSTAT BOX BRACKET	1
7	R11768	WIRE HARNESS, FAN CONTROL	1



SINCE 1932

www.empirecomfort.com

Empire Comfort Systems Inc.
Belleville, IL

If you have a general question about our products, please e-mail us at info@empirecomfort.com.

If you have a service or repair question, please contact your dealer.