

DVCP AND DVCC FIREPLACE SCREEN KITS INSTALLATION INSTRUCTIONS

MODELS:

DVFS32MBL for use with DV(C,P)32BP Fireplaces

DVFS36MBL for use with DV(C,P)36BP Fireplaces

DVFS42MBL for use with DV(C,P)42BP Fireplaces



INSTRUCTIONS MUST BE LEFT WITH THE OWNER FOR FUTURE REFERENCE AFTER INSTALLATION

NOTE: Do not handle barrier screen or door assembly with your bare hands! (Always Wear Gloves)

Tools Needed: None Required

Carton Contents: Fireplace Screen

Assembly

1. Tuck the left side of the fireplace screen between the glass frame and glass on the left side of the fireplace. Push firmly, bending the fireplace screen slightly, until you can fit the right side of the fireplace screen into the space between the glass frame and glass on the right side of the fireplace. Carefully let go, and the fireplace screen will spring into location. **See Figure 1 and Figure 2**

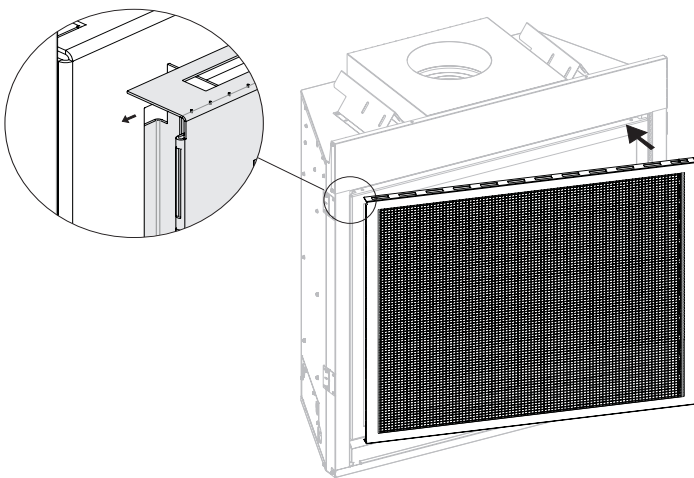


Figure 1

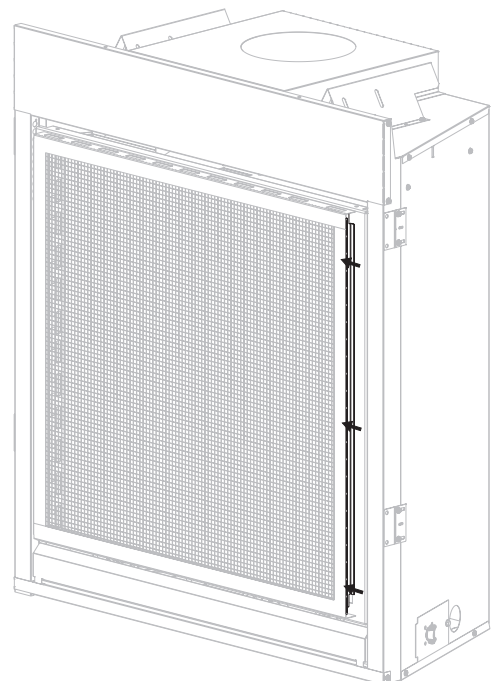
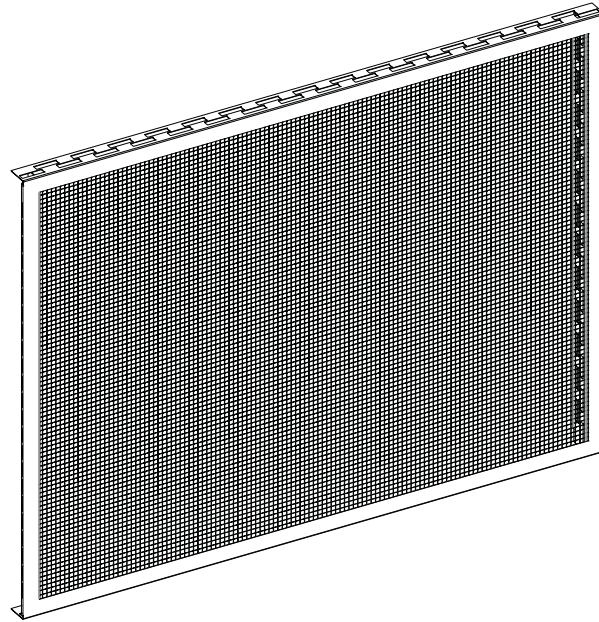


Figure 2 (DVCP Model Fireplace shown)



FIREPLACE SCREEN KIT PARTS LIST

INDEX NO.	PART NUMBER	DESCRIPTION	QTY
1	DVFS(32,36,42)MBL	FIREPLACE SCREEN KIT	1