



There is  
**so much to tell...**

FEF3226L1

The wonderful feel of a burning log fire. The place where you can relax, meet, recharge your batteries and share. When a gas fire or wood stove is impossible or undesirable, or for those who prefer "individual design" and specific choices, Faber has the new e-MatriX; Astonishing fire... from water. Fire for anybody, anywhere.





# Single-Sided Built-in Electric Firebox



**Logs**  
Realistic charred log set to maximize the illusion of depth and the appearance of burning firewood. Combine with loose embers for a custom display.



**Water Connection**  
Hard plumbed to provide consistent water flow.



**Light Module**  
Provides a pulsating burn on logs for a truly lifelike effect.



**Sound Module**  
Provides the soothing sounds of fire crackling.



**Rear Wall Steel**  
Provides a solid dark interior finish.



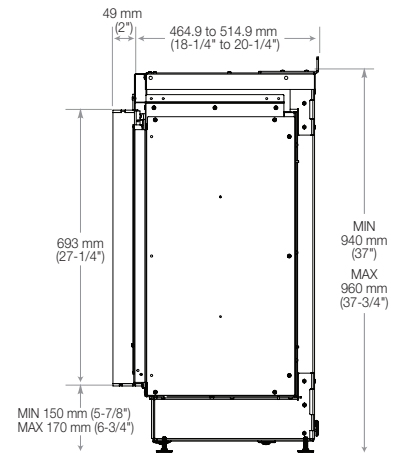
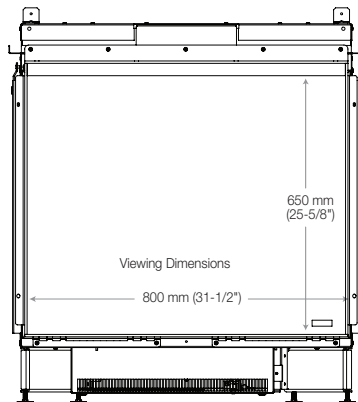
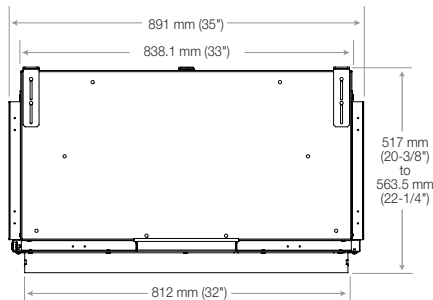
**Remote Control**  
Uses Bluetooth wireless technology to control all fireplace features from the comfort of your chair.



## Available in gas



## Product Dimensions:



120 Volts | 270 Watts

| Model #   | Description          | UPC           | Wty. <sup>1</sup> | Water consumption        | Power consumption | Inlet water pressure | Water connection | Carton Dimensions (WxHxD) |                      | Cube            |                | Lbs/ Kg   |
|-----------|----------------------|---------------|-------------------|--------------------------|-------------------|----------------------|------------------|---------------------------|----------------------|-----------------|----------------|-----------|
|           |                      |               |                   |                          |                   |                      |                  | inches                    | cm                   | Ft <sup>3</sup> | M <sup>3</sup> |           |
| FEF3226L1 | Single-Sided Firebox | 781052 132016 | 5 yr.             | 0.30 L/hr<br>0.08 gal/hr | 0.27 kW/hr        | 7.5 - 115 psi        | 1/4"             | 51 x 26 x 49              | 129.5 x 66.0 x 124.5 | 37.6            | 1.06           | 297 / 136 |

Specifications, finishes and dimensions are subject to change. <sup>1</sup>Limited warranty.  
©2020 Glen Dimplex Americas  
SE-433-R03-070920

