

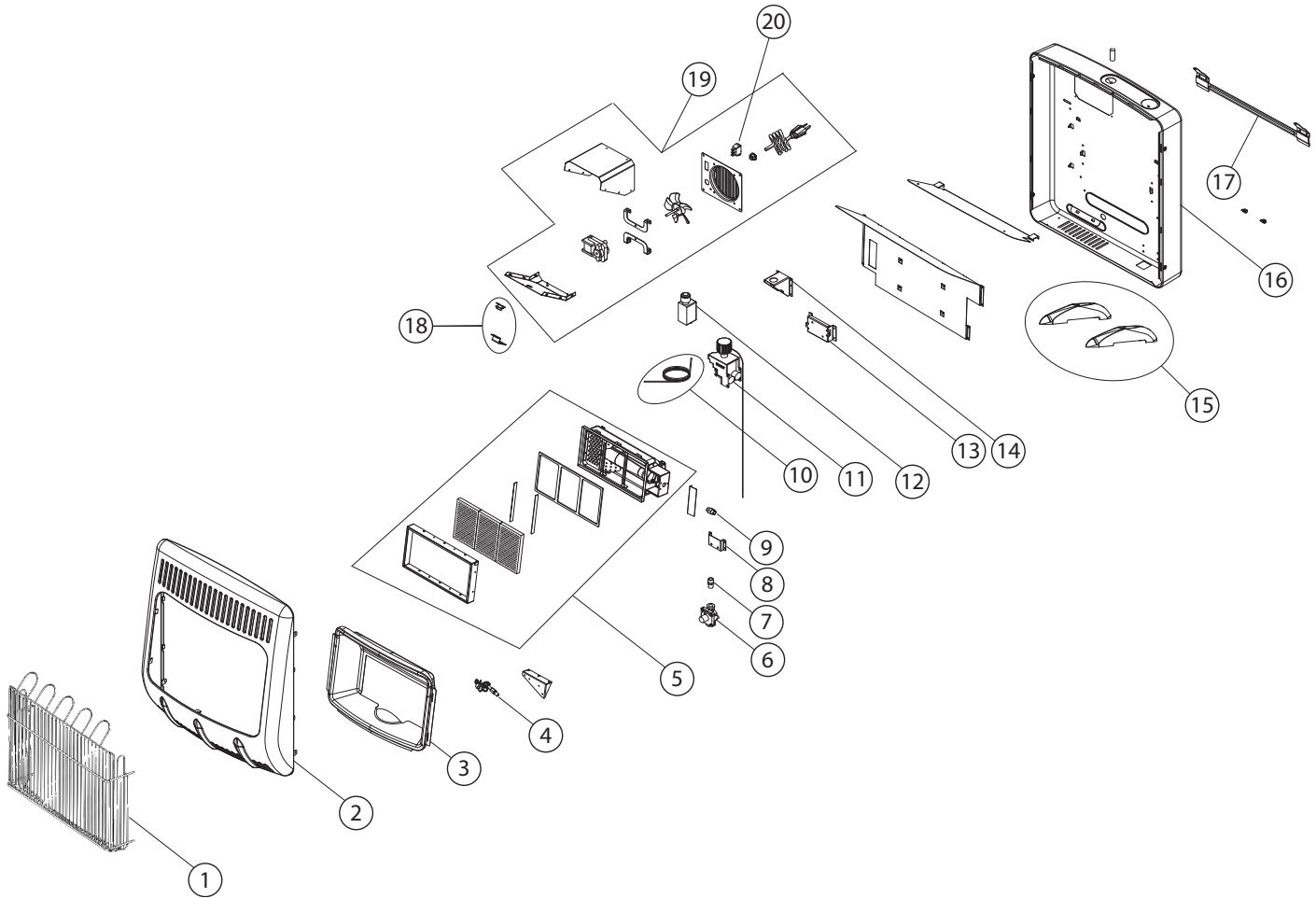
PARTS LIST AND DIAGRAM

MODEL: HSSVFRD20NGBT

ITEM	P/N	PART DESCRIPTION	QTY	ITEM	P/N	PART DESCRIPTION	QTY
1	80094	Wire Guard	1	11	70640	Thermostat Valve	1
2	80096	Front Panel	1	13	80010	Thermostat Valve Mounting Bracket	1
3	80086	Reflector	1	14	80011	Igniter Module Mounting Bracket	1
4	80057	ODS Assembly w/ Thermocouple (NG)	1	15	80058	Floor Mounting Feet	1
5	80108	Burner Assembly	1	16	80097	Back Panel	1
6	80107	Regulator	1	17	80037	Wall Mounting Bracket	1
7	NA	Regulator Connection	1	18	80013	High Limit Switch (Fan)*	1
8	80055	Regulator Mounting Bracket	1	19	F299201	Fan Assembly*	1
9	80009-06	Orifice	1	20	80049	Fan Switch*	1
10	80014	Igniter Wire	1	**	70342	Hardware Kit (not shown)	1
11	80019	Igniter Module	1				

***If Equipped**

⚠ WARNING: Failure to position the parts in accordance with these diagrams or failure to use only parts specifically approved with this heater may result in property damage or personal injury.

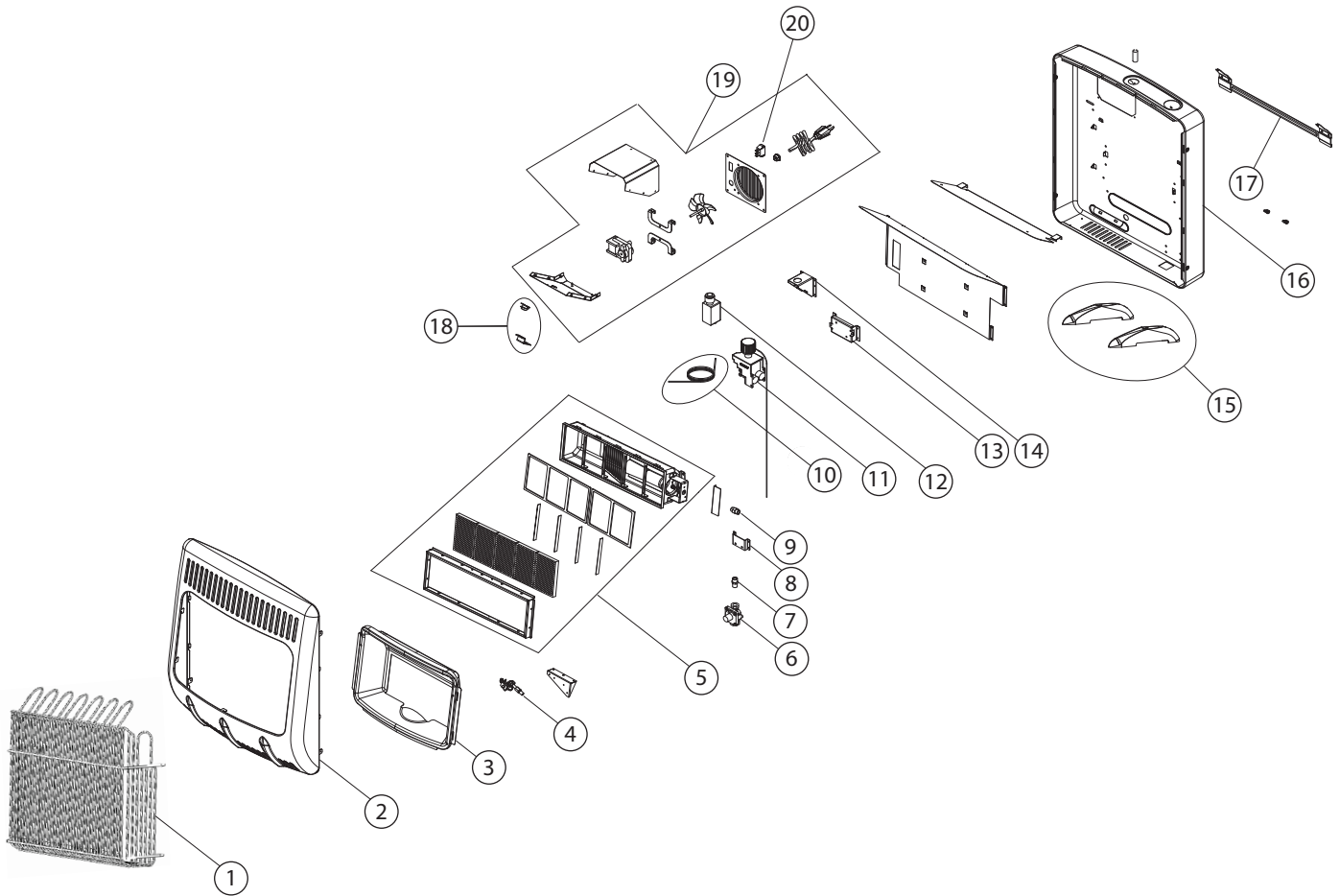


PARTS LIST AND DIAGRAM

MODEL: HSSVFRD30NGBT			
ITEM	P/N	PART DESCRIPTION	QTY
1	80041	Wire Guard	1
2	80065	Front Panel	1
3	80023	Reflector	1
4	80057	ODS Assembly w/ Thermocouple (NG)	1
5	80109	Burner Assembly	1
6	80083	Regulator	1
7	NA	Regulator Connection	1
8	80055	Regulator Mounting Bracket	1
9	80009-08	Orifice	1
10	80014	Igniter Wire	1
11	80019	Igniter Module	1
11	70640	Thermostat Valve	1
13	80010	Thermostat Valve Mounting Bracket	1
14	80011	Igniter Module Mounting Bracket	1
15	80058	Floor Mounting Feet	1
16	80066	Back Panel	1
17	80037	Wall Mounting Bracket	1
18	80013	High Limit Switch (Fan)*	1
19	F299201	Fan Assembly*	1
20	80049	Fan Switch*	1
**	70342	Hardware Kit (not shown)	1

***If Equipped**

WARNING: Failure to position the parts in accordance with these diagrams or failure to use only parts specifically approved with this heater may result in property damage or personal injury.

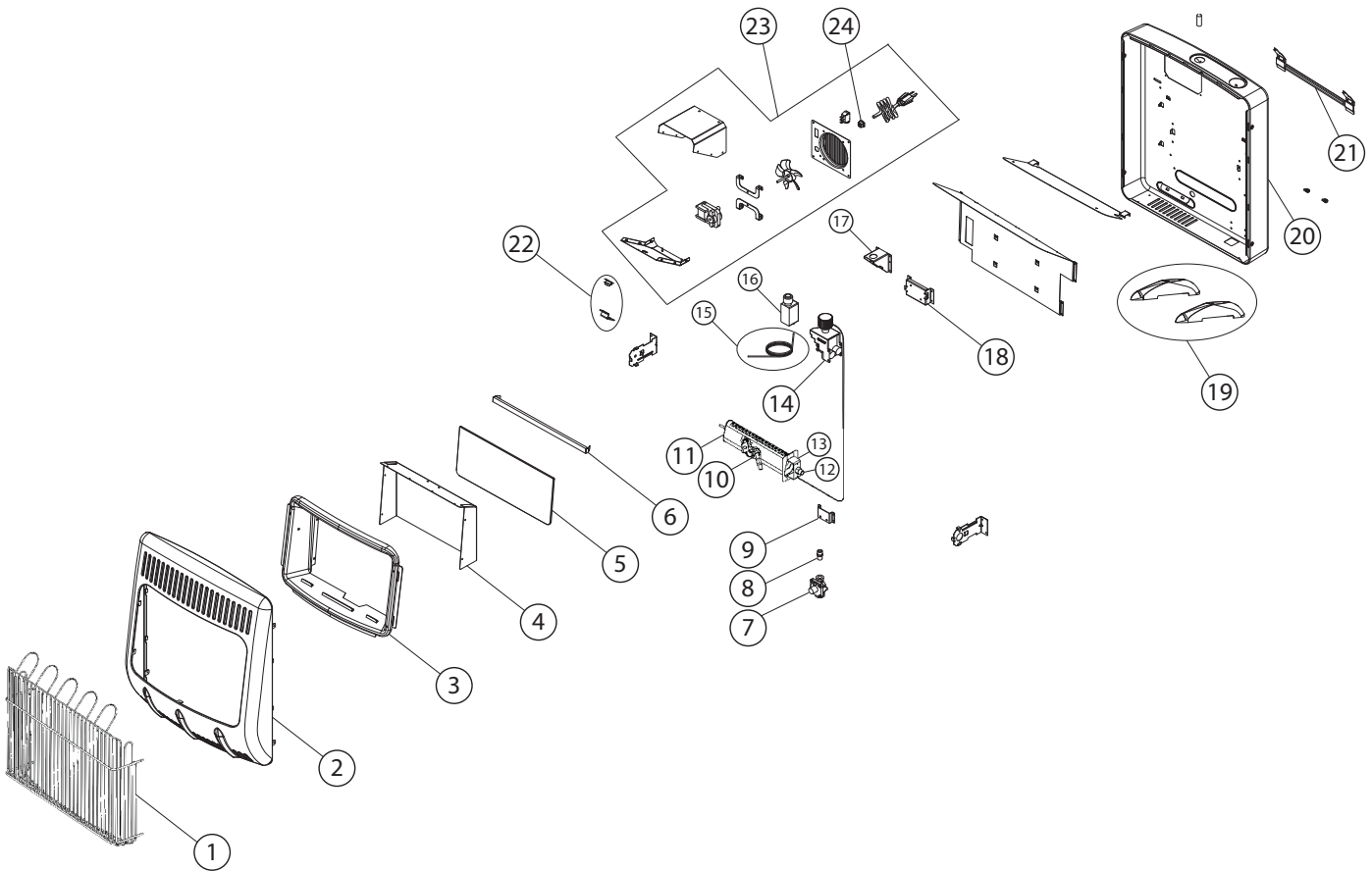


PARTS LIST AND DIAGRAM

MODEL: HSSVFBF20NGBT							
ITEM	P/N	PART DESCRIPTION	QTY	ITEM	P/N	PART DESCRIPTION	QTY
1	80122	Wire Guard	1	14	70640	Thermostat Valve	1
2	80096	Front Panel	1	15	80014	Igniter Wire	1
3	80087	Reflector	1	16	80019	Igniter Module	1
4	80088	Front Heat Shield	1	17	80011	Igniter Module Mounting Bracket	1
5	80093	Glass	1	18	80010	Thermostat Valve Mounting Bracket	1
6	80091	Glass Bracket	1	19	80058	Floor Mount Feet	1
7	80107	Regulator	1	20	80097	Back Panel	1
8	NA	Regulator Connection	1	21	80037	Wall Mounting Bracket	1
9	80055	Regulator Mounting Bracket	1	22	80013	High Limit Switch (Fan)*	1
10	80057	ODS Pilot Assembly w/ Thermo-couple	1	23	F299201	Fan Assembly*	1
11	80085	Burner Assembly	1	24	80049	Fan Switch*	1
12	80009-07	Orifice	1	**	70342	Hardware Kit (not shown)	1
13	80073	Orifice Adapter	1				

***If Equipped**

⚠ WARNING: Failure to position the parts in accordance with these diagrams or failure to use only parts specifically approved with this heater may result in property damage or personal injury.



PARTS LIST AND DIAGRAM

MODEL: HSSVFBF30NGBT

ITEM	P/N	PART DESCRIPTION	QTY	ITEM	P/N	PART DESCRIPTION	QTY
1	80123	Wire Guard	1	14	70640	Thermostat Valve	1
2	80065	Front Panel	1	15	80014	Igniter Wire	1
3	80025	Reflector	1	16	80019	Igniter Module	1
4	80029	Front Heat Shield	1	17	80011	Igniter Module Mounting Bracket	1
5	80039	Glass	1	18	80010	Thermostat Valve Mounting Bracket	1
6	80035	Glass Bracket	1	19	80058	Floor Mount Feet	1
7	80083	Regulator	1	20	80066	Back Panel	1
8	NA	Regulator Connection	1	21	80037	Wall Mounting Bracket	1
9	80055	Regulator Mounting Bracket	1	22	80013	High Limit Switch (Fan)*	1
10	80057	ODS Pilot Assembly w/ Thermo-couple	1	23	F299201	Fan Assembly*	1
11	80018	Burner Assembly	1	24	80049	Fan Switch*	1
12	80009-09	Orifice	1	**	70342	Hardware Kit (not shown)	1
13	80073	Orifice Adapter	1				

*If Equipped

WARNING: Failure to position the parts in accordance with these diagrams or failure to use only parts specifically approved with this heater may result in property damage or personal injury.

