

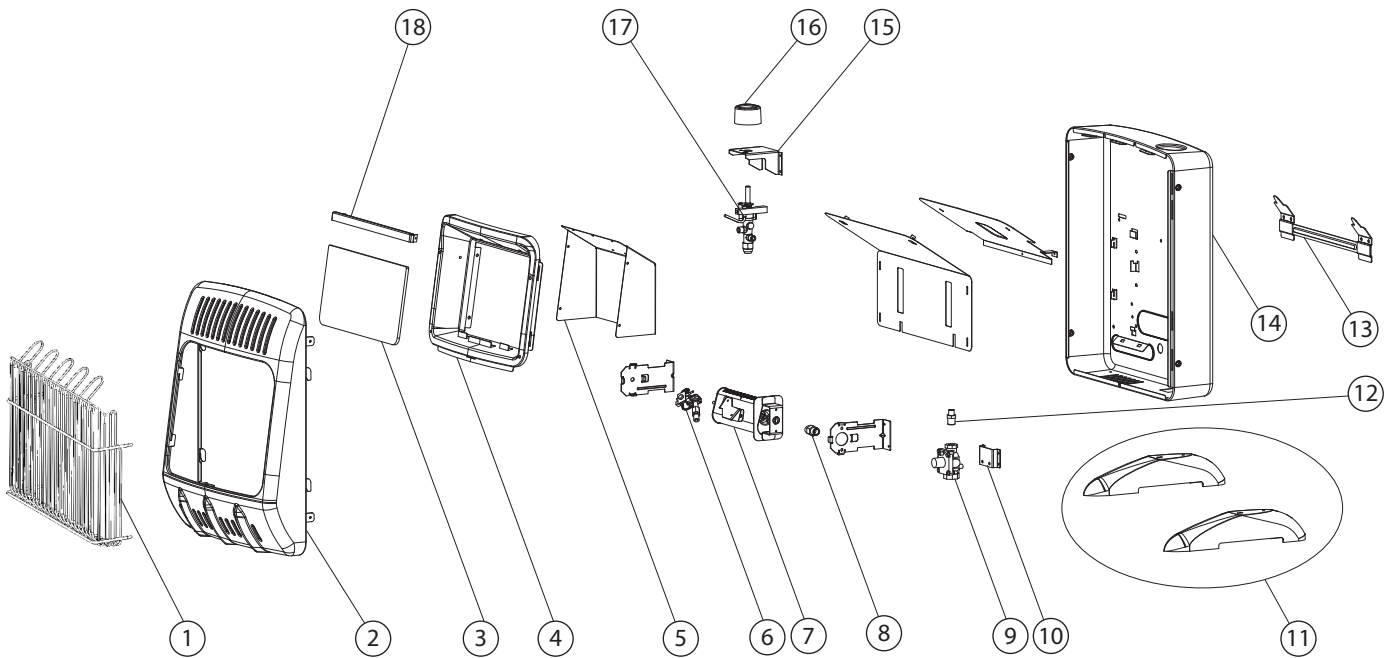
PARTS LIST AND DIAGRAM

MODEL: HSVFBF10NG

ITEM	P/N	PART DESCRIPTION	QTY
1	80121	Wire Guard	1
2	80051	Front Panel	1
3	80038	Glass	1
4	80024	Reflector	1
5	80026	Reflector Back Panel	1
6	80057	ODS Pilot Assembly w/ Thermocouple (NG)	1
7	80017	Burner Assembly	1
8	80009-01	Orifice	1
9	80084	Regulator	1
10	80055	Regulator Mounting Bracket	1

ITEM	P/N	PART DESCRIPTION	QTY
11	80058	Floor Mouting Feet	1
12	NA	Regulator Connection	1
13	80052	Back Panel	1
14	80036	Wall Mounting Bracket	1
15	80005	Valve Bracket	1
16	80006	Knob	1
17	80080-NG	Valve	1
18	80034	Glass Bracket	1
**	70342	Hardware Kit (not shown)	1

WARNING: Failure to position the parts in accordance with these diagrams or failure to use only parts specifically approved with this heater may result in property damage or personal injury.



PARTS LIST AND DIAGRAM

MODEL: HSVFRD10NG			
ITEM	P/N	PART DESCRIPTION	QTY
1	80040	Wire Guard	1
2	80051	Front Panel	1
3	80022	Reflector	1
4	80115	Burner Assembly	1
5	80057	ODS Pilot Assembly w/ Thermocouple (NG)	1
6	80084	Regulator	1
7	80055	Regulator Mounting Bracket	1
8	80058	Floor Mounting Feet	1
9	NA	Regulator Connection	1
10	80036	Wall Mounting Bracket	1
11	80052	Back Panel	1
12	80005	Valve Bracket	1
13	80006	Knob	1
14	80080-NG	Valve	1
**	70342	Hardware Kit (not shown)	1
**	80009-02	Orifice (not shown)	1

WARNING: Failure to position the parts in accordance with these diagrams or failure to use only parts specifically approved with this heater may result in property damage or personal injury.

