

Parts Included

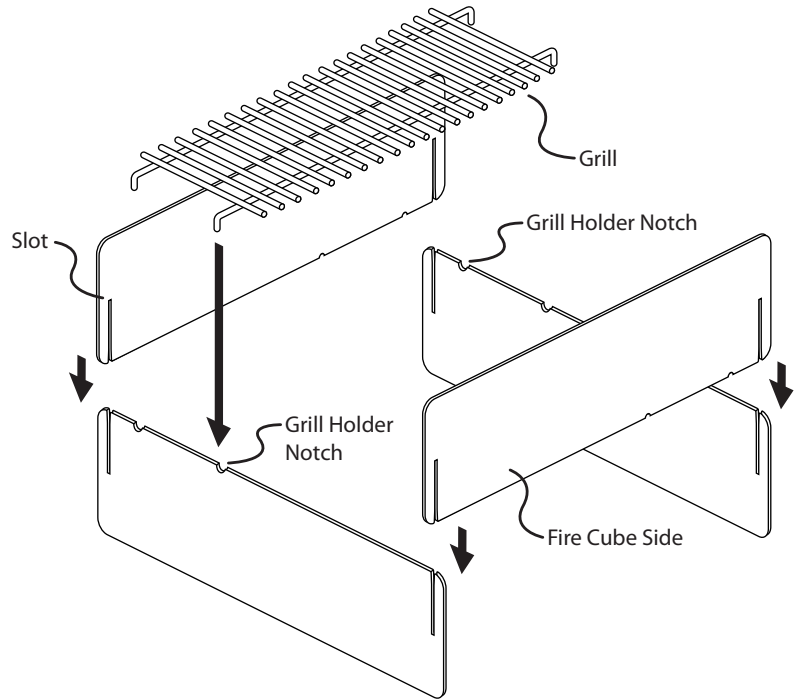
- Fire Cube Sides x4
- Grill x1

Step 1

Align 2 Fire Cube sides so that 2 slots face down and 2 slots face up. Lower the sides onto each other so that the slots align to form the cube.

Step 2

Lower and align Grill to seat into Grill Holder Notches on Fire Cube Sides.



⚠ IMPORTANT SAFETY GUIDELINES - REVIEW THESE SAFETY INSTRUCTIONS PRIOR TO EACH USE

- Always exercise extreme caution.
- Always use in accordance with all applicable national, state and local fire codes.
- For outdoor use only. Do not use indoors or near roofs or awnings.
- For use in a well ventilated and open area.
- Do not use in high winds.
- Do not leave unattended at any time.
- Do not burn trash, leaves, paper, cardboard or plywood.
- Keep children and pets away.
- Use only on noncombustible surfaces such as concrete, brick and rock.
- Never use the fire pit closer than 25 feet from anything flammable, including houses or overhead tree branches.
- Keep away from flammable materials and liquids.
- Never use gasoline or other petroleum based fuels/accelerants.
- Do not move while in use. Always wait until it has completely cooled before handling or moving.
- Do not store with ashes or combustible materials inside. Do not store until the fire is completely out and all surfaces are cold to the touch.
- Discoloration of the finish is normal due to exposure to extreme temperatures and outdoor elements.
- Always have an approved fire extinguisher nearby while using.

⚠ INSTALLATION CLEARANCES

- Never use the fire pit closer than 25 feet from anything flammable, including houses or overhead tree branches.
- The fire pit should be installed and used in accordance with these instructions and local building codes.
- Contact your local building officials to obtain a permit and information on any installation restrictions or inspection requirements in your area.
- Always use in accordance with all applicable national, state and local fire codes.
- Do not store or use gasoline or other flammable liquids or vapors within the vicinity (25 feet) of this fire pit.
- Use this outdoor fire pit with dry, seasoned cordwood, which will create less smoke, burn hotter and more completely.

