

# EZ SERIES 5R

## Replacement for the Ice Cap 5R Series

Islandaire EZ Series 5R is a replacement for Ice Cap 5R units. Our commercial duty construction with heavy gauge galvanized steel and superior components create an efficient reliable unit. This design eliminates the need for any interior or exterior renovation. Use of the existing wall sleeve-cabinet and louver saves time and money, two very important factors in today's competitive environment! If the need does occur where the wall sleeve-room cabinet and/or louver needs to be replaced, please consult the factory for these accessories.



### FEATURES

- Proudly Made in the U.S.A.
- ETL listed products
- Superior Energy Efficiency Ratios (EERs)
- Commercial Duty Construction with Heavy Gauge Galvanized Steel
- Designed for exact replacement of existing sleeve opening
- Energy Efficient Rotary Compressors
- P.S.C. Evaporator and Condenser Motors
- High-Efficiency Refrigeration Coils Used to Provide Superior Heat Transfer
- Units Available as Cooling only, Cooling with Electric Heat, Cooling with Hydronic Heat, or Heat Pumps
- Custom Options Available
- Available with State-of-the-Art Digital *Intellitemp*™ Control System
- Available with wired and wireless wall thermostats
- NYC MEA Number 358-93-E Vol. II

Voltage/Line Cord	
1 - 115v, 20 Amps	7 - 277v, 20 Amps
2 - 230v, 20 Amps	8 - 277v, Junction Box
3 - 230v, 30 Amps	9 - 230v, 15 Amps
4 - 230v, Junction Box	A - 208v, 15 Amps
5 - 115v, 15 Amps	B - 208v, 20 Amps
6 - 115v, Junction Box	C - 208v, 30 Amps
	D - 208v, Junction Box

Cooling Capacity
07 - 7,500 BTU
09 - 9,500 BTU
12 - 12,000 BTU
15 - 15,000 BTU

Model Type
5R - Ice Cap 5R

Functional Options	Functional Option Codes*
A - None	A - A      L - BD
B - Motorized Damper	B - B      T - C
C - Fan Cycle Switch	C - BC     U - CD
D - Indoor Freeze Protect	D - BCD    2 - D

\*Codes are entered into model number.

Component
EZ - Cooling Chassis

System Type
A - Std. Chassis R410A
B - Heat Pump R410A

Return/Discharge Options
1 - Bot. Ret./Top Dis.
4 - Front Ret./Top Dis.
7 - Sloped Top (Restricted)

Identity Code
0 - Special
4 - Standard

**EZ 12 A 2 5R A 1 S 1 4 A A**

Heating Options
A - None Cooling Only
B - 2.5 kW Elec. Heat (208v - 277v)
C - 3.6 kW Elec. Heat (208v - 277v)
D - 4.2 kW Elec. Heat (208v - 277v)
E - 5.0 kW Elec. Heat (208v - 277v)
F - Hyd. Fan Cycle W/T-Stat (115v - 277v)
G - Hyd. With Aquastat (115v - 277v)

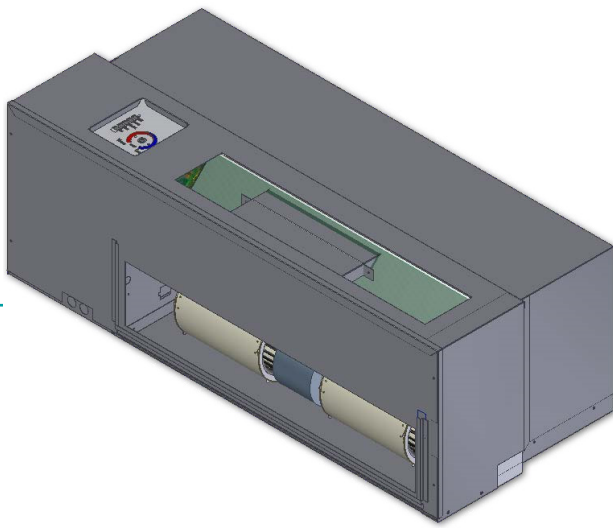
Hydronic Options
1 - None
2 - 24v NC Valve
3 - 115v NC Valve
4 - 230v NC Valve
5 - 277v NC Valve
6 - 24v NO Valve
7 - 115v NO Valve
8 - 230v NO Valve
9 - 277v NO Valve

Room Controls
C - Wall Thermostat Interface, Relays
F - Wall Thermostat Interface, Master
G - Wall Thermostat Interface, Slave
M - Wall Thermostat Interface, Intellitemp
N - Wall Thermostat Interface, Std. Elect. Cntrls
S - Std. Electronic Controls (Unit Mounted)
T - Intellitemp Controls (Unit Mounted)

Power Mgt. Options	Power Mgt. Codes*
A - None	A - A
C - Energy Mgt. N/O	P - C
D - Energy Mgt. N/C	T - D

\*Codes are entered into model number.

\*Specifications are subject to change due to ongoing product development.



## MODELS

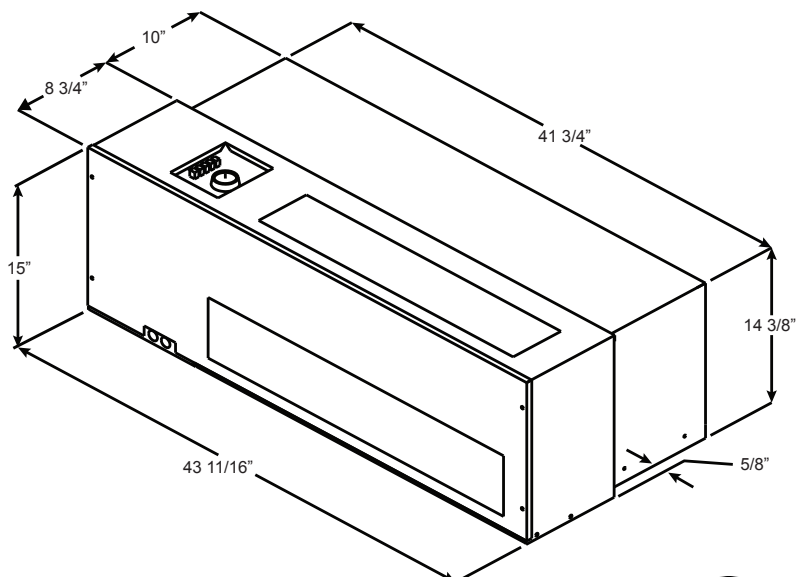
	EZ07				EZ09				EZ12				EZ15		
VOLTS	115	230	208	277	115	230	208	277	115	230	208	277	230	208	277
BTUH COOL	7,000	7,000	6,800	7,000	9,500	9,500	9,300	9,500	12,000	12,000	12,000	12,000	14,200	14,000	14,200
AMPS COOL	6.48	3.24	3.46	2.69	9.17	4.59	4.95	3.81	11.96	5.98	6.61	4.96	7.80	8.51	6.48
WATTS COOL	745	745	720	745	1,055	1,055	1,030	1,055	1,375	1,375	1,375	1,375	1,795	1,770	1,795
EER	9.42	9.42	9.42	9.42	9.01	9.01	9.01	9.01	8.72	8.72	8.72	8.72	7.91	7.91	7.91
CFM HIGH COOL	375	375	375	375	400	400	400	400	425	425	425	425	450	450	450
CFM LOW COOL/HEAT	320	320	320	320	350	350	350	350	350	350	350	350	400	400	400
BTUH HEATING	7,100	7,100	6,900	7,100	9,300	9,300	9,100	9,300	11,400	11,400	11,200	11,400	14,300	14,200	14,800
WATTS HEATING	755	756	735	756	1015	1015	995	1015	1280	1280	1255	1280	1645	1630	1700
C.O.P.	2.75	2.75	2.75	2.75	2.68	2.68	2.68	2.68	2.61	2.61	2.61	2.61	2.55	2.55	2.55

Heating Option	Voltage (l)	Wattage	BTU/h	Amps (2)
B	208	2,045	7,000	9.83
	230	2,500	8,500	10.87
	277	2,500	8,500	9.03
C	208	2,945	10,000	14.16
	230	3,600	12,300	15.65
	277	3,600	12,300	13.00
D	208	3,435	11,700	16.51
	230	4,200	14,300	18.26
	277	4,200	14,300	15.16
E	208	4,090	13,900	19.66
	230	5,000	17,100	21.74
	277	5,000	17,100	18.05

Heating capacities specified in accordance with ARI standard 380-82 at conditions of 47 °F WB outdoor and 70 °F DB/60 °F WB indoor. Wattage, Amperage, COP, EER listings include compressor, evaporator motor and condenser fan motor. Cooling capacities specified in accordance with ARI standard 380-82 at conditions of 95 °F DB/75 °F WB outdoor and 80 °F DB/67 °F WB indoor.

- (1) Voltage is Single Phase, Alternating Current and R.M.S.
- (2) Amp values are for heating element only.

Line Voltage	Maximum Amperage	Wall Socket Configuration	Receptacle Number	Electrical Heat Options
115	16		NEMA 5-20R	N/A
208/230	12		NEMA 6-15R	N/A
208/230	16		NEMA 6-20R	2.5 - 3.6
208/230	24		NEMA 6-30R	4.2 - 5.0
277	16		NEMA 7-20R	2.5 - 5.0



NYC MEA# 358-93-E Vol. II

