



Human friendly

Switch & Steam Deck Dock

User Manual



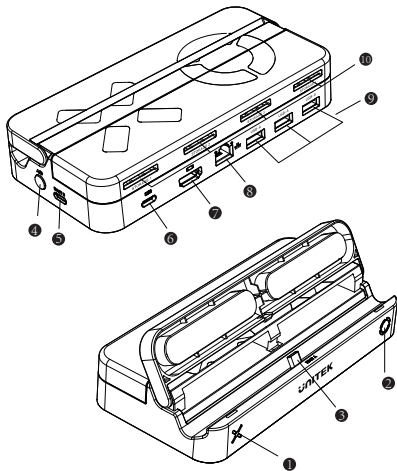
Human friendly

English

Thank you for choosing Unitek Switch and Steam Deck Docking Station. Please read the user manual carefully before use and save them. If you need any help, please contact our professional customer service team at:

support_us@unitek-products.com

Product Overview



- ① Power indicator
- ② Power indicator
- ③ Host/A Switch access port
- ④ Host switch button
- ⑤ Host/B access port
- ⑥ PD3.0
- ⑦ HDMI2.0
- ⑧ RJ45
- ⑨ USB3.0HUB
- ⑩ Game Card Storage Slot

Package Content

- 1 x Unitek Switch and Steam Deck Docking Station
- 1 x USB C to C 10Gbps Cable 1m

Function

- 1.4 game card storage slots;
2. Support upstream Type C / M (A) Type C / F (B) switching; can be used as a SWITCH game console docking station can also be used as a computer docking station, multi-purpose, reduce repeated investment. 4. HDMI2.0b support up to 4K60Hz backward compatible with 1080P, but SWITCH only supports 1080P output, but other hosts can realize the 1080P output;
3. HDMI2.0b support up to 4K60Hz backward compatible with 1080P, etc., but SWITCH only supports 1080P output, other hosts

- can achieve the highest 4K60Hz output. 5. support for HDCP 1.3 and HDMI 2.0b;
4. Support for HDCP 1.3/2.2/2.3, and support for HDR10 and HDR12
5. USB3.0 HUB*3, support 5Gbps/480Mbps transfer rate, suitable for expanding USB peripherals. 7;
6. RJ45 interface adaptive 10/100/1000Mbps Ethernet network transmission, compliant to IEEE 802.3 standard, compliant to IEEE 802.3, 802.3u and 802.3ab; support IPv4/IPv6. 6;
7. Support AUTO-MDIX, flow control (IEEE 802.3 Annex.31B)
8. Support PD3.0 version, power supply maximum power 100W, that is, 20V/5A;

LED indicator status

Two "X/O" type guide lights on the front, beige color, always on when power is on;

RJ45 interface

Yellow: data transmitting and receiving light, blinking when there is data transmission;

Green: Network cable connection light, always on when the cable is inserted;

Warranty

The Unitek Switch and Steam Deck Docking Station is covered by Unitek warranty for 24 months. If the product fails due to manufacturer defects, please contact us by email at:

support_us@unitek-products.com

