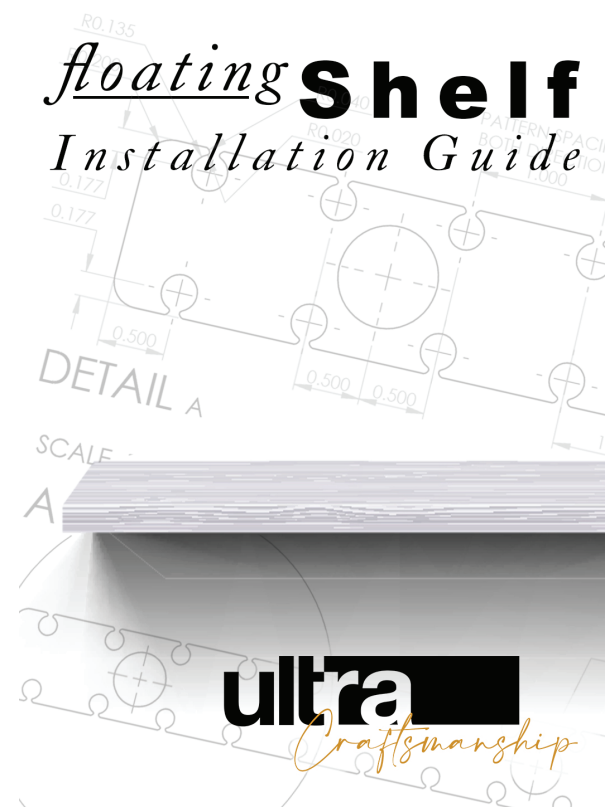



floating Shelf

Installation Guide



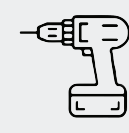
Items Included


Floating Shelf 

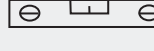
Studlock Bracket 


Wood Screws 


Tools You'll Need

Drill 

Measuring Tape 

Level 

Pencil 

Stud Finder 

Need More Installation Help?

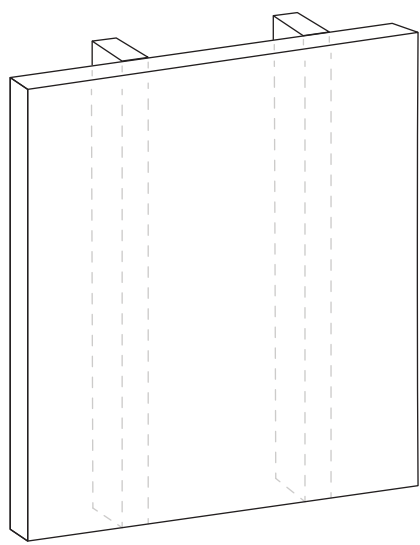
Contact us using any of these options.

- Email us at support@ultrashelf.com
- Live Chat on our website
- Call 888-523-5575

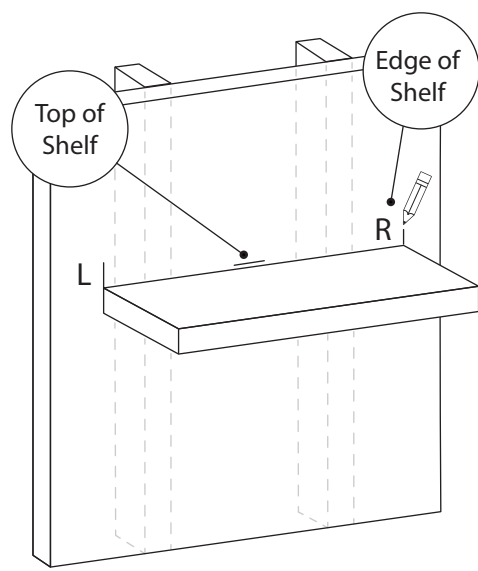


www.ULTRASHELF.com

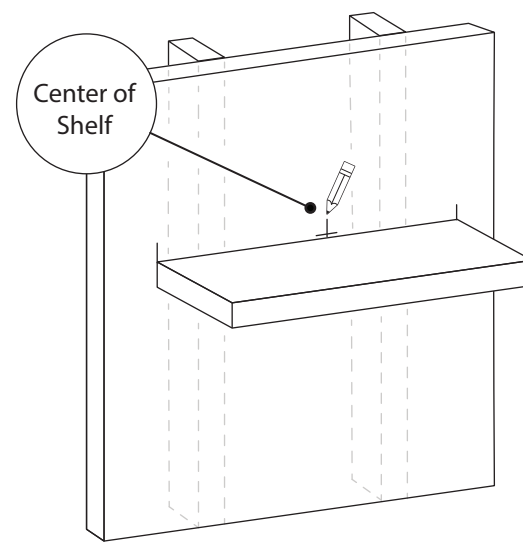
1 FIRST: DETERMINE YOUR DESIRED LOCATION FOR YOUR SHELF.



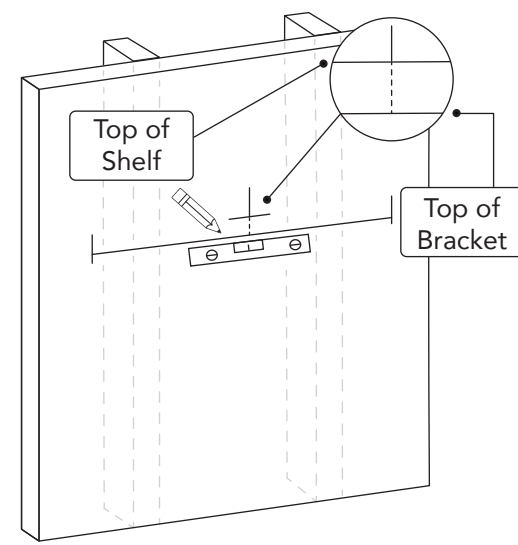
2 With your pencil, mark where the top, left, and right edge of the shelf will be.



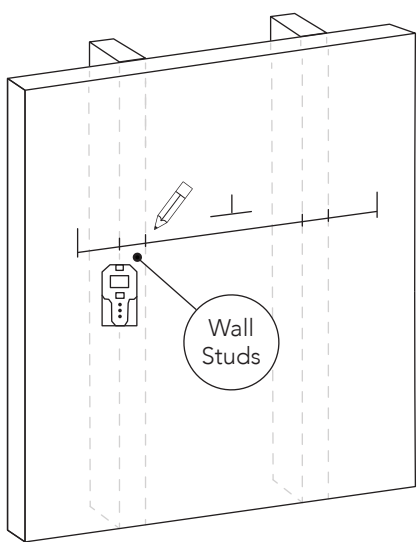
3 Mark with your pencil where the center of the shelf will be.



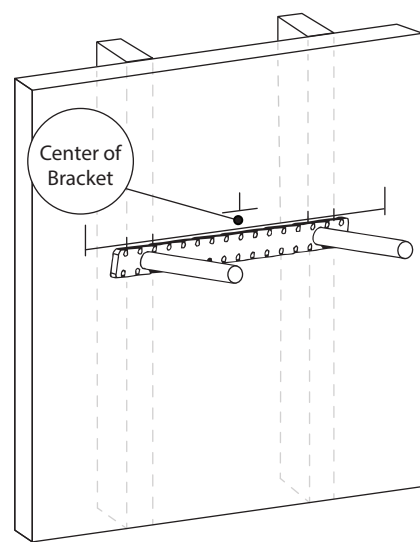
4 NEXT: DETERMINE THE LOCATION OF YOUR BRACKET. Using a level and pencil, draw a horizontal line marking where the top of the bracket will be. Please note that the top of your shelf will be higher than the top of your bracket, for exact measurements refer to tip A.



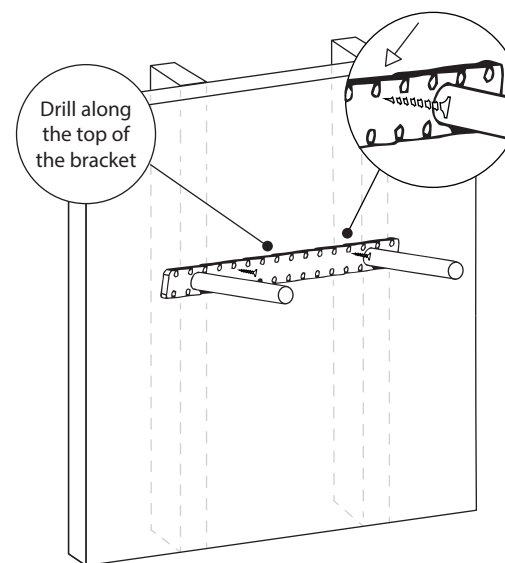
5 Using a stud finder and pencil, mark the outside edges of the studs.



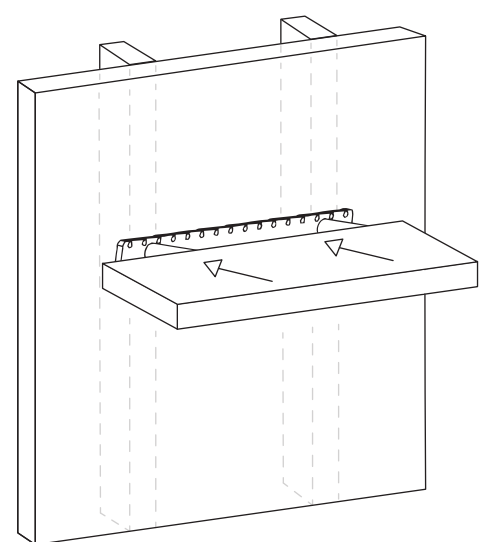
6 Place your bracket on the wall aligning the center of the bracket with your center line that you drew from step 3 and align the top of the bracket with the horizontal line from step 4.



7 Using a power drill with drill bit and supplied screws, drill the screws into the studs. Note: You only have to drill screws along the top of the bracket. Bottom screwholes are an accessory.



8 Slide your shelf onto the bracket - You're done! Wasn't that simple! Now the fun part - style your shelves!



A Installation Tips

- The distance from the top of your shelf to the top of your bracket will be determined by the thickness of your shelf. See the table below for more details.

Shelf Thickness	Measurement from top of shelf to top of bracket
1.25"	1/8"
1.75"	1/4"
2"	3/8"
3"	7/8"
5"	1-7/8"

B Installation Tips

- Your shelf is designed to fit tight, so it may require additional force when sliding your shelf onto the bracket. If your shelf won't go in all the way, consider the following:

1. Tap the shelf into place using a rubber mallet (protect it with a thick cloth or towel first).
2. Force the shelf on by wiggling up and down and side to side while pushing it against the wall.

C Installation Tips

- If your shelf will not sit level after installing it, place a shim behind the bracket to set your shelf level.
- If you are unable to secure your bracket to wall studs, then drywall anchors may be used instead. Toggle Bolts are the recommended anchors for our shelves, and can be purchased at a hardware store or on our website. www.ultrashelf.com/products/drywall-anchor
- If your shelf can wiggle up and down wrap electrical tape around the end of the bracket rods.

Want More Installation Tips?

Scan the QR code below to visit our websites shelf installation FAQ page.



SCAN ME

For more information contact our customer service team at support@ultrashelf.com or by phone 888-523-5575.