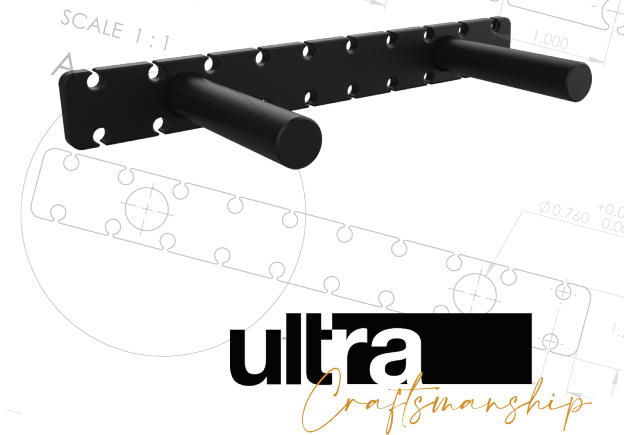


hidden Bracket Installation Guide



Ultra Shelf Tools

Auger Bit



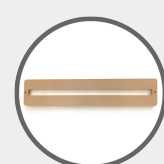
Drilling Jig



Router Bit



Routing Jig



Tools You'll Need

Drill



Measuring Tape



Level



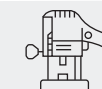
Pencil



Stud Finder



Router



Need More Installation Help?

Contact us using any
of these options.

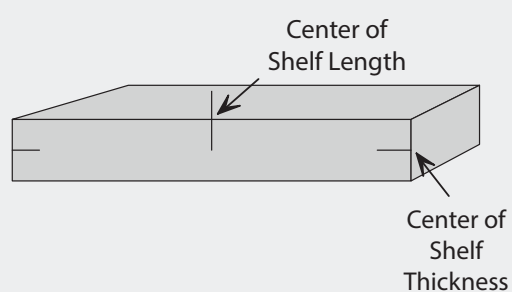
- Email us at support@ultrashelf.com
- Live Chat on our website
- Call 888-523-5575



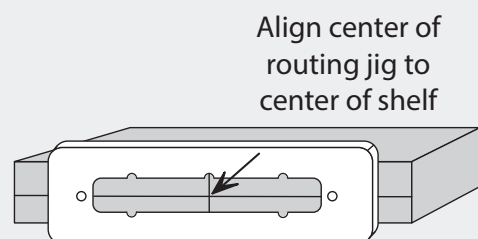
www.ULTRASHELF.com

Drill your shelf for bracket rods (the routing jig is a template to determine the location of drilling jig)

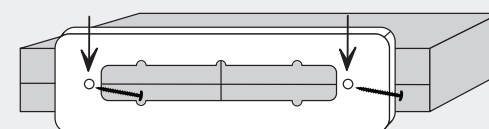
- 1** Measure both the length and thickness of your shelf and mark the center point for each.



- 2** Line up the center of your routing jig to the center of your shelf for both length and thickness (notice center marks on routing jig for aligning).

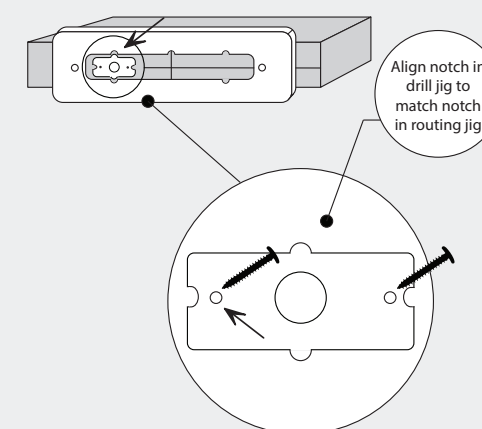


- 3** Secure the routing jig to the shelf using the supplied screws (notice the pre-drilled holes in the routing jig for drilling)



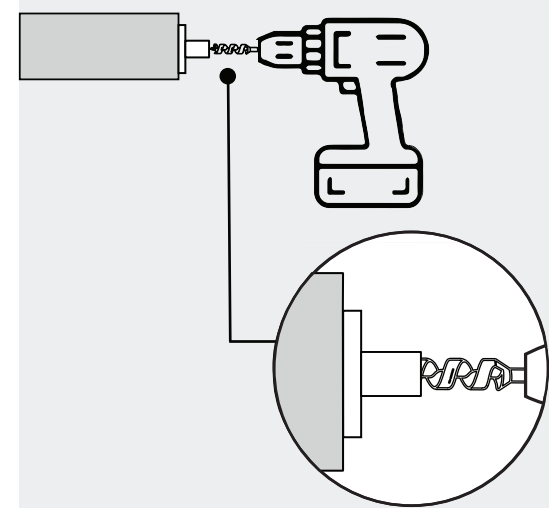
- 4** Align the center of the drilling jig with the notches in the routing jig and secure it to the shelf with supplied screws.

Note: For mantel brackets, rotate the drilling jig to fit vertically inside the routing jig. See mantel bracket tip below for details.



- 5** Using a power drill and an Ultra Shelf Auger Bit, drill the holes for the bracket rods.

Repeat the drilling process for all bracket rods going into your shelf.



- 6 Router your shelf for Recessed Bracket**

Leave the routing jig attached.

With your router, carve out the space for your bracket using a 3/4" Diameter x 5/16" deep router bit.

Several passes may be needed to achieve the required depth for your bracket.

- 7 Sand and Stain your Shelf**

Now that your shelf is ready for bracket fitting, you can finish sanding and staining it with your desired wood finish. (For stain recommendations, contact our support team!)

Explore Our Bracket Collection

Check out our full range of patent-pending studlock brackets.

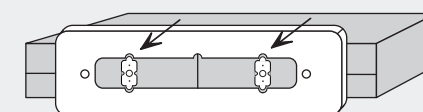
DIY Bracket - (named the "niner" bracket because it's 9/10 of an inch tall) for shelves that are 1-1/2" thick. If you're using dimensional lumber which are 2x6's, 2x8's, 2x10s, and 2x12s then you'll use this bracket. Note: dimensional lumber is 1-1/2" thick even though they are called 2x6's etc. thus the reason for using the 9ER bracket.

Ultra Bracket - for shelves that are 1-3/4" to 2-3/4" thick. These are for most shelves that are made from hardwoods such as walnut, oak, alder, maple, and others. This is our most popular bracket.

The Mantel Bracket - for shelves 3" and thicker.

Mantel Bracket Tip

For mantel brackets, the drilling jig fits vertically into the routing jig.



Mount Bracket to Wall

Continue on backside for instructions.



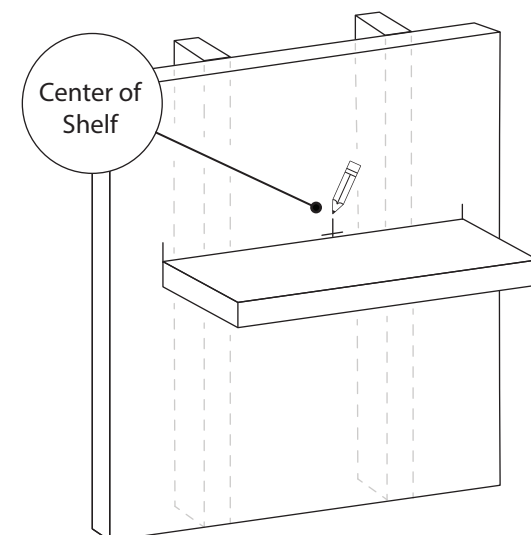
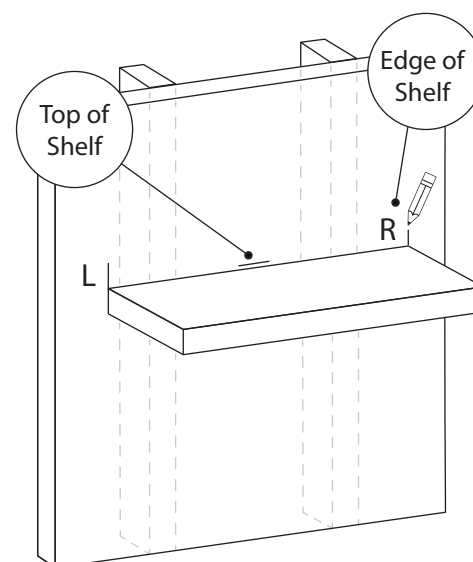
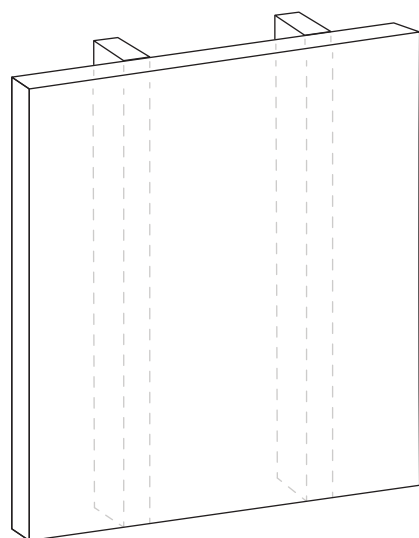
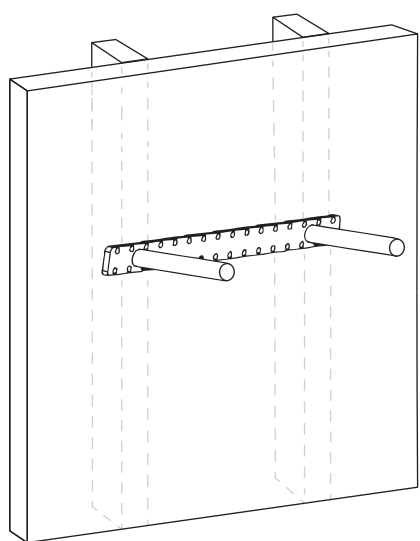
For more information contact our customer service team at support@ultrashelf.com or by phone 888-523-5575.

HOW TO MOUNT YOUR BRACKET TO THE WALL.

1 FIRST: DETERMINE YOUR DESIRED LOCATION FOR YOUR SHELF.

2 With your pencil, mark where the top, left, and right edge of the shelf will be.

3 Mark with your pencil where the center of the shelf will be.

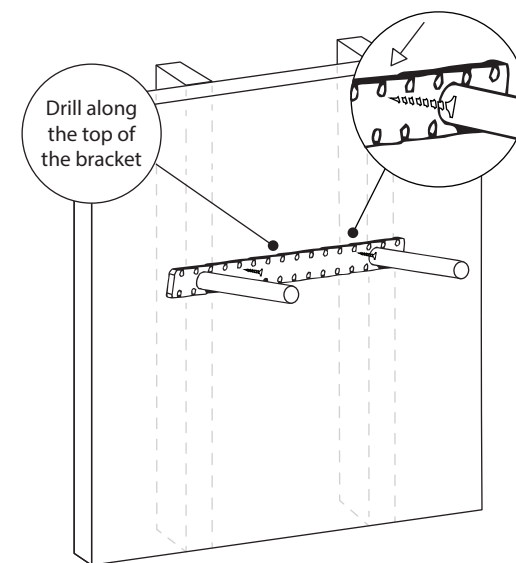
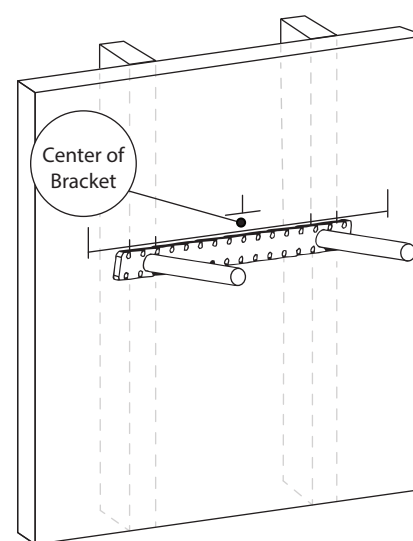
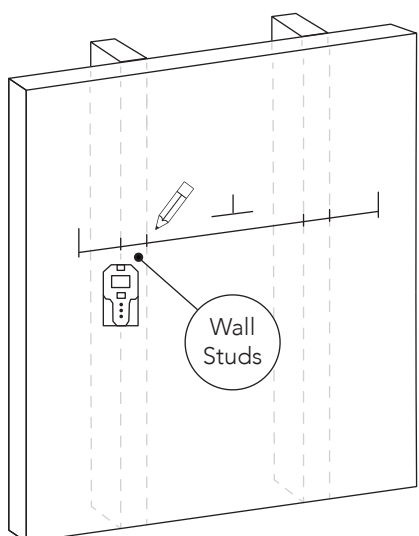
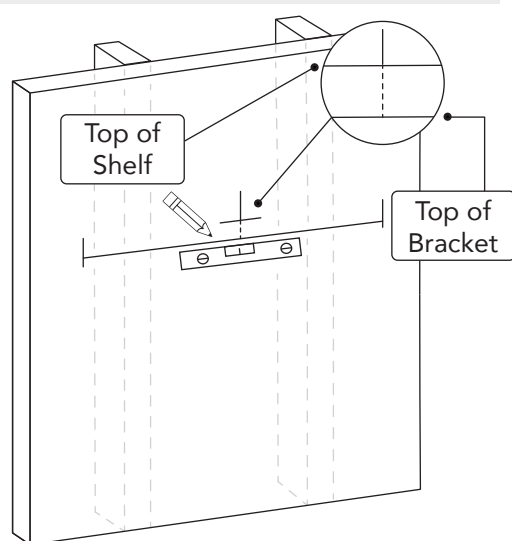


4 NEXT: DETERMINE THE LOCATION OF YOUR BRACKET. Using a level and pencil, draw a horizontal line marking where the top of the bracket will be. See **tip A** to determine the distance from the top of the shelf to the top of the bracket.

5 Using a stud finder and pencil, mark the outside edges of the studs.

6 Place your bracket on the wall aligning the center of the bracket with your center line that you drew from step 3 and align the top of the bracket with the horizontal line from step 4.

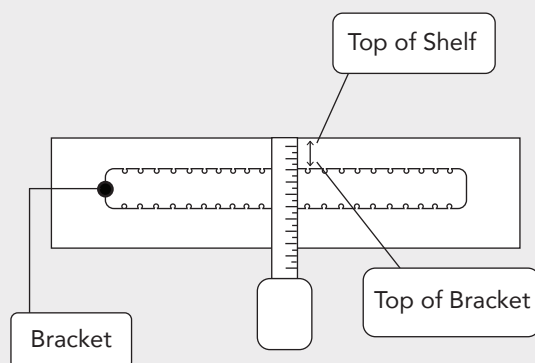
7 Using a power drill with drill bit and supplied screws, drill the screws into the studs. Note: You only have to drill screws along the top of the bracket. Bottom screwholes are an accessory.



8 Slide your shelf onto the bracket - You're done! Wasn't that simple! Now the fun part - style your shelves!

A *Installation Tips*

- To figure out the distance from the top of the shelf to the top of the bracket, place the bracket in your shelf and measure.



B *Installation Tips*

- Your shelf is designed to fit tight, so it may require additional force when sliding your shelf onto the bracket. If your shelf won't go in all the way, consider the following:

- Tap the shelf into place using a rubber mallet (protect it with a thick cloth or towel first).
- Force the shelf on by wiggling up and down and side to side while pushing it against the wall.

C *Installation Tips*

- If your shelf will not sit level after installing it, place a shim behind the bracket to set your shelf level.
- If you are unable to secure your bracket to wall studs, then drywall anchors may be used instead. Toggle Bolts are the recommended anchors for our shelves, and can be purchased at a hardware store or on our website.
www.ultrashelf.com/products/drywall-anchor
- If your shelf can wiggle up and down wrap electrical tape around the end of the bracket rods.

