

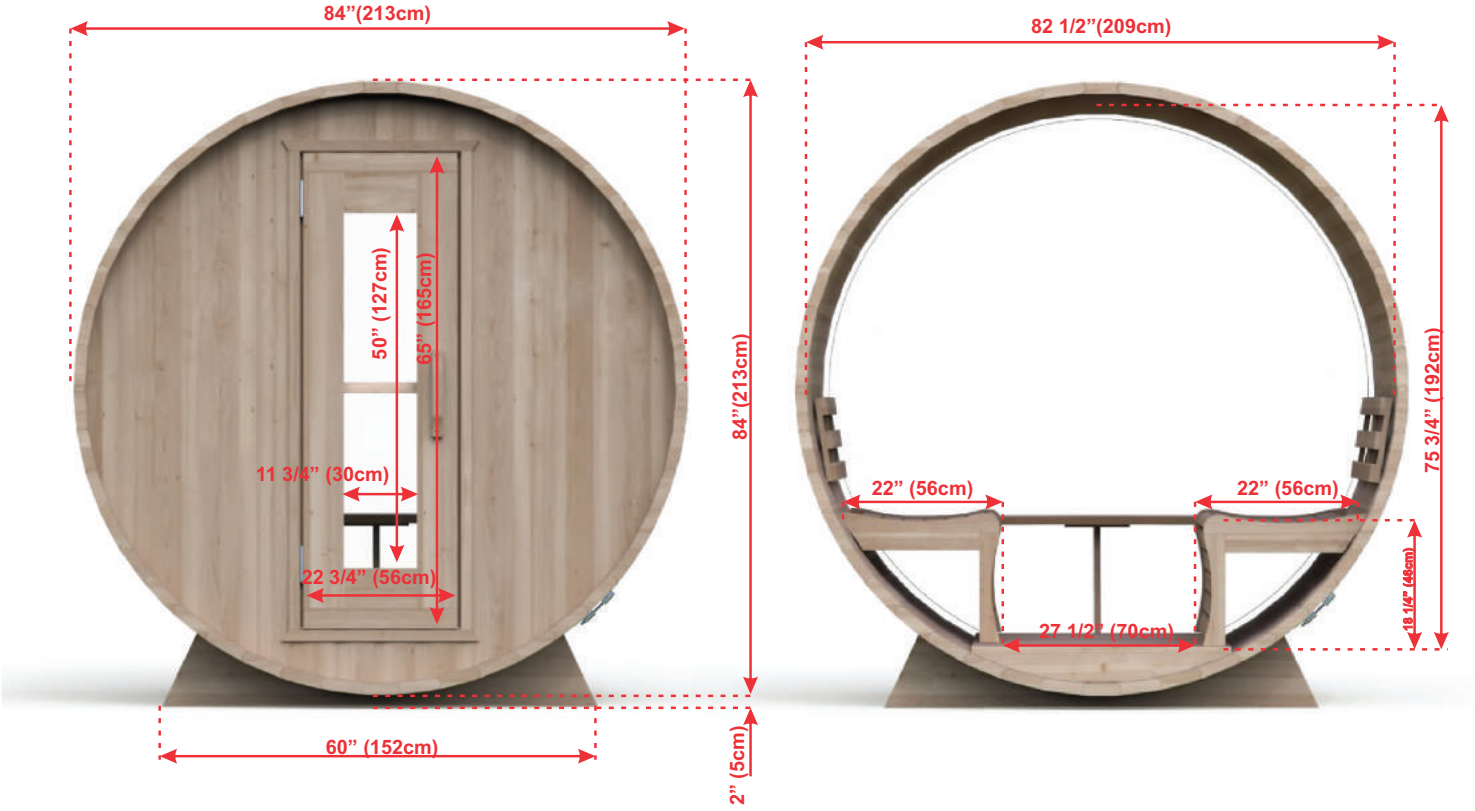


**BARREL SAUNA PACKAGE FEATURES:**

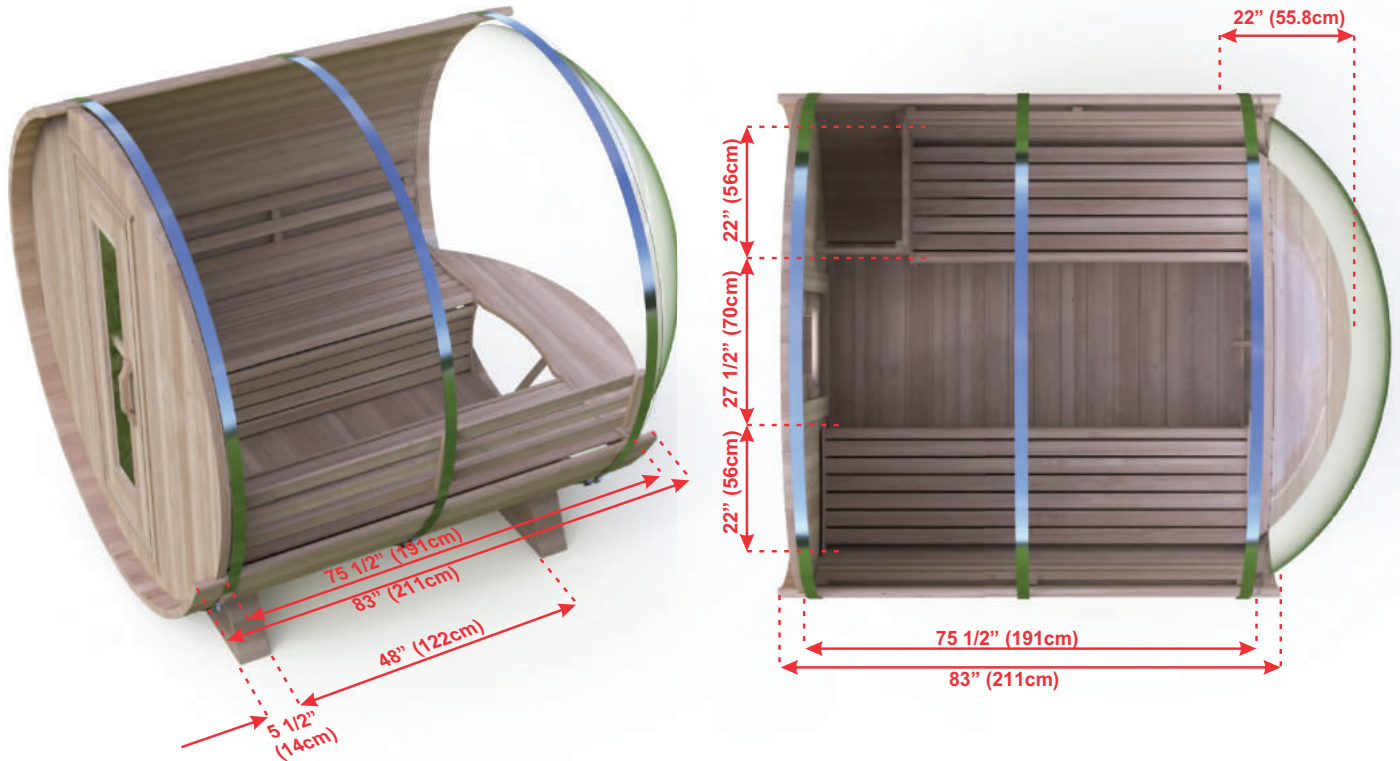
- Made in Canada with Canadian Cedar
- Easy to assemble package.
- Marine Grade aluminum bands with stainless hardware.
- Bronze tempered glass in door.
- Package includes Towel Bar and 2 Backrests.

**BARREL SAUNA PACKAGE OPTIONS:**

- 2' (60cm) Front Porch
- 4' (120cm) Changeroom with Benches
- Overhang Cove on Front
- 2 Windows in Front Wall
- Woodburning or Electric Heaters
- Signature Bench Upgrades



# MODEL 770PV



## PACKAGE SIZE:

- 1. 90x45x32" 228x114x81cm
- 2. 90x90x30" 228x228x76cm

## PRODUCT WEIGHT:

- 1. 1175 lbs 532 kg
- 2. 232 lbs 105 kg



[www.dundalkleisurecraft.com](http://www.dundalkleisurecraft.com)



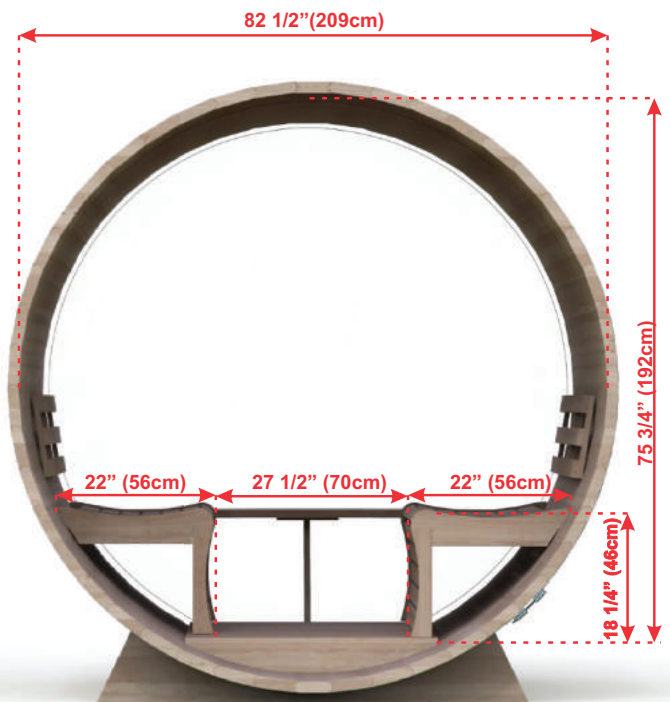
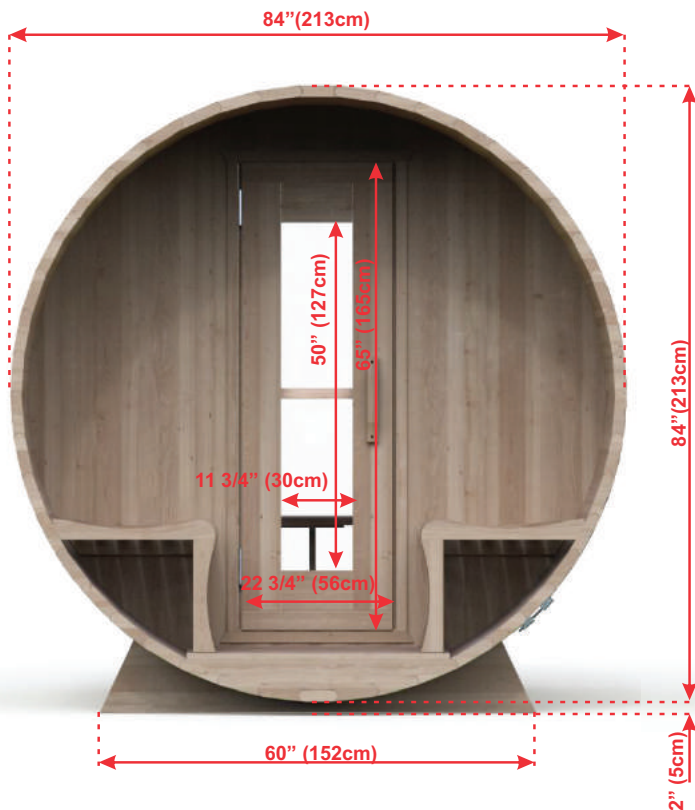


**BARREL SAUNA PACKAGE FEATURES:**

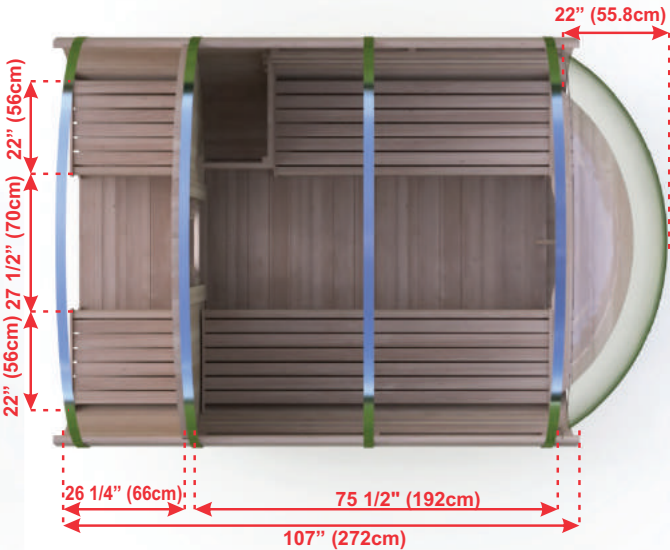
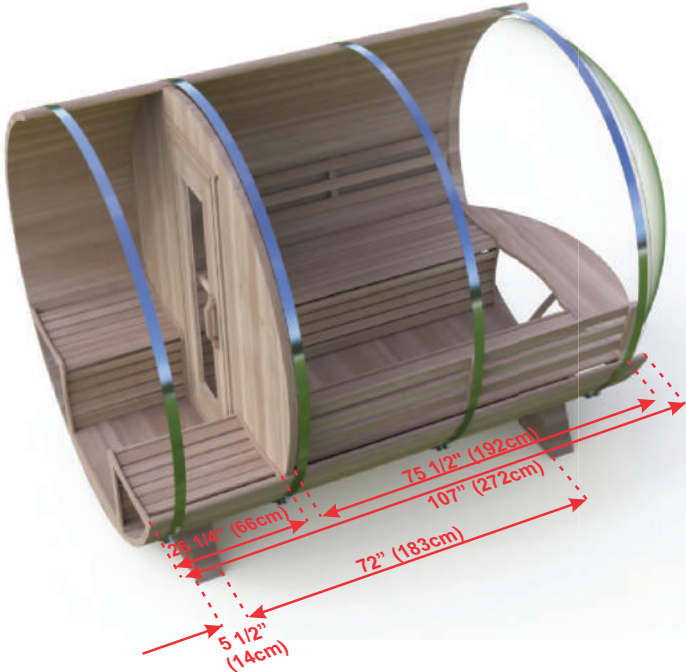
- Made in Canada with Canadian Cedar
- Easy to assemble package.
- Marine Grade aluminum bands with stainless hardware.
- Bronze tempered glass in door.
- Package includes Towel Bar and 2 Backrests.

**BARREL SAUNA PACKAGE OPTIONS:**

- 2' (60cm) Front Porch
- 4' (120cm) Changeroom with Benches
- Overhang Cove on Front
- 2 Windows in Front Wall
- Woodburning or Electric Heaters
- Signature Bench Upgrades



# MODEL 770PV With Porch



**PACKAGE SIZE:**

- 1. 111x45x32"    281x114x81cm
- 2. 90x90x30"    228x228x76cm

**PRODUCT WEIGHT:**

- 1. 1325 lbs    601 kg
- 2. 232 lbs    105 kg





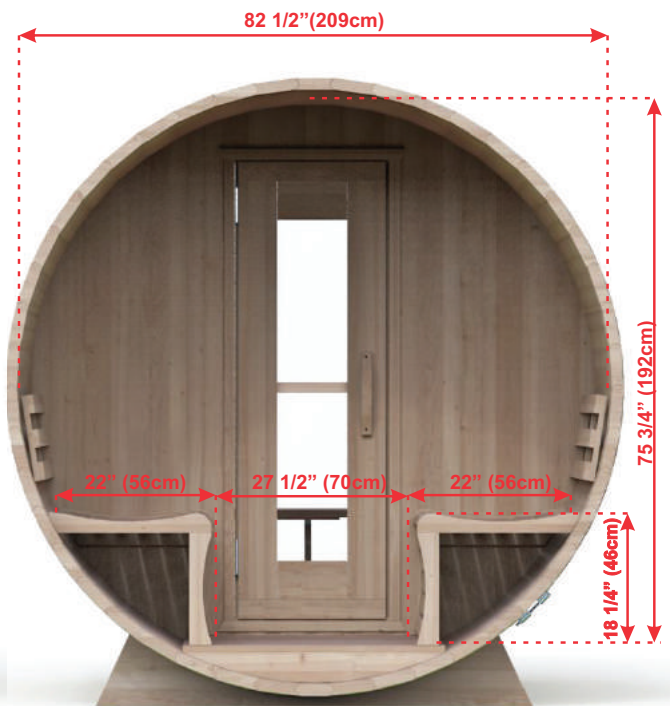
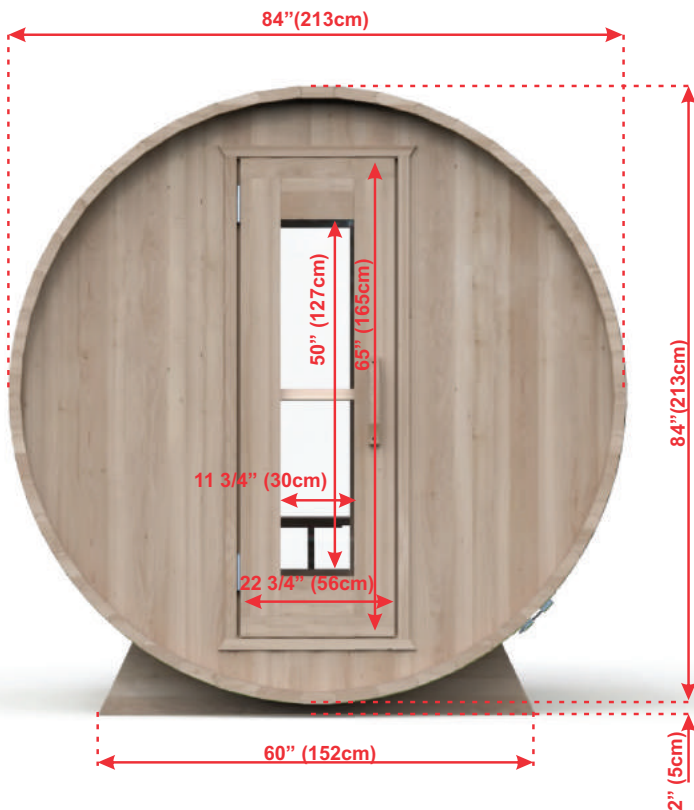


### BARREL SAUNA PACKAGE FEATURES:

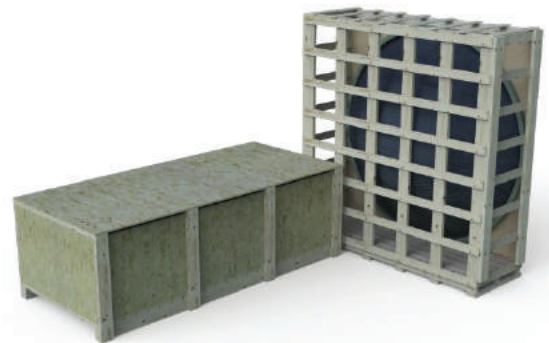
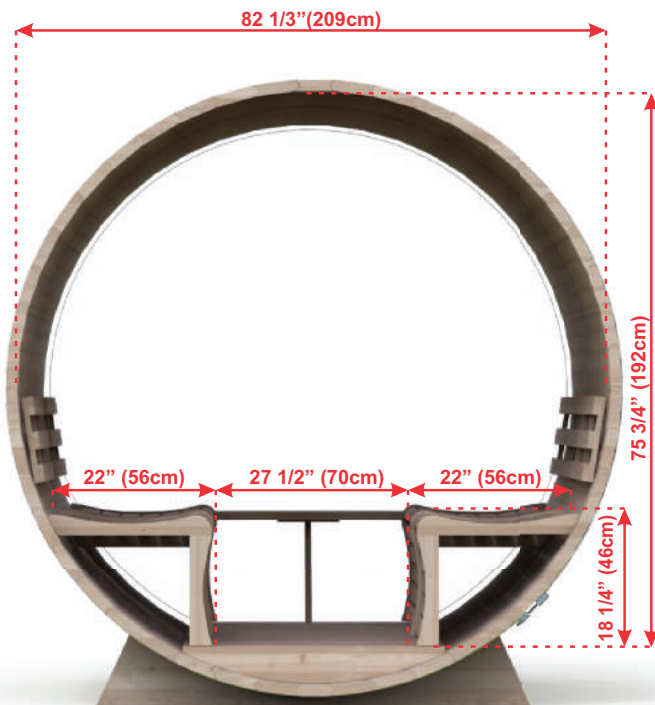
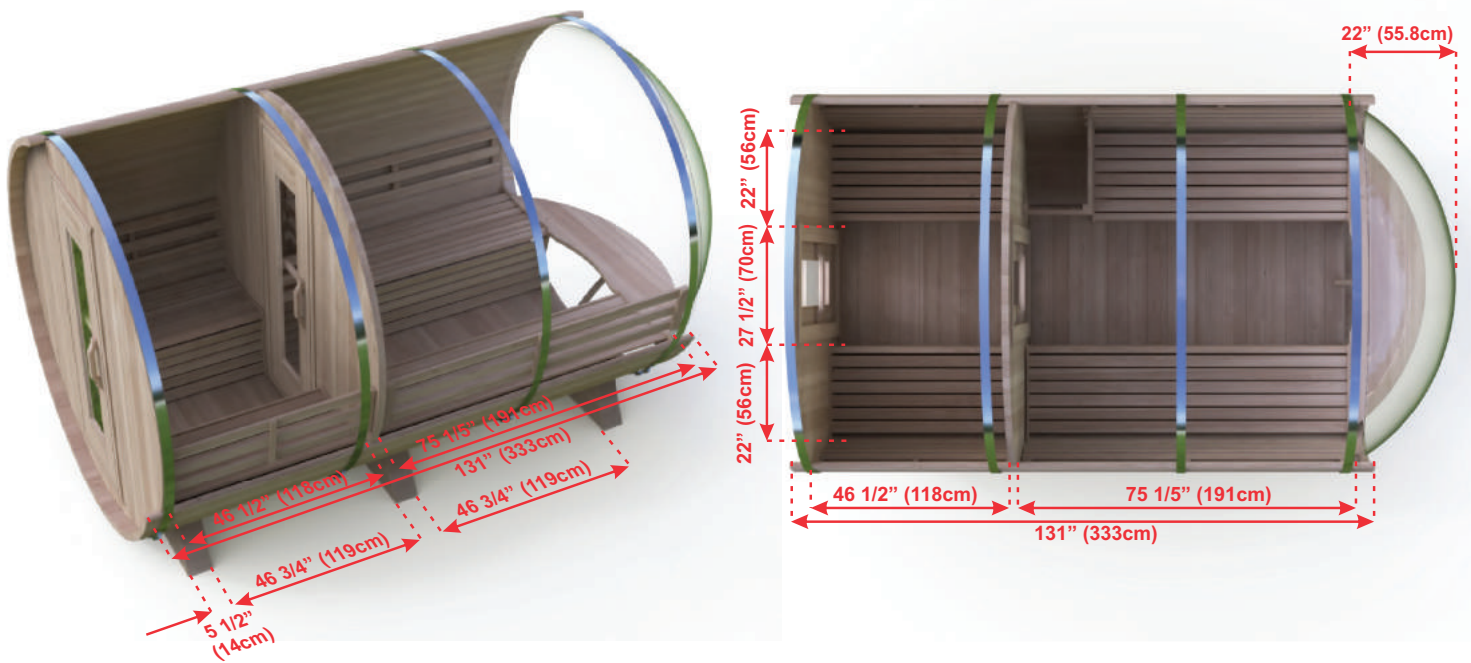
- Made in Canada with Canadian Cedar
- Easy to assemble package.
- Marine Grade aluminum bands with stainless hardware.
- Bronze tempered glass in door.
- Package includes Towel Bar and 2 Backrests.

### BARREL SAUNA PACKAGE OPTIONS:

- 2' (60cm) Front Porch
- 4' (120cm) Changeroom with Benches
- Overhang Cove on Front
- 2 Windows in Front Wall
- Woodburning or Electric Heaters
- Signature Bench Upgrades



# MODEL 770PV With Changeroom



## PACKAGE SIZE:

1. 135x45x32" 342x114x81cm
2. 90x90x30" 228x228x76cm

## PRODUCT WEIGHT:

1. 1575 lbs 714 kg
2. 232 lbs 105 kg



[www.dundalkleisurecraft.com](http://www.dundalkleisurecraft.com)