

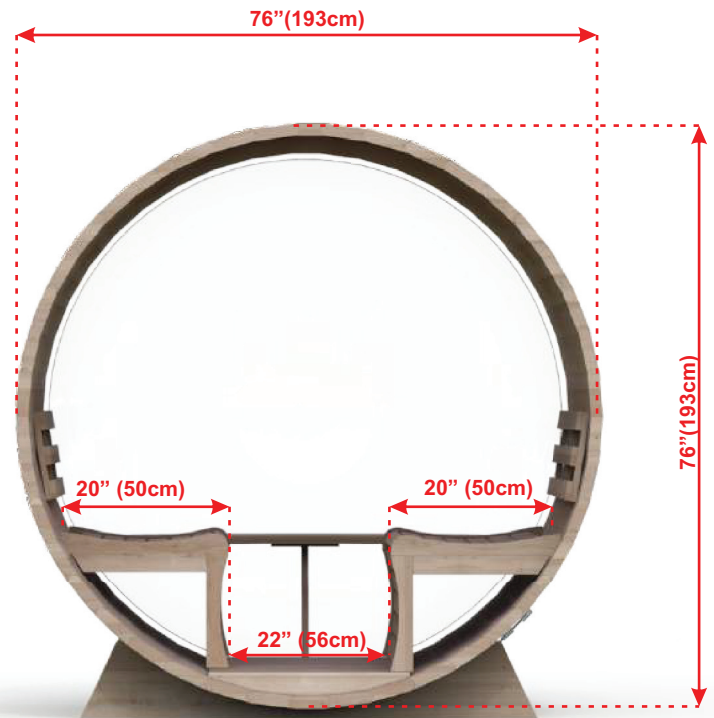
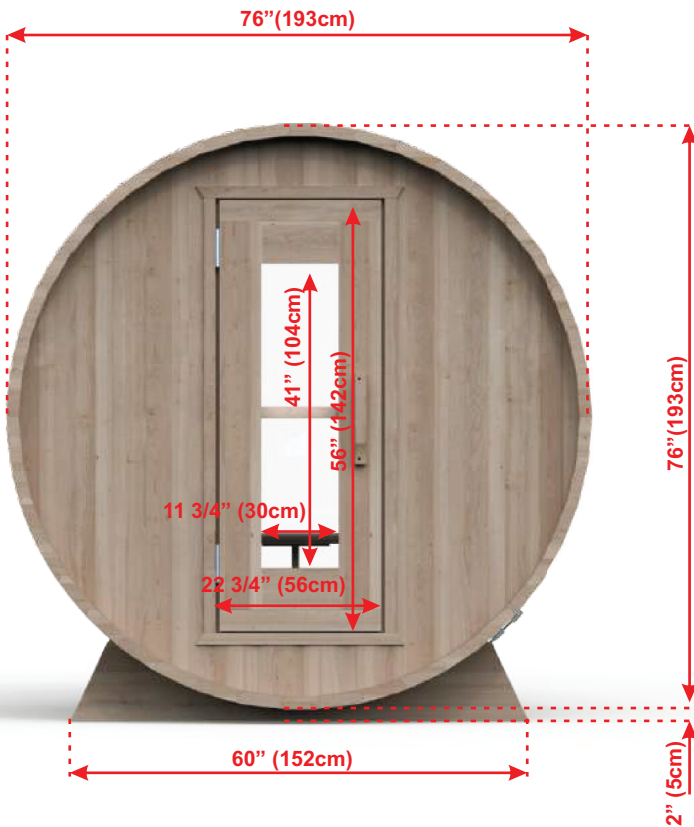


**BARREL SAUNA PACKAGE FEATURES:**

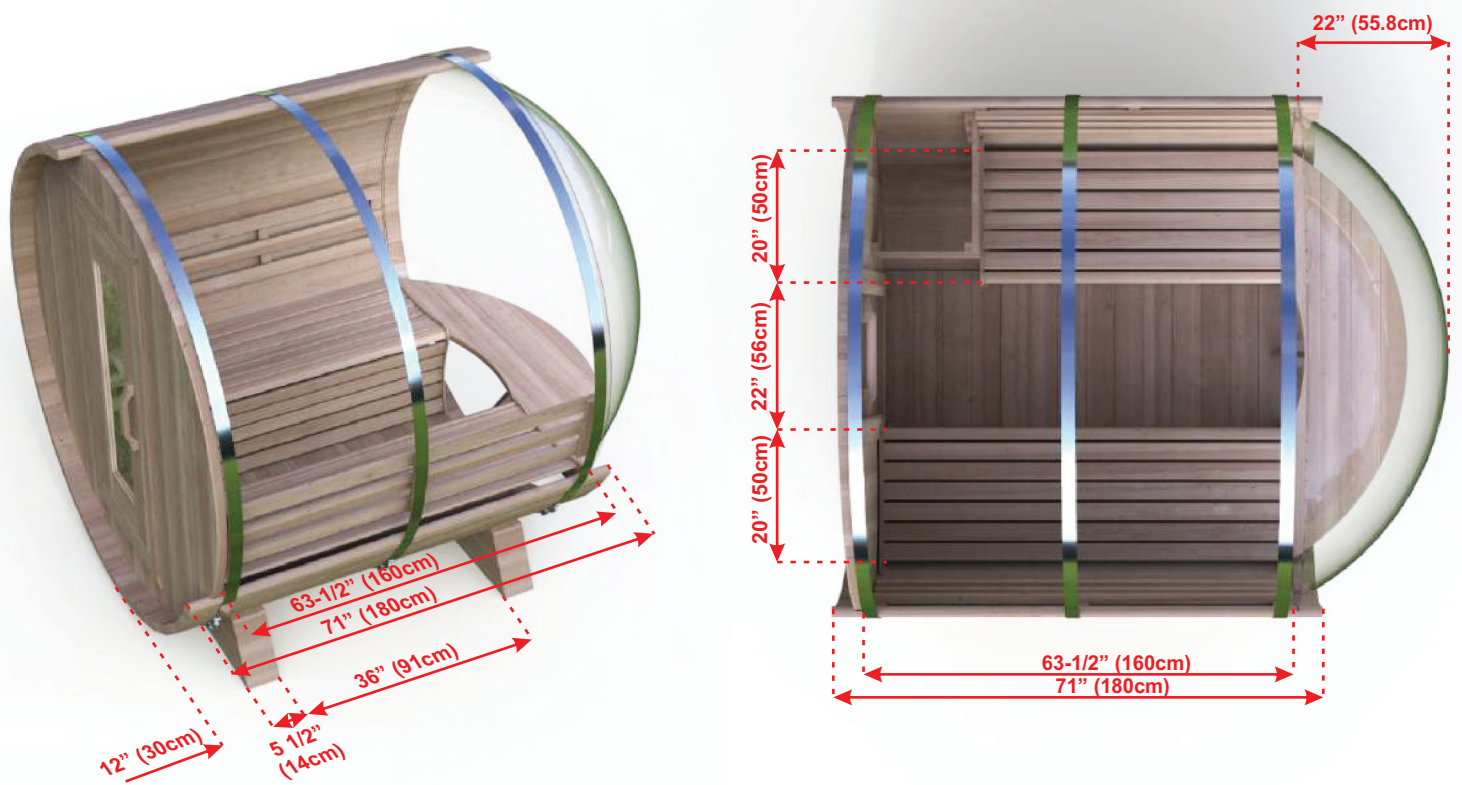
- Made in Canada with Canadian Cedar
- Easy to assemble package.
- Marine Grade aluminum bands with stainless hardware.
- Bronze tempered glass in door.
- Package includes Towel Bar and 2 Backrests.

**BARREL SAUNA PACKAGE OPTIONS:**

- 2' (60cm) Front Porch
- 4' (120cm) Changeroom with Benches
- Overhang Cove on Front
- 2 Windows in Front Wall
- Woodburning or Electric Heaters
- Signature Bench Upgrades



# MODEL 660PV



## PACKAGE SIZE:

1. 75x45x32" 190x114x81cm
2. 90x90x30" 228x228x76cm

## PRODUCT WEIGHT:

1. 932 lbs 422 kg
2. 232 lbs 105 kg



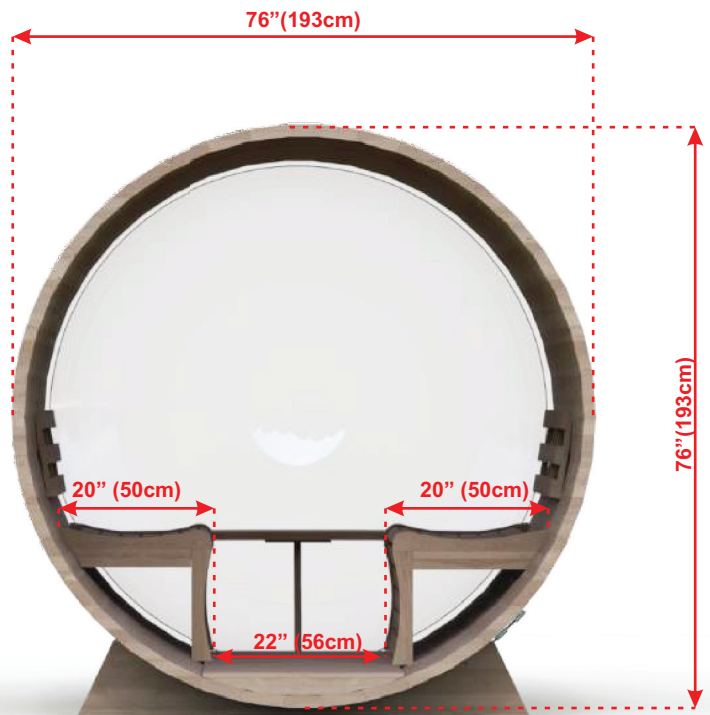
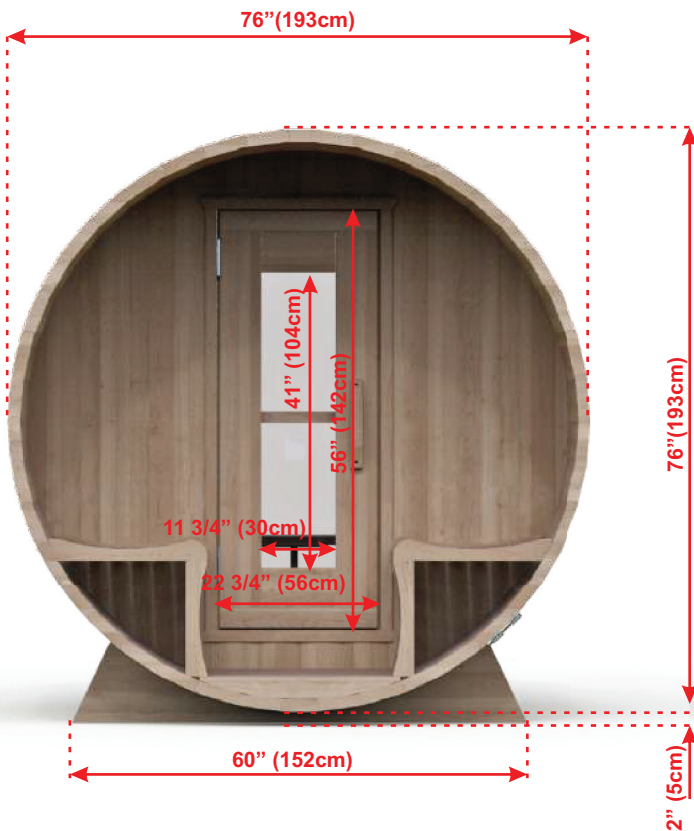


**BARREL SAUNA PACKAGE FEATURES:**

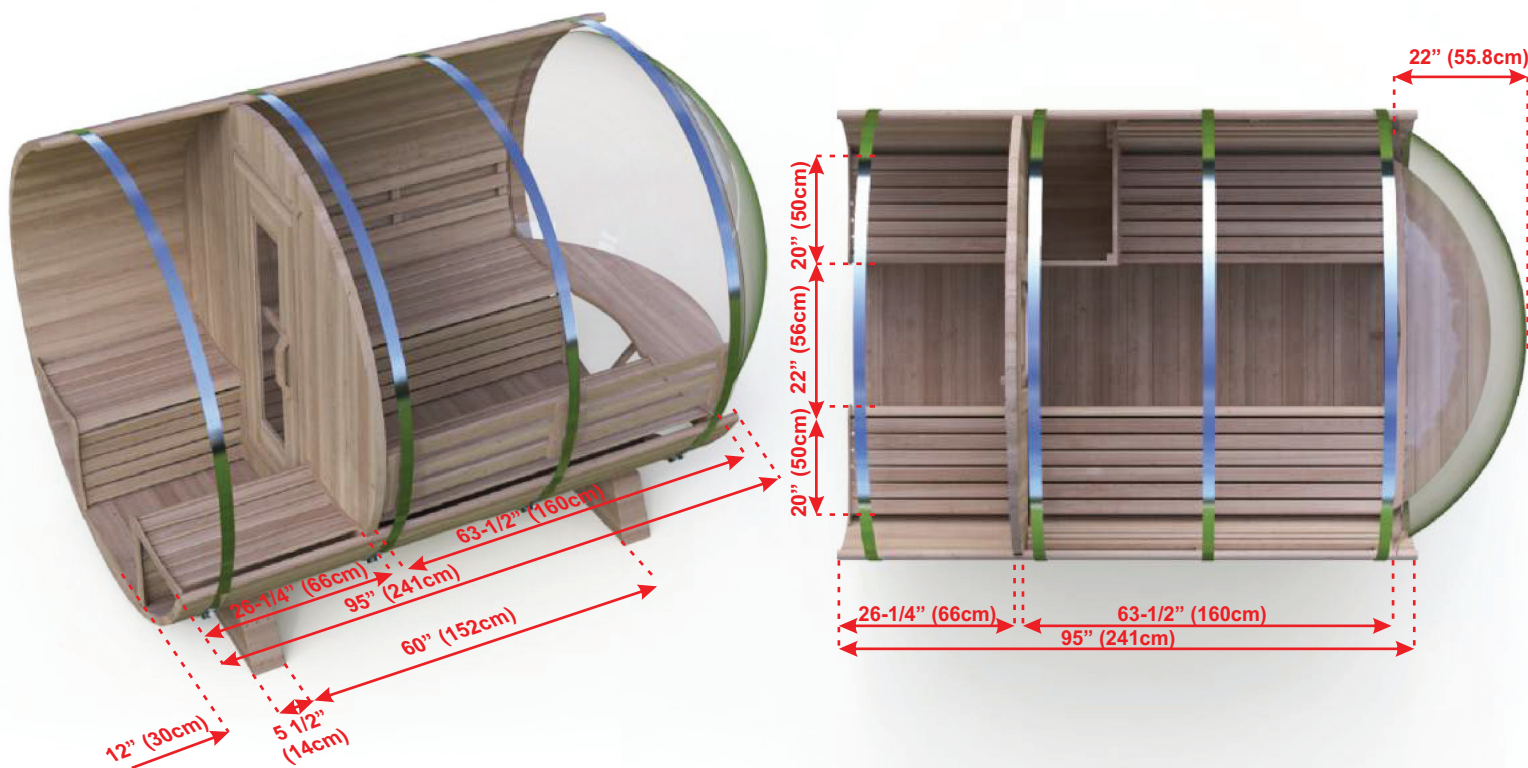
- Made in Canada with Canadian Cedar
- Easy to assemble package.
- Marine Grade aluminum bands with stainless hardware.
- Bronze tempered glass in door.
- Package includes Towel Bar and 2 Backrests.

**BARREL SAUNA PACKAGE OPTIONS:**

- 2' (60cm) Front Porch
- 4' (120cm) Changeroom with Benches
- Overhang Cove on Front
- 2 Windows in Front Wall
- Woodburning or Electric Heaters
- Signature Bench Upgrades



# MODEL 660PV With Porch



## PACKAGE SIZE:

1. 99x45x32" 251x122x81cm
2. 90x90x30" 228x228x76cm

## PRODUCT WEIGHT:

1. 1082 lbs 490 kg
2. 232 lbs 105 kg



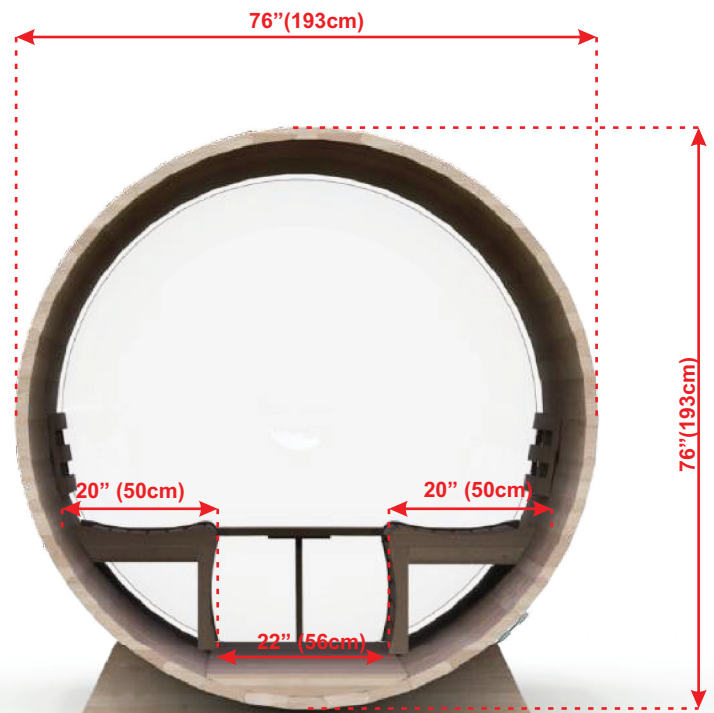
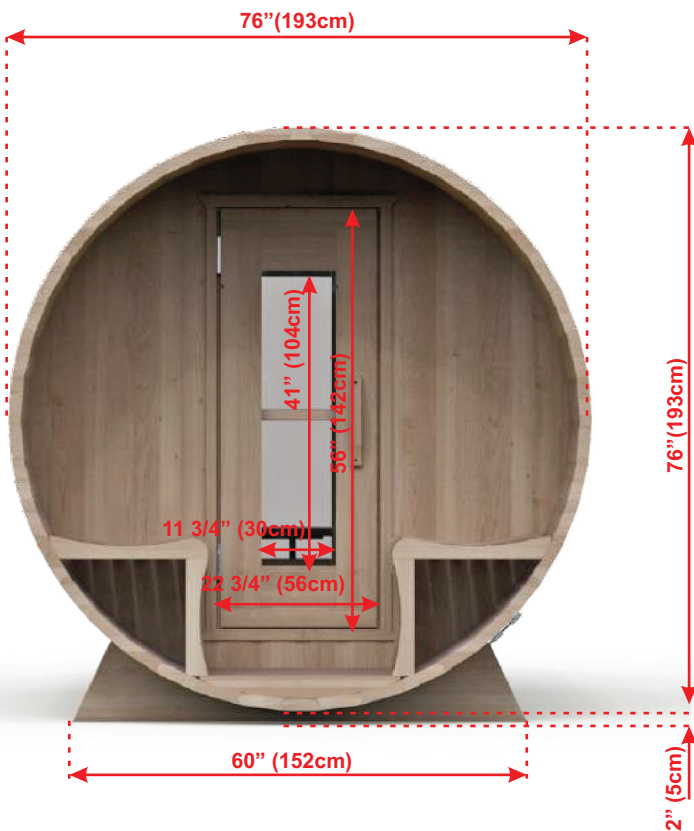


### BARREL SAUNA PACKAGE FEATURES:

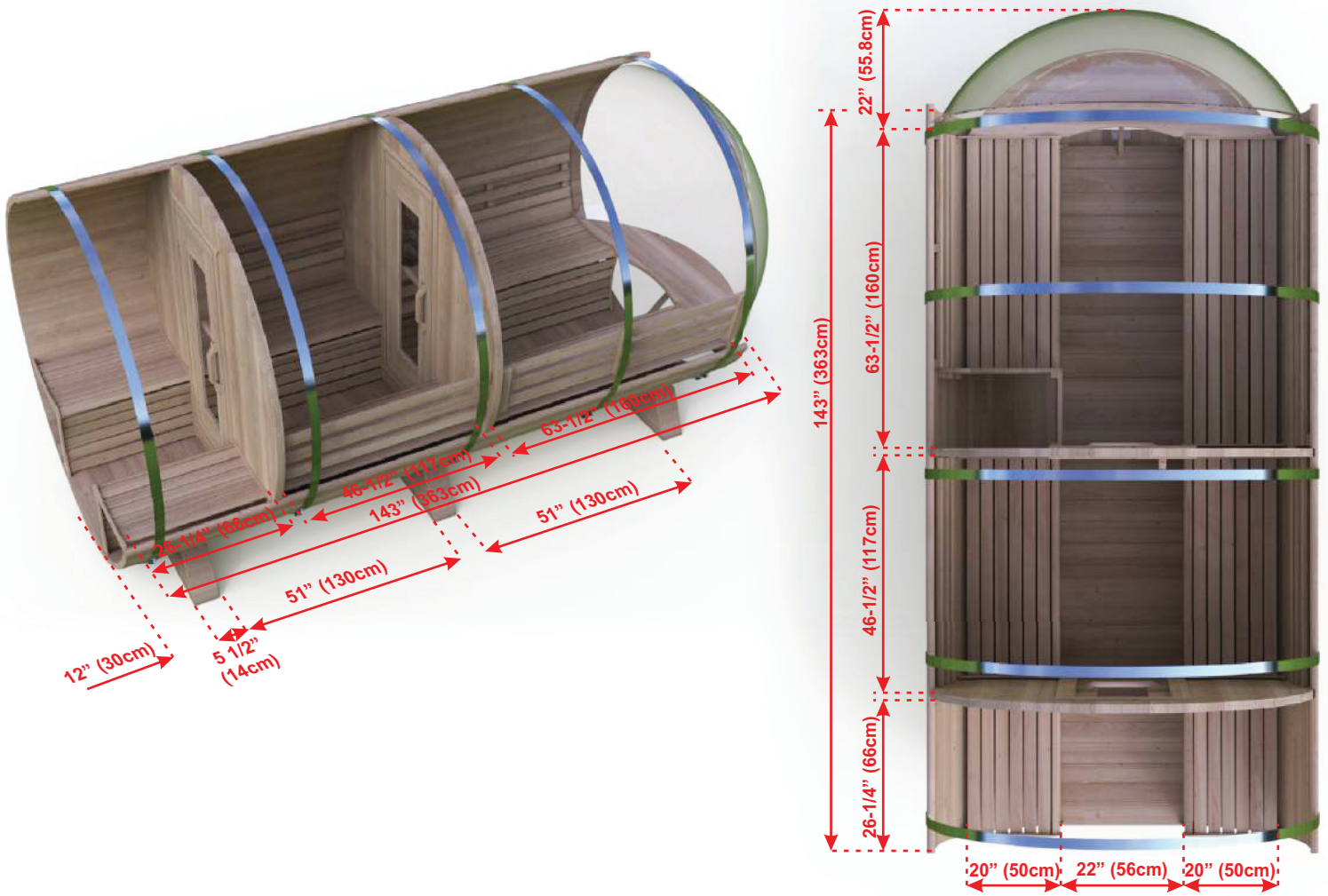
- Made in Canada with Canadian Cedar
- Easy to assemble package.
- Marine Grade aluminum bands with stainless hardware.
- Bronze tempered glass in door.
- Package includes Towel Bar and 2 Backrests.

### BARREL SAUNA PACKAGE OPTIONS:

- 2' (60cm) Front Porch
- 4' (120cm) Changeroom with Benches
- Overhang Cove on Front
- 2 Windows in Front Wall
- Woodburning or Electric Heaters
- Signature Bench Upgrades



# MODEL 660PV With Changeroom & Porch



**PACKAGE SIZE:**

- 1. 146x45x32"      371x122x81cm
- 2. 90x90x30"      228x228x76cm

**PRODUCT WEIGHT:**

- 1. 1170 lbs      530 kg
- 2. 232 lbs      105 kg

