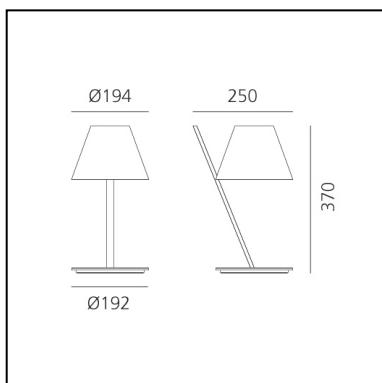


La Petite - Black

Quaglio Simonelli



IP20  



LUMINAIRE

- Watt: **6W**
- Delivered lumens output: **326lm**
- CCT: **2700K**
- Efficiency: **65%**
- Efficacy: **54lm/W**
- CRI: **80**

DESCRIPTION

An archetypal lampshade balanced on a tilted stem. Simple elements, exquisitely combined into an amazing geometric composition, recall basic forms matched with different materials for technological reasons. Despite its plain and simple look, this lamp clearly conveys the skills of Artemide. The lampshade is a lightweight plastic volume closed by two diffusers that produce a pleasant soft direct and indirect light. The joint connects the lampshade with the aluminium stem on a minimal support. These simple elements are combined into a plain and elegant object, where the tilted stem is counterbalanced by the lampshade's volume.

PRODUCT CODE: 1751030A

FEATURES

- Article Code: **1751030A**
- Colour: **Black**
- Installation: **Table**
- Material: **polycarbonate, aluminium, methacrylate**
- Series: **Design Collection**
- Environment: **Indoor**
- design by: **Quaglio Simonelli**

DIMENSIONS

- Length: **cm 25**
- Width: **cm 19.4**
- Height: **cm 37**
- Base Diameter: **cm 19.2**
- Glow Wire Test: **650°**

SOURCES NOT INCLUDED

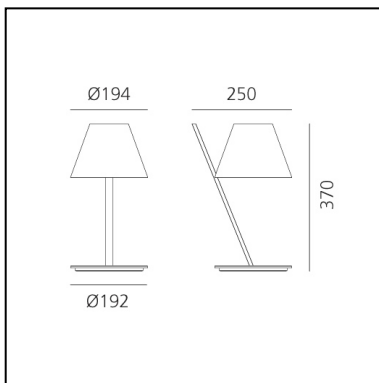
- Category: **LED RETROFIT**
- Number: **1**
- Watt: **6W**
- Socket: **E14**
- Color temperature (K): **2700K**
- CRI: **80**
- Service Life: **L70(6K) > 25000h**

La Petite - White

Quaglio Simonelli



IP20  



LUMINAIRE

- Watt: **6W**
- Delivered lumens output: **326lm**
- CCT: **2700K**
- Efficiency: **65%**
- Efficacy: **54lm/W**
- CRI: **80**

DESCRIPTION

An archetypal lampshade balanced on a tilted stem. Simple elements, exquisitely combined into an amazing geometric composition, recall basic forms matched with different materials for technological reasons. Despite its plain and simple look, this lamp clearly conveys the skills of Artemide. The lampshade is a lightweight plastic volume closed by two diffusers that produce a pleasant soft direct and indirect light. The joint connects the lampshade with the aluminium stem on a minimal support. These simple elements are combined into a plain and elegant object, where the tilted stem is counterbalanced by the lampshade's volume.

PRODUCT CODE: 1751020A

FEATURES

- Article Code: **1751020A**
- Colour: **White**
- Installation: **Table**
- Series: **Design Collection**
- Environment: **Indoor**
- design by: **Quaglio Simonelli**

DIMENSIONS

- Length: **cm 25**
- Width: **cm 19.4**
- Height: **cm 37**
- Base Diameter: **cm 19.2**
- Impact Resistance: **650**

SOURCES NOT INCLUDED

- Category: **LED RETROFIT**
- Number: **1**
- Watt: **6W**
- Socket: **E14**
- Color temperature (K): **2700K**
- CRI: **80**
- Service Life: **L70(6K) > 25000h**