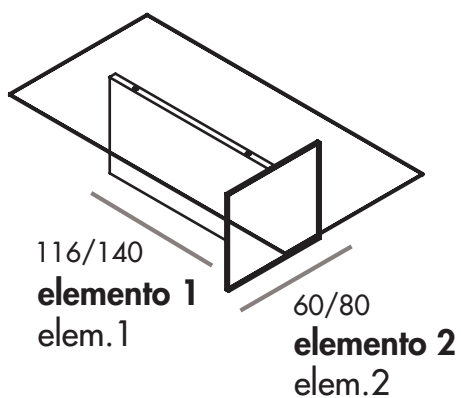


Regolo

Tavolo con top disponibile in vetro extrachiaro trasparente o stratificato fumé o bronzato. Base composta da un elemento in legno, varie finiture, e un elemento in vetro stratificato laccato nero.

Dining table with extralight clear or smoked/bronzed laminated glass top. Base composed of a wooden element, various finishes, and a black lacquered laminated glass element.



FINITURE TOP / TOP FINISHES

DIMENSIONS cm	COD.	M ³	KG
200x100x74h	P1510	0,35	158
240x120x74h	P1512	0,47	215
250x100x74h	P1514	0,38	182

VETRO GLASS		
TETE Sp./Th. 15 mm	TFTF Sp./Th. 8+8 mm	TBTB Sp./Th. 8+8 mm
		
TETE	TFTF	TBTB

FINITURE ELEMENTO 1 / ELEMENT 1 FINISHES

Legno/Wood



RN RG WG NC

FINITURE ELEMENTO 2 / ELEMENT 2 FINISHES

Vetro stratificato laccato/Lacquered laminated glass



TFN1