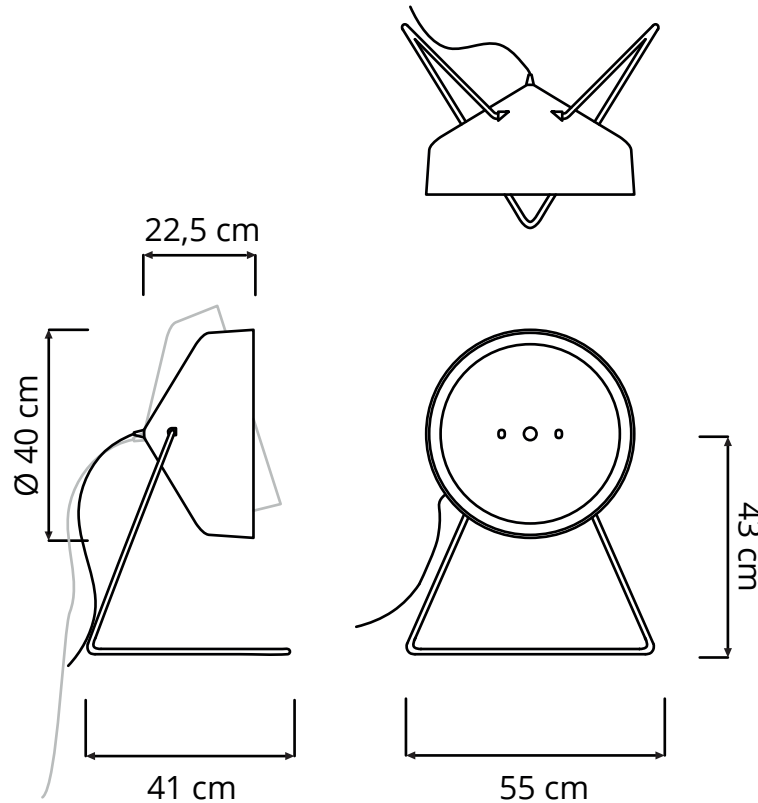


CYRCUS F

FLOOR LAMP



Cyrcus F (Ø 40 cm x 22,5 cm) max 70W hal-eco | E27 (220V) - E26 (120V)
LED bulbs compatible | rec. LED 13W

Led color temperature recommended:
neutral white 4200 °K / warm white 2700 °K

MATERIALS

Cyrcus F nebula: steel, nebulite (fiberglass)

Cyrcus F lavagna: steel, nebulite, blackboard effect resin

Cyrcus F cemento: steel, nebulite, cement effect paint

TRANSPARENT VERSION

COLOR

 white (transparent)

BICOLOR VERSION

OUTER COLOR


 grey (concrete)

 black (blackboard)

INNER COLOR

 red

 orange


 turquoise


 white

 blue

 magenta

 gold

 bronze

 silver

INCLUDES 200 CM CORD SWITCH.
BULBS ARE NOT INCLUDED.

CUSTOM RAL COLORS ARE AVAILABLE FOR AN ADDITIONAL CHARGE..



RECYCLED CARDBOARD



PROUDLY DESIGNED AND MADE
IN ROME | ITALY



RESPONSIBLE HANDMADE
QUALITY



WET CLOTH RECOMMENDED
CLEANING



USE IN DRY LOCATION ONLY



DESIGNED TO RECYCLE

