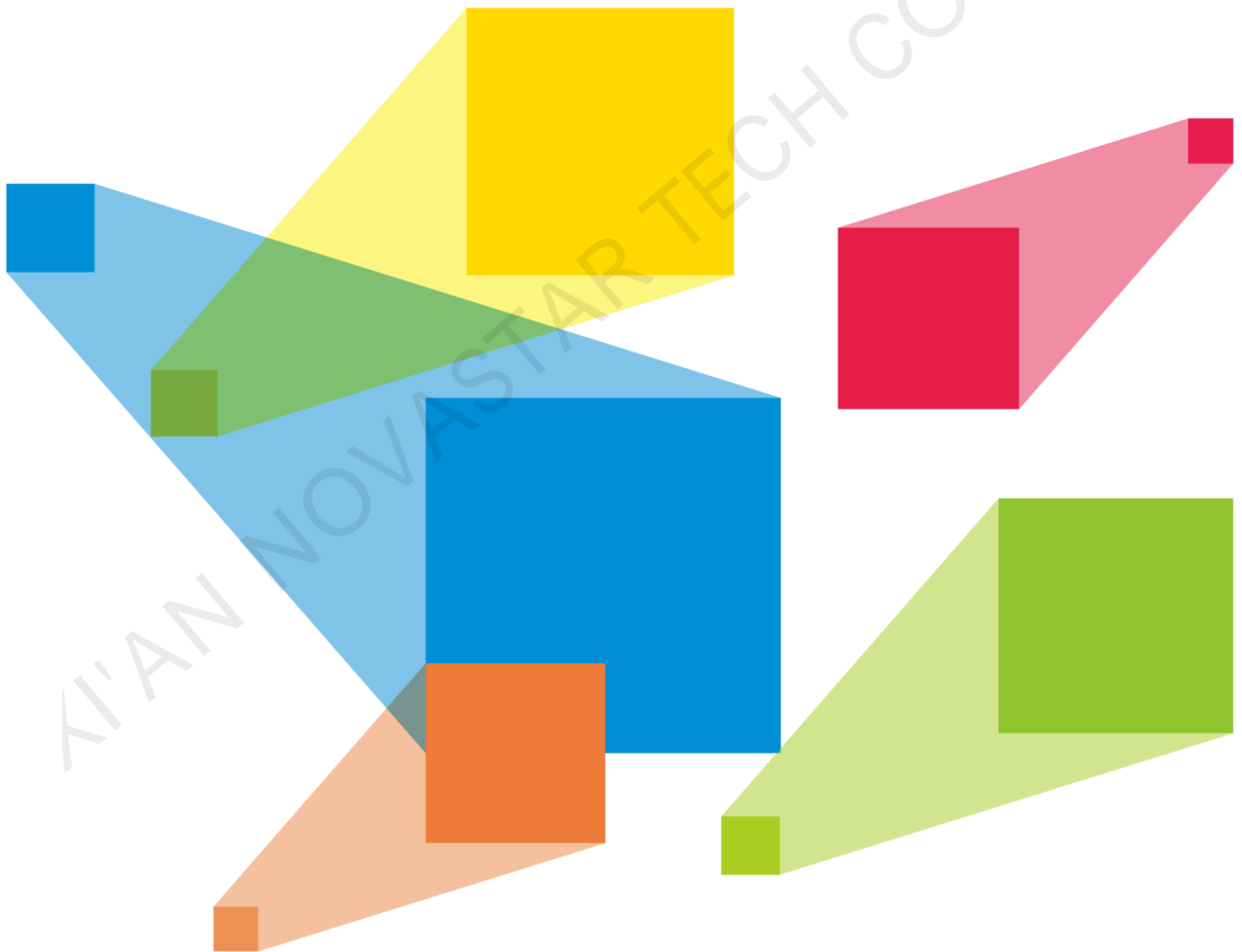


# VX16s

## All-in-One Controller

V1.0.1



Specifications

## Change History

Document Version	Firmware Version	Release Date	Description
V1.0.1	V1.0.0.0	2020-10-22	Updated the certifications.
V1.0.0	V1.0.0.0	2020-06-16	First release

## Introduction

The VX16s is NovaStar's new all-in-one controller that integrates video processing, video control and LED screen configuration into one unit. Together with NovaStar's video control software V-Can, it enables richer image mosaic effects and easier operations.

The VX16s supports a variety of video signals, Ultra HD 4Kx2K@60Hz image processing and sending capabilities, as well as up to 10,400,000 pixels.

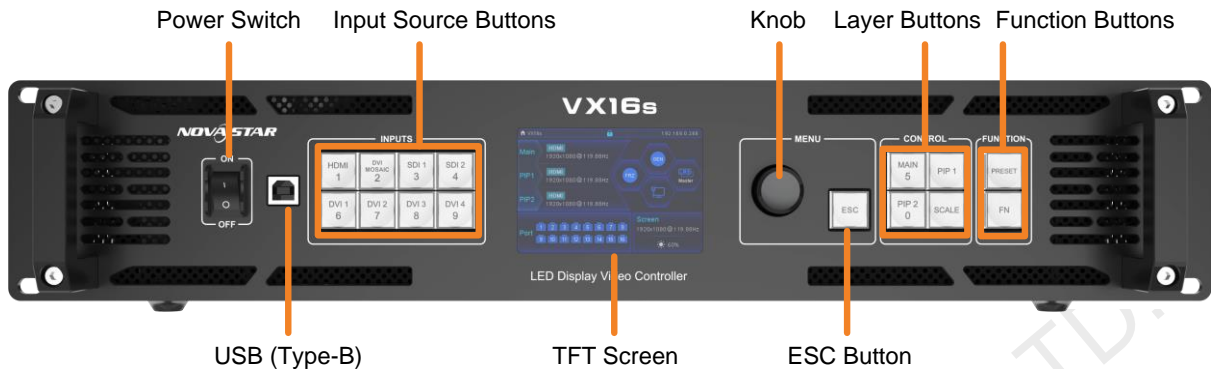
Thanks to its powerful image processing and sending capabilities, the VX16s can be widely used in applications such as stage control systems, conferences, events, exhibitions, high-end rental and fine-pitch displays.

## Features

- Industry-standard input connectors
  - 2x 3G-SDI
  - 1x HDMI 2.0
  - 4x SL-DVI
- 16 Ethernet output ports load up to 10,400,000 pixels.
- 3 independent layers
  - 1x 4Kx2K main layer
  - 2x 2Kx1K PIP (PIP 1 and PIP 2)
  - Adjustable layer priorities
- DVI mosaic  
Up to 4 DVI inputs can form an independent input source, which is DVI Mosaic.
- Decimal frame rate supported  
Supported frame rates include 23.98 Hz, 29.97 Hz, 47.95 Hz, 59.94 Hz, 71.93 Hz and 119.88 Hz.
- 3D  
Supports 3D display effect on the LED screen. The device output capacity will be halved after the 3D function is enabled.
- Personalized image scaling  
Three scaling options are pixel-to-pixel, full screen and custom scaling.
- Image mosaic  
Up to 4 devices can be linked to load a super large screen when used together with the video distributor.
- Intuitive device operation and control via V-Can
- Up to 10 presets can be saved for future use.
- EDID management  
Custom EDID and standard EDID supported
- Device backup design  
In backup mode, when the signal is lost or the Ethernet port fails on the primary device, the backup device will take over the task seamlessly.

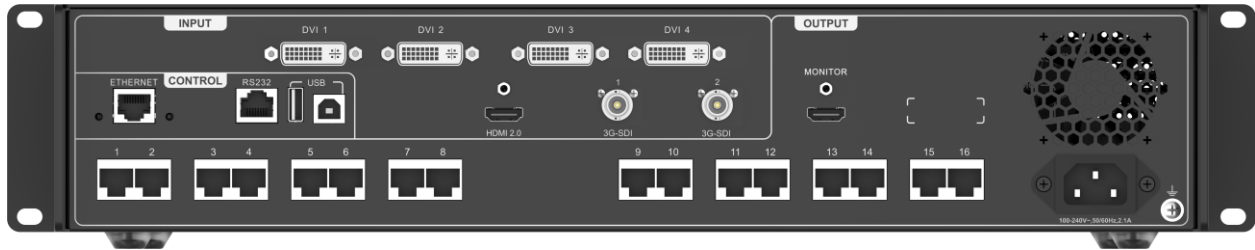
## Appearance

### Front Panel



Button	Description
Power switch	Power on or power off the device.
USB (Type-B)	Connect to the control PC for debugging.
Input source buttons	On the layer editing screen, press the button to switch the input source for the layer; otherwise, press the button to enter the resolution settings screen for the input source.  Status LEDs: <ul style="list-style-type: none"> <li>• On (orange): The input source is accessed and used by the layer.</li> <li>• Dim (orange): The input source is accessed, but not used by the layer.</li> <li>• Flashing (orange): The input source is not accessed, but used by the layer.</li> <li>• Off: The input source is not accessed and not used by the layer.</li> </ul>
TFT screen	Display the device status, menus, submenus and messages.
Knob	<ul style="list-style-type: none"> <li>• Rotate the knob to select a menu item or adjust the parameter value.</li> <li>• Press the knob to confirm the setting or operation.</li> </ul>
ESC button	Exit the current menu or cancel the operation.
Layer buttons	Press a button to open a layer, and hold down the button to close the layer. <ul style="list-style-type: none"> <li>• MAIN: Press the button to enter the main layer settings screen.</li> <li>• PIP 1: Press the button to enter the settings screen for PIP 1.</li> <li>• PIP 2: Press the button to enter the settings screen for PIP 2.</li> <li>• SCALE: Turn on or turn off the full screen scaling function of the bottom layer.</li> </ul>
Function buttons	<ul style="list-style-type: none"> <li>• PRESET: Press the button to enter the preset settings screen.</li> <li>• FN: A shortcut button, which can be customized as a shortcut button for Synchronization (default), Freeze, Black Out, Quick Configuration or Image Color function</li> </ul>

## Rear Panel



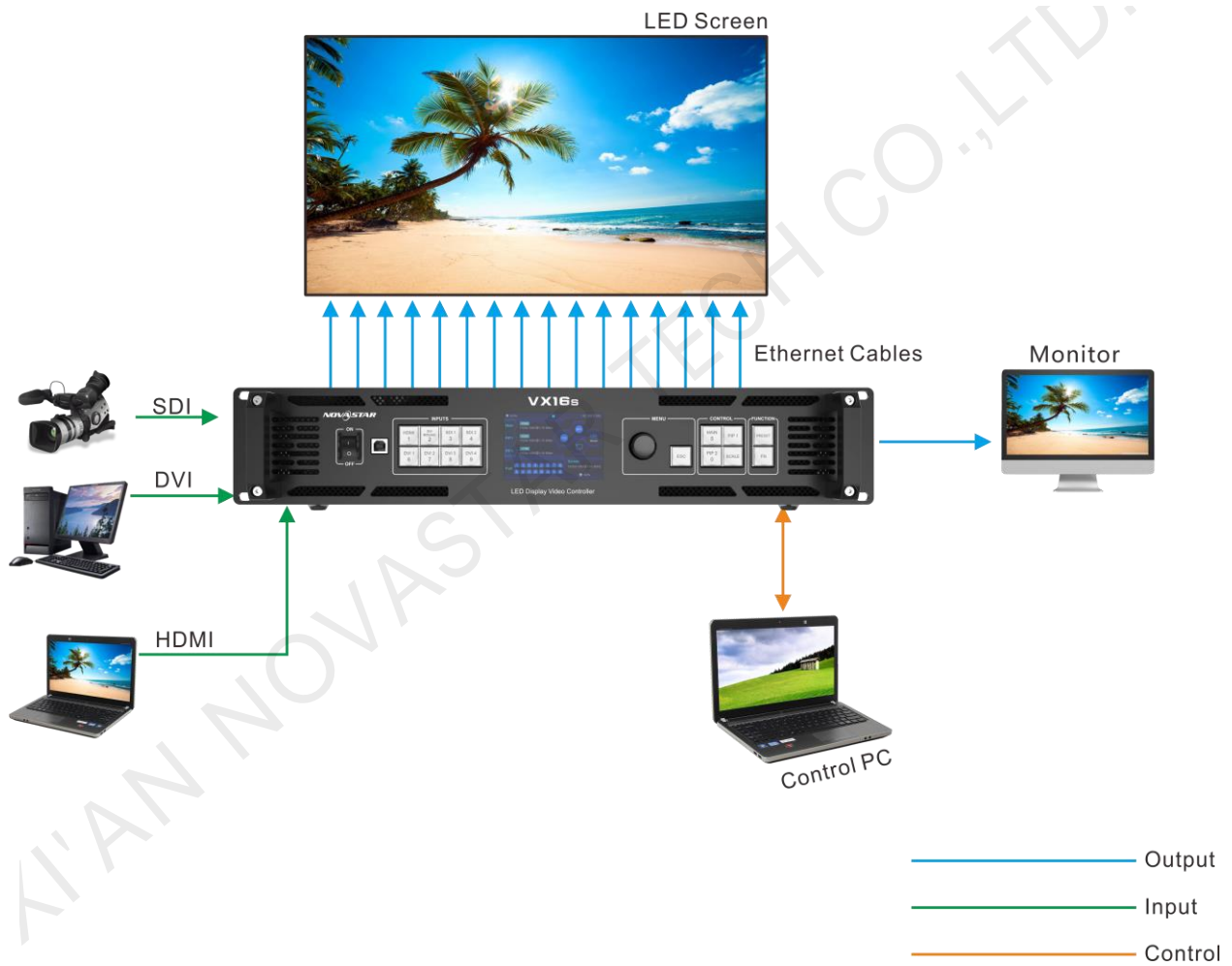
Input		
Connector	Qty	Description
3G-SDI	2	<ul style="list-style-type: none"> <li>Max. input resolution: Up to 1920×1080@60Hz</li> <li>Support for interlaced signal input and deinterlacing processing</li> <li>Does not support input resolution settings.</li> </ul>
DVI	4	<ul style="list-style-type: none"> <li>Single link DVI connector, with max. input resolution up to 1920×1200@60Hz</li> <li>Four DVI inputs can form an independent input source, which is DVI Mosaic.</li> <li>Support for custom resolutions               <ul style="list-style-type: none"> <li>Max. width: 3840 pixels</li> <li>Max. height: 3840 pixels</li> </ul> </li> <li>HDCP 1.4 compliant</li> <li>Does not support interlaced signal input.</li> </ul>
HDMI 2.0	1	<ul style="list-style-type: none"> <li>Max. input resolution: Up to 3840×2160@60Hz</li> <li>Support for custom resolutions               <ul style="list-style-type: none"> <li>Max. width: 3840 pixels</li> <li>Max. height: 3840 pixels</li> </ul> </li> <li>HDCP 2.2 and EDID 1.4 compliant</li> <li>Does not support interlaced signal input.</li> </ul>
Output		
Connector	Qty	Description
Ethernet port	16	<ul style="list-style-type: none"> <li>Gigabit Ethernet output</li> <li>16 ports load up to 10,400,000 pixels.               <ul style="list-style-type: none"> <li>Max. width: 16384 pixels</li> <li>Max. height: 8192 pixels</li> </ul> </li> <li>A single port loads up to 650,000 pixels.</li> </ul>
MONITOR	1	<ul style="list-style-type: none"> <li>An HDMI connector for monitoring output</li> <li>Support for resolution of 1920×1080@60Hz</li> </ul>
Control		
Connector	Qty	Description
ETHERNET	1	<ul style="list-style-type: none"> <li>Connect to the control PC for communication.</li> <li>Connect to the network.</li> </ul>
USB	2	<ul style="list-style-type: none"> <li>USB 2.0 (Type-B):</li> </ul>

		<ul style="list-style-type: none"> <li>- Connect to the PC for debugging.</li> <li>- Input connector to link another device</li> <li>• USB 2.0 (Type-A): Output connector to link another device</li> </ul>
RS232	1	Connect to the central control device.

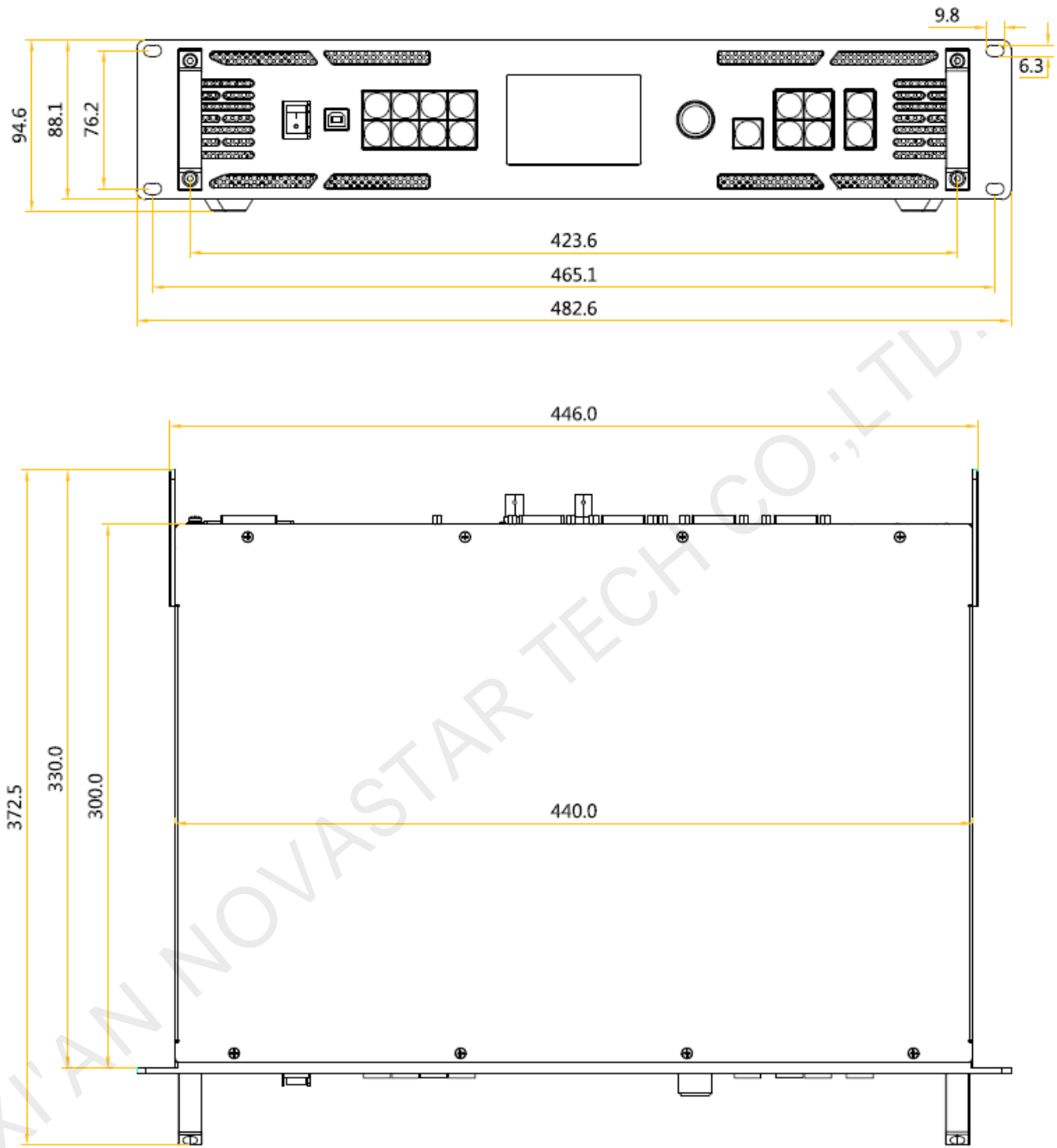
**Note:**

HDMI source and DVI Mosaic source can be used by the main layer only.

## Applications



## Dimensions



Tolerance:  $\pm 0.3$  Unit: mm

## Specifications

<b>Electrical Specifications</b>	Power connector	100–240V~, 50/60Hz, 2.1A
	Power consumption	70 W
<b>Operating Environment</b>	Temperature	0°C to 50°C
	Humidity	20% RH to 85% RH, non-condensing
<b>Storage Environment</b>	Temperature	–20°C to +60°C
	Humidity	10% RH to 85% RH, non-condensing
<b>Physical Specifications</b>	Dimensions	482.6 mm × 372.5 mm × 94.6 mm
	Net weight	6.22 kg
	Gross weight	9.78 kg
<b>Packing Information</b>	Carrying case	530.0 mm × 420.0 mm × 193.0 mm
	Accessories	1x European power cord 1x US power cord 1x UK power cord 1x Cat5e Ethernet cable 1x USB cable 1x DVI cable 1x HDMI cable 1x Quick Start Guide 1x Certificate of Approval
	Packing box	550.0 mm × 440.0 mm × 215.0 mm
<b>Certifications</b>	CE, FCC, IC, RoHS, UL, CB, KC	
<b>Noise Level (typical at 25°C/77°F)</b>	45 dB (A)	

## Video Source Features

Input Connector	Color Depth		Max. Input Resolution
HDMI 2.0	8-bit	RGB 4:4:4	3840×2160@60Hz
		YCbCr 4:4:4	3840×2160@60Hz
		YCbCr 4:2:2	3840×2160@60Hz
		YCbCr 4:2:0	Not supported
	10-bit/12-bit	RGB 4:4:4	3840×1080@60Hz
		YCbCr 4:4:4	3840×1080@60Hz
		YCbCr 4:2:2	3840×2160@60Hz
		YCbCr 4:2:0	Not supported
SL-DVI	8-bit	RGB 4:4:4	1920×1080@60Hz
3G-SDI	Max. input resolution: 1920×1080@60Hz 3G-SDI signal does not support input resolution settings.		



## Attention

Risk of explosion if the battery is replaced by an incorrect type.

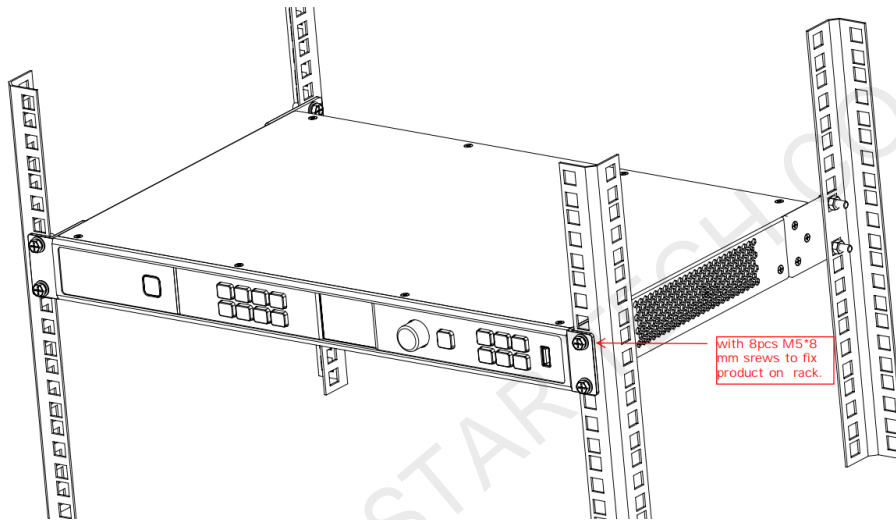
Risque d'explosion si la batterie est remplacée par un type incorrect.

--Disposal of a battery into fire or a hot oven, or mechanically crushing or cutting of battery, that can result in an explosion.

--La mise au feu ou dans un four chaud, ou le broyage ou la découpe mécanique de la batterie peuvent provoquer une explosion.

## Installation Instructions

When the product needs to be installed on the rack, 8 screws at least M5\*8 should be used to fix it. The rack for installation shall bear at least 25KG weight.



**Copyright © 2020 Xi'an NovaStar Tech Co., Ltd. All Rights Reserved.**

No part of this document may be copied, reproduced, extracted or transmitted in any form or by any means without the prior written consent of Xi'an NovaStar Tech Co., Ltd.

**Trademark**

**NOVA STAR** is a trademark of Xi'an NovaStar Tech Co., Ltd.

**Statement**

You are welcome to use the product of Xi'an NovaStar Tech Co., Ltd. (hereinafter referred to as NovaStar). This document is intended to help you understand and use the product. For accuracy and reliability, NovaStar may make improvements and/or changes to this document at any time and without notice. If you experience any problems in use or have any suggestions, please contact us via contact info given in document. We will do our best to solve any issues, as well as evaluate and implement any suggestions.

[Official website](http://www.novastar.tech)  
www.novastar.tech

[Technical support](mailto:support@novastar.tech)  
support@novastar.tech