



TOSCANA | Wall Range Hood

Modern style to your kitchen

SKU: ATS430SSB, ATS436SSB

CATEGORY: Wall-Mount

The flat Italian-design of the Toscana 30" Range Hood by Arietta, also available in 36" width, adds a clean, modern style to your kitchen. Keep your kitchen fresh and clear from smoke, grease, moisture and odors with this highly styled, Italian designed wall mounted range hood. Offers energy saving LED lighting, Electronic Push buttons with white backlight that provide easy function and added style, plus anodized stainless steel mesh filters, which are dishwasher-safe for easy maintenance.



2 LED lamps with 1 light intensity that safely illuminates the cooking area.



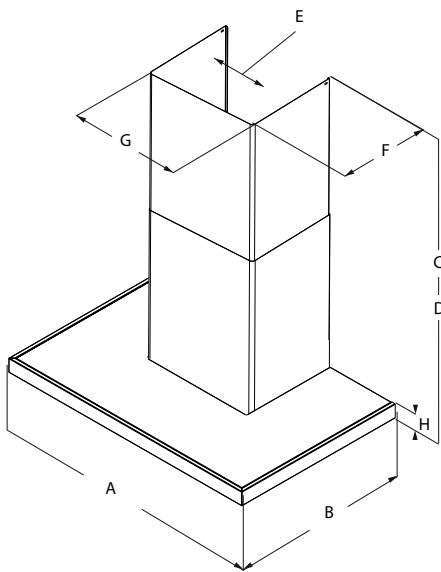
Electronic Push buttons with white backlight.



Dishwasher-safe, Anodized Stainless Steel Mesh filters.

FEATURES

Size (in)	30, 36"	
Dimensions	30"/36"W x 19-5/8"D x Min: 21 1/2" Max: 35"H	
Finish	Stainless Steel	
Controls	Electronic Push buttons with white backlight	
Illumination	2 LED lamps (700 mA & 2.1 W, 3000 Kelvin and 235 Lumens / Lamp) 1 Light Intensity	
Blower Performance**	400 CFM, 3-Speed Internal Blower Min 0.6 - 6.0 sones (Noise)	
Filter Type	2 for 30", 3 for 36", Dishwasher-Safe, Anodized Stainless Steel Mesh Filters	
Duct Transition	6" (Round, Top)	
Electrical	120V - 60 Hz 265 Watts at 2.2 Amps	
Telescopic Chimney	For ceiling heights 6'11" - 8'7" (ducted out) or 7'0" - 8'11" (recirculating)	
Accessories	KIT0102875 Recirculating Kit - Contains 6" deflector, 3 flat carbon filters and clips KIT0102873 Back Draft Damper, 6" Round KIT01935 Chimney Extension Kit - For ceiling heights 7'5" - 10'5" (ducted out) and 7'9" - 10'9" (recirculating) KIT02785 Chimney Extension Kit - Reaches ceiling heights 8'5" - 12'1" (ducted), 9'1" - 12'5" (recirculating) KIT0175561 Electronic CFM Reduction Bypass Kit (Achieves less than 300 CFM)	



	ATS430SSB	ATS436SSB
A	30" (76 cm)	36" (91.2 cm)
B	19 11/16" (50 cm)	
C*	max. 54 3/16" (139 cm) min. 33 3/8" (86 cm)	
D**	max. 50 5/16" (129 cm) min. 29 11/16" (77 cm)	
E	6" (15.24 cm)	
F	10 3/4" (27 cm)	
G	13 1/16" (33 cm)	
H	1 5/8" (4 cm)	

*For non-vented (recirculating installations)

**For vented installations

DESIGNED IN ITALY, MADE IN NORTH AMERICA

**Two (2) Years Warranty
Parts & In-Home Labor.**

* The product images shown are for illustration purposes only and may not be an exact representation of the product.

** Blower performance indicates the performance of the blower by itself. Performance claims are not AHAM certified but were established in accordance with HVI Standardized test procedure. For Certified Ratings, please refer to AHAM Certified Product Directory. Electric Ratings are declared according to UL. High Speed 340 CFM, 7.0 sones (6" vertical) Working Speed 100 CFM, 0.5 sones (6" vertical)