

arietta



MATERA | Island Range Hood

Minimalist design that delivers convenience and safety

SKU: AMT636SSA
CATEGORY: Island

Matera design offers 36" width Island Range Hood by Arietta, feature a minimalist design and strong stainless steel construction, which is ideal for kitchens where clear architectural lines take precedence. This Matora Range Hood counts with a powerful 400 CFM blower, LED dimmable lights, stainless steel mesh filters and elegant Push buttons with white backlight. Initially designed for a standard ducted installation, but can also be installed with the Recirculating Kit which is available as an accessory.



4 LED lamps with 1 light intensity that safely illuminates the cooking area.



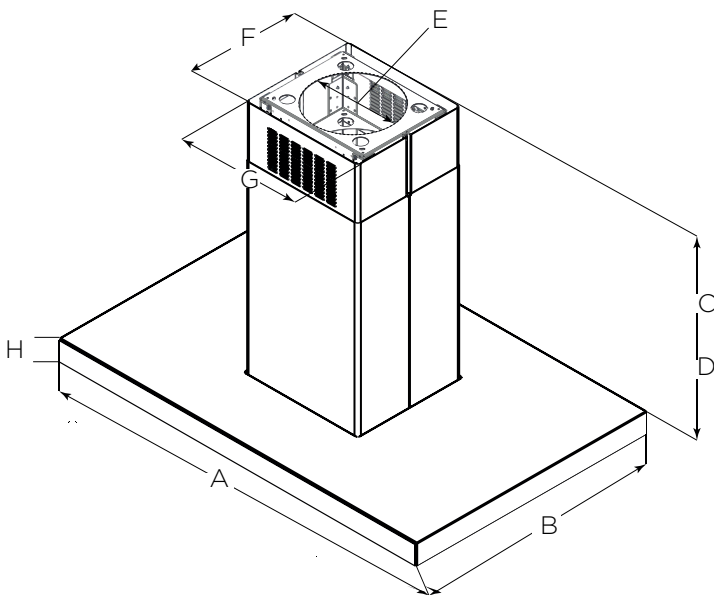
Electronic Push buttons with white backlight.



Dishwasher-safe, Anodized Stainless Steel Mesh filters.

FEATURES

| | | |
|----------------------|---|--|
| Size (in) | 36" | |
| Dimensions | 36"W x 27-1/8"D x Min: 29-13/16 Max: 50-1/8"H | |
| Finish | Stainless Steel with black tempered glass | |
| Controls | Electronic Push buttons with white backlight | |
| Illumination | 4 LED lamps (700 mA & 2.1 W., 3000 Kelvin and 235 Lumens / Lamp) 1 Light Intensity | |
| Blower Performance** | 400 CFM, 3-Speed Internal Blower Min 0.5 - 6.0 sones (Noise) | |
| Filter Type | 3 Dishwasher-Safe, Anodized Stainless Steel Mesh Filters | |
| Duct Transition | 6" (Round, Top) | |
| Electrical | 120V - 60 Hz 265 Watts at 2.2 Amps | |
| Telescopic Chimney | For ceiling heights 7'6" - 9'9" (ducted out) or 7'6" - 10'2" (recirculating) | |
| Accessories | KIT01938 Recirculating Kit - Contains deflector and 2 round carbon filters KIT0100317 Long Chimney Extension Kit - For ceiling heights 8'9" - 12'8" (ducted out) & 9'2" - 12'9" (recirculating) KIT0102873 Back Draft Damper, 6" Round KIT0175561 Electronic CFM Reduction Bypass Kit (Achieves less than 300 CFM) | |



| AMT636SSA | |
|-----------|---|
| A | 36" (91.54 cm) |
| B | 27 1/8" (68.9 cm) |
| C | Min: 29 13/16" (75.72 cm) Max: 50 1/8" (127.32 cm) |
| D | Min: 29 13/16" (75.72 cm) Max: 44 7/8" (114 cm) |
| E | 6" (15.9 cm) |
| F | 12" (30.4 cm) |
| G | 13" (33.24 cm) |
| H | 2 3/8" (6.03 cm) |

DESIGNED IN ITALY, MADE IN NORTH AMERICA

**Two (2) Years Warranty
Parts & In-Home Labor.**

* The product images shown are for illustration purposes only and may not be an exact representation of the product.

** Blower performance indicates the performance of the blower by itself. Performance claims are not AHAM certified but were established in accordance with HVI Standardized test procedure. For Certified Ratings, please refer to AHAM Certified Product Directory. Electric Ratings are declared according to UL. High Speed 340 CFM, 7.0 sones (6" vertical) Working Speed 100 CFM, 0.5 sones (6" vertical)