



DEKOR GLASS | Wall Range Hood

Authentic Italian Design

SKU: ADK430SSB | ADK436SSB

Category: Wall-Mount

The Italian-design inspired, Dekor Glass Range Hood by Arietta, is available in both 30" and 36" widths, combines arched glass wings and stainless steel to create a light and airy environment. The perfect center piece for any contemporary kitchen. This gently flowing design is powered by a 400 CFM blower that can handle the demands of a modern kitchen. The electronic push buttons with white backlight controls manage lighting and blower. Speed plus sensors advise you when to clean filters.



2 LED lamps with 1 light intensity that safely illuminates the cooking area.



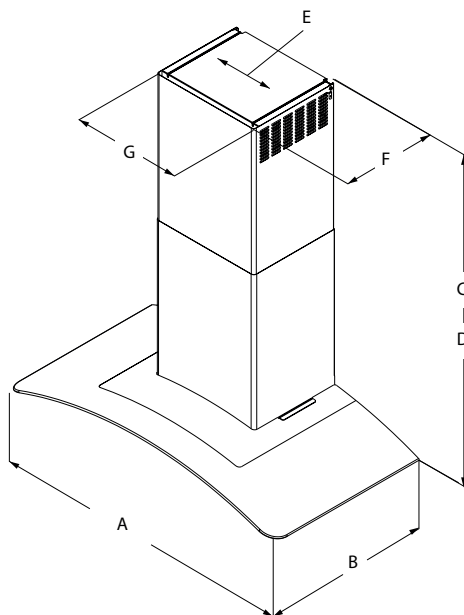
Electronic Push buttons with white backlight.



Dishwasher-safe, Anodized Stainless Steel Mesh filters.

FEATURES

Size (in)	30", 36"
Dimensions	30" or 36"W x 19 11/16"D x Min: 20-3/8" Max: 36-5/8" H
Finish	Stainless Steel
Controls	Electronic Push buttons with white backlight
Illumination	2 LED lamps (700 mA & 2.1 W, 3000 Kelvin and 235 Lumens / Lamp) 1 Light Intensity
Blower Performance**	400 CFM, 3-Speed Internal Blower Min 0.5 - Max 5.9 sones (Noise)
Filter Type	1, Dishwasher-Safe, Anodized Stainless Steel Mesh Filter
Duct Transition	6" (Round, Top)
Electrical	120V - 60 Hz 265 Watt at 2.2 Amps
Telescopic Chimney	For ceiling heights 6'9" - 8'8" (ducted out) & 7'0" - 9'0" (recirculating)
Accessories	KIT0102875 Recirculating Kit - For 30" & 36" - Contains carbon filters KIT01609/1 Chimney Extension - For ceiling heights 7'5"-10'3" (ducted out), 8'2"-10'11" (recirculating) KIT0100315 Chimney Extension Kit - Reaches ceiling heights 8'5" - 12'1" (ducted), 9'1" - 12'5" (recirculating) KIT0102873 Back Draft Damper, 6" Round KIT0175561 Electronic CFM Reduction Bypass Kit (Achieves less than 300 CFM)



	ADK430SSB	ADK436SSB
A	30" (76.2cm)	36" (91.4cm)
B	19 11/16" (50cm)	
C*	max. 36 5/8" (93cm) min. 24" (61 cm)	
D**	max. 32 13/16" (83.3cm) min. 20" 3/8" (51.7 cm)	
E	6" (15.24cm)	
F	10 3/4" (27.3cm)	
G	13 1/2" (33.2cm)	

*For non-vented (recirculating installations)

**For vented installations

DESIGNED IN ITALY, MADE IN NORTH AMERICA

**Two (2) Years Warranty
Parts & In-Home Labor.**

* The product images shown are for illustration purposes only and may not be an exact representation of the product.

** Blower performance indicates the performance of the blower by itself. Performance claims are not AHAM certified but were established in accordance with HVI Standardized test procedure. For Certified Ratings, please refer to AHAM Certified Product Directory. Electric Ratings are declared according to UL. High Speed 340 CFM, 7.0 sones (6" vertical) Working Speed 100 CFM, 0.5 sones (6" vertical)