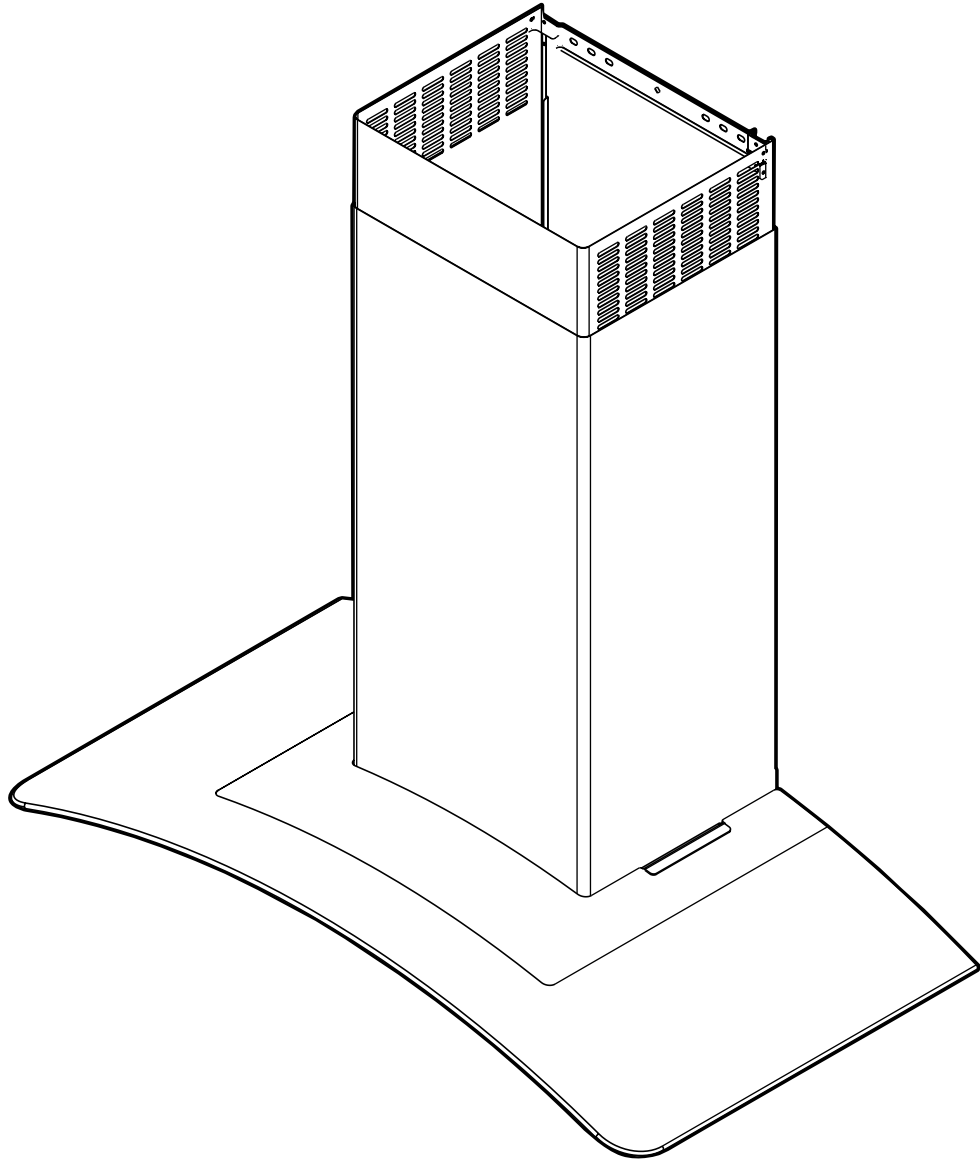


# arietta

---

**Installation Instructions Guide**  
Guía de Instrucciones para Instalación  
Guide d'instructions d'installation



**READ AND SAVE THESE INSTRUCTIONS**  
**LEA Y GUARDE ESTAS INSTRUCCIONES**  
**LIRE ET CONSERVER CES INSTRUCTIONS**

English	page	2
Français	page	12
Español	página	23

LIB0178804

# Table of Contents

APPROVED FOR RESIDENTIAL APPLIANCES  
FOR RESIDENTIAL USE ONLY

## READ AND SAVE THESE INSTRUCTIONS

Tools and Parts	3
Dimensions and Clearances	4
Electrical Requirements	4
Ducting Options	5
Installation instructions	6
Install Range Hood	6
Electrical Connection	7
Complete Installation	8
Control	8
Range Hood Care	9
WARRANTY	11

**PLEASE READ ENTIRE INSTRUCTIONS BEFORE PROCEEDING.  
INSTALLATION MUST COMPLY WITH ALL LOCAL CODES.**

**IMPORTANT:** Save these Instructions for the Local Electrical Inspector's use.

**INSTALLER:** Please leave these Instructions with this unit for the owner.

**OWNER:** Please retain these instructions for future reference.

**Safety Warning:** Turn off power circuit at service panel and lock out panel before wiring this appliance.

Requirement 120 VAC, 60 Hz. 15 or 20 A Branch Circuit

## IMPORTANT SAFETY INSTRUCTIONS

**WARNING:** TO REDUCE THE RISK OF FIRE, ELECTRIC SHOCK, OR INJURY TO PERSONS, OBSERVE THE FOLLOWING:

- Use this unit only in the manner intended by the manufacturer. If you have questions, contact the manufacturer.
- Before servicing or cleaning the unit, switch power off at service panel and lock the service disconnecting means to prevent power from being switched on accidentally. When the service disconnecting means cannot be locked, securely fasten a prominent warning device, such as a tag to the service panel.
- Installation work and electrical wiring must be done by qualified person(s) in accordance with all applicable codes and standards, including fire-rated construction.
- Sufficient air is needed for proper combustion and exhausting of gases through the flue (chimney) of fuel burning equipment to prevent backdrafting. Follow the heating equipment manufacturer's guideline and safety standards such as those published by the National Fire Protection Association (NFPA), the American Society for Heating, Refrigeration and Air Conditioning Engineers (ASHRAE), and the local code authorities.
- When cutting or drilling into wall or ceiling; do not damage electrical wiring and other hidden utilities.
- Ducted fans must always be vented outdoors.

**CAUTION:** For general ventilating use only. Do not use to exhaust hazardous or explosive materials and vapors.

**CAUTION:** To reduce risk of fire and to properly exhaust air, be sure to duct air outside - do not vent exhaust air into spaces within walls or ceilings, attics or into crawl spaces, or garages.

**WARNING:** TO REDUCE THE RISK OF FIRE, USE ONLY METAL DUCTWORK

**WARNING:** TO REDUCE THE RISK OF A RANGE TOP GREASE FIRE:

- Never leave surface units unattended at high settings. Boilovers cause smoking and greasy spillovers that may ignite. Heat oils slowly on low or medium settings.
- Always turn hood ON when cooking at high heat or when flambeing food (i.e. Crepes Suzette, Cherries Jubilee, Peppercorn Beef Flambé).
- Clean ventilating fans frequently. Grease should not be allowed to accumulate on fan or filter.
- Use proper pan size. Always use cookware appropriate for the size of the surface element.

**WARNING:** TO REDUCE THE RISK OF INJURY TO PERSONS IN THE EVENT OF A RANGE TOP GREASE FIRE, OBSERVE THE FOLLOWING:<sup>a</sup>

- SMOTHER FLAMES with a close fitting lid, cookie sheet, or metal tray, then turn off the burner. BE CAREFUL TO PREVENT BURNS. If the flames do not go out immediately, EVACUATE AND CALL THE FIRE DEPARTMENT.
- NEVER PICK UP A FLAMING PAN - you may get burned.
- DO NOT USE WATER, including wet dishcloths or towels - a violent steam explosion will result.
- Use an extinguisher ONLY if:
  - You know you have a class ABC extinguisher, and you already know how to operate it.
  - The fire is small and contained in the area where it started.
  - The fire department is being called.
  - You can fight the fire with your back to an exit.

<sup>a</sup>Based on "Kitchen Fire Safety Tips" published by NFPA.

**WARNING:** To reduce the risk of fire or electrical shock, do not use this fan with any solid-state speed control device.

**WARNING:** Do not operate any fan with a damaged cord or plug. Discard fan or return to an authorized service facility for examination and/or repair.

## READ AND SAVE THESE INSTRUCTIONS

# Tools and Parts

## Parts supplied

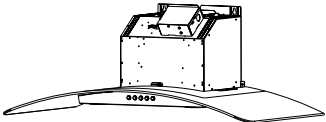




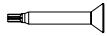
### Removing the packaging

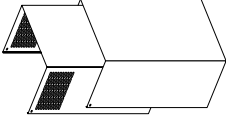
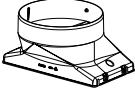
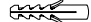


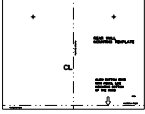
#### ⚠ CAUTION!

Remove carton carefully, wear gloves to protect against sharp edges.

#### ⚠ WARNING!

Remove the protective film covering the product before putting into operation.

Supplied Part	Pieces
 <p>Hood assembly and LED lamps already installed</p>	1
 <p>5x45 mm</p>	6
 <p>5.4x75 mm</p>	4
 <p>3.5x9.5 mm</p>	2
 <p>4x8 mm</p>	4
 <p>Torx 10 adapter</p>	1

Supplied Part	Pieces
 <p>Duct covers</p>	2
 <p>6" round air transition</p>	1
 <p>8x40 mm</p>	2
 <p>10x60 mm</p>	4
 <p>Duct cover bracket</p>	1
 <p>Mounting template</p>	1

## Parts not supplied

### Tools/Materials required

- Level
- Drill
- 1 1/4" (3.2 cm), 1/8" (3.2 mm), and 1/16" (4.8 mm) drill bits
- Pencil
- Wire stripper or utility knife
- Tape measure or ruler
- Pliers
- Caulking gun and weatherproof caulking compound
- Jigsaw or keyhole saw
- Metal snips
- Screwdrivers:
  - Flat-blade
  - Phillips

### Parts needed

- Home power supply cable
- 1/2" (12.7 mm) UL listed or CSA approved strain relief
- 3 UL listed wire connectors

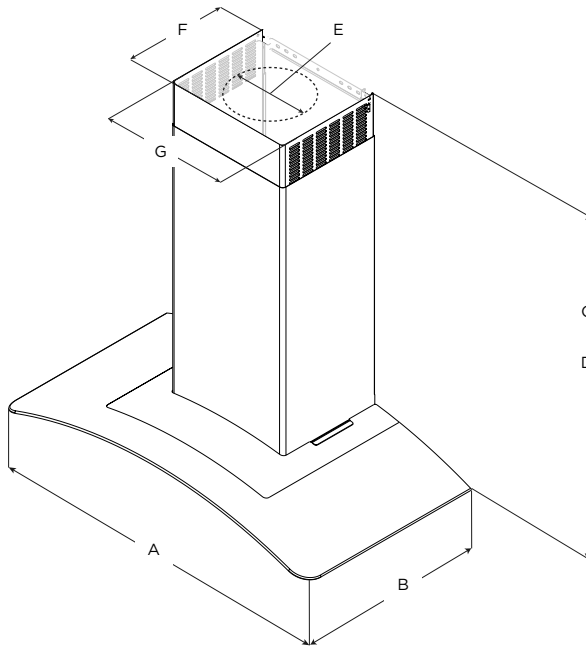
### For vented installations, you will also need:

- 1 wall or roof cap
- Metal vent system

## Optional Accessories

KIT	# Part	
	30" (76.2 cm)	36" (91.4 cm)
Recirculating Kit	KIT0102875	
Long Chimney Extension	KIT01609/1	
6" Round Backdraft Damper Kit	KIT0102873	
CFM Reduction Kit	KIT02748	

## Dimensions and Clearances



	Models	
	ADK430SSB	ADK436SSB
A	30" (76.2 cm)	36" (91.4 cm)
B	19 <sup>11</sup> / <sub>16</sub> " (50 cm)	
C*	Max: 36 <sup>5</sup> / <sub>8</sub> " (93 cm) Min: 24" (61 cm)	
D**	Max: 32 <sup>13</sup> / <sub>16</sub> " (83.3 cm) Min: 20 <sup>3</sup> / <sub>8</sub> " (51.7 cm)	
E	6" (15.24 cm)	
F	10 <sup>3</sup> / <sub>4</sub> " (27.3 cm)	
G	13 <sup>1</sup> / <sub>32</sub> " (33.2 cm)	

\* Ductless (Recirculating) version  
\*\* Ducted version

## Electrical Requirements

### IMPORTANT

Observe all governing codes and ordinances.

It is the customer's responsibility:

- To contact a qualified electrical installer.
- To assure that the electrical installation is adequate and in conformance with National Electrical Code, ANSI/NFPA 70— latest edition\*, or CSA Standards C22.1-94, Canadian Electrical Code, Part 1 and C22.2 No.0-M91 - latest edition\*\* and all local codes and ordinances.
- If codes permit and a separate ground wire is used, it is recommended that a qualified electrician determine that the ground path is adequate.
- Do not ground to a gas pipe.
- Check with a qualified electrician if you are not sure range hood is properly grounded.
- Do not have a fuse in the neutral or ground circuit.

A copy of the above code standards can be obtained from:  
National Fire Protection Association

1 Batterymarch Park  
Quincy, MA 02169-7471  
CSA International  
8501 East Pleasant Valley Road  
Cleveland, OH 44131-5575

### IMPORTANT

- Save Installation Instructions for electrical inspector's use.
- The range hood must be connected with copper wire only.
- The range hood should be connected directly to the fused disconnect (Or circuit breaker) box through metal electrical conduit.
- Wire sizes must conform to the requirements of the National Electrical Code ANSI/NFPA 70 — latest edition\*, or CSA Standards C22.1-94, Canadian Electrical Code Part 1 and C22.2 No. 0-M91 - latest edition\*\* and all local codes and ordinances.
- A U.L.- or C.S.A.-listed conduit connector must be provided at each end of the power supply conduit (at the range hood and at the junction box).

### BEFORE INSTALLING THE HOOD

1. For the most efficient air flow exhaust, use a straight run or as few elbows as possible.  
**⚠ CAUTION:** Vent unit to outside of building, only.
2. At least two people are necessary for installation.
3. Fittings material is provided to secure the hood to most types of walls/ceilings, consult a Qualified Installer, check if they perfectly fit with your cabinet/wall.
4. Do not use flex ducting.
5. COLD WEATHER installations should have an additional back draft damper installed to minimize backward cold air flow and a nonmetallic thermal break to minimize conduction of outside temperatures as part of the ductwork. The damper should be on the cold air side of the thermal break. The break should be as close as possible to where the ducting enters the heated portion of the house.
6. Make up air: Local building codes may require the use of Make-Up Air Systems when using Ducted Ventilation Systems greater than specified CFM of air movement. The specified CFM varies from locale to locale. Consult your HVAC professional for specific requirements in your area.

# Ducting Options

## CFM reduction kit

If required or desired this hood is to be used only in conjunction with CFM reduction kit model KIT02748.

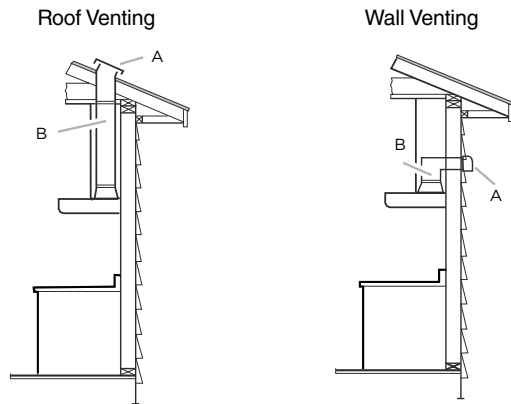
Consult your HVAC professional and local building codes for specific requirements in your area.

Closely follow the instructions set out in this manual.

All responsibility, for any eventual inconveniences, damages or fires caused by not complying with the instructions in this manual, is declined.

## Ducting version

The hood is equipped with a 6" (15.2 cm) round transition for discharge of fumes to the outside.



A. Roof cap  
B. 6" (15.2 cm) round vent

A. Wall cap  
B. 6" (15.2 cm) round vent

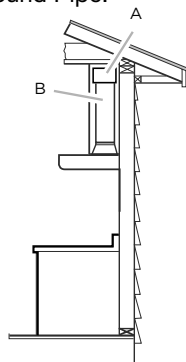
## Ductless (Recirculating)

In cases where it should not be possible to discharge cooking fumes and vapour to the outside.

Attach a charcoal filter and the deflector on the duct cover support bracket. Fumes and vapours are recycled through the top grille by means of a duct connected to the transition and the transition mounted on the deflector.

For this version only purchase the Ductless Recirculating Kit.

Minimum Duct Size: 6" Round Pipe.



A. Deflector  
B. 6" (15.2 cm) round vent

## Preparation

Do not cut a joist or stud unless absolutely necessary. If a joist or stud must be cut, then a supporting frame must be constructed. Fittings material is provided to secure the hood to most types of walls/ceilings. However, a qualified technician must verify suitability of the materials in accordance with the type of wall/ceiling.

Before making cutouts, make sure there is proper clearance within the ceiling or wall for exhaust vent.

## Recommended installation height:

Hood installation height above cooktop is the users preference.

The lower the hood is above the cooktop, the more efficient the capturing of cooking odors, grease and smoke.

## ⚠ CAUTION

For gas cooktop & range installations: Mount the hood so the bottom is at least 30" (76.2 cm) above the cooking surface.

For electric/induction cooktop & range installations: Mount the hood so the bottom is at least 24" (61 cm) above the cooking surface.

There is no maximum mounting height, however, we recommend mounting the hood no greater than 36" (91.4 cm) above the cooking surface. For every inch (2.54 cm) above 36" (91.4 cm), fume and moisture capture efficiency diminishes at an increasing rate and may not deliver an acceptable level of ventilating performance.

This hood is intended for household use.

PLEASE READ THE INSTALLATION MANUAL FOR SPECIFIC APPLICATION. Check your ceiling height and hood height before selecting your hood.

# Installation instructions

## Prepare location

- It is recommended that the vent system be installed before hood is installed.
  - Before making cutouts, make sure there is proper clearance within the ceiling or wall for exhaust vent.
  - Check your ceiling height and the hood height maximum before you select your hood.
1. Disconnect power.
  2. Determine which venting method to use: roof, wall, or nonvented.
  3. Select a flat surface for assembling the range hood. Place covering over that surface.
  4. Remove all packaging materials from inside the hood

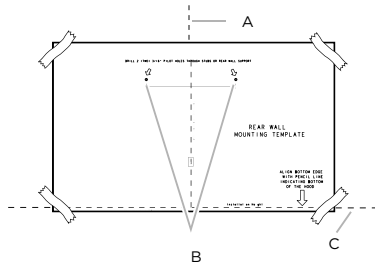
## ⚠ WARNING

TO REDUCE THE RISK OF FIRE, ELECTRIC SHOCK, OR INJURY TO PERSONS, OBSERVE THE FOLLOWING.

5. Using 2 or more people, lift range hood onto covered surface.

## Mounting the duct cover bracket

1. Determine and mark the centerline on the wall where the canopy hood will be installed. Disconnect power.
2. Select a mounting height between a minimum of 24" (61 cm) for an electric cooking surface, a minimum of 30" (76.2 cm) for a gas cooking surface, and a suggested maximum of 36" (91.4 cm) above the range to the bottom of the hood. Mark a reference line on the wall.
3. Tape template in place, aligning the template centerline and bottom of template with hood bottom line and with the centerline marked on the wall.

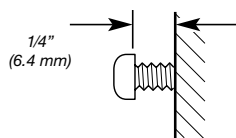


A. Centerline  
B. Fastener locations  
C. Mounting height reference (hood bottom line)

4. Mark centers of the fastener locations through the template to the wall.

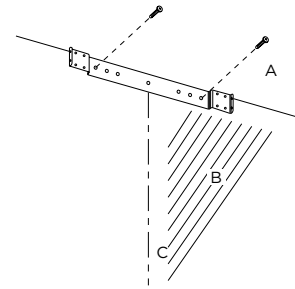
**IMPORTANT:** All screws must be installed into wood. If there is no wood to screw into, additional wall framing supports may be required.

5. Remove the template.
6. Drill  $\frac{3}{16}$ " (4.8 mm) pilot holes at all locations where screws are being installed into wood.
7. Install the 2 - 5 x 45 mm mounting screws. Leave a  $\frac{1}{4}$ " (6.4 mm) gap between the wall and the back of the screw head to slide range hood into place.



## Vent cover bracket installation

1. Attach vent cover bracket to wall flush to the ceiling using 2 - 5 x 45 mm screws.



A. Ceiling  
B. Wall  
C. Centerline

## Complete preparation

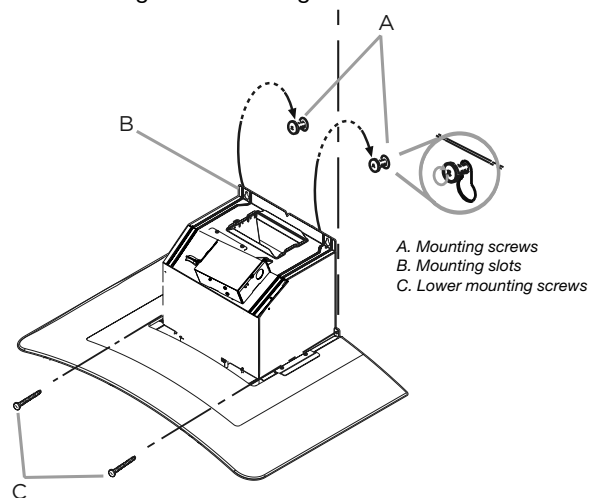
1. Determine and make all necessary cuts in the wall for the vent system. Install the vent system before installing the hood. See "Venting Requirements" section.
2. Determine the required height for the home power supply cable and drill a  $1\frac{1}{4}$ " (3.2 cm) hole at this location.
3. Run the home power supply cable according to the National Electrical Code or CSA Standards and local codes and ordinances. There must be enough  $\frac{1}{2}$ " conduit and wires from the fused disconnect (or circuit breaker) box to make the connection in the hood's electrical terminal box.

**NOTE:** Do not reconnect power until installation is complete.

4. Use caulk to seal all openings.

# Install Range Hood

1. Using 2 or more people, hang range hood on 2 mounting screws through the mounting slots on back of hood.

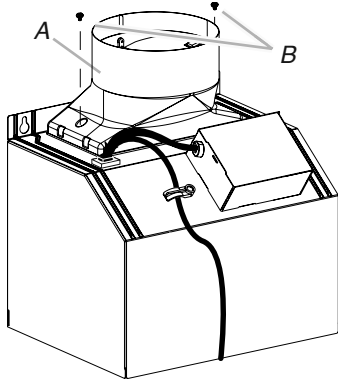


A. Mounting screws  
B. Mounting slots  
C. Lower mounting screws

2. Mark with a pencil the lower mounting holes location.
3. Uninstall the hood assembly, and drill  $\frac{3}{16}$ " (4.8 mm) pilot holes at marked locations.
4. Hang the range hood again on 2 upper mounting screws.
5. Level the range hood and tighten upper mounting screws.
6. Install 2 - 5 x 45 mm lower mounting screws and tighten. Use the optional wall anchors if needed.

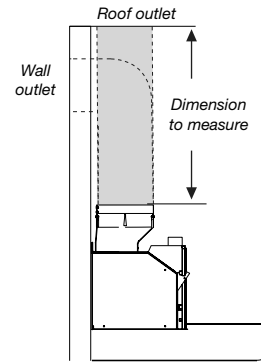
## Connect Vent System

Install transition on top of hood (if removed for shipping) with 2 - 3.5 x 9.5 mm sheet metal screws.



A. Vent transition  
B. 3.5 x 9.5 mm screw

1. Fit vent system over the exhaust outlet.
2. Measure from the bottom of the air deflector to the bottom of the hood outlet. Cut the ductwork at the measured dimension.



3. Seal connection with clamps.
4. Check that back draft dampers work properly.

For vented installations only:

## Electrical Connection

### ⚠ WARNING

ELECTRICAL SHOCK HAZARD.

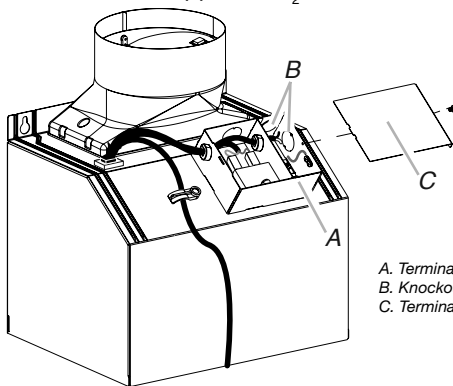
### ⚠ WARNING

DISCONNECT POWER BEFORE SERVICING.

REPLACE ALL PARTS AND PANELS BEFORE OPERATING.

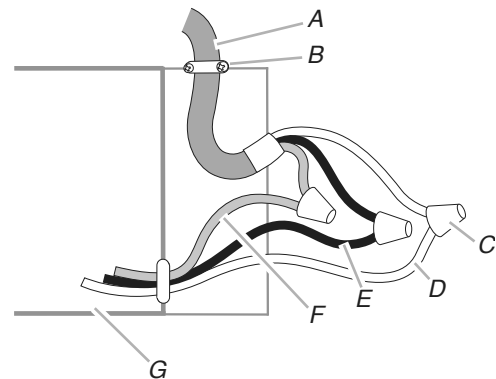
FAILURE TO DO SO CAN RESULT IN DEATH OR ELECTRICAL SHOCK.

1. Disconnect power.
2. Remove terminal box cover.
3. Remove the knockout in the terminal box cover and install a UL listed or CSA approved 1/2" strain relief.



A. Terminal box  
B. Knockout  
C. Terminal box cover

4. Run home power supply cable through strain relief, into terminal box.



A. Home power supply cable  
B. UL listed or CSA approved strain relief  
C. UL listed wire connectors  
D. White wires  
E. Black wires  
F. Green (or bare) and yellow-green ground wires  
G. Terminal box

5. Use UL listed wire connectors and connect black wires (C) together.
6. Use UL listed wire connectors and connect white wires (E) together.

### ⚠ WARNING

ELECTRICAL SHOCK HAZARD.

### ⚠ WARNING

ELECTRICALLY GROUND BLOWER.

CONNECT GROUND WIRE TO GREEN AND YELLOW GROUND WIRE IN TERMINAL BOX. FAILURE TO DO SO CAN RESULT IN DEATH OR ELECTRICAL SHOCK.

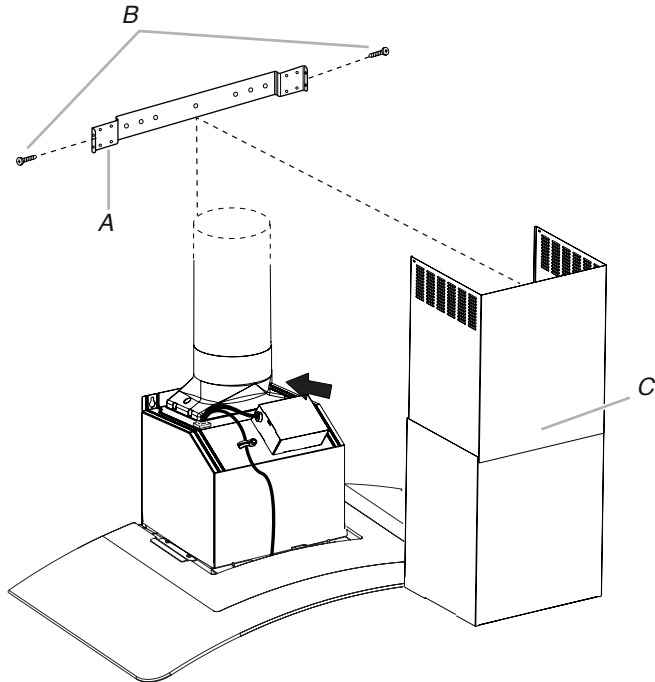
7. Connect green (or bare) ground wire from home power supply to yellow-green ground wire (F) in terminal box using UL listed wire connectors.
8. Tighten strain relief screw.
9. Install terminal box cover.
10. Reconnect power.

# Complete Installation

## Install duct covers

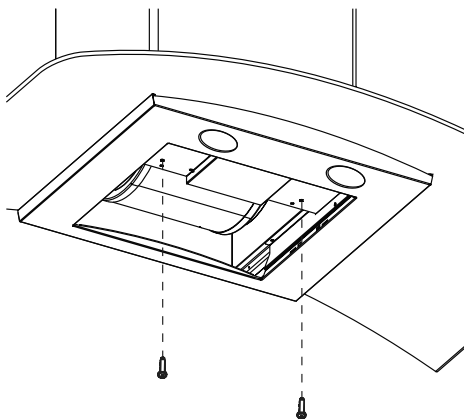
- When using both upper and lower vent covers, push lower cover down onto hood and lift upper cover to ceiling and install with two mounting screws.

**NOTE:** For vented installations, the upper vent cover may be reversed to hide slots.



A. Bracket  
B. 4 x 8 mm screws  
C. Vent covers

- Secure the bottom of the duct with 2 - 4 x 8 mm screws.

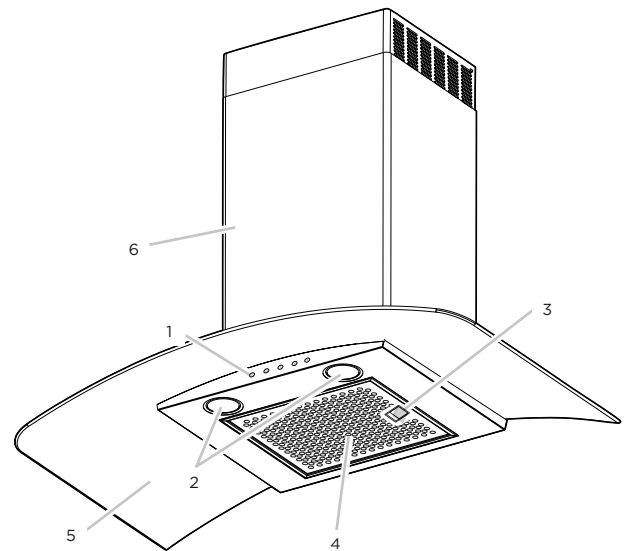


- For non-vented (recirculating) installations only, install charcoal filters over metal grease filter. See the "Maintenance" section.
- Install metal filters. See the "Maintenance" section.

To get the most efficient use from your new range hood, read the "maintenance" section.

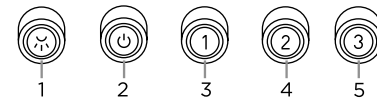
Keep your Use, Care, and installation Guide close to range hood for easy reference.

# Description of the Hood



1. Controls  
2. LED lamps  
3. Grease filter handle  
4. Grease filter  
5. Canopy  
6. Duct covers

## Control



1. Light On/Off button  
2. Blower On/Off button  
3. Blower speed minimum button  
4. Blower speed medium button  
5. Blower speed maximum button

**NOTE:** Control buttons will light up when range hood is On.

### Operating the light

The Light On/Off button (1) controls both lights. Press once for On and again for Off.

### Operating the blower

The Blower On/Off button (2) turns the blower On or Off.

The Blower Speed buttons (3, 4 and 5) set the desired speed and control the sound level for quiet operation. The speed can be changed anytime during fan operation by pressing the desired blower speed button.

- To turn the blower On, press the Blower On/Off button (2) and the desired speed button (3, 4 or 5).
- To turn the blower Off, press the Blower On/Off button (2).

Any of the 3 blower speed buttons can be in the On position at the same time. The blower will operate at the highest speed button that is pushed in. For lower blower speeds, the higher speed buttons must not be pushed in.



# Range Hood Care

## Cleaning

Do not spray cleaners directly to the control while cleaning the Hood. The cooker hood should be cleaned regularly (at least with the same frequency with which you carry out maintenance of the fat filters) internally and externally. Clean using the cloth dampened with neutral liquid detergent. Do not use abrasive products.

DO NOT USE ALCOHOL!

### ⚠ WARNING

Failure to carry out the basic cleaning recommendations of the cooker hood and replacement of the filters may cause fire risks.

Therefore, we recommend observing these instructions.

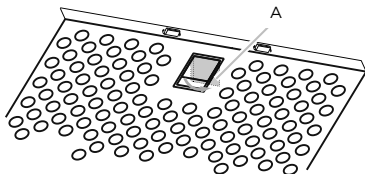
The manufacturer declines all responsibility for any damage to the motor or any fire damage linked to inappropriate maintenance or failure to observe the above safety recommendations.

## Grease Filter

Traps cooking grease particles.

This must be cleaned once a month using non aggressive detergents, either by hand or in the dishwasher, which must be set to a low temperature and a short cycle. When washed in a dishwasher, the grease filter may discolour slightly, but this does not affect its filtering capacity.

To remove the grease filter, pull the spring release handle.



A. Spring release handle

## Replacing a LED Lamp

The LED lights are replaceable by a service technician only. See "Who to contact" section in the warranty for service contact information.

## Charcoal Filter

If the model is not vented to the outside, the air will be recirculated through disposable charcoal filters that help remove smoke and odors.

The charcoal filters cannot be cleaned. They must be replaced.

The charcoal filters are clipped inside of each metal grease filter (mounting instructions included with charcoal filters kit).

The charcoal filters should be replaced every 4-6 months (depending on hood usage).

**NOTE:** DO NOT rinse, or put charcoal filters in an automatic dishwasher.

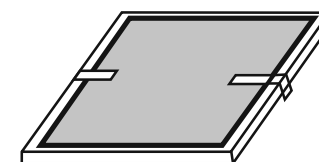
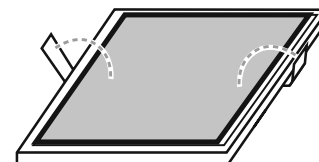
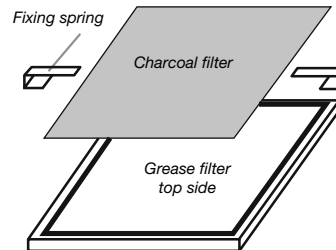
**NOTE:** Charcoal filters are not included with the hood. They must be ordered from your supplier. Order the needed kit specifying your hood model and width size.

### Charcoal filter placement (Recirculating accessories)

Fit the charcoal filter mattress on the upper side of each grease filter.

Use provided springs to fix it in place.

**NOTE:** When removing for replacing for a new one do not remove Fixing Springs, simply pull out one and rotate outwards.



Are You Having Difficulty Assembling  
This Product? Missing Parts?

**PLEASE DO NOT RETURN TO THE STORE!**

*Call Service Power*

**1-888-732-8018**

between 7 a.m. and 4:00 p.m. (Pacific Time), Monday - Friday

or Email: ***elica@servicepower.com***

(please include contact name, model, serial number, purchasing ticket and best time to contact)

**for all replacement parts and any questions  
you may have about this product!**

**SERVICE** *Power*  
Service Made Simple

1503 South Coast Drive #320 Costa Mesa, CA 92626

**IMPORTANT: Please save the original package if return is needed.**

# WARRANTY

**TO OBTAIN SERVICE UNDER WARRANTY:  
or any Service Related Questions, please call:  
1-888-732-8018**

Staple your receipt here.  
Proof of the original purchase  
date is needed to obtain service  
under the warranty.

**TO OBTAIN SERVICE UNDER WARRANTY: You must present proof of original purchase date.  
Please keep a copy of your dated proof of purchase (sales slip) in order to obtain service under warranty.**

## **Parts and Service Warranty:**

For the period of one year from the date of the original purchase, we will provide free of charge, non consumable parts or components that failed due to manufacturing defects. During this one year limited warranty, we will also provide, free of charge, all labor and in-home service to replace the defective part.

## **What is Not Covered:**

- Damage to the product caused by floods, act of God, fire and accidents.
- Damage caused after delivery.
- House fuses replacement or resetting of circuit breakers.
- Service trips to your home to teach you how to use or install the product.
- Light bulbs, metal, carbon filters and the other consumable parts.
- The natural wear of finish, and wear due to improper maintenance, use of corrosive and abrasive cleaning products, pads, and oven cleaner products.

## **This warranty will be voided when:**

- Product damaged due to improper installation and failure to follow installation instructions, delivery or maintenance.
- Incidental or consequential damage caused by possible defects with this appliance.
- Alteration or modification of the Product which may cause in damage to the Product, or failure to operate it in accordance with specifications.
- Damage because of improper connection with equipment of other manufacturers.
- Failure of the product if it is negligence, abused, misused, or used for other than the intended purpose or used commercially.
- Improper repair, modification or servicing of the Product performed by third parties other than Authorized Agents.

## **Who is Covered:**

This warranty is extended to the original purchaser for products purchased for ordinary home use in the 48 mainland states, Hawaii, Washington D.C. Alaska, Guam, Puerto Rico and the Virgin Islands.

This warranty is non-transferable and applies only to the original purchaser and does not extend to subsequent owners of this product. This warranty is made expressly in lieu of all other warranties, expressed or implied, including, but not limited, any implied warranty of merchantability or fitness for a particular purpose, and all other obligations on the part of Elicamex, provided, however, that if the disclaimer of implied warranties is ineffective under applicable law, the duration of any implied warranties arising by operation of law shall be limited to 1 (one) year from the date of original purchase at retail or such longer period as may be required by applicable law.

This warranty does not cover any special, incidental and/or consequential damages, nor loss of profits, suffered by the original purchaser, its customers and/or the users of the Product.

Have your product proof of purchase with date ready for warranty issues.  
Or write to:

## **Who to contact**

To obtain service under warranty or for any service related question, please visit the support section on the website below:

[www.elica.com](http://www.elica.com)

Have your product proof of purchase with date ready for warranty issues.

---

# Sommaire

Outils et pièces	14
Dimensions du produit	15
Exigences électriques	15
Méthodes d'évacuation	16
Instructions d'installation	17
Installation de la Hotte	17
Electrical Connection	18
Installation complète	19
Description de la hotte	19
Commandes	19
Range Hood Care	20
GARANTIE	22

**APPROUVÉ COMME APPAREIL DOMESTIQUE  
POUR UNE UTILISATION RÉSIDENIELLE SEULEMENT  
LISEZ CES INSTRUCTIONS ET CONSERVEZ-LES**

**VEUILLEZ LIRE CES INSTRUCTIONS AU COMPLET AVANT  
DE COMMENCER.  
L'INSTALLATION DE L'APPAREIL DOIT RESPECTER TOUS  
LES CODES EN VIGUEUR.**

**IMPORTANT:** Conservez ces instructions afin de pouvoir les remettre à l'inspecteur-électricien de votre région.

**INSTALLATEUR:** Veuillez laisser ces instructions avec l'appareil pour le propriétaire.

**PROPRIÉTAIRE:** Veuillez conserver ces instructions pour pouvoir vous y référer plus tard.

**Avertissement de sécurité:** Coupez l'alimentation du circuit dans le panneau électrique et verrouillez le panneau avant de raccorder les fils de cet appareil

Requirement 120 VAC, 60 Hz. 15 or 20 A Branch Circuit

# IMPORTANTES INSTRUCTIONS DE SÉCURITÉ

**AVERTISSEMENT:** POUR RÉDUIRE LE RISQUE D'INCENDIE, CHOC ÉLECTRIQUE OU DOMMAGES CORPORELS, RESPECTER LES INSTRUCTIONS SUIVANTES:

- Utiliser cet appareil uniquement dans les applications envisagées par le fabricant. Pour toute question, contacter le fabricant.
- Avant d'entreprendre un travail d'entretien ou de nettoyage, interrompre l'alimentation de la hotte au niveau du tableau de disjoncteurs, et verrouiller le tableau de disjoncteurs pour empêcher tout rétablissement accidentel de l'alimentation du circuit. Lorsqu'il n'est pas possible de verrouiller le tableau de disjoncteurs, placer sur le tableau de disjoncteurs une étiquette d'avertissement proéminente interdisant le rétablissement de l'alimentation.
- Tout travail d'installation ou câblage électrique doit être réalisé par une personne qualifiée, dans le respect des prescriptions de tous les codes et normes applicables, y compris les codes du bâtiment et de protection contre les incendies.
- Une source d'air de débit suffisant est nécessaire pour le fonctionnement correct de tout appareil à gaz (combustion et évacuation des gaz à combustion par la cheminée), pour qu'il n'y ait pas de reflux des gaz de combustion. Respecter les directives du fabricant de l'équipement de chauffage et les prescriptions des normes de sécurité - comme celles publiées par la National Fire Protection Association (NFPA) et l'American Society for Heating, Refrigeration and Air Conditioning Engineers (ASHRAE), et les prescriptions des autorités réglementaires locales.
- Lors d'opérations de découpage et de perçage dans un mur ou un plafond, veiller à ne pas endommager les câblages électriques ou canalisations qui peuvent s'y trouver.
- Les ventilateurs d'évacuation doivent toujours décharger l'air à l'extérieur.

**MISE EN GARDE:** Cet appareil est conçu uniquement pour la ventilation générale. Ne pas l'utiliser pour l'extraction de matières ou vapeurs dangereuses ou explosives.

**MISE EN GARDE:** Pour minimiser le risque d'incendie et évacuer adéquatement les gaz, veiller à acheminer l'air aspiré par un conduit jusqu'à l'extérieur - ne pas décharger l'air aspiré dans un espace vide du bâtiment comme une cavité murale, un plafond, un grenier, un vide sanitaire ou un garage.

**AVERTISSEMENT:** POUR RÉDUIRE LE RISQUE D'INCENDIE, UTILISER UNIQUEMENT DES CONDUITS MÉTALLIQUES.

**AVERTISSEMENT:** Ne pas utiliser un ventilateur avec un cordon ou une fiche endommagé. Jeter ventilateur ou retourner à un cen-

tre de service autorisé pour examen et / ou réparation.

**AVERTISSEMENT:** POUR MINIMISER LE RISQUE D'UN FEU DE GRAISSE SUR LA CUISINIÈRE:

- Ne jamais laisser un élément de surface fonctionner à puissance de chauffage maximale sans surveillance. Un renversement/débordement de matière grasseuse pourrait provoquer une inflammation et la génération de fumée. Utiliser une puissance de chauffage moyenne ou basse pour le chauffage d'huile.
- Veiller à toujours faire fonctionner le ventilateur de la hotte lors de la cuisson avec une puissance de chauffage élevée ou lors de la cuisson d'un mets à flamber (à savoir crêpes Suzette, cerise jubilee, steak au poivre flambé).
- Nettoyer fréquemment les ventilateurs d'extraction. Veiller à ne pas laisser la graisse s'accumuler sur les surfaces du ventilateur ou des filtres.
- Utiliser toujours un ustensile de taille appropriée. Utiliser toujours un ustensile adapté à la taille de l'élément chauffant.

**AVERTISSEMENT:** POUR RÉDUIRE LE RISQUE DE DOMMAGES CORPORELS APRÈS LE DÉCLENCHEMENT D'UN FEU DE GRAISSE SUR LA CUISINIÈRE, APPLIQUER LES RECOMMANDATIONS SUIVANTES:<sup>a</sup>

- Placer sur le récipient un couvercle bien ajusté, une tôle à biscuits ou un plateau métallique POUR ÉTOUFFER LES FLAMMES, puis éteindre le brûleur. VEILLER À ÉVITER LES BRÛLURES. Si les flammes ne s'éteignent pas immédiatement, ÉVACUER LA PIÈCE ET APPELER LES POMPIERS.
- NE JAMAIS PRENDRE EN MAIN UN RÉCIPENT ENFLAMMÉ - vous risquez de vous brûler.
- NE PAS UTILISER D'EAU, ni un torchon humide - ceci pourrait provoquer une explosion de vapeur brûlante.
- Utiliser un extincteur SEULEMENT si:
  - Il s'agit d'un extincteur de classe ABC, dont on connaît le fonctionnement.
  - Il s'agit d'un petit feu encore limité à l'endroit où il s'est déclaré.
  - Les pompiers ont été contactés.
  - YII est possible de garder le dos orienté vers une sortie pendant l'opération de lutte contre le feu.

<sup>a</sup>Recommandations tirées des conseils de sécurité en cas d'incendie de cuisine publiés par la NFPA.

**AVERTISSEMENT:** Pour réduire le risque d'incendie ou de choc électrique, ne pas utiliser ce ventilateur avec un quelconque dispositif de réglage de la vitesse à semiconducteurs.

## LIRE ET CONSERVER CES INSTRUCTIONS

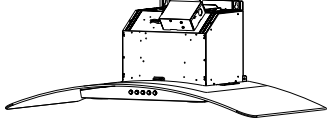


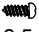
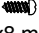

# Outils et pièces

## Pièces fournies

Retirer l'emballage

### ⚠ ATTENTION

Enlever délicatement le carton, porter des gants pour se protéger des bords coupants.

Pièces Fournies	Quantité
 <p>Assemblage hotte avec soufflerie et lampes DEL</p>	1
 <p>5x45 mm</p>	6
 <p>5.4x75 mm</p>	4
 <p>3.5x9.5 mm</p>	2
 <p>4x8 mm</p>	4
 <p>Adaptateur Torx 10</p>	1

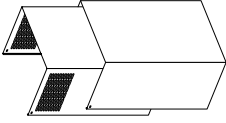
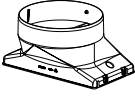



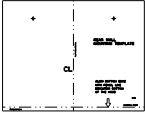
## Pièces non fournies

### Outils nécessaires

- Niveau
- Perceuse
- Mèches de 1 1/4" (3,2 cm), 1/8" (3,2 mm) et 1/16" (4,8 mm).
- Crayon
- Pince à dénuder ou couteau universel
- Ruban à mesurer ou règle
- Pincettes
- Pistolet à calfeutrer et produit de calfeutrage résistant aux intempéries
- Scie sauteuse ou scie à guichet
- Cisailles à métaux
- Tournevis :
  - Lame plate
  - Phillips

### ⚠ AVERTISSEMENT

Enlever le film de protection recouvrant le produit avant de commencer l'opération.

Supplied Part	Pieces
 <p>Conduits de cheminée</p>	2
 <p>Transition ronde de 6"</p>	1
 <p>8x40 mm</p>	2
 <p>10x60 mm</p>	4
 <p>Duct cover bracket</p>	1
 <p>Gabarit de montage</p>	1

### Pièces nécessaires

- Câble d'alimentation domestique
- Dispositif anti-traction de 1/2" (12,7 mm) répertorié UL ou approuvé CSA
- 3 connecteurs de fils homologués UL

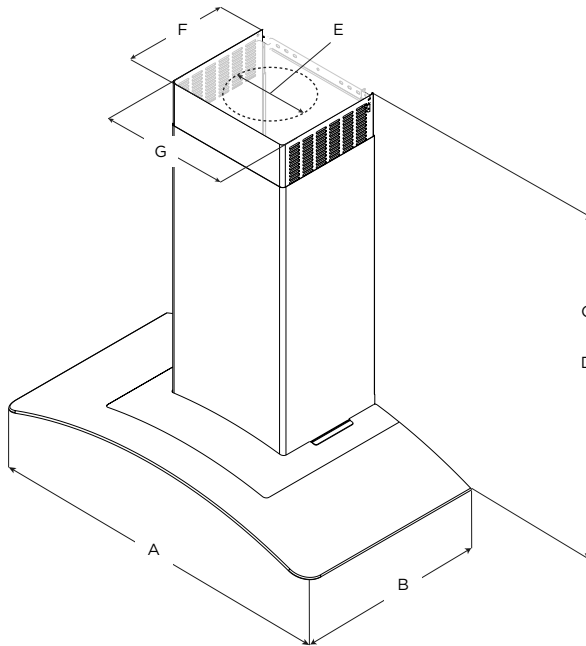
### Pour les installations ventilées, vous aurez également besoin de:

- 1 capuchon de mur ou de toit
- Un système d'évent métallique

## Accessoires optionnel

KIT	# Part
Kit de recyclage	KIT0102875
Caché Conduit Extension Kit	KIT01609/1
Kit de déflecteur d'air 6	KIT0102873
Kit de réduction CFM	KIT02748

## Dimensions du produit



	Modèles	
	ADK430SSB	ADK436SSB
A	30" (76,2 cm)	36" (91,4 cm)
B	19 <sup>11</sup> / <sub>16</sub> " (50 cm)	
C*	Max: 36 <sup>5</sup> / <sub>8</sub> " (93 cm) Min: 24" (61 cm)	
D**	Max: 32 <sup>13</sup> / <sub>16</sub> " (83,3 cm) Min: 20 <sup>3</sup> / <sub>8</sub> " (51,7 cm)	
E	6" (15,24 cm)	
F	10 <sup>3</sup> / <sub>4</sub> " (27,3 cm)	
G	13 <sup>1</sup> / <sub>32</sub> " (33,2 cm)	

\* Seulement avec la version sans conduit (à recyclage)

\*\* Seulement avec la version version à conduit

## Exigences électriques

### IMPORTANT

Respectez tous les codes et les ordonnances en vigueur.

- Le client a la responsabilité de :
- Contacter un électricien-installateur.
- Vérifier que l'installation électrique est adéquate et conforme avec le Code national de l'électricité, ANSI/ NFPA 70 (la plus récente édition\*), ou les normes C22.1-94, Code canadien de l'électricité, Partie 1 et C22.2 No.0-M91 (La plus récente édition\*\*) de la CSA, ainsi que tous les codes et les ordonnances de votre région.
- Si le code le permet et que vous utilisez un fil de mise à la terre distinct, il est recommandé de faire vérifier le chemin du fil par un électricien.
- Ne pas mettre l'appareil à la terre sur une conduite de gaz.
- Consultez un électricien qualifié si vous n'êtes pas certain que la hotte est mise à la terre correctement.
- N'installez pas un fusible dans le circuit neutre ou le circuit de mise à la terre.

### IMPORTANT

- Conservez ces instructions afin de pouvoir les remettre à l'inspecteur-électricien.
- La hotte doit être câblée uniquement à l'aide de fils de cuivre.
- Il faut raccorder la hotte directement à une boîte à fusible ou à un disjoncteur par l'entremise d'une canalisation électrique en métal.
- Le calibre de fil doit être conforme aux exigences du Code national de l'électricité, ANSI/NFPA 70 (La plus récente édition\*), ou les normes C22.1-94, Code canadien de l'électricité, Partie 1 et C22.2 0-M91 (La plus récente édition\*\*) de la CSA, ainsi que tous les codes et les ordonnances de votre région.
- Il faut prévoir un connecteur de canalisation approuvé par l'UL ou la CSA à chaque extrémité de la canalisation d'alimentation (À la hotte et à la boîte de jonction).

Vous pouvez obtenir un exemplaire des normes indiquées en vous adressant à :

\* La National Fire Protection Association, Batterymarch Park Quincy, Massachusetts, 02269

\*\* La CSA International, 8501 East Pleasant Valley Road, Cleveland, Ohio, 44131-5575

### AVANT D'INSTALLER LA HOTTE

1. Pour assurer la ventilation la plus efficace possible, installez la conduite en ligne droite ou avec le moins de coudes possibles.

ATTENTION : La sortie de la conduite de ventilation doit donner sur l'extérieur.

2. Deux personnes sont nécessaires pour effectuer l'installation.
3. La quincaillerie fournie permet de fixer la hotte à la plupart des murs et des plafonds; consultez un installateur qualifié pour vous assurer que la quincaillerie fournie est adaptée à votre type de mur ou d'armoire.
4. N'utilisez pas de conduit flexible.
5. Dans le cas des endroits sujets aux TEMPÉRATURES FROIDES, il faut installer un clapet de contre-tirage supplémentaire afin de minimiser le retour d'air froid et un isolant thermique non métallique afin de minimiser la conduction de la température extérieur dans le conduit. Il faut placer le clapet du côté de l'air froid de l'isolant thermique. L'isolant doit être placé le plus près possible de l'endroit où le conduit entre dans la partie chauffée de la maison.

6. Air d'appoint : Le code du bâtiment de votre région peut exiger l'utilisation d'un système d'air d'appoint si vous utilisez un système de ventilation à conduit dont le mouvement d'air

dépasse un certain nombre de CFM. Le nombre de pi3/min varie d'une région à l'autre. Consultez un professionnel de CVC pour connaître les exigences précises de votre région.

## Méthodes d'évacuation

### Kit de réduction CFM

Si nécessaire ou souhaité, cette hotte doit être utilisée uniquement avec le kit de réduction CFM modèle KIT02748.

Consultez votre professionnel des installations de chauffage et les codes du bâtiment locaux pour connaître les exigences spécifiques de votre région.

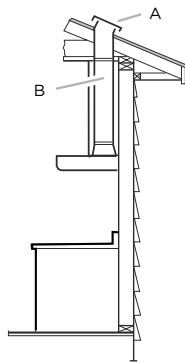
Suivez à la lettre les directives présentées dans ce manuel.

Le fabricant refuse toute responsabilité en ce qui a trait à tout préjudice, dommage ou incendie causé par la non observation des directives contenues dans le présent manuel.

### Versión à conduit

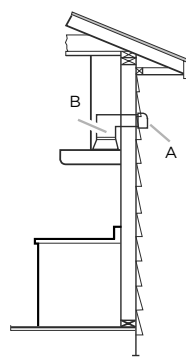
The hood is equipped with a 6" (15.2 cm) round transition for discharge of fumes to the outside.

Décharge à travers le toit



A. Bouche de décharge sur toit  
B. Conduit rond de 6" (15,2 cm)

Décharge à travers le mur

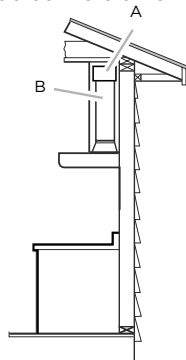


C. Bouche de décharge sur le mur  
D. Conduit rond de 6" (15,2 cm)

### Versión sans conduit (Recyclage)

S'il s'avère impossible d'évacuer la fumée et les vapeurs de cuisson à l'extérieur, il est possible de transformer la hotte en version sans conduit (Recyclage). Fixer un filtre au charbon et le déflecteur sur le support de couvercle de conduit. La fumée et la vapeur sont recyclées.

Dans le cas de la version sans conduit (à recyclage) seulement: procurez-vous la trousse de conversion en hotte à recyclage.



A. Deflector  
B. 6" (15.2 cm) round vent

### Préparation

Ne coupez pas une solive ou un montant à moins qu'il soit absolument nécessaire de le faire. Si vous devez couper une solive ou un montant, vous devez construire un cadre de soutien.

La quincaillerie fournie permet de fixer la hotte à la plupart des murs et des plafonds.

Vous devez cependant demander à un technicien qualifié de vérifier la solidité des matériaux selon le type de mur ou de plafond.

Avant de couper, assurez-vous qu'il y a un dégagement suffisant dans le plafond ou le mur pour passer la conduite de sortie.

### Hauteur d'installation recommandée:

La hauteur d'installation de la hotte au-dessus de la table de cuisson dépend de la préférence de l'utilisateur.

Plus la hotte est basse au-dessus de la table de cuisson, plus elle est efficace pour capturer les odeurs de cuisson, la graisse et la fumée.

#### ⚠ ATTENTION

Pour l'installation des cuisinières à gaz: Installer cette hotte de sorte que le rebord inférieur est à 30" (76,2 cm) au-dessus de la surface de cuisson.

Pour l'installation des cuisinières électriques / induction: Installer cette hotte de sorte que le rebord inférieur est pas moins de 24" (61 cm) sur la surface de cuisson.

Il est recommandé d'installer cette hotte plus de 36" (91,4 cm) au-dessus de la surface de cuisson. Par pouce (2,54 cm) supérieure à 36" (91.4 cm) diminuera l'efficacité de la capture de la fumée et de l'humidité, et la performance de ventilation.

S'IL VOUS PLAÎT LIRE L'INSTALLATION POUR UNE INSTALLATION SPÉCIFIQUE. Avant de choisir la hotte, vérifiez la hauteur du plafond et la hauteur maximale de la hotte.



# Instructions d'installation

## Préparation de l'emplacement

- Il est recommandé d'installer le circuit d'évacuation avant de procéder à l'installation de la hotte.
  - Avant d'exécuter les découpages, vérifier la disponibilité d'un dégagement suffisant dans le plafond ou le mur pour le conduit d'évacuation.
  - Avant d'installer la hotte, mesurer la hauteur libre sous plafond et la hauteur maximum disponible sous la hotte.
1. Déconnecter la source de courant électrique.
  2. Déterminer la méthode d'évacuation à utiliser: décharge à travers le mur ou le toit, ou recyclage.
  3. Sélectionner une surface plane pour l'assemblage de la hotte. Placer le matériau de protection sur cette surface.

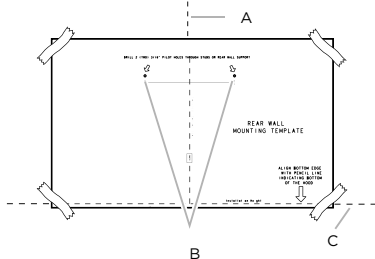
## ⚠ AVERTISSEMENT

POUR RÉDUIRE LE RISQUE D'INCENDIE, CHOC ÉLECTRIQUE OU DOMMAGES CORPORELS, RESPECTER LES INSTRUCTIONS SUIVANTES:

4. À l'aide de deux personnes ou plus, soulever la hotte et la poser sur la surface couverte.

## Installation des vis de montage de la hotte

1. Déterminer et marquer la position de l'axe central sur le mur où la hotte sera installée.
2. Sélectionner une hauteur de montage comprise entre un minimum de 24" (61 cm) pour une surface de cuisson électrique, un minimum de 30" (76,2 cm) pour une surface de cuisson au gaz et un maximum suggéré de 36" (91,4 cm) entre le dessus de la cuisinière et le bas de la hotte. Marquer la ligne de repérage sur le mur.
3. Fixer le gabarit en place avec du ruban adhésif; aligner l'axe central du gabarit et le bas du gabarit avec la ligne correspondant au bas de la hotte, et avec l'axe central déjà tracé sur le mur.

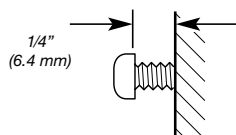


A. Axe central  
B. Emplacements des attaches  
C. Ligne de référence pour la hauteur de montage (bas de la hotte)

4. À l'aide du gabarit, marquer sur le mur le centre des attaches.

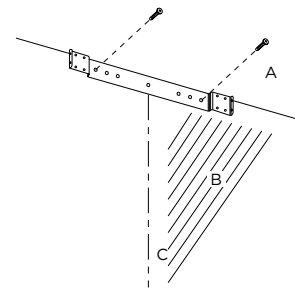
**IMPORTANT:** Toutes les vis de montage de la hotte en îlot doivent être vissées dans du bois où cela est possible. Si l'on ne peut pas visser les vis de montage de la hotte dans du bois, des tasseaux supplémentaires pour accrochage mural seront peut-être nécessaires.

5. Retirer le gabarit.
6. Pour bois, percer des avant-trous de 3/16" (4,8 mm) à tous les emplacements de pose des vis dans du bois.
7. Pour bois, installer les 2 vis de montage de 5 x 45 mm. Laisser un espace de 1/4" (6,4 mm) entre le mur et l'arrière de la tête de vis pour faire glisser la hotte et la mettre en place.



## Installation de la bride de cache-conduit

1. Fixer la bride du cache-conduit au mur en affleurement avec le plafond à l'aide de 2 vis de 5 x 45 mm.



A. Toit  
B. Mur  
C. Axe central

## Achever la Préparation

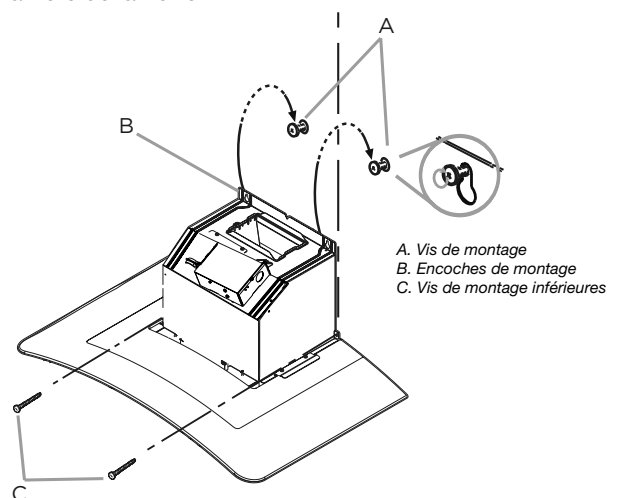
1. Déterminer et effectuer tous les découpages nécessaires dans le mur pour le passage du circuit d'évacuation. Installer le circuit d'évacuation avant la hotte. Voir la section "Exigences concernant l'évacuation".
2. Déterminer la hauteur appropriée pour le cordon d'alimentation du domicile et percer un trou de 1 1/4" (3,2 cm) à cet endroit.
3. Acheminer le câble d'alimentation du domicile selon les prescriptions du Code national de l'électricité, des normes CSA et des codes et règlements locaux. Il faut que la longueur du conduit de 1/2" et des conducteurs soit suffisante depuis le tableau de distribution (avec fusibles ou disjoncteurs) pour réaliser le raccordement dans le boîtier de connexion de la hotte.

**REMARQUE:** Ne pas mettre le système sous tension avant d'avoir complètement terminé l'installation.

4. Utiliser un calfeutrant pour assurer l'étanchéité au niveau de chaque ouverture.

# Installation de la Hotte

1. À deux personnes au moins, suspendre la hotte aux 2 crochets de montage, à travers les encoches de montage à l'arrière de la hotte.



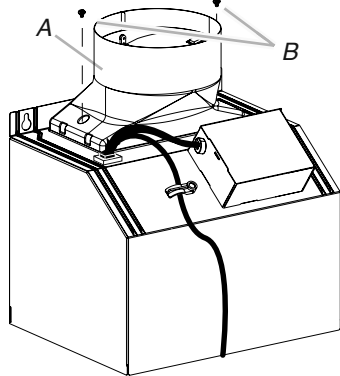
A. Vis de montage  
B. Encoches de montage  
C. Vis de montage inférieures

2. Mark avec un crayon les emplacements des trous inférieurs.
3. Désinstaller l'ensemble de la hotte et percer des trous pilotes de 3/16" (4,8 mm) aux emplacements marqués.
4. Remplacer le capot sur 2 haut les vis de montage.

5. Mettre la hotte de niveau et serrer les vis de montage supérieures.
6. Installer les 2 vis de montage de 5 x 45 mm et serrer. Utiliser les pièces d'ancrage mural facultatives si nécessaire.

#### Raccordement du circuit d'évacuation

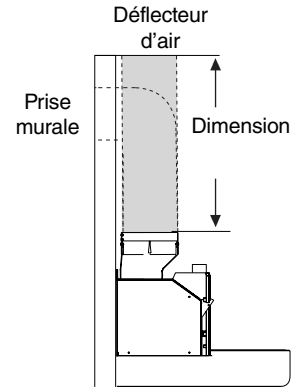
Installer le raccord de transition au sommet de la hotte (s'il a été enlevé pour expédition), avec 2 vis de 3,5 x 9,5 mm.



A. Raccord de transition  
B. Vis 3,5 x 9,5 mm

#### Pour les installations avec décharge à l'extérieur uniquement:

1. Le circuit d'évacuation doit être installé par dessus la sortie d'évacuation.
2. Mesurer la distance entre le bas du déflecteur et le bas de la sortie de la hotte. Couper le conduit à la dimension mesurée..



3. Serrer le raccord avec des brides de serrage.
4. Vérifier que les clapets anti-retour fonctionnent correctement.

## Electrical Connection

### ⚠ AVERTISSEMENT

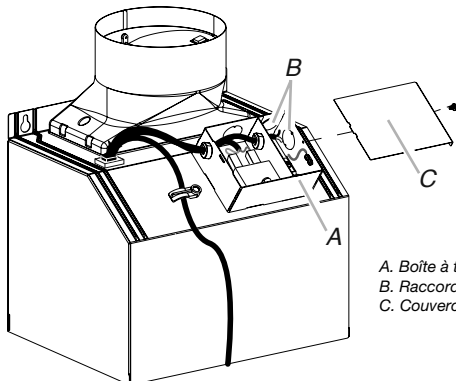
RISQUE DE CHOC ÉLECTRIQUE

### ⚠ AVERTISSEMENT

DÉCONNECTER LA SOURCE DE COURANT ÉLECTRIQUE AVANT L'ENTRETIEN.

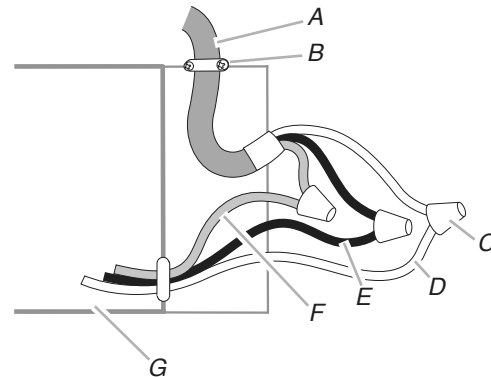
REPLACER PIÈCES ET PANNEAUX AVANT DE FAIRE LA REMISE EN MARCHÉ. LE NON-RESPECT DE CES INSTRUCTIONS PEUT CAUSER UN DÉCÈS OU UN CHOC ÉLECTRIQUE.

1. Déconnecter la source de courant électrique.
2. Retirer le couvercle du boîtier de connexion.
3. Ôter l'opercule arrachable du boîtier de connexion et installer un serre-câble de 1/2" (homologation UL ou CSA).



A. Boîte à terminaux  
B. Raccordement  
C. Couvercle de boîte à terminaux

4. Acheminer le cordon d'alimentation du domicile à travers le serre-câble, dans le boîtier de connexion.



A. Câble d'alimentation domestique  
B. Soulagement de traction répertorié UL  
ou approuvé CSA  
C. Connecteurs de fils répertoriés UL  
D. Fils blancs  
E. Fils noirs  
F. Fils de terre verts (ou nus) et jaune-vert  
G. Boîte à terminaux

5. Connecter ensemble les conducteurs noirs (C) à l'aide de connecteurs de fils (homologation UL).
6. Connecter ensemble les conducteurs blancs (E) à l'aide de connecteurs de fils (homologation UL).

### ⚠ AVERTISSEMENT

DÉCONNECTER LA SOURCE DE COURANT ÉLECTRIQUE AVANT L'ENTRETIEN.

REPLACER PIÈCES ET PANNEAUX AVANT DE FAIRE LA REMISE EN MARCHÉ. LE NON-RESPECT DE CES INSTRUCTIONS PEUT CAUSER UN DÉCÈS OU UN CHOC ÉLECTRIQUE.

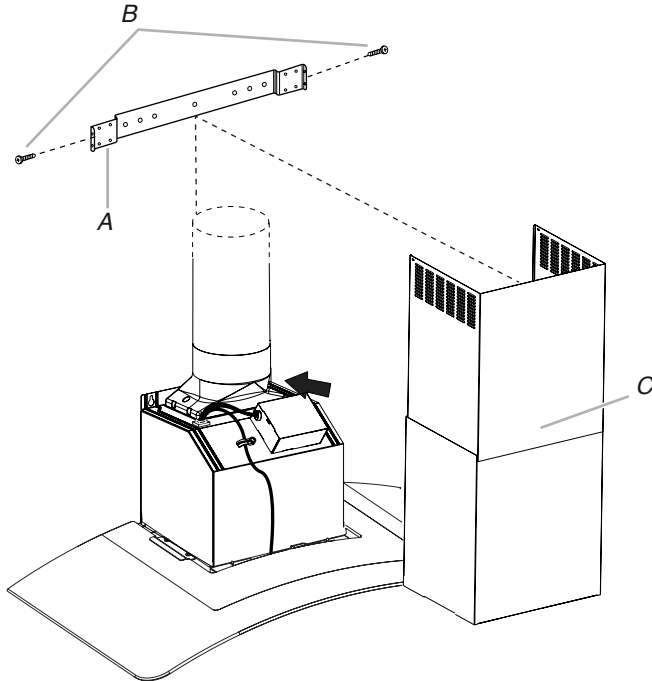
7. À l'aide des connecteurs de fils (homologation UL), connecter le conducteur de liaison à la terre (vert ou nu) du câble d'alimentation du domicile au conducteur vertjaune de liaison à la terre (F) dans le boîtier de connexion.
8. Serrer la vis du serre-câble.
9. Installer le couvercle du boîtier de connexion.
10. Reconnecter la source de courant électrique.

# Installation complète

## Installation des Cache-conduits

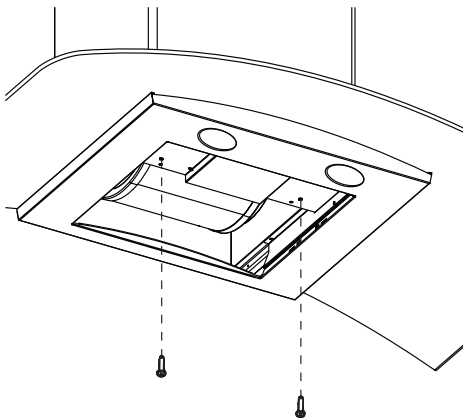
- En cas d'utilisation des sections supérieure et inférieure du cache-conduit, pousser la section inférieure vers le bas, sur la hotte et soulever la section supérieure vers le plafond et installer avec 2 vis de montage.

**REMARQUE:** Pour les installations avec décharge à l'extérieur, le cache-conduit supérieur peut être inversé pour dissimuler les fentes



A. Support  
B. Vis 4 x 8 mm  
C. couvercles de conduits

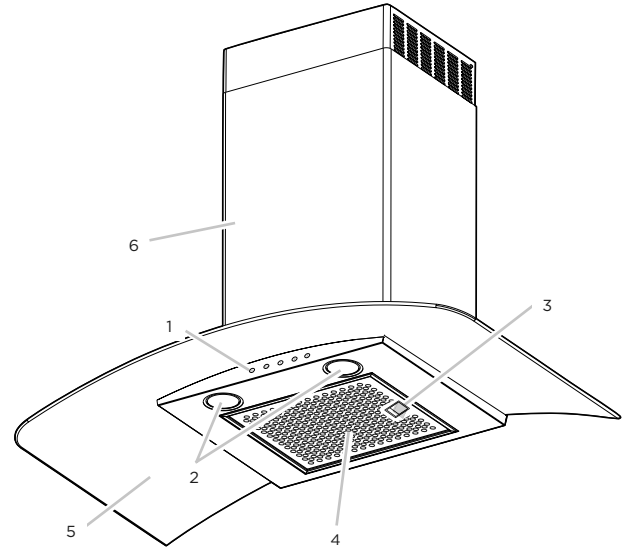
- Fixer le bas du cache-conduit avec 2 vis de 4,2 x 8 mm.



- Pour les installations sans décharge à l'extérieur (recyclage) uniquement, installer les filtres à charbon sur le filtre à graisse métallique. Voir la section "Entretien".
- Installer les filtres métalliques. Voir la section "Entretien de la hotte".

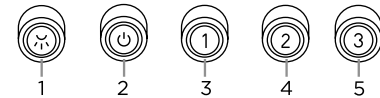
**REMARQUE:** Pour pouvoir tirer le plus grand parti de la nouvelle hotte de cuisinière, lire la section "Entretien".

# Description de la hotte



1. Commandes du ventilateur et lampes
2. Lampes DEL
3. Poignée du filtre à graisse
4. Filtre à graisse
5. Auvent de verre
6. Conduits de cheminée

## Commandes



1. Bouton marche/arrêt de l'éclairage
2. Bouton de marche/arrêt du ventilateur
3. Bouton de vitesse minimale du ventilateur
4. Touche de vitesse moyenne du ventilateur
5. Touche de vitesse maximale du ventilateur

**REMARQUE:** Les boutons de commande s'allument lorsque la hotte est en marche.

### Utilisation de l'éclairage

Le bouton Light On/Off (1) permet de contrôler les deux lumières. Appuyez une fois pour allumer et une autre fois pour éteindre.

### Fonctionnement de la soufflerie

Le bouton Blower On/Off (2) permet d'activer ou de désactiver la soufflerie.

Les boutons de vitesse de la soufflante (3, 4 et 5) permettent de régler la vitesse souhaitée et de contrôler le niveau sonore pour un fonctionnement silencieux. La vitesse peut être modifiée à tout moment pendant le fonctionnement du ventilateur en appuyant sur le bouton de vitesse de soufflage souhaité.

1. Pour mettre le ventilateur en marche, appuyez sur la touche Blower On/Off (2) et sur la touche de vitesse souhaitée (3, 4 ou 5).
2. Pour arrêter le ventilateur, appuyez sur le bouton Blower On/Off (2).

N'importe lequel des 3 boutons de vitesse de la soufflerie peut être en position de marche en même temps. La soufflante fonctionnera à la vitesse la plus élevée qui est enfoncée. Pour réduire la vitesse de la soufflerie, il ne faut pas enfoncer les boutons de vitesse supérieure.

# Range Hood Care

## Nettoyage

Ne pas vaporiser de nettoyants directement sur le panneau de contrôle lors du nettoyage de la Hotte La hotte doit être régulièrement nettoyée à l'intérieur et à l'extérieur (au moins à la même fréquence que pour l'entretien des filtres à graisse). Pour le nettoyage, utiliser un chiffon humidifié avec un détergent liquide neutre. Ne pas utiliser de produit contenant des abrasifs.

NE PAS UTILISER D'ALCOOL!

### ⚠ ATTENTION

Il y a risque d'incendie si vous ne respectez pas les instructions concernant le nettoyage de l'appareil et le remplacement ou le nettoyage du filtre.

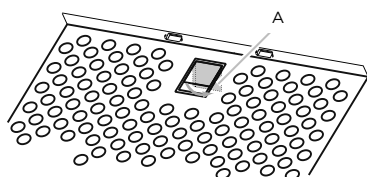
La responsabilité du constructeur ne peut en aucun cas être engagée dans le cas d'un endommagement du moteur ou d'incendie liés à un entretien négligé ou au non respect des consignes de sécurité précédemment mentionnées.

### Filtre à graisse

Il retient les particules de graisse issues de la cuisson. Le filtre doit être nettoyé une fois par mois avec des détergents non agressifs, à la main ou dans le lave-vaisselle à faibles températures et cycle rapide.

Le lavage du filtre anti-graisse métallique au lave-vaisselle peut en provoquer la décoloration. Toutefois, les caractéristiques de filtrage ne seront en aucun cas modifiées.

Pour démonter le filtre anti-graisse, tirer la poignée de décrochement à ressort.



A. Poignée à ressort

### Remplacement de la lampe à DEL

Les lumières DEL sont remplaçables par un technicien de service seulement. Voir les informations de contact de service: "Qui contacter".

## Filtres à charbon

Si le système n'a pas d'évacuation vers l'extérieur, l'air va circuler à travers des filtres à charbon jetables qui vont aider à éliminer fumée et odeurs.

Les filtres à charbon ne doivent pas être nettoyés.

Ils doivent être remplacés. Les filtres à charbon sont fixés à l'intérieur de chaque filtre anti-graisse ( les instructions de montage sont incluses dans le kit de filtre à charbon ).

Les filtres à charbon doivent être remplacés après 4 à 6 mois en fonction de l'utilisation de la hotte.

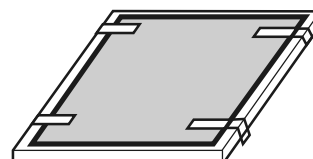
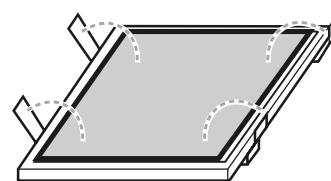
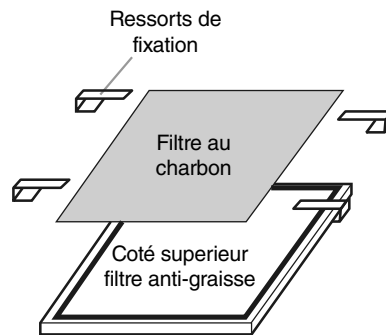
**REMARQUE:** NE PAS rincer, ou mettre les filtres à charbon au lave-vaisselle.

**REMARQUE:** Les filtres à charbon NE sont PAS inclus dans la hotte. Ils doivent être commandés chez votre revendeur. Commander le kit nécessaire en spécifiant votre modèle de hotte et sa largeur.

### Placement du filtre au charbon (Accessoires de recyclage d'air)

Placer le matelas du filtre au charbon sur le côté supérieur de chaque filtre anti-graisse. Utiliser les ressorts fournis pour le fixer en place.

**REMARQUE:** Lorsque vous le retirerez pour le remplacer par un autre, n'enlever pas les ressorts de fixation, poussez-les simplement et faites-les tourner vers l'extérieur.



Vous éprouvez des difficultés à assembler  
ce produit? parties manquantes?

**NE PAS RETOURNER AU MAGASIN!**

*Call Service Power*

**1-888-732-8018**

7 a.m. - 4 p.m. (heure du Pacifique), Lundi - Vendredi

ou écrire à: [elica@servicepower.com](mailto:elica@servicepower.com)

(inclure le nom de contact, modèle, Numéro de série, billet d'achat et le meilleur moment de vous contacter)

**pour toutes les pièces de rechange et des  
questions que vous pourriez avoir sur ce produit!**

**SERVICE***Power*  
Service Made Simple

1503 South Coast Drive #320 Costa Mesa, CA 92626

**IMPORTANT: Enregistrer l'emballage d'origine si le retour est nécessaire.**

# GARANTIE

**POUR OBTENIR UN DEPANNAGE SOUS GARANTIE:  
ou des questions concernant les services, composez le:  
1-888-732-8018**

Agrafez votre reçu ici.  
Preuve de la date d'achat originale est  
nécessaire pour obtenir le service sous  
garantie.

**POUR OBTENIR UN DEPANNAGE SOUS GARANTIE: Le propriétaire doit présenter une preuve de la date d'achat. Garder une copie de votre preuve d'achat datée (ticket de caisse) de façon à pouvoir bénéficier du service après-vente sous garantie.**

## **Garantie pieces de rechange et main d'oeuvre:**

Pour la période d'un an à compter de la date de l'achat d'origine, nous vous fournirons gratuitement, des pièces ou des composants qui ont échoué en raison de défauts de fabrication non consommables. Au cours de cette garantie limitée d'un an, nous allons également fournir, gratuitement, tout le travail et le service à domicile pour remplacer la pièce défectueuse.

Pendant une période de un (1) ans à partir de la date d'achat, nous fournirons gratuitement les pièces de rechange ou les composants autres que les recharges ayant des défauts de fabrication.

Durant cette garantie de un (1) ans, nous vous fournirons également gratuitement, toute la main d'oeuvre et le service à domicile pour remplacer d'éventuelles pièces défectueuses.

## **Ce que la garantie ne couvre pas:**

- Dégât ou panne du produit causé par un accident ou un cas de force majeure tels que inondation, incendie ou tremblement de terre.
- Les dommages causés après l'accouchement.
- Dégât ou panne du produit causé par un remplacement des fusibles ou une remise en fonction des disjoncteurs par le propriétaire.
- Déplacement à domicile pour explication d'utilisation ou d'entretien.
- Ampoules, filtres métalliques ou au charbon et toute autre pièce consommable.
- Usure due à une mauvaise utilisation du propriétaire, un entretien incorrect, une utilisation de substances nettoyantes corrosives ou abrasives et produits de nettoyage pour four.

## **Cette garantie sera annulée lorsque:**

- Produit endommagé suite à une mauvaise installation et le non-respect des instructions d'installation, la livraison ou l'entretien.
- Dommage direct ou indirect causé par des défauts possibles avec cet appareil.
- Altération ou modification du produit qui peut causer des dommages au produit, ou le défaut de fonctionner conformément aux spécifications.
- Dommages à cause de mauvaise connexion avec des équipements d'autres fabricants.
- Une panne du produit si elle est la négligence, abusé, ou utilisé pour autre chose que le but recherché ou utilisé commercialement.
- Une mauvaise réparation, la modification ou l'entretien du Produit par des tiers autres que les Mandataires Autorisés.

## **Qui est Couvert:**

Cette garantie s'étend à l'acheteur original de produits achetés pour un usage domestique habituel en le 48 États Américains, Hawaii, Washington D.C. Alaska, Guam, Puerto Rico and et Virgin Islands.

Cette garantie n'est pas transférable et vaut uniquement pour l'acheteur original et ne s'étend pas aux propriétaires successifs du produit. Cette garantie vaut expressément en lieu et place de toute autre garantie, expresse ou sous-entendue, mais ne limite pas toute autre garantie sous-entendue de marchandage ou adaptation dans un but particulier et toute autre obligation de la part de Elicamex, étant entendu, cependant, que si la réclamation pour garanties sous-entendues n'est pas applicable aux yeux de la loi en vigueur, la durée de toute garantie sous-entendue émanant de la loi doit être limitée à un (1) ans à partir de la date d'achat du produit ou à une période plus longue selon ce que dit la loi en vigueur.

## **Qui Contacter**

Pour obtenir un Service Après-vente durant la Garantie ou pour toute autre Question liée au Service Après-vente, visitez la section de support sur le site ci-dessous:

[www.elica.com](http://www.elica.com)

Demandez à votre preuve de la date d'achat, prêt pour les questions de garantie.

---

# Tabla de Contenidos

Tools and Parts	25
Dimensions and Clearances	26
Electrical Requirements	26
Ducting Options	27
Installation instructions	28
Install Range Hood	28
Electrical Connection	29
Complete Installation	30
Description of the Hood	30
Control	30
Range Hood Care	31
<b>GARANTÍA</b>	<b>33</b>

**APROBADO PARA APARATOS DE USO DOMÉSTICO  
SÓLO PARA USO DOMÉSTICO**

**LEA Y GUARDE ESTAS INSTRUCCIONES**

**ANTES DE CONTINUAR, LEA LAS INSTRUCCIONES POR  
COMPLETO.**

**LA INSTALACIÓN DEBE CUMPLIR CON TODA LA  
NORMATIVA LOCAL.**

**IMPORTANTE:** Guarde estas instrucciones para su uso por parte del inspector de electricidad local.

**INSTALADOR:** Entregue al propietario estas instrucciones con la unidad.

**PROPIETARIO:** Conserve estas instrucciones para futuras consultas.

**Advertencia de Seguridad:** Antes de realizar el cableado de este aparato, desactive el circuito de energía eléctrica en el panel de servicio y desbloquee el panel.

Requisito: Circuito Auxiliar de R120 VAC, 60 Hz. 15 ó 20 A

# INSTRUCCIONES IMPORTANTES DE SEGURIDAD

**ADVERTENCIA:** PARA REDUCIR EL RIESGO DE INCENDIOS, CHOQUE ELÉCTRICO O LESIONES A PERSONAS, OBSERVE LO SIGUIENTE:

- Use esta unidad sólo de la manera para la que fue diseñada por el fabricante. Si tiene preguntas, póngase en contacto con el fabricante.
- Antes de dar servicio o limpiar la unidad, apague el suministro de energía en el panel de servicio y bloquee los medios de desconexión del servicio para evitar que se encienda accidentalmente el suministro de energía. Cuando el medio de desconexión del servicio no se pueda bloquear, sujete de manera segura un dispositivo de advertencia prominente, como podría ser una etiqueta, al panel de servicio.
- La instalación y el cableado se debe llevar a cabo por una persona(s) calificada(s), de acuerdo con los códigos y estándares aplicables, incluida la construcción ignífuga.
- Es necesaria una ventilación suficiente para la correcta combustión y expulsión de gases por la salida de humos (chimenea) del equipo de combustión de carburante para evitar el contratiro. Siga las directrices de fabricantes de equipos de calefacción y los estándares de seguridad como los publicados por la National Fire Protection Association (NFPA), American Society for Heating, Refrigeration and Air Conditioning Engineers (ASHRAE) y las normativas locales.
- Al efectuar orificios en una pared o techo, no dañe el cableado eléctrico y otras instalaciones ocultas.
- Los conductos deben tener ventilación con salida al exterior.

**CUIDADO:** Para usarse sólo en ventilación común. No lo use para ventilar materiales y vapores peligrosos o explosivos.

**CUIDADO:** Para reducir el riesgo de incendio y para ventilar el aire adecuadamente, asegúrese de dirigir el conducto de ventilación hacia el exterior - no ventile el aire de salida a espacios dentro de paredes o techos, áticos, espacios angostos o garajes.

**ADVERTENCIA:** PARA REDUCIR EL RIESGO DE INCENDIO, SÓLO USE CONDUCTOS METÁLICOS.

**ADVERTENCIA:** No accione ningún motor o ventilador con el cable de conexión dañado. Deseche o regrese el dispositivo al servicio autorizado para ser examinado o reparado.

**ADVERTENCIA:** PARA REDUCIR EL RIESGO DE INCENDIO PROVOCADO POR GRASA EN LA SUPERFICIE DE LA ESTUFA:

- Nunca deje las unidades de superficie sin vigilancia cuando estén en ajustes altos. La cocción puede causar humo o reboses de grasa que pueden prender fuego. Caliente el aceite a fuego lento o medio.
- Siempre ENCIENDA la campana cuando cocine con calor alto o cuando flamee alimentos (por ejemplo, crepes Suzette, cerezas Jubileo y flameado de carne de res con pimienta).
- Limpie los ventiladores con frecuencia. No permita que la grasa se acumule en el ventilador o en el filtro.
- Use un tamaño de sartén adecuado. Siempre use utensilios de cocción que sean los adecuados para el tamaño del elemento de la superficie.

**ADVERTENCIA:** PARA REDUCIR EL RIESGO DE LESIONES A PERSONAS SI SE PRENDE FUEGO EN LA SUPERFICIE DE LA ESTUFA OCASIONADO POR GRASA, OBSERVE LO SIGUIENTE:<sup>a</sup>

- EXTINGA LAS LLAMAS con una tapa que encaje bien, una bandeja para galletas o una bandeja metálica y luego apague el quemador. TENGA CUIDADO PARA EVITAR QUEMADURAS. Si las llamas no se extinguen de inmediato, EVACUE Y LLAME AL DEPARTAMENTO DE BOMBEROS.
- NUNCA TOME UNA CACEROLA QUE ESTÉ ARDIENDO - podría quemarse.
- NO UTILICE AGUA, incluyendo paños para vajilla o toallas mojadas - podría ocurrir una explosión de vapor violenta.
- SÓLO use un extinguidor si:
  - Sabe a ciencia cierta que tiene un extinguidor de clase ABC y ya sabe cómo utilizarlo.
  - El incendio es pequeño y se encuentra contenido en el lugar en donde se inició.
  - Ha llamado al departamento de bomberos.
  - Puede apagar el fuego con su espalda mirando hacia una salida.

<sup>a</sup>Basado en "Consejos de seguridad para fuegos de cocina" publicado por NFPA.

**ADVERTENCIA:** A fin de reducir el riesgo de incendio o de choque eléctrico, no use este ventilador con ningún dispositivo semiconductor para el control de la velocidad.

## LEA Y GUARDE ESTAS INSTRUCCIONES



# Herramientas y partes

## Partes proveídas

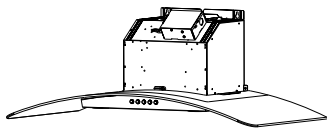



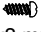

### Removiendo el empaque

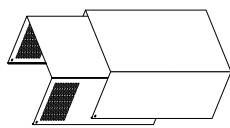
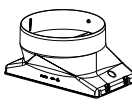
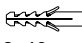
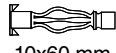


#### ⚠ PRECAUCIÓN

Quite la caja cuidadosamente, use guantes para protegerse contra los bordes afilados.

#### ⚠ ADVERTENCIA

Quite la película de protección que cubre el producto antes de ponerlo en funcionamiento.

Pieza	Cant.
 <p>Campana y lámparas LED previamente instaladas</p>	1
 <p>5x45 mm</p>	6
 <p>5.4x75 mm</p>	4
 <p>3.5x9.5 mm</p>	2
 <p>4x8 mm</p>	4
 <p>Adaptador Torx T10</p>	1

Pieza	Cant.
 <p>Cubiertas del conducto</p>	2
 <p>Transición redonda de 6"</p>	1
 <p>8x40 mm</p>	2
 <p>10x60 mm</p>	4
 <p>Soporte de cubiertas de ducto</p>	1
 <p>Plantilla de montaje</p>	1

## Partes no proveídas

### Herramientas/Materiales requeridos

- Nivel
- Taladro
- Brocas de 1 1/4" (3,2 cm), 1/8" (3,2 mm) y 1/16" (4,8 mm)
- Lápiz
- Pelacables o cuchillo de uso general
- Cinta métrica o regla
- Alicates
- Pistola de calafateo y compuesto de calafateo resistente a la intemperie
- Sierra de calar o de cerradura
- Tijeras para metales
- Destornilladores:
  - Plano
  - Phillips

### Piezas necesarias

- Cable de alimentación doméstico
- Alivio de tensión de 1/2" (12,7 mm) aprobado por UL o CSA
- 3 conectores de cable homologados por UL

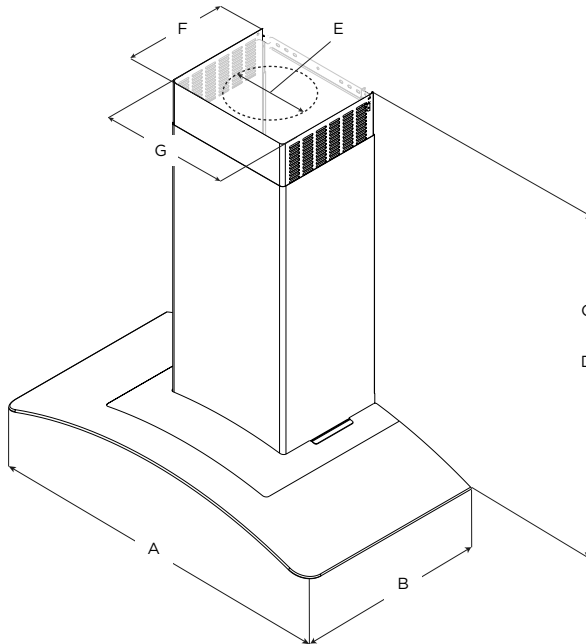
### Para las instalaciones con ventilación, también necesitará

- 1 tapa de pared o de techo
- Sistema de ventilación metálico

## Accesorios opcionales

KIT	# Parte
Kit recirculante	KIT0102875
Kit de extensión de chimenea	KIT01609/1
Kit de válvula antiretorno	KIT0102873
Kit de reducción de CFM	KIT02748

## Dimensiones del producto



	Modelos	
	ADK430SSB	ADK436SSB
A	30" (76.2 cm)	36" (91.4 cm)
B	19 <sup>11</sup> / <sub>16</sub> " (50 cm)	
C*	Max: 36 <sup>5</sup> / <sub>8</sub> " (93 cm) Min: 24" (61 cm)	
D**	Max: 32 <sup>13</sup> / <sub>16</sub> " (83.3 cm) Min: 20 <sup>3</sup> / <sub>8</sub> " (51.7 cm)	
E	6" (15.24 cm)	
F	10 <sup>3</sup> / <sub>4</sub> " (27.3 cm)	
G	13 <sup>1</sup> / <sub>32</sub> " (33.2 cm)	

\*Solamente en la versión sin tubos (Recirculación)

\*\*Solamente en la versión con tubo

## Requisitos eléctricos

Cumpla todas las normativas y ordenanzas gubernamentales.

Es responsabilidad del cliente:

- Ponerse en contacto con un instalador eléctrico cualificado.
- Asegurarse de que la instalación eléctrica es adecuada y en conformidad con National Electrical Code, ANSI/NFPA 70 (última edición\*) o CSA Standards C22.1-94, Canadian Electrical Code, Parte 1 y C22.2 No.0-M91 (última edición\*) y toda la normativa y las ordenanzas locales.
- Si la normativa lo permite y se utiliza un cable de toma a tierra independiente, se recomienda que un electricista cualificado determine si la difracción de onda de tierra es la adecuada.
- No ubique la toma a tierra en una tubería de gas.
- Si no está seguro de que la campana está correctamente conectada a tierra, consulte a un electricista cualificado.
- No coloque ningún fusible en el circuito neutral o con vuelta por tierra.

### IMPORTANTE

- Guarde las instrucciones de instalación para su uso por parte del inspector de electricidad.
- La campana debe estar conectada únicamente con hilo de cobre.
- La campana debe estar conectada directamente al desconector con fusible (o disyuntor) mediante canal metálico de cables eléctricos.
- Los tamaños de cable deben cumplir los requisitos de la National Electrical Code, ANSI/NFPA 70 (última edición\*) o CSA Standards C22.1-94, Canadian Electrical Code, Parte 1 y C22.2 No.0-M91 (última edición\*) y toda la normativa y las ordenanzas locales.
- Es preciso colocar un conector de canal de cables enumerado en U.L. o C.S.A. en cada extremo del canal de cables de fuente de alimentación (en la campana y en la caja de conexiones).

Se pueden obtener copias de los estándares enumerados en:

\* National Fire Protection Association Batterymarch Park Quincy, Massachusetts 02269

\*\* CSA International 8501 East Pleasant Valley Road Cleveland, Ohio 44131-5575

### ANTES DE INSTALAR LA CAMPANA

1. Para obtener una circulación del flujo de aire más eficaz, utilice un tubo de tramo recto o el menor número posible de tubos acodados.

PRECAUCIÓN: el conducto de ventilación solamente debe tener salida hacia la parte exterior del edificio.

2. Para realizar la instalación, se necesitan al menos dos personas.
3. La campana se ajusta mediante material adecuados para la mayoría de superficies; consulte a un instalador cualificado para comprobar si quedan perfectamente ajustados al armario o a la pared.
4. No emplee tubos flexibles.
5. Las instalaciones en CONDICIONES CLIMÁTICAS FRÍAS deben tener instalado un regulador de contratiro adicional para minimizar el flujo de aire inverso y una rotura térmica no metálica para minimizar la conducción de temperaturas externas como parte de los tubos. El regulador debe de encontrarse en la parte de aire frío de la rotura térmica.

La rotura debe estar lo más cerca posible al lugar donde los tubos entran en la parte caliente de la casa.

6. Aire limpio: Las normativas locales para edificios pueden requerir el uso de sistemas de aire limpio cuando se utilizan sistemas de ventilación mediante tubos superiores al CFM especificado de movimiento de aire.

El CFM especificado varía de una zona a otra. Para conocer los requisitos específicos de su zona, consulte a un profesional de HVAC.

## Métodos de ventilación

### Kit de reducción CFM

Si es necesario o deseado, esta campana debe usarse solo junto con el kit de reducción de CFM modelo KIT02748.

Consulte a su profesional de HVAC y los códigos de construcción locales para conocer los requisitos específicos en su área.

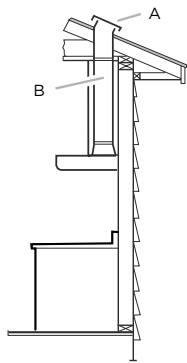
Siga detenidamente las instrucciones expuestas en este manual.

Se declina toda responsabilidad de cualquier inconveniencia, daños o incendios eventuales ocasionados por el incumplimiento de las instrucciones de este manual.

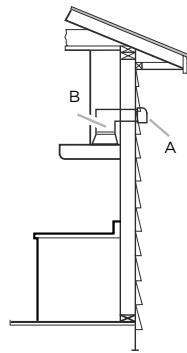
### Versión con salida al exterior

La campana está equipada con una transición redonda de 6" (15.2 cm) para descargar gases y vapor procedentes de la cocina al exterior.

Ventilación a través de techo



Ventilación a través de pared



A. Cubierta del techo  
B. Ducto de escape redondo de 6" (15.2 cm)

A. Cubierta de la pared  
B. Ducto de escape redondo de 6" (15.2 cm)

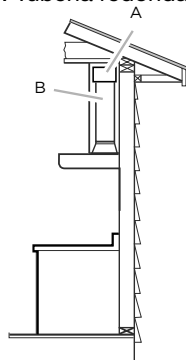
### Versión sin salida al exterior (recirculante)

En caso de que no sea posible la descarga de gases y del vapor procedentes de la cocina al exterior, la campana se puede utilizar en la versión sin tubos (Recirculación).

Coloque un filtro de carbono activado y el deflector en el soporte de sujeción de la cubierta de tubo. Los gases y vapores se reciclan a través de la rejilla superior mediante un conducto conectado al cambio de sección y el cambio de sección montado en el deflector.

Únicamente para esta versión: adquiera el Kit Recirculante.

Tamaño mínimo del ducto: Tubería redonda de 6" (15.2 cm).



A. Deflector  
B. 6" (15.2 cm) round vent

### Preparación

No corte una vigueta o un perno a menos que sea absolutamente necesario. Si fuera necesario efectuar el corte, deberá construirse un marco de soporte.

Se suministra el material de ajuste necesario para fijar la campana a la mayoría de tipos de muro o techo.

No obstante, un técnico cualificado debe comprobar la idoneidad de los materiales de acuerdo con el tipo de muro o techo.

Antes de efectuar algún corte, asegúrese de que existe el espacio libre adecuado en el techo o muro para la expulsión del aire.

### Altura de instalación recomendada:

La altura de instalación de la campana sobre la placa de cocción es la que prefiera el usuario.

Cuanto más baja esté la campana por encima de la placa de cocción, más eficiente será la captura de los olores de la cocina, la grasa y el humo.

### ⚠ PRECAUCIÓN

Para la instalación de estufas de gas: instale esta campana de tal manera que la cornisa inferior se encuentre a 30" (76.2 cm) sobre la superficie de cocción.

Para la instalación de estufas eléctricas/inducción: instale esta campana de tal manera que la cornisa inferior se encuentre a no menos de 24" (61 cm) sobre la superficie de cocción.

No hay una altura máxima de instalación, sin embargo, se recomienda no instalar esta campana a más de 36" (91.4 cm) sobre la superficie de cocción. Por cada pulgada (2.54 cm) superior a 36" (91.4 cm), disminuirá la eficiencia en la captura de humo y humedad, así como el desempeño de ventilación.

Para uso doméstico.

**POR FAVOR, LEA EL MANUAL DE INSTALACIÓN PARA UNA INSTALACIÓN ESPECÍFICA.** Antes de seleccionar la campana, compruebe la altura del techo y la altura máxima de la campana.

# Instrucciones de instalación

## Prepare ubicación

- Se recomienda que el sistema de ventilación sea instalado antes de que se instale la campana.
  - Antes de hacer los recortes, asegúrese que haya suficiente espacio libre dentro del techo o la pared para el ducto de escape.
  - Revise la altura de su techo y la altura máxima de la campana antes de seleccionarla.
1. Desconecte el suministro de energía.
  2. Decida qué método de ventilación usar: a través del techo, de la pared o sin ducto.
  3. Seleccione una superficie plana para ensamblar la campana para cocina. Cubra dicha superficie.

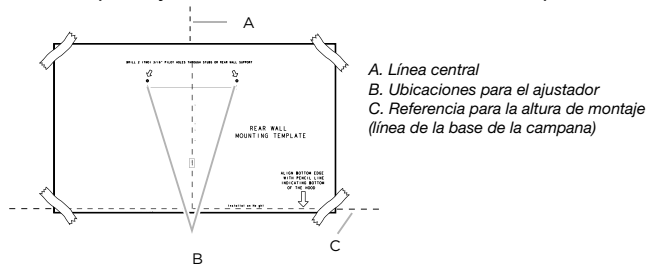
## ⚠ ADVERTENCIA

PARA REDUCIR RIESGO DE INCENDIO, CHOQUE ELÉCTRICO O LESIONES A PERSONAS, OBSERVE LO SIGUIENTE:

4. Con la ayuda de 2 ó más personas, levante la campana de cocina y colóquela en la superficie cubierta.

## Instalación de los tornillos de montaje de la campana

1. Determine y marque la línea central en la pared en donde se instalará la campana con escudete. Desconecte el suministro de energía.
2. Seleccione una altura de montaje entre un mínimo de 24 "(61 cm) para una superficie de cocción eléctrica, un mínimo de 30" (76,2 cm) para una superficie de cocción a gas y un máximo sugerido de 36" (91,4 cm) por encima de la estufa para la parte inferior de la campana. Marque una línea de referencia en la pared.
3. Pegue la plantilla en su lugar, alineando la línea central de la plantilla y la parte inferior de la plantilla con la línea inferior de la campana y con la línea central marcada en la pared.

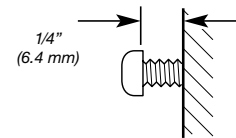


A. Línea central  
B. Ubicaciones para el ajustador  
C. Referencia para la altura de montaje (línea de la base de la campana)

4. Marque los centros de las ubicaciones de los ajustadores a través de la plantilla en la pared.

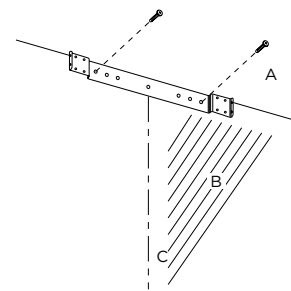
**IMPORTANTE:** Todos los tornillos de montaje de la campana deben instalarse en madera donde sea posible. Si no hay madera para instalar tornillos, es posible que se requieran soportes de marco de madera adicionales.

5. Retire la plantilla.
6. Taladre orificios piloto de 3/16" (4.8 mm) en todas las ubicaciones donde se vayan a instalar los tornillos en madera.
7. Instale los 2 tornillos de montaje de 5 x 45 mm. Deje un espacio de 1/4" (6.4 mm) entre la pared y la parte posterior de la cabeza del tornillo para deslizar la campana de cocina en su lugar.



## Instalación del soporte de la cubierta del ducto

1. Sujete el soporte de la cubierta del ducto a la pared alineado con el techo usando 2 tornillos de 5 x 45 mm.



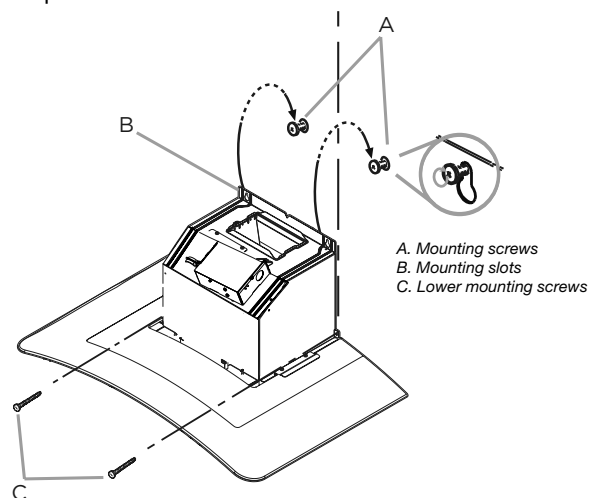
A. Techo  
B. Pared  
C. Línea central

## Complete la operación

1. Determine y haga todos los cortes necesarios en la pared para el sistema de ventilación. Instale el sistema de ventilación antes de instalar la campana. Vea la sección "Requisitos de ventilación".
2. Determine la altura necesaria para el cable de suministro eléctrico de la casa y taladre un orificio de 1/4" (3.2 cm) en esa ubicación.
3. Haga pasar el cable de suministro de energía de la casa según las normas del National Electrical Code (Código Nacional Eléctrico) o CSA (Asociación de Normalización Canadiense) y los códigos y ordenanzas locales. Debe haber suficiente conducto de 1/2" y alambres de la caja de desconexión con fusible (o cortacircuitos) para hacer la conexión en la caja eléctrica de terminales de la campana.
4. NOTA: No restablezca la electricidad hasta que se complete la instalación.
5. Use masilla de calafateo para sellar todas las aberturas.

## Instalación de la campana

1. Con la ayuda de dos ó más personas, cuelgue la campana para cocina sobre 2 tornillos de montaje a través de las ranuras de montaje que están sobre la parte posterior de la campana.



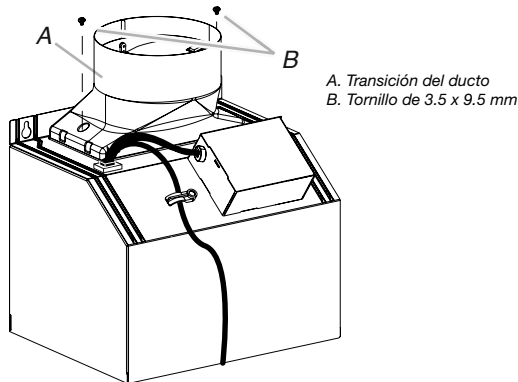
A. Mounting screws  
B. Mounting slots  
C. Lower mounting screws

2. Señale con un lápiz las ubicaciones de los agujeros inferiores.

- Desinstale el ensamblaje de la campana y taladre orificios piloto de 3/16" (4.8 mm) en las ubicaciones marcadas.
- Coloque de nuevo la campana de cocina en 2 tornillos de montaje superiores.
- Nivele la campana para cocina y apriete los tornillos de montaje superiores.
- Instale 2 tornillos de montaje inferiores de 5 x 45 mm y apriételos. Use los taquetes de pared optativos si es necesario.

### Conexión del sistema de ventilación

- Instale la pieza de transición encima de la campana (si se ha quitado para el envío) con 2 tornillos para lámina metálica de 3.5 x 9.5 mm.



## Conexión eléctrica

### ⚠ ADVERTENCIA

PELIGRO DE CHOQUE ELÉCTRICO.

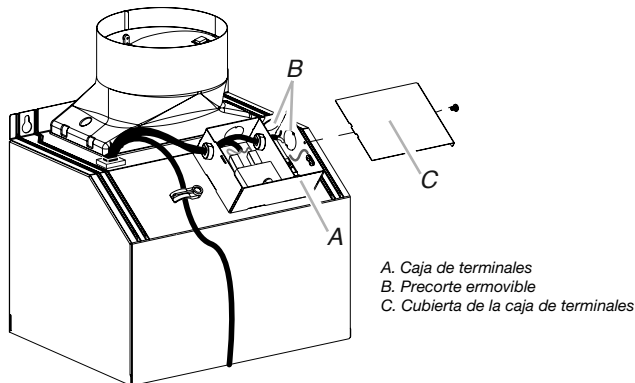
### ⚠ ADVERTENCIA

DESCONECTE EL SUMINISTRO DE ENERGÍA ANTES DE DARLE MANTENIMIENTO.

VUELVA A COLOCAR TODOS LOS COMPONENTES Y PANELES ANTES DE HACERLO FUNCIONAR.

NO SEGUIR ESTAS INSTRUCCIONES PUEDE OCASIONAR LA MUERTE O CHOQUE ELÉCTRICO.

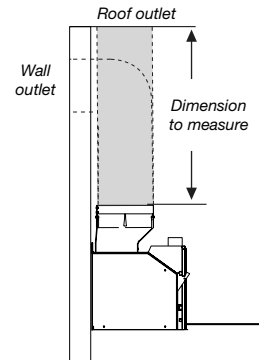
- Desconecte el suministro de energía.
- Retire la caja de terminales.
- Quite el precorte removible que está en la caja de terminales e instale un protector de cables de 1/2" que esté en la lista de UL o esté aprobado por CSA.



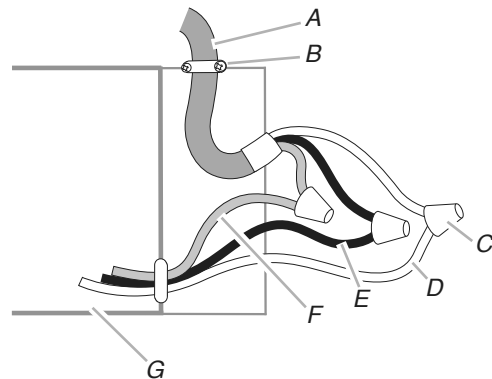
- Haga pasar el cableado de suministro de energía doméstico a través del protector de cables, dentro de la caja de terminales.

### For vented installations only:

- Fit vent system over the exhaust outlet.
- Measure from the bottom of the air deflector to the bottom of the hood outlet. Cut the ductwork at the measured dimension.



- Seal connection with clamps.
- Check that back draft dampers work properly.



- Use conectores de alambres que estén en la lista de UL y conecte los alambres negros (C) juntos.
- Use conectores de alambres que estén en la lista de UL y conecte los alambres blancos (E) juntos.

### ⚠ ADVERTENCIA

CONECTE EL MOTOR A TIERRA ELÉCTRICAMENTE.

CONECTE EL CABLE DE TIERRA AL CABLE DE TIERRA VERDE Y AMARILLO EN LA CAJA DE CONEXIONES. EL NO HACERLO PUEDE CAUSAR LA MUERTE O UNA DESCARGA ELÉCTRICA.

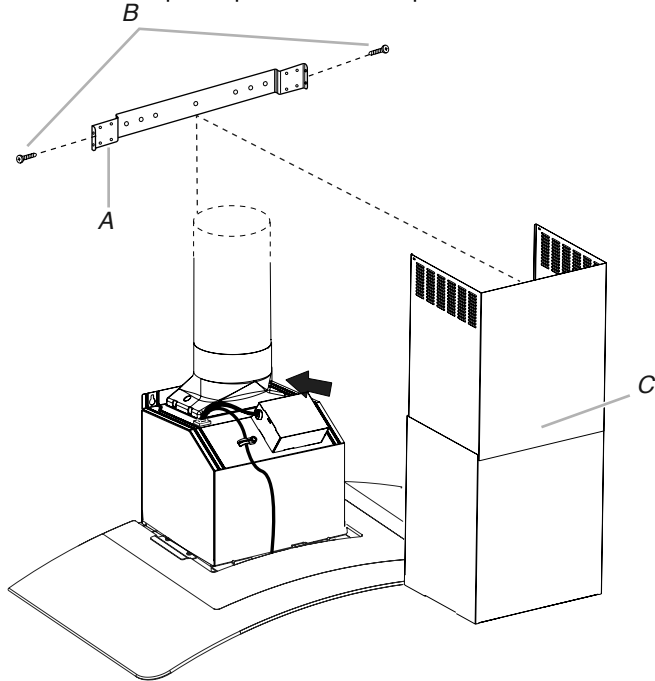
- Conecte el cable de tierra verde (o desnudo) de la fuente de alimentación de la casa al cable de tierra amarillo y verde (F) en la caja de conexiones utilizando conectores de cable homologados por UL.
- Apriete el tornillo de alivio de tensión.
- Instale la tapa de la caja de conexiones.
- Vuelva a conectar la alimentación.

# Complete la instalación

## Instalación de cubiertas de ducto

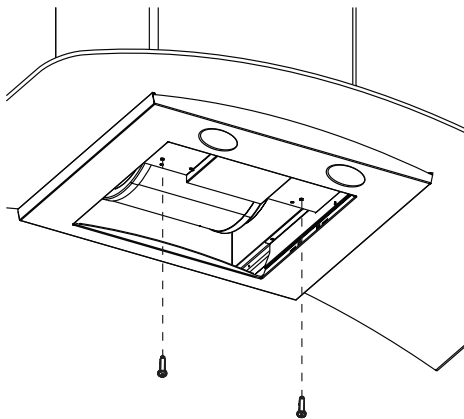
- Si se utilizan las cubiertas de ventilación superior e inferior, empuje la cubierta inferior hacia abajo en la campana y levante la cubierta superior hacia el techo e instálela con dos tornillos de montaje.

**NOTA:** Para las instalaciones con ventilación, la cubierta de ventilación superior puede invertirse para ocultar las ranuras.



A. Soporte  
B. Tornillos de 4 x 8 mm  
C. Tapas de ventilación

- Fije la parte inferior del conducto con 2 tornillos de 4 x 8 mm.

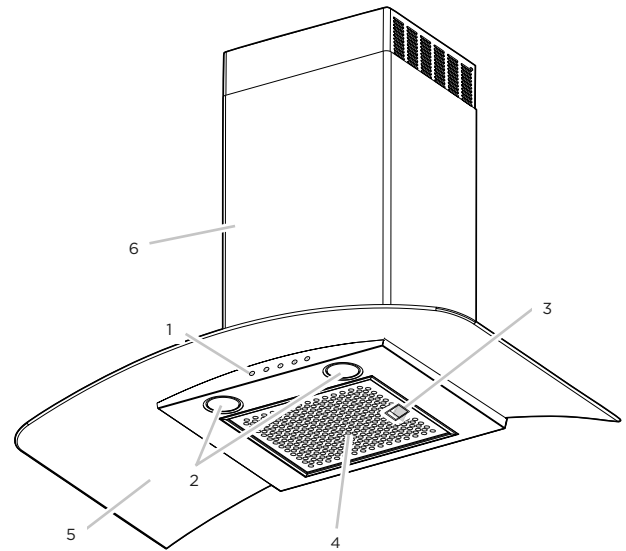


- Solamente para las instalaciones sin ventilación (con recirculación), instale los filtros de carbón sobre el filtro de metal para grasa. Consulte la sección "Mantenimiento".
- Instale los filtros de metal. Consulte la sección "Mantenimiento".

Para obtener un uso más eficaz de su nueva campana de cocina, lea la sección "Mantenimiento".

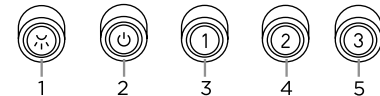
Para disponer de una referencia sencilla, siga la Guía de instalación, uso y mantenimiento.

# Descripción de la campana



1. Panel de control  
2. Lámparas LED  
3. Manija de filtro de grasa  
4. Filtro para grasa  
5. Vidrio de la campana  
6. Cubiertas del conducto

## Control



1. Botón de encendido/apagado de la luz  
2. Botón de encendido/apagado del motor  
3. Botón de velocidad mínima del motor  
4. Botón de velocidad media del motor  
5. Botón de velocidad máxima del motor

**NOTA:** Los botones de control se iluminan cuando la campana extractora está encendida.

### Funcionamiento de la luz

El botón de encendido/apagado de la luz (1) controla ambas luces. Pulse una vez para encenderla y otra para apagarla.

### Funcionamiento del motor

El botón de Encendido/Apagado del soplador (2) enciende o apaga el soplador.

Los botones de velocidad del motor (3, 4 y 5) ajustan la velocidad deseada y controlan el nivel de sonido para un funcionamiento silencioso. La velocidad puede cambiarse en cualquier momento durante el funcionamiento del ventilador pulsando el botón de velocidad del motor deseado.

1. Para encender el motor, pulse el botón de encendido/apagado del ventilador (2) y el botón de velocidad deseado (3, 4 o 5).
2. Para apagar el motor, pulse el botón de encendido/apagado del ventilador (2).

Cualquiera de los 3 botones de velocidad del motor puede estar en la posición de encendido al mismo tiempo. El motor funcionará a la velocidad más alta que se haya pulsado. Para velocidades más bajas del motor, los botones de velocidad más altos no deben ser presionados.

# Mantenimiento

## Limpieza

No aplique limpiadores directamente al control durante la limpieza de la campana.

La campana debe ser limpiada con frecuencia tanto externamente como internamente (con la misma frecuencia con la que se realiza el mantenimiento de los filtros de grasa). Para la limpieza, utilice un paño impregnado de detergente líquido neutro. No utilice productos que contengan abrasivos.

¡NO UTILICE ALCOHOL!

### ⚠️ ADVERTENCIA

De no observarse las instrucciones dadas para limpiar el aparato y sustituir el filtro, puede producirse un incendio.

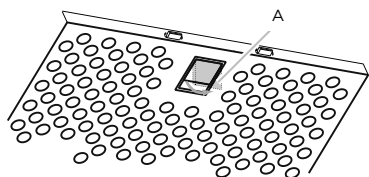
El fabricante recomienda leerlas y respetarlas atentamente.

El fabricante no se hace responsable por los daños al motor o los incendios provocados en el aparato debido a intervenciones de mantenimiento incorrectas o al incumplimiento de las normas de seguridad proporcionadas.

## Filtro contra la Grasa

Retiene las partículas de grasa producidas cuando se cocina. Debe limpiarse una vez al mes con detergentes no agresivos, manualmente o bien en lavavajillas a bajas temperaturas y con ciclo breve. Con el lavado en el lavavajilla el filtro antigrasa metálico puede desteñirse pero sus características de filtrado no cambian absolutamente.

Para desmontar el filtro antigrasa, tirar de la manija de desenganche de muelle.



A. Manija de desenganche

## Reemplazo de las lámparas LED

Las luces LED son reemplazables sólo por un técnico de servicio. Vea la sección "A quién contactar" para la información de contacto del servicio.

## Filtro de carbón

Si el modelo no puede expulsar el aire al exterior, el aire deberá ser filtrado a través de filtros de carbón desechables que ayudan a remover el humos y los olores. Los filtros de carbón no son lavables. Deben ser reemplazados.

Los filtros de carbón se montan sobre los filtros de grasa de su campana. Deben ser reemplazados cada 4-6 meses (dependiendo del uso de la campana).

**NOTA:** No enjuagar ni colocar los filtros de carbón en lavavajillas.

**NOTA:** Los filtros de carbón no están incluidos en su campana. Deben ser solicitados a su proveedor.

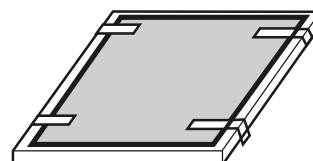
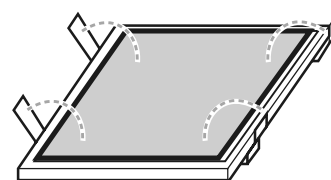
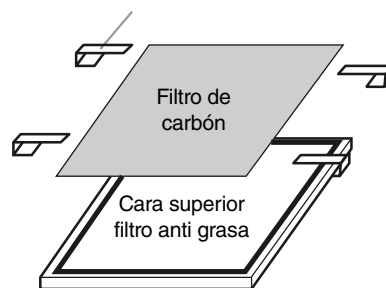
### Colocación del filtro de carbón (Accesorios Recirculación)

- Posicione el filtro de carbón sobre la parte superior de cada filtro de grasa.

- Use los seguros para ajustarlo en su lugar.

**NOTA:** Cuando se quita para sustituirlo por uno nuevo no quite los seguros, simplemente extraiga uno y rotar hacia fuera.

Clip de fijación



¿Tiene problemas con el montaje de su producto? ¿Faltan piezas?

**¡NO LO REGRESE A LA TIENDA!**

*Call Service Power*

**1-888-732-8018**

entre las 7 a.m. y las 4 p.m. (Horario del Pacífico), Lunes - Viernes

o escriba a: [elica@servicepower.com](mailto:elica@servicepower.com)

(incluya un nombre de contacto, modelo, número serial, ticket de compra y la hora en la que preferiría que se le contacte)

**¡para todas las piezas de reemplazo y cualquier duda que tenga acerca de este producto!**

**SERVICE***Power*  
Service Made Simple

1503 South Coast Drive #320 Costa Mesa, CA 92626

**IMPORTANTE: Guarde el empaque original en caso de que sea necesario el retorno del producto.**



# GARANTÍA

OBTENER SERVICIOS BAJO GARANTÍA:  
O cualquier Pregunta Relacionada con los  
Servicios, por favor, llame: 1-888-732-8018

Engrape su recibo aquí.  
Como demostración de la adquisición, es  
necesaria la fecha, para cualquier servicio  
bajo garantía.

**OBTENER SERVICIOS BAJO GARANTÍA: Usted debe presentar una prueba de la fecha original de adquisición. Conserve una copia de su nota de compras con fecha, para obtener servicios bajo garantía.**

## Garantía de componentes y servicio:

Por un periodo de un año desde la fecha original de compra, ofreceremos sin costo alguno, el reemplazo de piezas no consumibles o componentes que han fallado debido a defectos de fabricación. Durante este año de garantía limitada, también ofreceremos sin costo alguno, la mano de obra y el servicio en su domicilio para reemplazar la parte defectuosa.

## Lo que no cubre:

- Daños a la campana ocasionados por inundaciones, actos de Dios, fuego y accidentes.
- Daños causados después de la entrega.
- Reemplazo de fusibles o el reajuste de la caja de contactos del circuito eléctrico.
- Viajes de servicio a su domicilio para enseñarle a usar o instalar el producto.
- Lámparas, filtros de grasa, filtros de carbón y otras partes consumibles.
- El desgaste natural del acabado, así como el desgaste ocasionado por el mantenimiento inadecuado, el uso de productos para limpieza corrosivos y abrasivos, y otros limpiadores para hornos.

## Esta Garantía será anulada cuando:

- El producto ha sido dañado debido a una instalación inadecuada y no haber seguido las instrucciones para su instalación, traslado o mantenimiento.
- Daños Incidentales o de consecuencia causados por posibles defectos de este electrodoméstico.
- Daños por alteración o modificación, al producto que puedan causar fallas en la operación de acuerdo con las especificaciones funcionales.
- Daños debidos a conexiones inapropiadas con equipos de otros fabricantes.
- Daños al producto por ser usado con negligencia, abuso, uso indebido o utilizado para otros propósitos al cual fue fabricado, o bien uso comercial.
- Reparaciones, modificaciones o servicios inadecuados realizados al producto por agentes no autorizado

## Quién está cubierto:

Esta garantía se extiende al comprador original para productos comprados para uso doméstico en los 48 estados principales de los Estados Unidos de América, Hawaii, Washington D.C., Alaska, Guam, Puerto Rico y las Islas Vírgenes.

Esta garantía es intransferible y aplica solamente para el comprador original y no se extiende a los propietarios subsecuentes de este producto. La presente garantía sustituye expresamente cualquier otra garantía, ya sea expresa o implícita, incluyendo, sin limitar, todas las garantías implícitas de comerciabilidad o idoneidad para un fin concreto, así como todas las demás obligaciones a cargo de Elicamex. Sin embargo, en caso de que la renuncia a las garantías implícitas resultara inaplicable de acuerdo a la ley vigente, la vigencia de cualquier garantía implícita derivada de la aplicación de la ley será limitada a un periodo de 1 (un) año, contado a partir de la fecha de compraventa originaria al menudeo, o por un periodo mas amplio en caso de que éste último sea previsto por la ley aplicable.

Esta garantía no cubre ningun daño especial, fortuito y/o consecuente, ni la pérdida de beneficios, sufridos por el comprador original, de sus clientes y/o de los usuarios del producto.

## A quién contactar:

Para obtener servicio bajo la garantía o por cualquier servicio relacionado a dudas o preguntas, por favor visite la sección de soporte en la página web que se muestra a continuación:

[www.elica.com](http://www.elica.com)

Tenga su comprobante de compra con la fecha, lista para cuestiones de garantía.





