



ZLINE



# KITCHEN ACCESSORIES

---

Installation Guide  
and Users Manual



*This product can expose you to chemicals including nickel, which is known to the State of California to cause cancer, and birth defects or other reproductive harm. For more information go to [www.P65Warnings.ca.gov](http://www.P65Warnings.ca.gov).*

*Even though the materials used in all ZLINE Kitchen and Bath products conform to all federal government regulations and all national product standards, California's Prop 65 requires all businesses to provide a "clear and reasonable warning" if one or more listed chemicals may be present in the product, even if that chemical is present in trace quantities*



Professionally design your home with ZLINE's Designer Kitchen and Bath Accessories. With a wide selection of accessories available, you can perfectly customize your kitchen and bath space to your style. The ZLINE Kitchen and Bath Accessories come in our specialty Chrome, Brushed Nickel, Gun Metal, Matte Black, and Polished Gold finishes for you to expertly coordinate and complete your kitchen and bath collection. With industry-leading resistance to wear, corrosion, and tarnish, the premium finishes on our kitchen and bath accessories are designed to shine and built to last.

# TABLE OF CONTENTS

● <b>SAFETY INSTRUCTIONS</b>	<b>1</b>
Prior to Installation	
Safety Tips	
Installation Preparation	
Care and Maintenance	
● <b>POT FILLER</b>	<b>2</b>
Parts	
Dimensions	
Tools	
Assembly	
● <b>DRINK FAUCET</b>	<b>8</b>
Parts	
Dimensions	
Tools	
Assembly	
● <b>TROUBLESHOOTING</b>	<b>12</b>

# SAFETY INSTRUCTIONS

## Prior to Installation

- Make sure that the cold and hot water lines are turned off.
- Wrap all threaded connections with plumber's tape. Always wrap in a clockwise direction.
- Cover your drain to avoid losing parts.
- Do not disassemble the main faucet body, as it has been installed and commissioned correctly and precisely before delivery to the factory.
- To keep the faucet from jamming, flush the water pipe before installation.

Operating conditions: Working pressure at 0.05-1.0 MPa (including cold and hot water pressure) with applicable water temperature: 39.2°F - 194°F.

## Installation Preparation

1. Shut off the water and let the water in the current faucet drain.
2. Assemble needed tools. The tools needed for each installation are included at the beginning of each section.
3. Loosen the hardware that keeps the current faucet in place. Remove faucet.

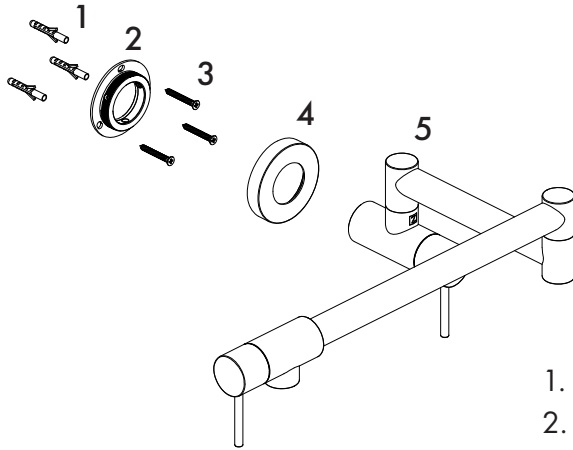
## Care and Maintenance

To keep the product clean and shining, follow the steps below:

1. Rinse clean with water and dry with a soft cloth.
2. Do not clean with soaps, acid, polish, abrasives, or harsh cleaners.
3. Do not use cloth with a coarse surface.
4. Unscrew the aerator and clean when necessary.

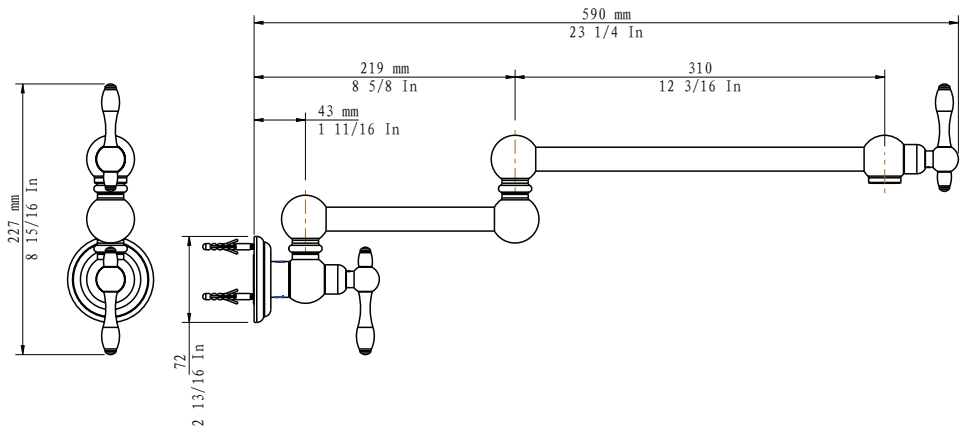
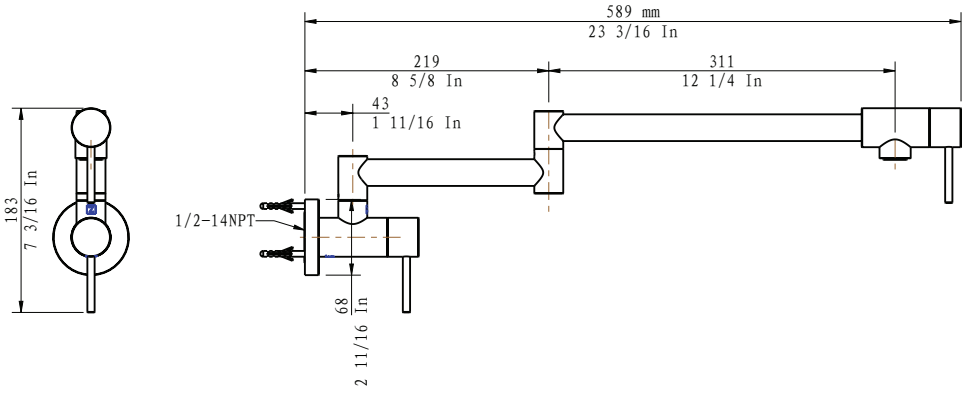
- If soldering the water connections when installing the faucet, remove the O-rings, cartridges, and washers before applying any heat.
- Protect your eyes when cutting or soldering.
- Do not over tighten screws/nuts. Finger tighten, then use a wrench/Philips-head screwdriver to tighten the fixing screw/nut until snug.

# POT FILLER



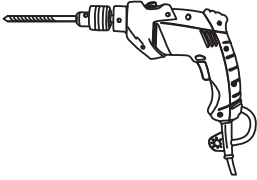
1. Wall anchor
2. Mounting plate
3. Screws
4. Flanges
5. Pot filler

# POT FILLER

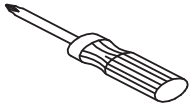


# POT FILLER

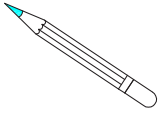
Tools:



Drill



Phillips-head screwdriver



Pencil

Time required:



+/- 45 minutes

Legend:



Hot Water



Cold Water



Warning

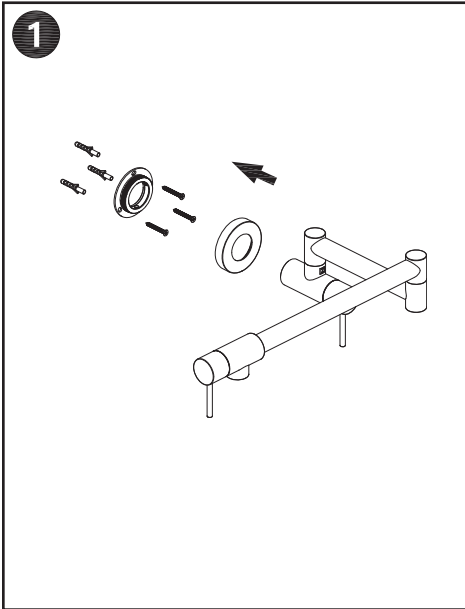


Plumber's Tape-

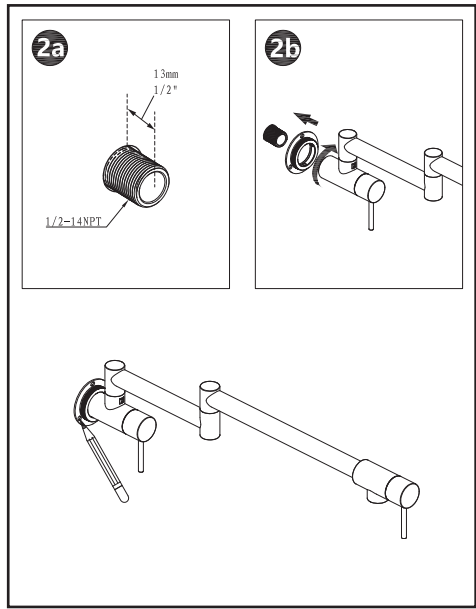
Used for a watertight seal on threaded pipe joints.



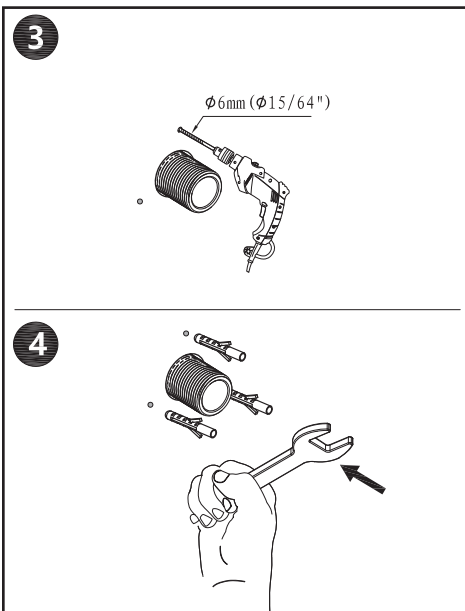
# POT FILLER



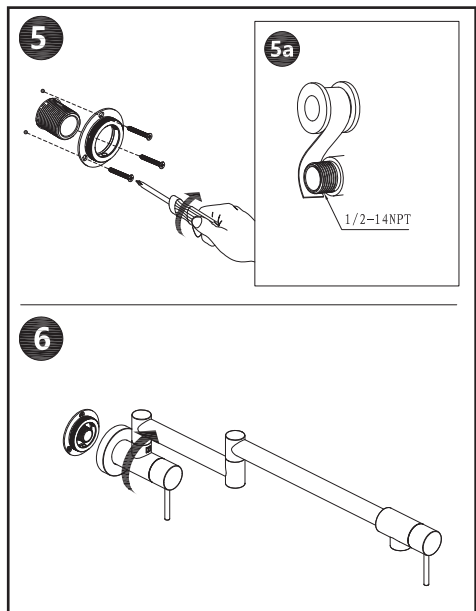
Align faucet parts with pipe to check for compatibility.



Note the position of the mounting bracket by marking the screw holes.

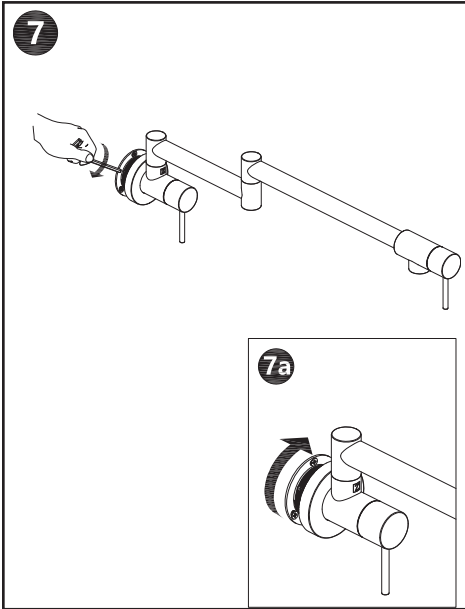


Drill in the wall anchors.

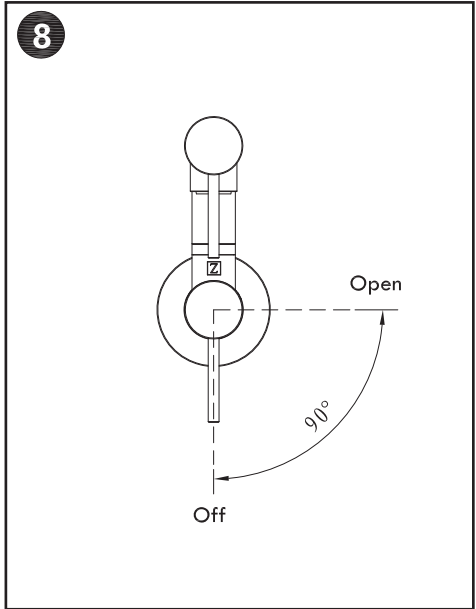


Screw the screws into place.

## POT FILLER

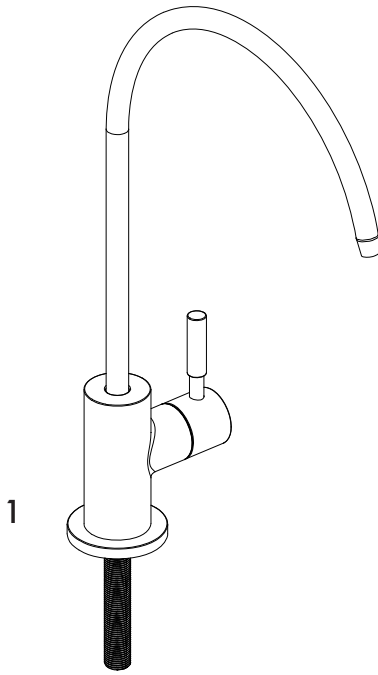


Secure the mounting plate with the included hex key.



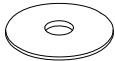
Review the diagram to understand the on and off settings.

# DRINK FAUCET



1

2



3

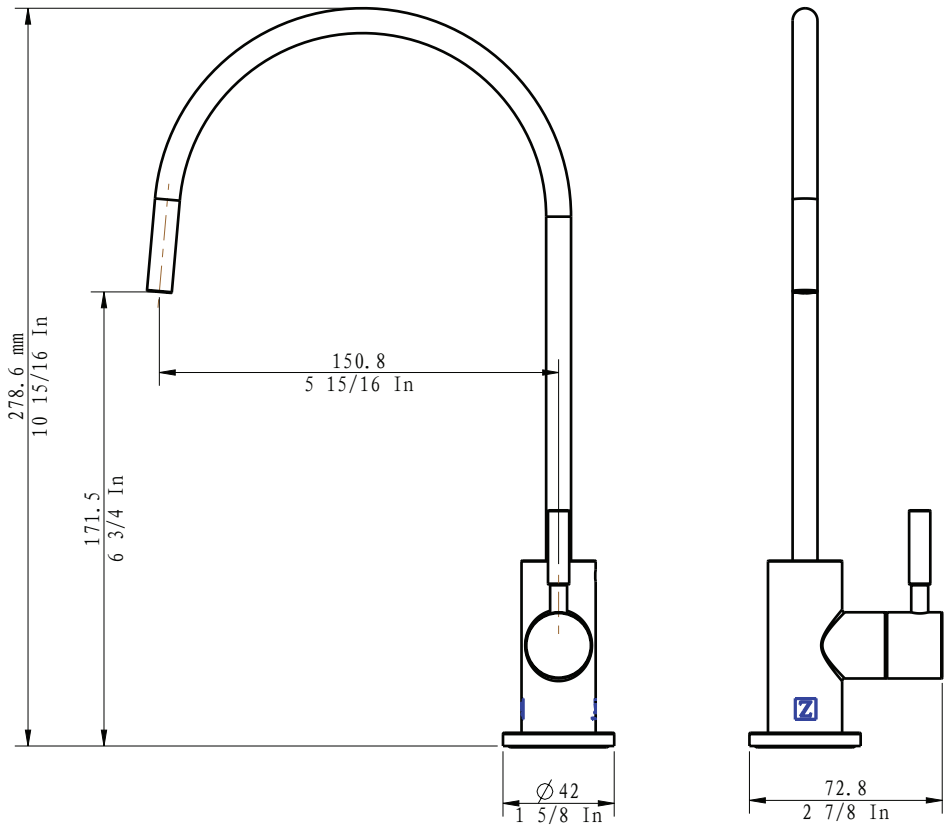


4



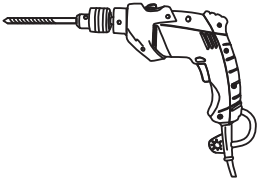
- 1. Faucet Body
- 2. Rubber Washer
- 3. Metal Washer
- 4. Fixing Nut

# DRINK FAUCET

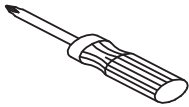


# DRINK FAUCET

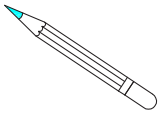
Tools:



Drill



Phillips-head screwdriver



Pencil

Time required:



+/- 45 minutes

Legend:



Hot Water



Cold Water



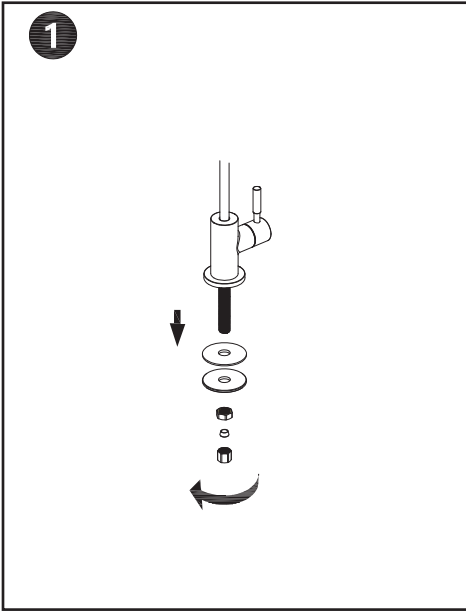
Warning



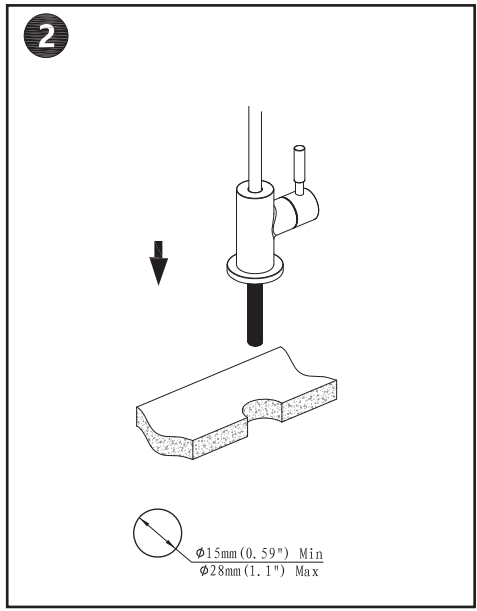
Plumber's Tape-

Used for a watertight seal on threaded pipe joints.

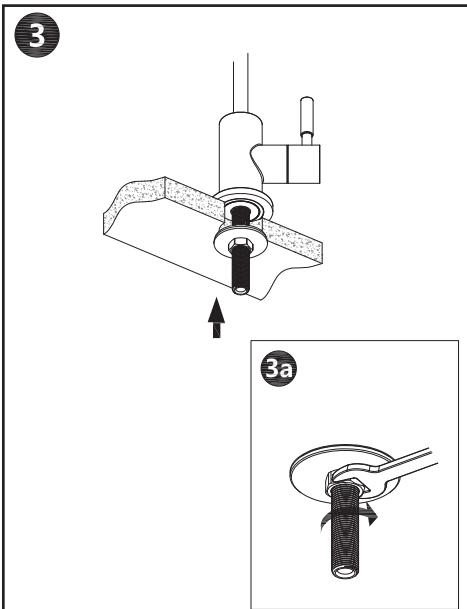
# DRINK FAUCET



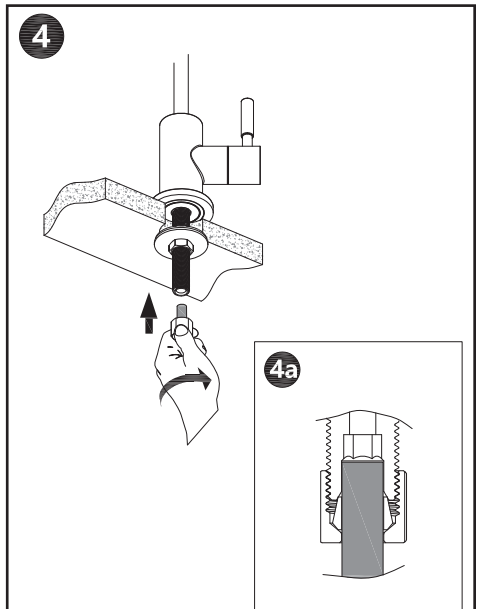
Loosen the fixing nut and washers and put aside.



Mount faucet to counter top.

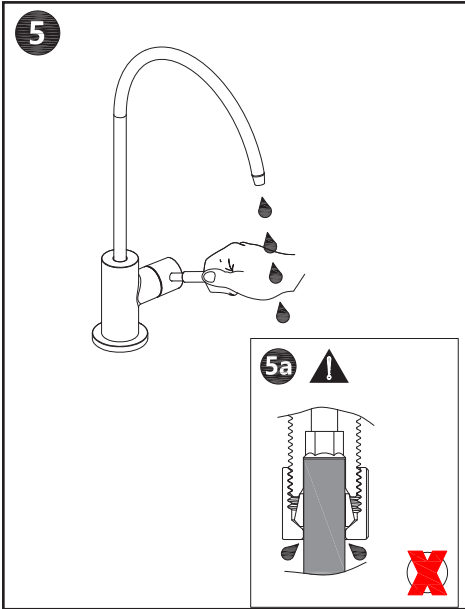


Secure the hardware into place with the nuts and screws.

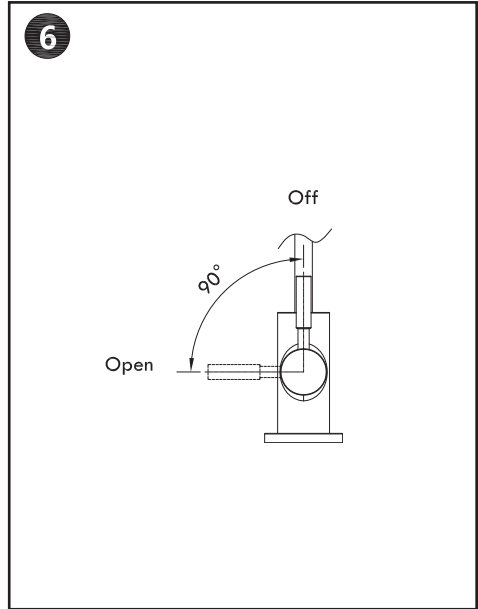


Secure the fixing nut into place.

# DRINK FAUCET



Test the faucet.



Review the diagram to understand the on and off settings.

## TROUBLESHOOTING

Problem	Possible Cause	Solution
There is leakage under the handle.	The locking nut has come loose.	Unscrew the lever on the handle by hand. Loosen set screw with a hex wrench. Remove the handle and unscrew trim cap by hand. Tighten locking nut with an adjustable wrench.
Water will not shut off completely.	Cartridge may be defective.	Unscrew the level on the handle by hand. Loosen set screw with a hex wrench. Remove the handle and unscrew trim cap by hand. Unscrew the locking nut with an adjustable wrench. Remove ceramic disc cartridge. Check for cracks.
There is a leak between the spray head and the hose.	The spray head may be loose or the washer is not seated correctly in the hose connection.	Tighten the spray head by hand until snug. Make sure the washer is seated correctly.





ZLINE

KITCHEN AND BATH

**Three Locations:**

350 Parr Circle  
Reno, NV 89512

916 Delaware Avenue  
Marysville, OH 43040

427 Rowland Mill Road  
Bruceston, TN 38317

[www.zlinekitchen.com](http://www.zlinekitchen.com)

**1-614-777-5004**