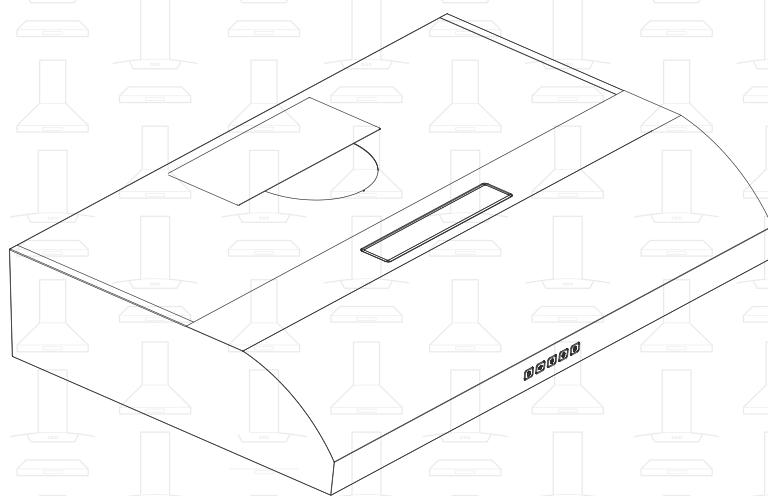


USER MANUAL

HAUSLANE Kitchen Range Hood



Model: UC-B017SS-30 / UC-B018SS-30

H A U S L A N E | **chef** SERIES

Safety Information.....	1
Warranty.....	2
Pre-installation	3
Installation	7
Operation	10
Maintenance.....	11
Care and Cleaning.....	13
Troubleshooting.....	14
Wiring Diagram.....	15

READ AND SAVE THESE INSTRUCTIONS FOR DOMESTIC COOKING ONLY

INSTALLER: Leave this manual with the homeowner.

HOMEOWNER: Use and Care information on Page

If hood is to be installed Non-Ducted (Recirculation), then purchase a set of (2) non-ducted charcoal filters from your local distributor or retailer and attach them to the motor.

WARNING

SUITABLE FOR USE IN HOUSEHOLD COOKING AREA.

TO REDUCE THE RISK OF FIRE, ELECTRICAL SHOCK, OR INJURY TO PERSONS, OBSERVE THE FOLLOWING:

1. Use this unit only in the manner intended by the manufacturer. If you have the questions, contact the manufacturer at the email address or telephone number listed in the warranty.
2. Before servicing or cleaning unit, switching power off at service panel and lock service panel to prevent power from being switched on accidentally. When the service disconnecting means cannot be locked, securely fasten a prominent warning device, such as a tag, to the service panel.
3. Installation work and electrical wiring must be done by a qualified personnel in accordance with all applicable codes and standards, including fire-rated construction codes and standards.
4. Sufficient air is needed for proper combustion and exhausting of gases through the flue (chimney) of fuel burning equipment to prevent back drafting. Follow the heating equipment manufacturer's guidelines and safety standards such as those published by the National Fire Protection Association (NFPA), and the American Society for Heating, Refrigeration and Air Conditioning Engineers (ASHRAE), and the local code authorities.
5. When cutting or drilling into wall or ceiling, do not damage electrical wiring and other hidden utilities.
6. Ducted fans must always be vented to the outdoors.
7. Do not use this unit with any solid-state speed control device.
8. To reduce the risk of fire, use only steel ductwork.
9. This unit must be grounded.

TO REDUCE THE RISK OF A RANGE TOP GREASE FIRE:

- A. Never leave surface units unattended at high settings. Boil overs cause smoking and greasy spillovers that may ignite. Heat oils slowly on low or medium settings.
- B. Always turn hood ON when cooking at high heat or when cooking flaming foods.
- C. Clean ventilating fans frequently. Grease should not be allowed to accumulate on fan or filter.
- D. Use proper pan size. Always use cookware appropriate for the size of the surface element.

WARNING

TO REDUCE THE RISK OF INJURY TO PERSONS IN THE EVENT OF A RANGE TOP GREASE FIRE, OBSERVE THE FOLLOWING*:

1. SMOTHER FLAMES with a close-fitting lid, cookie sheet or metal tray, then turn off the burner. BE CAREFUL TO PREVENT BURNS. IF THE FLAMES DO NOT GO OUT IMMEDIATELY, EVACUATE AND CALL THE FIRE DEPARTMENT.
2. NEVER PICK UP A FLAMING PAN – You may be burned.
3. DO NOT USE WATER, including wet dishcloths or towels – This could cause a violent steam explosion.
4. Use an extinguisher ONLY if:
 - A. You own a Class ABC extinguisher and you know how to operate it.
 - B. The fire is small and contained in the area where it started.
 - C. The fire department has been called.
 - D. You can fight the fire with your back to an exit.

*Based on "Kitchen Fire Safety Tips" published by NFPA.

CAUTION

1. For general ventilating use only. Do not use to exhaust hazardous or explosive materials and vapors.
2. To avoid motor bearing damage and noisy and/or unbalanced impellers, keep drywall spray, construction dust, etc. off power unit.
3. For the best capture of cooking impurities, your range hood should be mounted so that the top of the hood is 24"-33" above the cooking surface (min 24" for electric cooktop, 26" for gas cooktop). The minimum hood distance above cooktop must not be less than 24"; any installation less than 24" may cause over heat and cause damage to the range hood, improper installation will not be warranted.
4. Two installers are recommended because of the larger size and weight of this hood.
5. To reduce the risk of fire and to properly exhaust air, be sure to duct air outside – Do not exhaust air into spaces within walls and ceiling or into attics, crawl space or garages.
6. Because of the high exhausting capacity of this hood, you should make sure enough air is entering the house to replace exhausted air by opening a window close to or in the kitchen.
7. Use with approved cord-connection kit only.
8. Please read specification label in product for further information and requirements.

This range hood is warranted to the original purchaser to be free of defects in material and workmanship for two(2) years from the date of purchase.

Our obligation shall be limited to the repair or replacement of a unit (at our discretion) that may prove, by our sole examination, to be defective under normal use and service during the warranty period. We may issue credit in the amount of the invoice value of the defective product (or a percentage of it according to use) in lieu of repair or replacement. Any failure of this product that is not traceable to a defect in material or workmanship is not covered by this warranty. These non-warrantable items include, but are not limited to:

- Any defects or damage to light bulbs
- Change in color or finish due to chemical usage
- Improper installation not in accordance with the instructions
- Dents, bumps, and scratches incurred during shipping, handling, or installation
- Damage caused by failure to follow care and cleaning guidelines, including damage caused by the use of abrasive cleaners
- Alterations made to the unit by the purchaser or installer
- Damage caused by accidental impact, fire, flood, freezing, and normal wear
- Bends and warping caused by forced connections, over-tightened fittings, and inadequate support during installation

A thorough inspection must be made before installation and any damage must be promptly reported. We will not be liable for failures or damage that could have been discovered or avoided by proper inspection and testing prior to installation.

Incidental repairs that would involve a minimum of time and effort on behalf of the purchaser will not be considered warranty work and no compensation will be deemed forth coming.

This warranty is non-transferable and shall be voided if the unit is removed from its initial installation or if it is not installed following the instructions.

Under no circumstance shall we be held liable for personal injury or property damage resulting from improper installation or use of this product. We will not be held liable for inconvenience caused by loss of use of this product, costs incurred for labor or materials, removal and installation of replacement units, or any other incidental or consequential damages. Costs relating to obtaining access for repair or replacement are the responsibility of the user.

This warranty does not extend to commercial and institutional installation or use.

WARRANTY CLAIM PRODEDURE

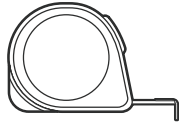
If a claimable defect occurs, please contact our customer service team .

Before you make your claim call, please ensure that you have:

- Description of the range hood
- Proof of sale
- Details regarding the defect
- Name(s) and address(es) of the owner and installer

Claims must be filled out in writing and returned within six (6) months of the appearance of a defect. Failure to comply with this stipulation will make this warranty null and void. We reserve the right to a thirty-day (30) delay following the receipt of a claim in which to inspect the product. We assume no responsibility for labor costs, removing or replacing a previously installed product, transportation, or the return of a product.

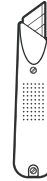
TOOLS REQUIRED



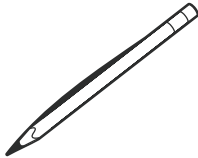
Measuring tape



Level



Utility knife



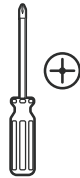
Pencil



Tape



Adjustable wrench



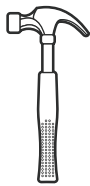
Phillips screwdriver



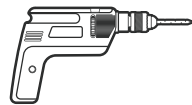
Flathead screwdriver



Needle nose pliers



Hammer



Electric drill



Safety goggles



Safety gloves

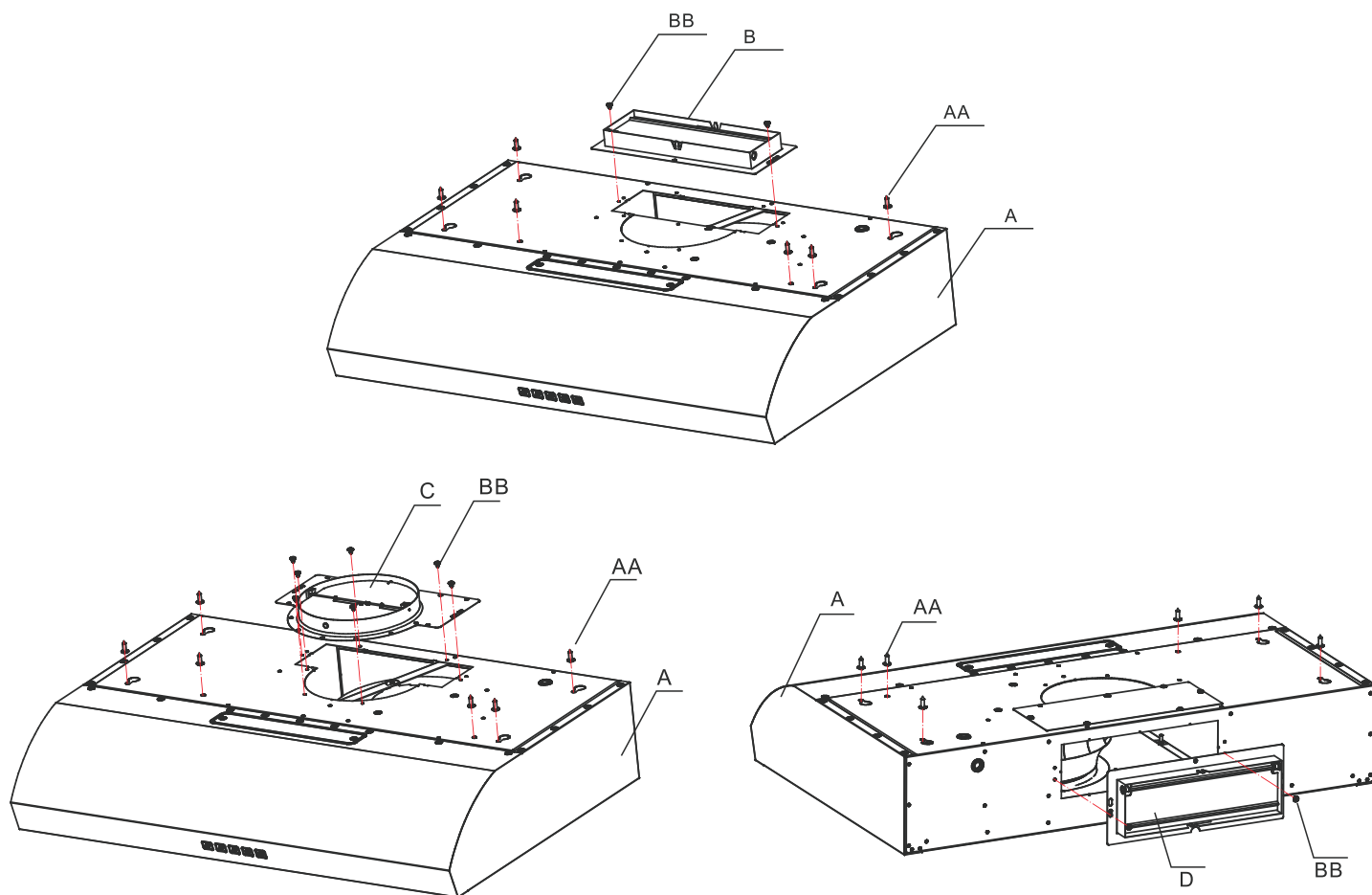
HARDWARE EXAMPLE

 **NOTE:** Hardware not shown to actual size.



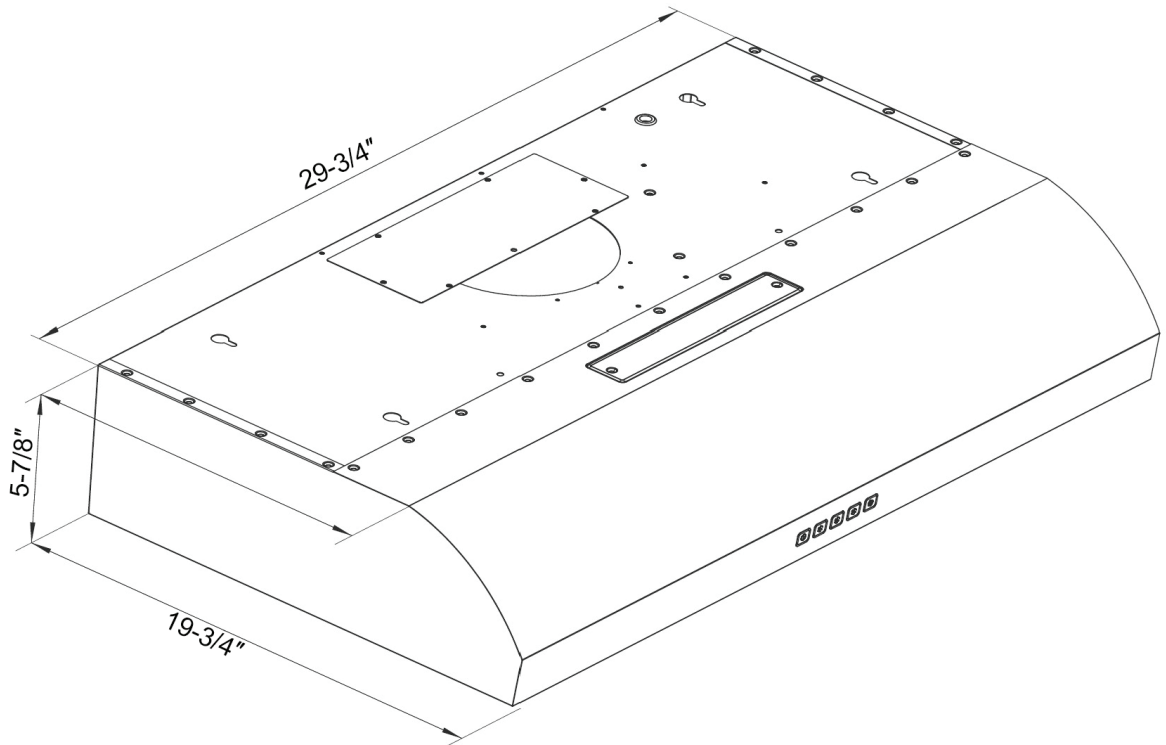
Part	Description	Quantity
AA	Under cabinet mounting screws	6
BB	Outlet adapter mounting screws	2

PACKAGE CONTENTS



Part	Description	Quantity
A	Range hood (including filters and lamps)	1
B	Vertical rectangular outlet adapter	1
C	Vertical round outlet adapter	1
D	Horizontal rectangular outlet adapter	1

SPECIFICATIONS



Dimensions	Volts	Hertz	Fan CFM	Speeds	Light Wattage	Stainless Steel Grade
29-3/4"	120	60	600CFM	3	3W x2	430
5-7/8"						
19-3/4"						

PLANNING STALLATION

Carefully check the range hood for damage and for missing parts prior to installation. If there is any damage or missing parts, do not proceed with the installation and report damages and missing parts immediately. Do not dispose of packaging before you are satisfied with your new range hood.

- We will not be responsible for any damages resulting from incorrect or improper installation.
- Please read this instruction manual carefully before installation or using this range hood.
- Only use this range hood in Duct Mode (ducting fume to the outside only).
- Only a qualified and well trained service technician can undertake the installation.
- Check the main voltage corresponds to the voltage indicated on the rating plate inside the hood.
- Check that the domestic power supply and guarantee adequate earthing.
- Do not connect the hood to exhaust ducts carrying combustion fumes (boilers, fireplace etc.).
- If the hood is used in conjunction with non-electrical appliances, a sufficient degree of aeration must be guaranteed in the room in order to prevent the backflow of exhaust gas. The kitchen must have an opening directly with the open air in order to guarantee the entry of clean air.
- The minimum distance is 24 inches above the cooking surface. If the installation instruction has gas hobs specifying a greater distance, this must be taken into account.
- For the stainless hoods, please carefully remove the plastic protective film from the surface of the hood prior to installation.



CAUTION: To reduce the risk of fire and electrical shock, install this range hood on with integral blowers by qualified person.



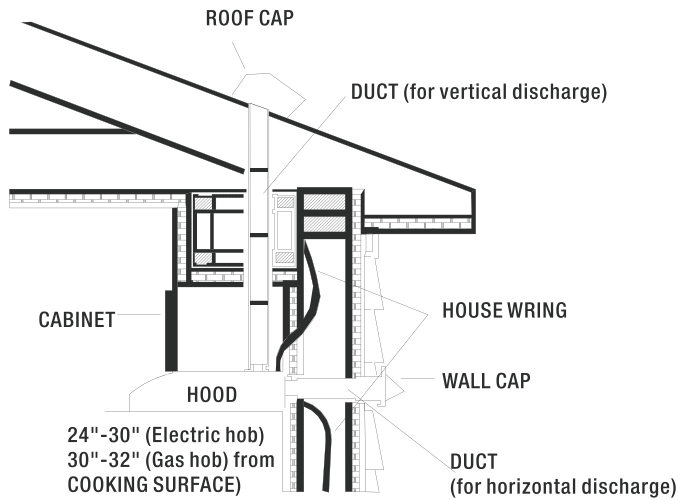
NOTE: Considering heavy weight, two or more people are required to install or move the appliance. Failure to do so can cause physical injuries.

CONNECTION

This hood can be installed in ducted and ductless.

DUCTED VERSION

The duct and the roof/wall cap should be sourced locally.



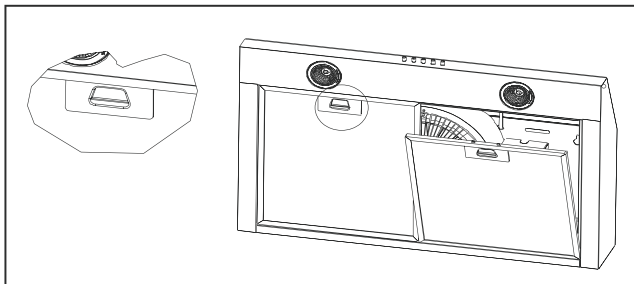
For vertically run ductwork between the hood location and the roof cap or wall cap. For the best result, use a minimum number of transitions and elbows.



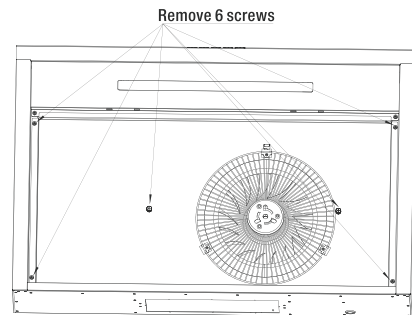
WARNING: To reduce the risk of fire, use only metal duct work.

INSTALLATION

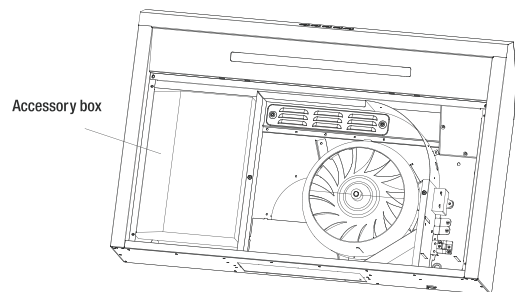
1. Remove the filters by removing the handles.



2. Remove the filters by removing the handles.



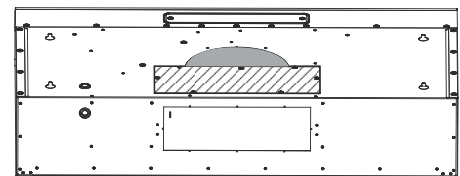
3. Take out the accessory box (included damper, installation screws ect).



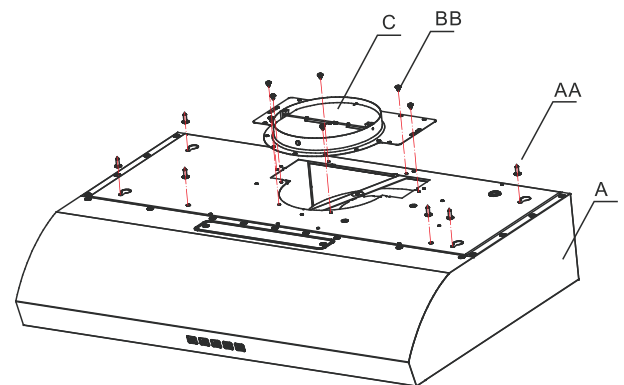
4. **Duct installation:**

For 7" round vertical exhaust:

Remove the half round knockout plate from the top of the hood (grey area) by needle nose plier. Remove the rectangular cover plate by releasing 7 screws (crossed area)

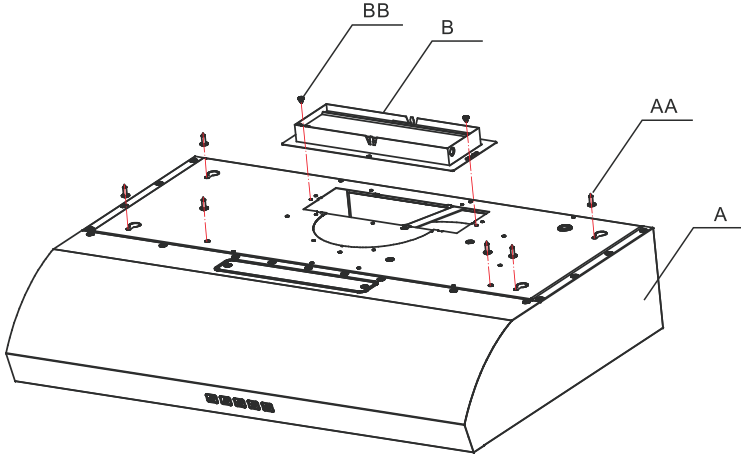


Install the 7" round damper (C) by using 7 screws (BB).



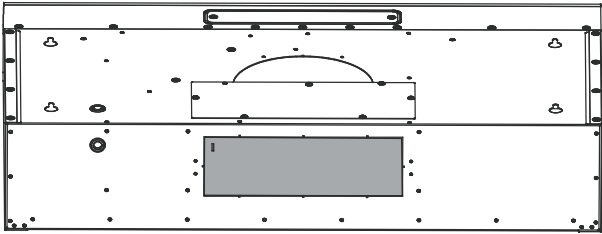
For 3 1/4 " x 10" vertical exhaust:

Install the 3 1/4 " x 10" damper(B) by using 2 screws(BB)

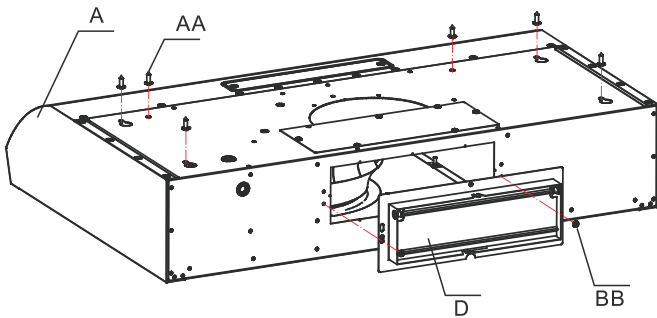


For 3 1/4 " x 10" horizontal exhaust:

Remove the rectangular knockout plate from the back of the hood (grey area).

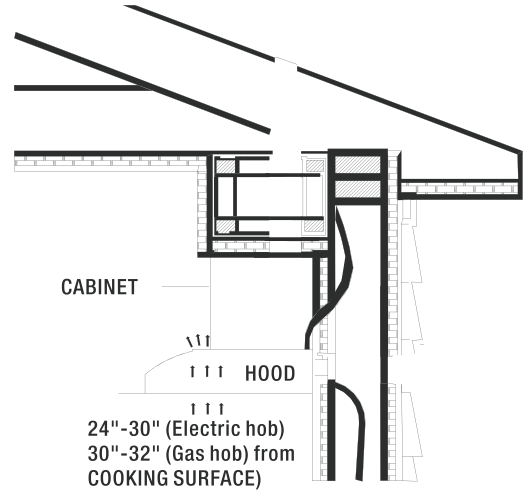


Install the 3 1/4 " x 10" damper(C) by using 2 screws(BB)

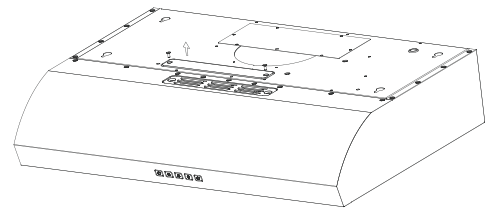
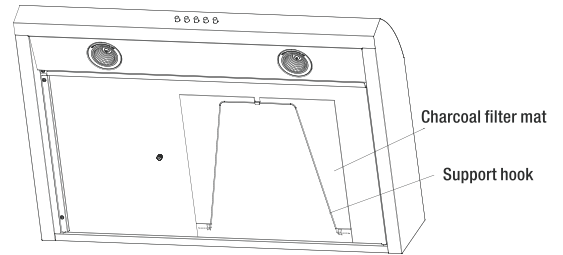


DUCTLESS VERSION

(SKIP THIS STEP IF YOU ARE USING EXTERIOR VENTING)

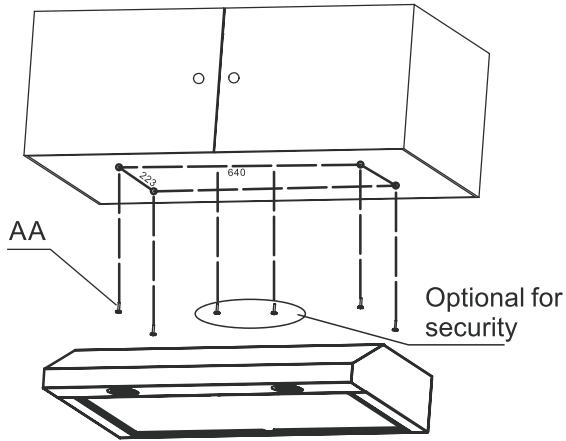


Attach the charcoal filter mat with support hook and remove the recirculation plate by releasing the screws.

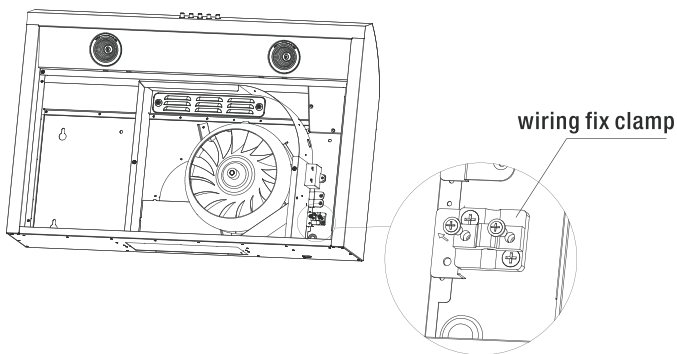


Hold the hood in position under the cabinet. For ducted installation, make sure the outlet adapter enters ductwork and the damper opens and closes freely.

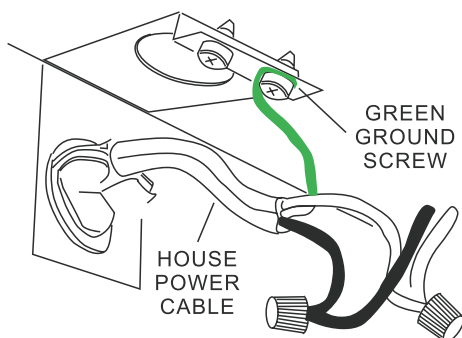
Tighten six mounting screws (AA) completely to secure the hood to the cabinet. Please note that two of the six screws (AA) showed as below are optional for security.



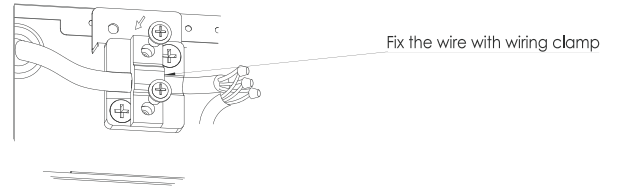
Release the wiring fixing clamp by releasing two screws



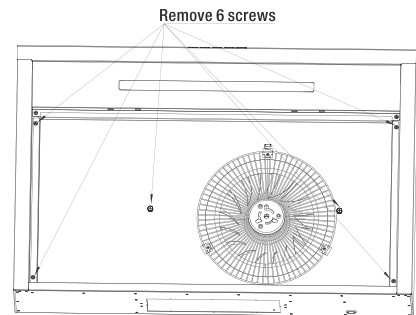
Connect the house power cable to the range hood wiring: BLACK to BLACK, WHITE to WHITE and GREEN or BARE WIRE to GREEN GROUND SCREW.



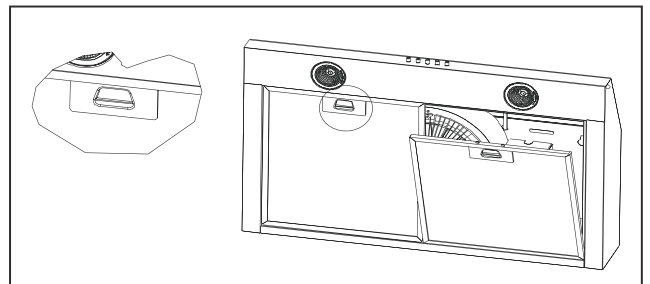
Fixe the wire with wiring clamp by securing two screws.



Reinstall the cover plate by 6 screws.



Replace the filters and turn on the power at service panel and test for proper operation.



The hood is operated using a push button switch or touch sensor switch on the front panel.

Push button switch:

The light switch (4) turns the lamps on and off.

The blower switch (1,2,3) turns the blower on to three speed settings:

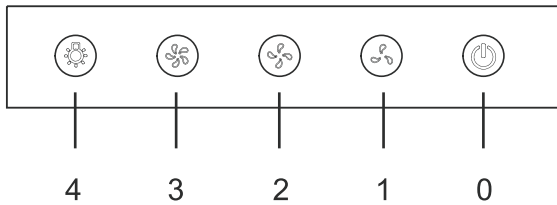
0 - ON/OFF

1 - LOW SPEED

2 - MEDIUM SPEED

3 - HIGH SPEED

4 - LIGHT



Touch sensor switch:

0 – OFF/TIME DELAY

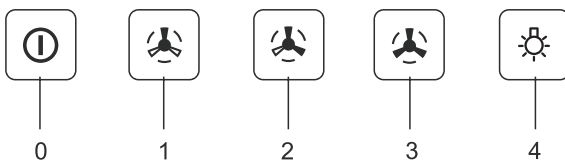
1 - LOW SPEED

2 - MEDIUM SPEED

3 - HIGH SPEED

4 - LIGHT

Time delay: Hold and press the “on/off” key for 2 seconds to activate the time delay function, the hood will automatically turn off after 5 minutes.



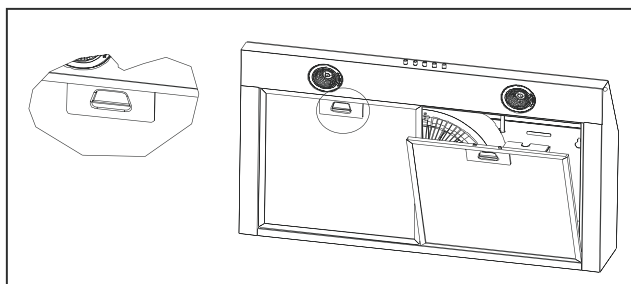
CAUTION: Unplug or disconnect the appliance from the power supply before servicing.



CAUTION: The unit is for general ventilating use only. Do not use to exhaust hazardous or explosive materials and vapors

ALUMINUM FILTERS & HYBRID FILTERS

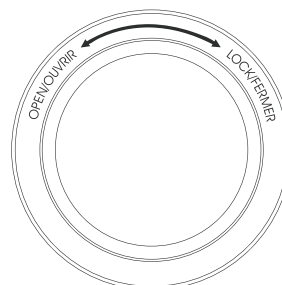
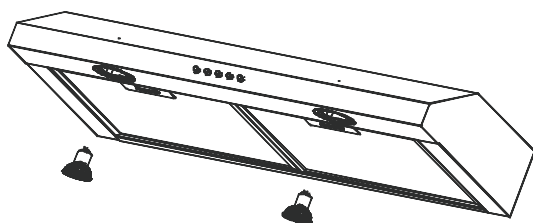
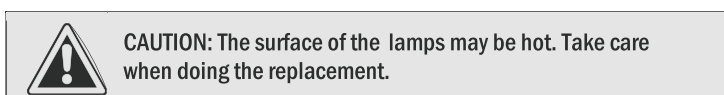
- The grease filters should be cleaned frequently (every two months of operation, or more frequently for heavy use). Use a warm detergent solution.
- Grease filters are washable.



1. Remove the grease filters one by one by pushing down each handle. This will disengage the filter from the hood. Tilt the filter downward and remove.
2. Wash the filters, taking care not to bend them. Allow them to be dry before refitting.
3. When refitting the filters, make sure that the handle is visible from the outside.
4. To install the grease filter, align rear filter in the hood. Push down the handle, push filter into position and release. Make sure the filter is securely engaged after assembly.

LIGHTING

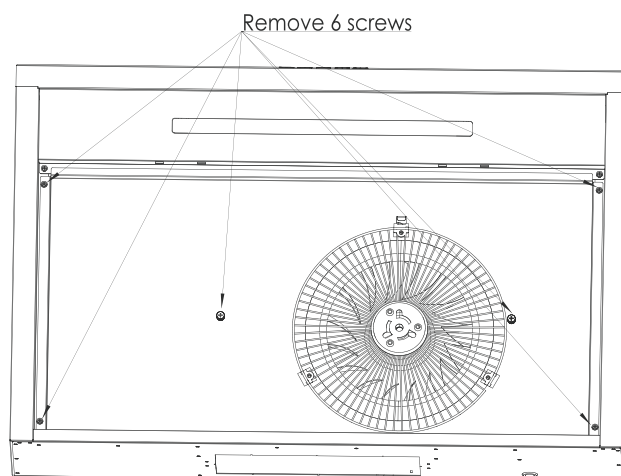
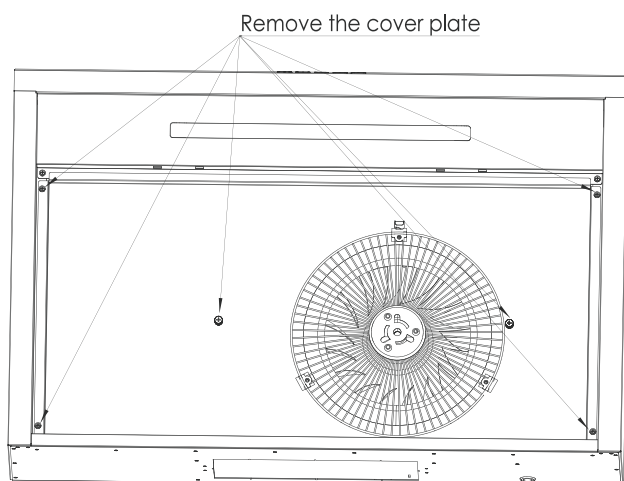
- The hood may use GU10 LED lamp or LED strip lamp.
- To change GU10 LED
 1. Switch off power and allow the bulbs to cool for 5 minutes.
 2. Wear gloves and remove the bulb by pulling sideways (as the direction instructed).



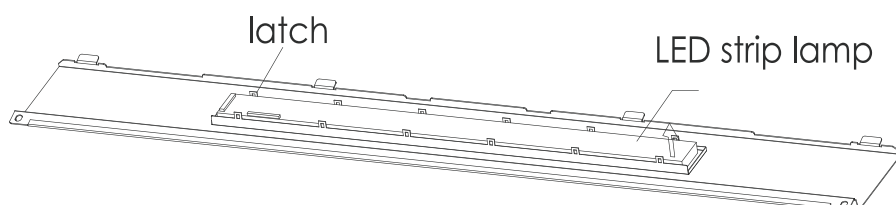
LIGHTING

□ To change LED strip lamp.

1. Remove the cover plate and lamp plate by releasing the screws.



2. Tick straight the latch and remove the LED strip lamp.



The range hood should be cleaned regularly internally and externally to preserve its appearance and performance.



WARNING: Failure to maintain basic standards of care and cleaning of the range hood will increase the risk of fire.

Do

- Clean the range hood periodically with hot, soapy water and a clean cotton cloth.
- Always clean in the direction of original polish lines.
- Always rinse well with clean water two or three times after cleaning. Wipe completely dry with a soft, non-abrasive cloth.
- After cleaning, you may polish with a non-abrasive stainless steel polish or cleaner. Always rub lightly and with the grain.
- Ensure that the venting system is free of debris, if you have one.

Do Not

- Do not use corrosive or abrasive detergents, or any products containing chloride, fluoride, iodide, or bromide on this product, as they will deteriorate the surface rapidly.
- Do not allow cleaning compounds, salt solutions, disinfectants, or bleaches to remain in contact with the product for extended periods of time.
- Do not allow deposits to remain for long periods of time on the range hood. Rinse with water immediately and wipe dry with a clean cloth.
- Do not leave the range hood dirty for long periods of time or allow dirt to accumulate.
- Do not let plaster dust or any other construction residue enter the hood. During construction or renovation, cover the hood.
- Combustible products used for cleaning, such as acetone, alcohol, ether, or benzyl, are highly explosive and should never be used close to a range or stove.



DANGER: Turn off the power circuit breaker or the power switch on the junction box before installing or servicing this unit. Touching circuitry inside the range hood while it is energized will result in death or serious injury.

Problem	Solution
The range hood will not operate.	<ul style="list-style-type: none"> <input type="checkbox"/> Check that the power supply cable and all electrical wiring are properly connected. <input type="checkbox"/> Check that the power is turned on at the junction box or circuit breaker. <input type="checkbox"/> Check that the wiring between the switch board and the control board are connected properly.
The range hood vibrates when the fan is operating.	<ul style="list-style-type: none"> <input type="checkbox"/> Check that the range hood has been secured properly to the wall or cabinet. Tighten it into position, if necessary. <input type="checkbox"/> Check that the motor is secured in place. If not, then tighten the motor in place. <input type="checkbox"/> Check that the fan is not damaged. If so, replace the fan.
The fans seem weak.	<ul style="list-style-type: none"> <input type="checkbox"/> Check the duct size, the range hood will not function efficiently with insufficient duct size. <input type="checkbox"/> Check that the duct is not clogged with debris and the tight mesh on the wall cap, if applicable, isn't restricting air flow. <input type="checkbox"/> Check that the damper unit is opening properly, if applicable.
The lights work, but the fan is not spinning, is stuck, or is rattling.	<ul style="list-style-type: none"> <input type="checkbox"/> The lights work, but the fan is not spinning, is stuck, or is rattling. <input type="checkbox"/> Check that the fan isn't jammed or scraping the bottom. <input type="checkbox"/> If nothing else works, the motor may be defective or seized. If so, replace the motor.
The range hood is not venting properly.	<ul style="list-style-type: none"> <input type="checkbox"/> Check that the distance between the cook top and the bottom of the range hood is min. at 24 in. <input type="checkbox"/> Check that duct work follows all requirements. Use metal duct work with a uniform outlet adapter size. Reduce the length of duct work and the number of elbows if necessary. Ensure that all joints are properly connected, sealed, and taped. <input type="checkbox"/> Check that the duct does not open against the wind. <input type="checkbox"/> Ensure that the power is on high speed for heavy cooking. <input type="checkbox"/> Wind from opened windows or doors may affect the performance of the range hood. Close windows and doors to eliminate outside air flow.
A light does not work.	<ul style="list-style-type: none"> <input type="checkbox"/> Check the light bulb to see if it is loose. If so, tighten. <input type="checkbox"/> Remove the problem bulb and insert one you know is working. If the properly functioning light does not come on, the problem may be the light assembly. Have the light assembly serviced or replaced.

