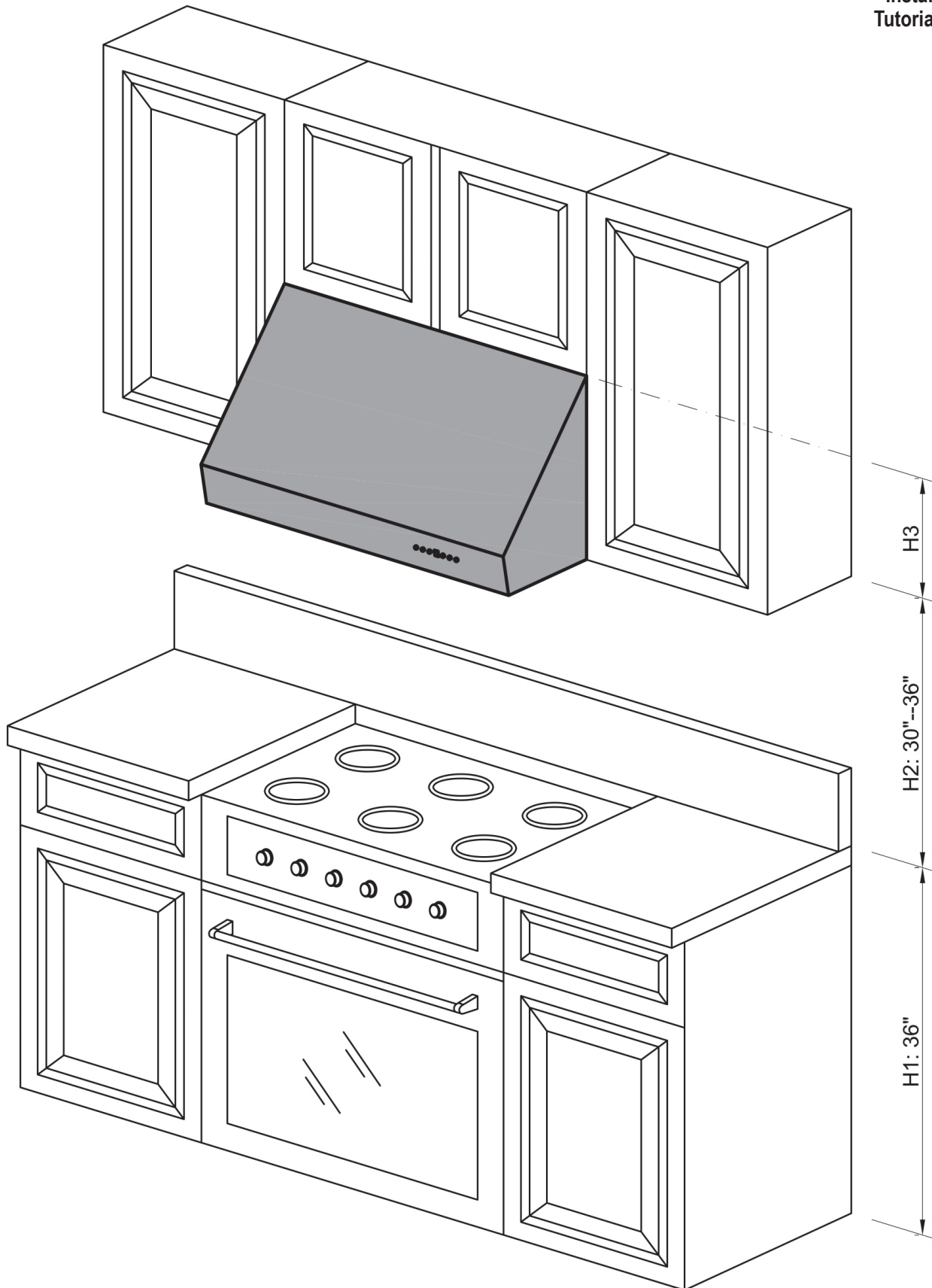


Under Cabinet Installation



Installation
Tutorial Video



Under Cabinet Installation

Preparation

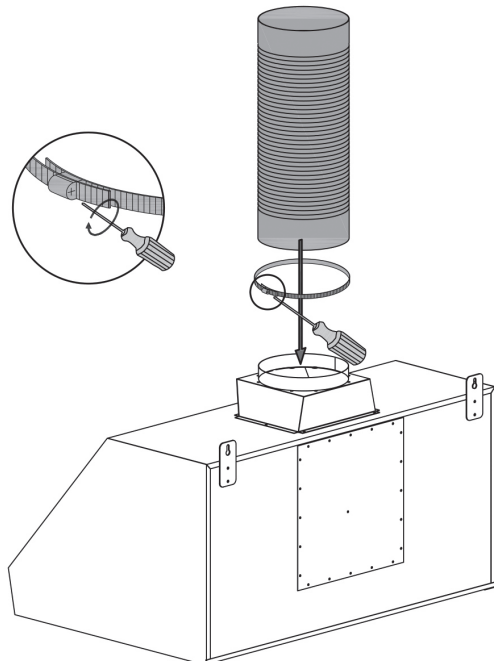
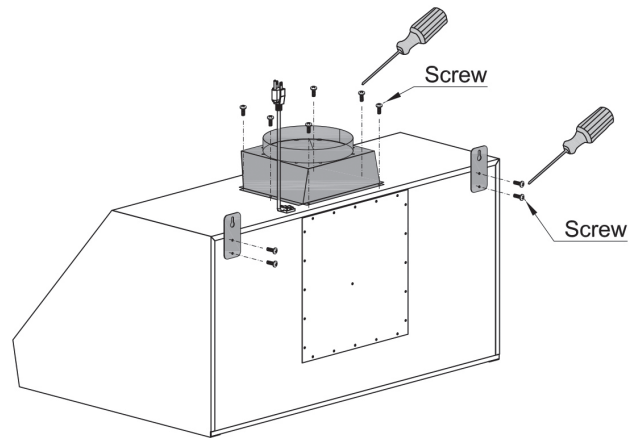
- ▶ Decide the location of the venting pipe from the hood to the outside.
- ▶ Check hood for clearance.
- ▶ A straight, short vent run will allow the hood to perform more efficiently.
- ▶ Try to avoid as many transitions, elbows, and long runs as possible. This may reduce the performance of the hood.
- ▶ For installing under the cabinet with recessed bottom, attach 4-inch wide wood filler strips (not provided) on each side.
- ▶ Puncture the knockout holes (for mounting under the cabinet) on the hood.

- 1 Measure the distance between stove top and the bottom of the range hood. A distance of 30" to 36" is recommended.

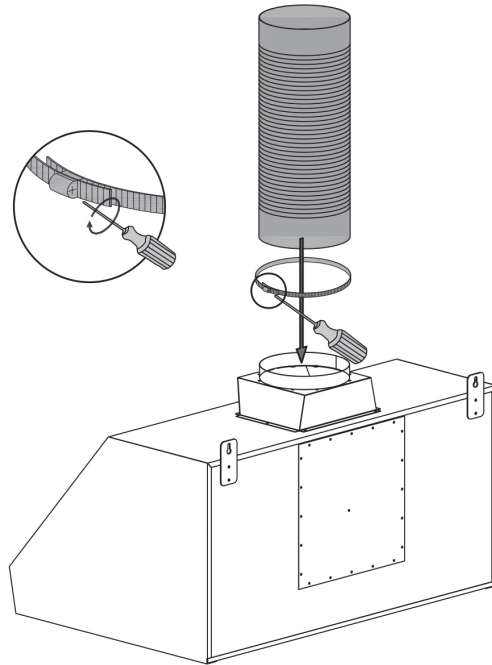
- 2 Attach mounting brackets to the back of the hood.

- 3 Mark the leveling point of the hood. Position two mounting screws on the wall, leaving $\frac{1}{8}$ " space away from the wall. **Make sure that you are mounting the hood to a secure backing to hold the weight of the hood.**

- 4 Tighten ducting (provided) with the hose clamp provided. Use silver or duct tape wherever needed.

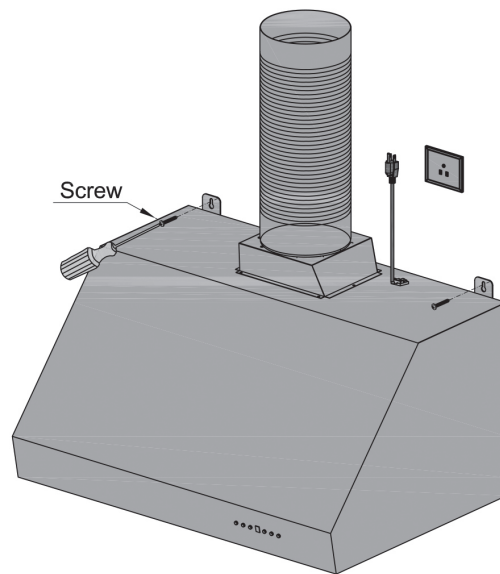


- 5 Draw electrical wires through cabinet access opening, center the hood beneath the cabinet.



- 6 Align hood-mounting brackets to the screws on the wall and hook hood into place. Tighten screws to secure hood to the wall.

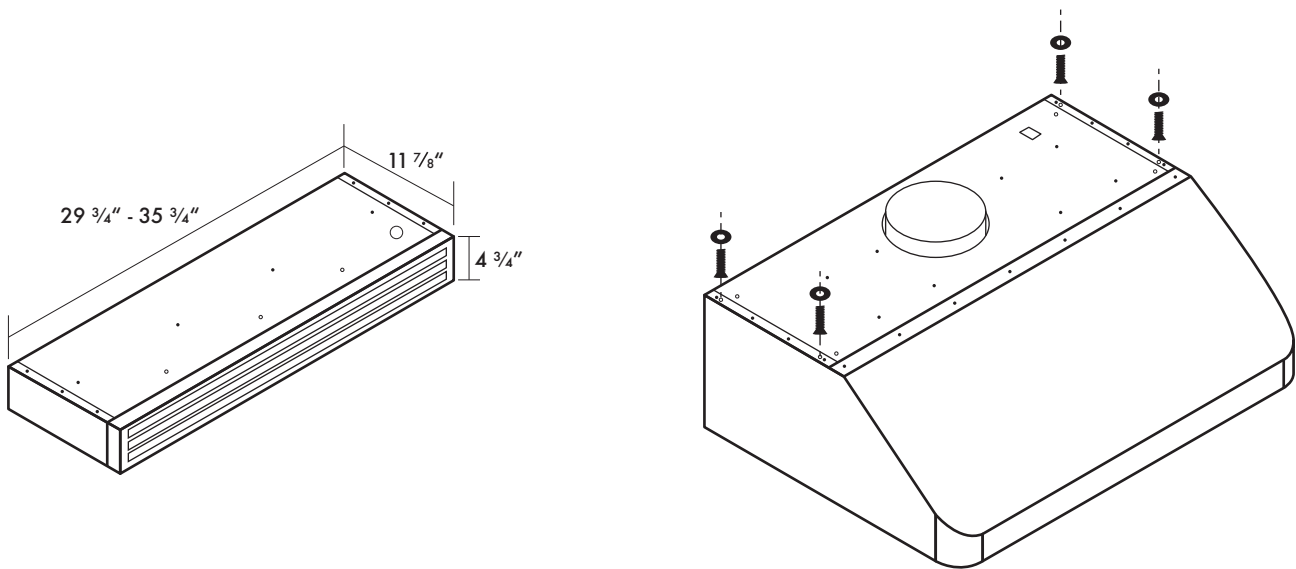
- 7 Connect ducting.



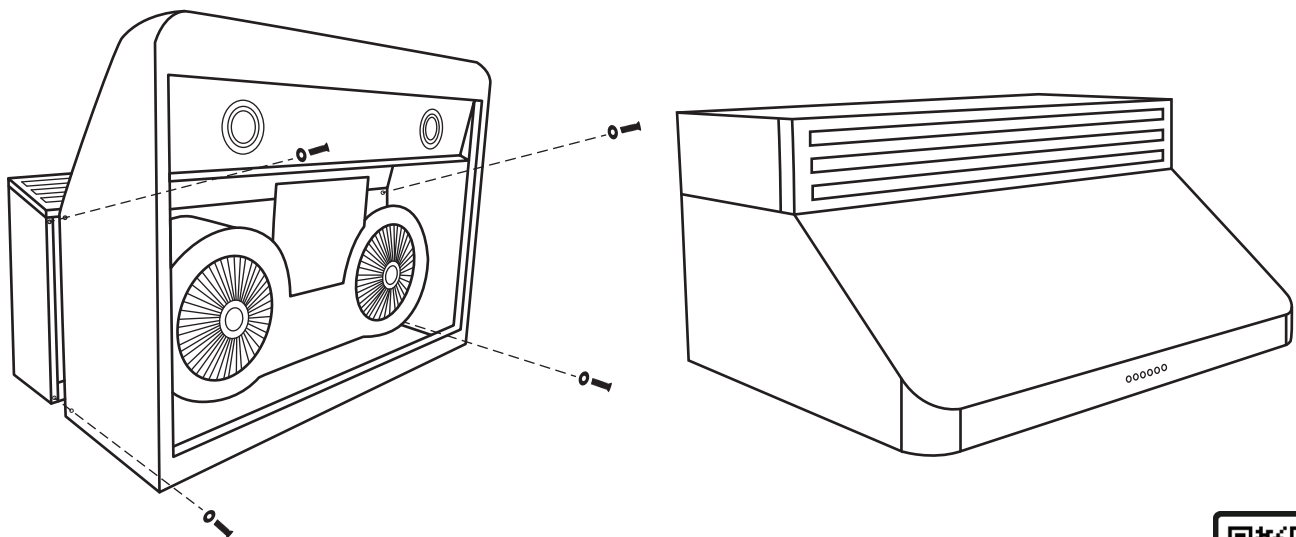
Undercabinet Recirculating Kit

Step 1: Open package, locate all necessary hardware. Included should be 4 screws with 4 washers.

Step 2: Line up the recirculating kit with the top of the range hood.



Step 3: Secure the recirculating kit with the provided screws. Once secure, begin tightening each screw until the recirculating kit is flush with the range hood.



Step 4: Install undercab per range hood installation guide.



No time to read?
Scan for a quick video.