

24" AND 30" DRAWER MICROWAVE

TMD2401 | TMD3001

COOK LIKE A GOD

THOR
K I T C H E N[®]

USER MANUAL

PRECAUTIONS TO AVOID POSSIBLE EXPOSURE TO EXCESSIVE MICROWAVE ENERGY

- Do not attempt to operate this oven with the door open since open-door operation can result in harmful exposure to microwave energy. It is important not to defeat or tamper with the safety interlocks.
- Do not place any object between the oven front face and the door or allow soil or cleaner residue to accumulate on sealing surfaces.
- Do not operate the microwave oven if it is damaged. It is particularly important that the microwave oven door close properly and that there is no damage to the: (1) door (bent), (2) hinges and latches (broken or loosened), (3) door seals and sealing surfaces.
- The microwave oven should not be adjusted or repaired by anyone except properly qualified service personnel.

WARNING:

This equipment generates and uses ISM frequency energy and if not installed and used properly, that is in strict accordance with the manufacturer's instructions, may cause interference to radio and television reception.

It has been type-tested and found to comply with limits for an ISM Equipment pursuant to part 18 of FCC Rules, which are designed to provide reasonable protection against such interference in a residential installation.

However, there is no guarantee that interference will not occur in a particular installation.

If this equipment does cause interference to radio or television reception, which can be determined by turning the equipment off and on, the user is encouraged to try to correct the interference by one or more of the following:

- Reorient the receiving antenna of radio or television.
- Relocate the microwave oven with respect to the receiver.
- Move the microwave oven away from the receiver.
- Plug the microwave oven into a different outlet so that microwave oven and receiver are on different branch circuits.

THE MANUFACTURER is not responsible for any radio or TV interference caused by UNAUTHORIZED MODIFICATION to this microwave oven. It is the responsibility of the user to correct such interference.

CONTENTS

PRECAUTIONS TO AVOID POSSIBLE EXPOSURE TO EXCESSIVE MICROWAVE ENERGY	2	MANUAL DEFROST	13
IMPORTANT SAFETY INSTRUCTIONS	4	REHEAT	14
IMPORTANT INFORMATION YOU NEED TO KNOW	5	BEVERAGE CENTER	14
ABOUT UNPACKING AND EXAMINING YOUR DRAWER MICROWAVE	5	MELT / SOFTEN / WARM	15
ELECTRICAL GROUNDING INSTRUCTIONS	5	KEEP WARM	16
RADIO OR TV INTERFERENCE	5	MULTIPLE SEQUENCE COOKING	16
ABOUT YOUR DRAWER MICROWAVE	5	ADD-A-MINUTE	16
COOKWARE SAFETY	5	MORE OR LESS TIME ADJUSTMENT	16
ACCESSORIES	6	HELP (IN THE DISPLAY)	16
CHILD SAFETY	6	CONTROL LOCK	16
FOOD SAFETY	6	SETUP/ HELP	16
COOKING SAFETY	7	AUDIBLE SIGNAL ELIMINATION	17
ABOUT FOODS	7	END OF COOKING REMINDER	17
BEFORE OPERATING	8	AUTO START	17
TO SET THE CLOCK	8	SETUP/ HELP	17
STOP/CLEAR	8	DEMONSTRATION MODE	17
OPEN OR CLOSE DRAWER MICROWAVE	8	STANDBY MODE	17
FEATURES AND CONTROL PANEL	9	CLEANING AND MAINTENANCE	18
SETTINGS	10	EXTERIOR	18
TIME COOKING	10	STAINLESS STEEL SURFACE	18
TO SET POWER LEVEL	10	FRONT SIDE OF THE DRAWER	18
SENSOR SETTINGS	10	TOUCH CONTROL PANEL	18
COVERING FOODS	10	DRAWER GUIDES	18
SENSOR POPCORN / SENSOR REHEAT	11	INTERIOR	18
SENSOR COOK	12	WAVEGUIDE COVER	18
DEFROST	13	ODOR REMOVAL	18
		BEFORE YOU CALL FOR SERVICE	19
		WARRANTY	20

IMPORTANT SAFETY INSTRUCTIONS

When using electrical appliances, basic safety precautions should be followed, including the following:

WARNING - To reduce the risk of burns, electric shock, fire, injury to persons or exposure to excessive microwave energy:

1. Read all instructions before using the appliance.
2. Read and follow the specific PRECAUTIONS TO AVOID POSSIBLE EXPOSURE TO EXCESSIVE MICROWAVE ENERGY on page 2.
3. This appliance must be properly grounded. Connect only to properly grounded outlet. See ELECTRICAL GROUNDING INSTRUCTIONS on page 5.
4. Install or locate this appliance only in accordance with the provided Installation Guide.
5. Some products such as whole eggs and sealed containers—for example, closed glass jars—are able to explode and should not be heated in the appliance.
6. Use this appliance only for its intended use as described in this manual. Do not use corrosive chemicals or vapors in this appliance. This appliance is specifically designed to heat, cook or dry food. It is not designed for industrial or laboratory use.
7. **HOT CONTENTS CAN CAUSE SEVERE BURNS. DO NOT ALLOW CHILDREN TO USE THE MICROWAVE OVEN.** Use caution when removing hot items.
8. Do not operate this appliance if it has a damaged cord or plug, if it is not working properly or if it has been damaged or dropped.
9. This appliance should be serviced only by qualified service personnel. Contact nearest Authorized Servicer for examination, repair or adjustment.
10. Do not cover or block any openings on the appliance.
11. Do not store or use this appliance outdoors. Do not use this product near water—for example, near a kitchen sink, in a wet basement, near a swimming pool or similar locations.
12. Do not immerse cord or plug in water.
13. Keep cord away from heated surfaces.
14. Do not climb or sit on the appliance.
15. Be sure that fingers or other objects or materials are not around the appliance opening when the appliance is closed.
16. Do not put fingers or clothes around the drawer guides when the appliance is opened or closed. They could be caught in the guides when the appliance is closed.
17. Be sure that the food and container are shorter than the drawer before closing it. You can refer to the height of the side walls of the drawer.
18. When cleaning appliance sealing surfaces that come together on closing the drawer, use only mild, nonabrasive soaps or detergents applied with a sponge or soft cloth. See cleaning instructions on page 18.
19. To reduce the risk of fire in the appliance cavity:
 - a. Do not overcook food. Carefully attend appliance when paper, plastic or other combustible materials are placed inside the appliance to facilitate cooking.
 - b. Remove wire twist-ties from paper or plastic bags before placing bag in appliance.
 - c. If materials inside the appliance ignite, keep appliance door closed, turn microwave off and shut off power at the fuse or circuit breaker panel.
 - d. Do not use the appliance for storage purposes. Do not leave paper products, cooking utensils, or food in the appliance when not in use.
20. Liquids, such as water, coffee or tea are able to be overheated beyond the boiling point without appearing to be boiling due to surface tension of the liquid. Visible bubbling or boiling when the container is removed from the appliance is not always present. **THIS COULD RESULT IN VERY HOT LIQUIDS SUDDENLY BOILING OVER WHEN A SPOON OR OTHER UTENSIL IS INSERTED INTO THE LIQUID.**

To reduce the risk of injury to persons:

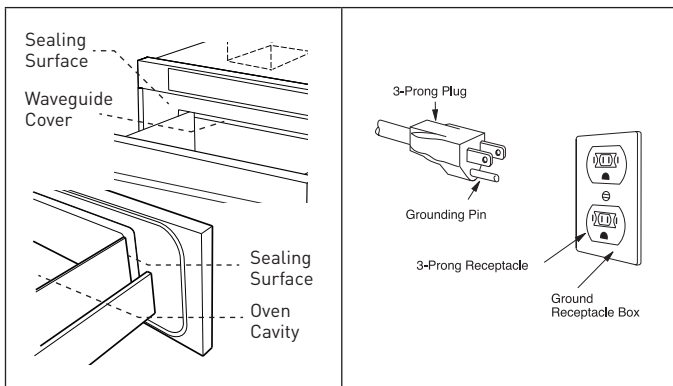
 - a. Do not overheat the liquid.
 - b. Stir the liquid both before and halfway through heating it.
 - c. Do not use straight-sided containers with narrow necks. Use a wide-mouthed container.
 - d. After heating, allow the container to stand in the appliance at least for 20 seconds before removing the container.
 - e. Use extreme care when inserting a spoon or other utensil into the container.
21. If the appliance light fails, consult a **AUTHORIZED SERVICER**.

SAVE THESE INSTRUCTIONS

IMPORTANT INFORMATION YOU NEED TO KNOW

ABOUT UNPACKING AND EXAMINING YOUR DRAWER MICROWAVE

1. Remove all packing materials from inside the Drawer Microwave. **DO NOT REMOVE THE WAVEGUIDE COVER**, which is located on the top of the Drawer Microwave.
2. Remove the feature sticker, if there is one. Check the drawer for any damage, such as misaligned or bent drawer, damaged drawer seals and sealing surfaces, broken or loose drawer guides and dents inside the cavity or on the front side of the drawer. If there is any damage, do not operate the Drawer Microwave and contact your **AUTHORIZED SERVICER**.



ELECTRICAL GROUNDING INSTRUCTIONS

This appliance must be grounded. The oven is equipped with a cord having a grounding wire with a grounding plug. It must be plugged into a wall receptacle that is properly installed and grounded in accordance with the National Electrical Code and local codes and ordinances. In the event of an electrical short circuit, grounding reduces risk of electric shock by providing an escape wire for the electric current.

WARNING:

Improper use of the grounding plug can result in a risk of electric shock.

Do not use an extension cord. If the power supply cord is too short, have a qualified electrician or serviceman install an outlet near the appliance.

If you have any questions about the grounding or electrical instructions, consult a qualified electrician or serviceperson.

NOTE:

- If you have any questions about the grounding or electrical instructions, consult a qualified electrician or serviceperson.
- Neither THOR nor the dealer can accept any liability for damage to the oven or personal injury resulting from failure to observe the correct electrical connection procedures.

RADIO OR TV INTERFERENCE

Should there be any interference caused by the Drawer Microwave to your radio or TV, check that the Drawer Microwave is on a different electrical circuit, relocate the radio or TV as far away from the oven as feasible or check position and signal of receiving antenna.

ABOUT YOUR DRAWER MICROWAVE

ALWAYS have food in the Drawer Microwave when it is on to absorb the microwave energy.

The vent under the Drawer Microwave must not be blocked. During microwaving, steam may come from the right side of the vent.

When using the Drawer Microwave at power levels below 100%, you may hear the magnetron cycling on and off. It is normal for the exterior of the Drawer Microwave to be warm to the touch when cooking or reheating.

Condensation is a normal part of microwave cooking. Room humidity and the moisture in food will influence the amount of moisture that condenses in the Drawer Microwave. Generally, covered foods will not cause as much condensation as uncovered ones.

The Drawer Microwave is for food preparation only. It should not be used to dry clothes or newspapers.

The Drawer Microwave is rated 950 watts by using the IEC Test Procedure. In using recipes or package directions, check food a minute or two before the minimum time and add time accordingly.

When opening or closing the Drawer Microwave quickly, food in the Drawer Microwave may be spilled. To clean, please refer to the Cleaning and Maintenance section on page 18.

COOKWARE SAFETY

- Use dry, sturdy pot-holders. Damp pot-holders may cause burns from steam. Dishtowels or other substitutes should **NEVER** be used as potholders because they can trail across hot surface elements and ignite or get caught on appliance parts.
- **DO NOT** heat unopened food containers; buildup of pressure may cause the container to explode and result in injury.
- Use care when opening the Drawer Microwave. Let hot air or steam escape before removing or replacing food.
- **PREPARED FOOD WARNING:** Follow food manufacturer's instructions. If a plastic frozen food container and/or its cover distorts, warps, or is otherwise damaged during cooking, immediately discard the food and its container. The food could be contaminated.

It is not necessary to buy all new cookware. Many pieces already in your kitchen can be used successfully in your new Drawer Microwave. Make sure the utensil does not touch the interior walls during cooking.

IMPORTANT INFORMATION YOU NEED TO KNOW

Use these utensils for safe microwave cooking and reheating:

- glass ceramic (Pyroceram®), such as Corningware®.
- heat-resistant glass (Pyrex®)
- microwave-safe plastics
- microwave-safe paper plates
- microwave-safe pottery, stoneware and porcelain
- browning dish (Do not exceed recommended preheating time. Follow manufacturer's directions.)

These items can be used for short time reheating of foods that have little fat or sugar in them:

- wood, straw, wicker

DO NOT USE:

- metal pans and bakeware (cookie sheets / brownie pans)
- dishes with metallic trim
- non-heat-resistant glass
- non-microwave-safe plastics (margarine tubs)
- recycled paper products
- brown paper bags
- food storage bags
- metal twist-ties

Should you wish to check if a dish is safe for microwaving, place the empty dish in the oven and microwave on HIGH for 30 seconds. A dish which becomes very hot should not be used.

The following coverings are ideal:

- Paper towels are good for covering foods for reheating and absorbing fat while cooking bacon.
- Wax paper can be used for cooking and reheating.
- Plastic wrap that is specially marked for microwave use can be used for cooking and reheating. DO NOT allow plastic wrap to touch food. Vent so steam can escape.
- Lids that are microwave-safe are a good choice because heat is kept near the food to hasten cooking.
- Oven cooking bags are good for large meats or foods that need tenderizing. DO NOT use metal twist-ties. Remember to slit bag so steam can escape.

How to use aluminum foil in your Drawer Microwave:

- Small flat pieces of aluminum foil placed smoothly on the food can be used to shield areas that are either defrosting or cooking too quickly.
- Foil should not come closer than one inch to any surface of the Drawer Microwave.

Should you have questions about utensils or coverings, check a good microwave cookbook or follow recipe suggestions.

Accessories

There are many microwave accessories available for purchase. Evaluate carefully before you purchase so that they meet your needs. A microwave-safe thermometer will assist you in determining correct doneness and assure you that foods have been cooked to safe temperatures. THOR is not responsible for any damage to the Drawer Microwave when accessories are used.

CHILD SAFETY

- HOT CONTENTS CAN CAUSE SEVERE BURNS. DO NOT ALLOW CHILDREN TO USE THE MICROWAVE OVEN.
- At no time should anyone be allowed to lean or swing on the Drawer Microwave.
- Children need to learn that the Drawer Microwave is not a toy. See page 16 for Control Lock feature.

FOOD SAFETY

- Arrange food carefully. Place thickest areas towards outside of dish.
- Watch cooking time. Cook for the shortest amount of time indicated and add more as needed. Food severely overcooked can smoke or ignite.
- Cover foods while cooking. Check recipe or cookbook for suggestions: paper towels, wax paper, microwave plastic wrap or a lid. Covers prevent spattering and help foods to cook evenly.
- Shield with small flat pieces of aluminum foil any thin areas of meat or poultry to prevent overcooking before dense, thick areas are cooked thoroughly.
- Stir foods from outside to center of dish once or twice during cooking, if possible.
- Turn foods over once during microwaving to speed cooking of such foods as chicken and hamburgers. Large items like roasts must be turned over at least once.
- Rearrange foods such as meatballs halfway through cooking both from top to bottom and from right to left.
- Add standing time. Remove food from Drawer Microwave and stir, if possible. Cover for standing time which allows the food to finish cooking without overcooking.
- Check for doneness. Look for signs indicating that cooking temperatures have been reached.

Doneness signs include:

- Food steams throughout, not just at edge.
- Center bottom of dish is very hot to the touch.
- Poultry thigh joints move easily.
- Meat and poultry show no pinkness.
- Fish is opaque and flakes easily with a fork.

IMPORTANT INFORMATION YOU NEED TO KNOW

COOKING SAFETY

Check foods to see that they are cooked to the United States Department of Agriculture's recommended temperatures.

TEMP	FOOD
145°F (63°C)	Fish
160°F (71°C)	Pork, ground beef/veal/lamb, egg dishes
165°F (74°C)	For leftover, ready-to-reheat refrigerated, and deli and carry-out "fresh" food. Whole, pieces and ground turkey/chicken/duck
170°F (74°C)	White meat of poultry
180°F (74°C)	Dark meat of poultry

To test for doneness, insert a meat thermometer in a thick or dense area away from fat or bone. NEVER leave the thermometer in the food during cooking, unless it is approved for microwave use.

- ALWAYS use potholders to prevent burns when handling utensils that are in contact with hot food. Enough heat from the food can transfer through utensils to cause skin burns.
- Avoid steam burns by directing steam away from the face and hands. Slowly lift the farthest edge of a dish's covering and carefully open popcorn and oven cooking bags away from the face.
- Stay near the Drawer Microwave while it is in use and check cooking progress frequently so that there is no chance of overcooking food.
- NEVER use the oven for storing cookbooks or other items.
- Select, store and handle food carefully to preserve its high quality and minimize the spread of foodborne bacteria.
- Keep waveguide cover clean. Food residue can cause arcing and/or fires.

ABOUT FOODS

FOOD	DO	DON'T
Eggs, sausages, nuts, seeds, fruits & vegetables	<ul style="list-style-type: none"> • Puncture egg yolks before cooking to prevent explosion. • Pierce skins of potatoes, apples, squash, hot dogs and sausages so that steam escapes. 	<ul style="list-style-type: none"> • Don't cook eggs in shells. • Don't reheat whole eggs. • Don't dry nuts or seeds in shells.
Popcorn	<ul style="list-style-type: none"> • Use specially bagged popcorn for the microwave. • Listen while popping corn for the popping to slow to 1 or 2 seconds or use special Sensor Popcorn pad. 	<ul style="list-style-type: none"> • Don't pop popcorn in regular brown bags or glass bowls. • Don't exceed maximum time on popcorn package.
Baby food	<ul style="list-style-type: none"> • Transfer baby food to small dish and heat carefully, stirring often. Check temperature before serving. • Put nipples on bottles after heating and shake thoroughly. Wrist test before feeding. 	<ul style="list-style-type: none"> • Don't heat disposable bottles. • Don't heat bottles with nipples on. • Don't heat baby food in original jars.
General	<ul style="list-style-type: none"> • Cut baked goods with filling after heating to release steam and avoid burns. • Stir liquids briskly before, during and after heating to avoid eruption. • Use deep bowl, when cooking liquids or cereals, to prevent boilovers. • Food should be shorter than the Drawer Microwave. Please refer to the height of side walls of the drawer. 	<ul style="list-style-type: none"> • Don't eat or cook in closed glass jars or air tight containers. • Don't can in the microwave as harmful bacteria may not be destroyed. • Don't deep fat fry. • Don't dry wood, gourds, herbs or wet papers.

BEFORE OPERATING

Before operating your new Drawer Microwave make sure you read and understand this User Guide completely.

The following steps **MUST** be taken before any functions can be used.

Before you use the Drawer Microwave:

1. Plug in the Drawer Microwave. ENJOY YOUR MICROWAVE TOUCH CLEAR AND TOUCH CLOCK will appear.
2. Touch the Stop/Clear pad. : will appear.
3. Set clock.

TO SET THE CLOCK

1. Touch Timer/Clock pad and number 2.
2. Enter the correct time of day by touching the numbers in sequence. Touch Timer/Clock pad.

This is a 12 hour clock. If you attempt to enter an incorrect clock time, **ERROR** will appear in the display. Touch the Stop/Clear pad and re-enter the time.

- If the electrical power supply to your Drawer Microwave should be interrupted, the display will intermittently show ENJOY YOUR MICROWAVE TOUCH CLEAR AND TOUCH CLOCK after the power is reinstated. If this occurs during cooking, the program will be erased. The time of day will also be erased. Simply touch Stop/Clear pad and reset the clock for the correct time of day.

STOP/CLEAR

Touch the Stop/Clear pad to:

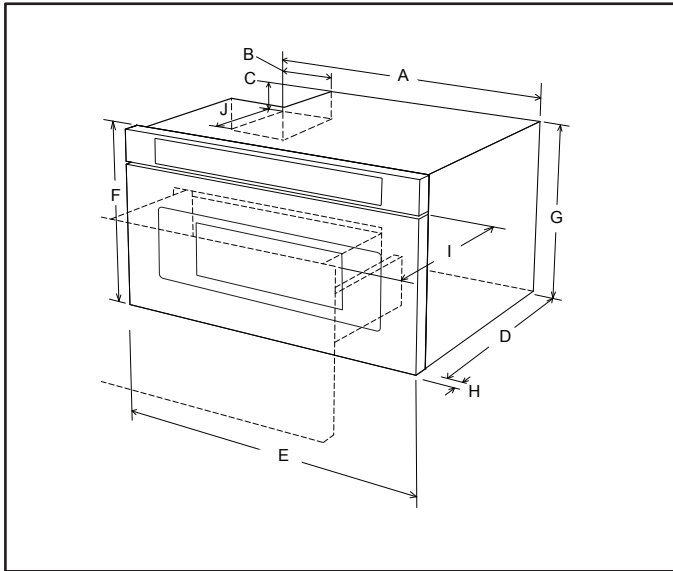
1. Erase if you make a mistake during programming.
2. Cancel timer.
3. Stop the oven temporarily during timed cooking.
4. Return the time of day to the display.
5. Cancel a program during cooking, touch twice.

OPEN OR CLOSE DRAWER MICROWAVE

Always Touch the OPEN or CLOSE pad on the control panel to open or close the Drawer Microwave.

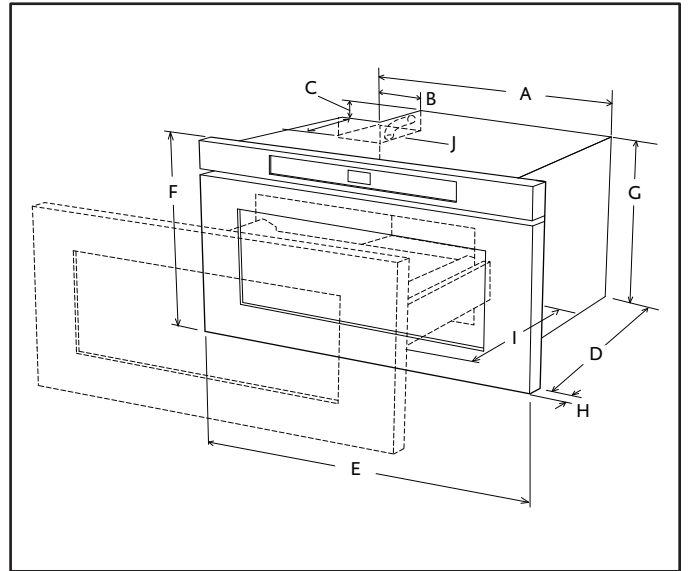
Do not push or pull the drawer by hand, except in case of emergency, such as a power failure. If necessary, push or pull slowly.

24" AND 30" DRAWER MICROWAVE DIMENSIONS



24" Drawer Microwave Dimensions

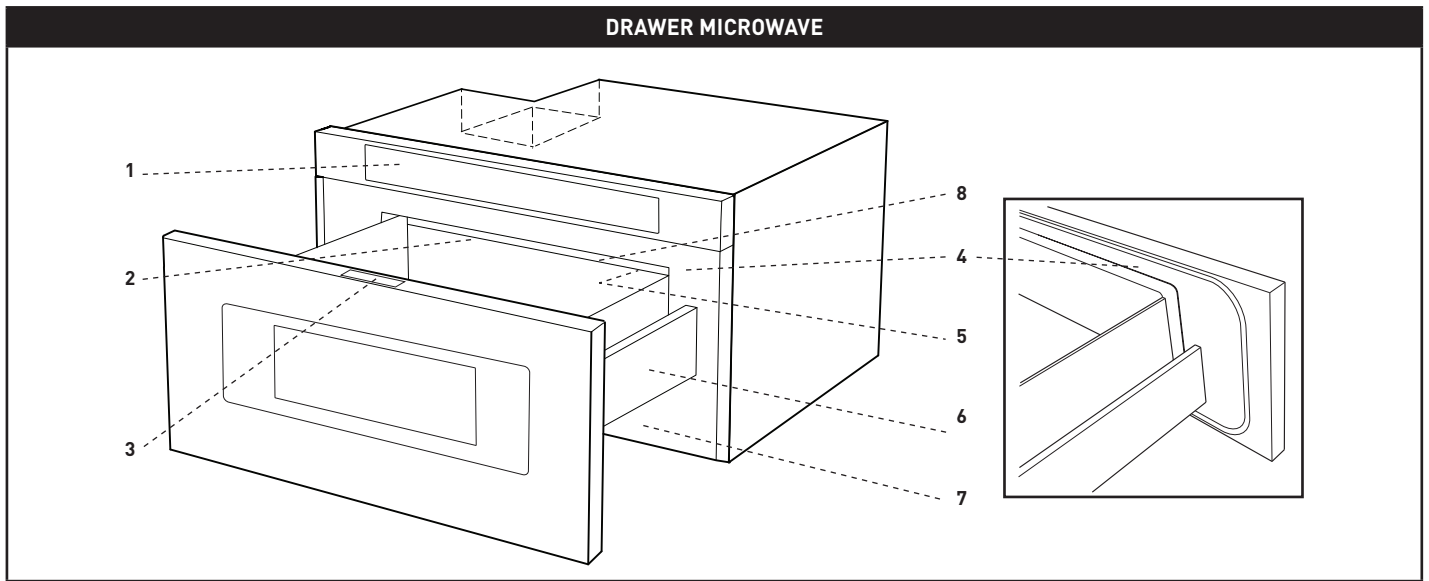
KEY	DESCRIPTION
A	21-5/8" (549.28 mm) unit width
B	4-11/16" (119.06 mm) cord recess width
C	1-3/4" (44.45 mm) cord recess height
D	21-7/8" (555.60 mm) unit depth without door
E	23-7/8" (606.43 mm) width of door face
F	15-7/8" (403.22 mm) height of door face
G	14-19/32" (370.69 mm) height of body
H	1-9/64" (29 mm) door thickness
I	15" (381 mm) auto drawer opening
J	4" (101.6 mm) cord recess depth



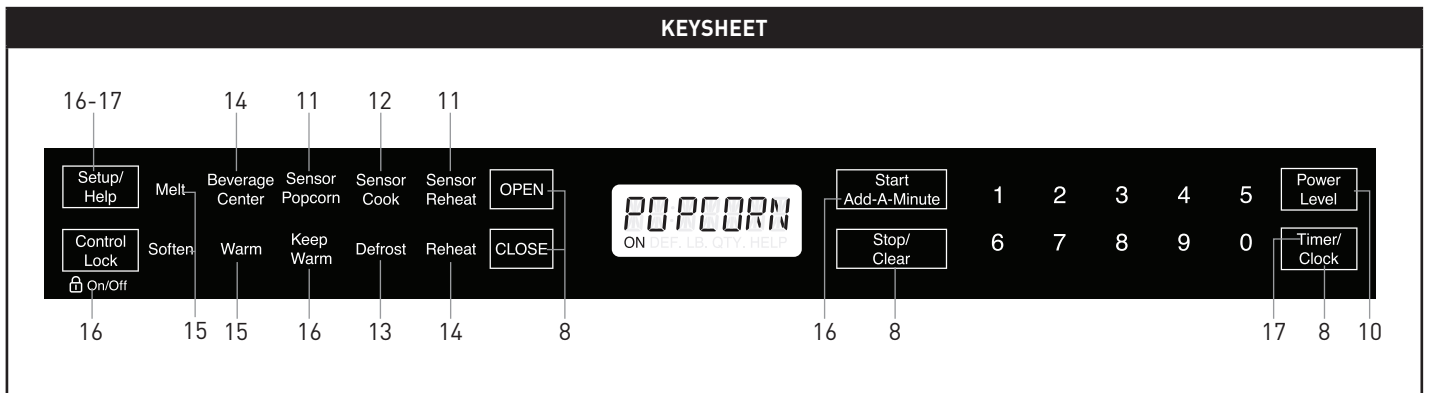
30" Drawer Microwave Dimensions

KEY	DESCRIPTION
A	21-5/8" (549.28 mm) unit width
B	4-11/16" (119.06 mm) cord recess width
C	1-3/4" (44.45 mm) cord recess height
D	21-7/8" (555.60 mm) unit depth without door
E	30" (762 mm) width of door face
F	15-7/8" (403.22 mm) height of door face
G	14-19/32" (370.69 mm) height of body
H	1-9/64" (29 mm) door thickness
I	15" (381 mm) auto drawer opening
J	4" (101.6 mm) cord recess depth

FEATURES AND CONTROL PANEL



- | | |
|---------------------------------|--|
| 1 Control panel | 6 Drawer Microwave guides |
| 2 Waveguide cover DO NOT REMOVE | 7 Vent |
| 3 Drawer Microwave Menu Label | 8 Nameplate: open the Drawer Microwave fully. The label is beyond the back wall of the microwave cavity facing up from the flat surface. |
| 4 Drawer sealing surfaces | |
| 5 Drawer light | |



Numbers next to the keysheet illustration indicate pages on which there are feature descriptions and usage information.

SETTINGS

TIME COOKING

Your Drawer Microwave can be programmed for 99 minutes 99 seconds (99.99). Always enter the seconds after the minutes, even if they are both zeros.

- Cook for 5 minutes at 100%
 1. Enter cooking time 5 0 0.
 2. Touch Start /Add-A-Minute pad.

TO SET POWER LEVEL

There are eleven preset power levels.

Using lower power levels increases the cooking time, which is recommended for foods such as cheese, milk and long slow cooking of meats. Consult a microwave cookbook or recipes for specific recommendations.

- Defrost for 5 minutes at 30%
 1. Enter defrost time 5 0 0.
 2. Touch Power Level 8 times.
 3. Touch Start /Add-A-Minute.

TOUCH POWER LEVEL PAD NUMBER OF TIMES FOR DESIRED POWER	APPROXIMATE PERCENTAGE OF POWER	COMMON WORDS FOR POWER LEVELS
Power Level x 1	100%	High
Power Level x 2	90%	
Power Level x 3	80%	
Power Level x 4	70%	Medium High
Power Level x 5	60%	
Power Level x 6	50%	Medium
Power Level x 7	40%	
Power Level x 8	30%	Med Low/Defrost
Power Level x 9	20%	
Power Level x 10	10%	Low
Power Level x 11	0%	

SENSOR SETTINGS

Sensor is a semi-conductor device that detects the vapor (moisture and humidity) emitted from the food as it heats. The sensor adjusts the cooking times and power levels for various foods and quantities.

- After the oven is plugged in, wait 2 minutes before using any sensor setting.
- Be sure the exterior of the cooking container and the interior of the oven are dry. Wipe off any moisture with a dry cloth or paper towel.
- The sensor works with foods at normal storage temperature. For example, popcorn would be at room temperature.
- Any sensor selection can be programmed with More or Less Time Adjustment. See page 16.
- More or less food than the quantity listed in the charts should be cooked following the guidelines in any microwave cookbook.
- During the first part of sensor use, the food name will appear on the display. Do not open the oven or touch Stop/Clear during this part of the cycle. The measurement of vapor will be interrupted. If this occurs, an error message will appear. To continue cooking, touch the Stop/Clear pad and cook manually.
- When the sensor detects the vapor emitted from the food, the remainder of cooking/reheating time will appear. The oven may be opened when the remaining time appears on the display. At this time, you may stir or season food, as desired.
- Except for Popcorn, if the sensor does not detect vapor properly when cooking other foods, **ERROR** will be displayed, and the microwave will turn off.
- Check food temperature after cooking. If additional time is needed, continue to cook manually.
- Each food has a cooking hint. Touch the Set Up/Help pad when the HELP indicator is lighted in the display.

COVERING FOODS

Some foods work best when covered. Use the cover recommended in the charts for these foods. You may refer to the hints by touching the Set Up/Help pad. See page 16.

- Casserole lid
- Plastic wrap: Use plastic wrap recommended for microwave cooking. Cover dish loosely; allow approximately 1/2 inch to remain uncovered to allow steam to escape. Plastic wrap should not touch food.
- Wax paper: Cover dish completely. Fold excess wrap under dish to secure. If dish is wider than paper, overlap two pieces at least one inch to cover.

Be careful when removing any covering to allow steam to escape away from you.

SETTINGS

SENSOR POPCORN / SENSOR REHEAT

You can pop popcorn and reheat many foods and don't need to calculate cooking time or power level.

Touch Sensor Reheat or Sensor Popcorn and Start/Add-A-Minute pad.

When the sensor detects the vapor emitted from the food, the remainder of cooking/reheating time will appear.

NOTE:

- The Sensor Popcorn setting has 2 choices. Follow directions in the display to choose desired option.

Sensor Popcorn / Sensor Reheat Chart

FOOD	AMOUNT	PROCEDURE
Sensor Popcorn	Only 1 package at a time 2.85 - 3.5 oz. (Regular / Regular light) 1.2 - 1.75 oz. (Mini / Snack)	Use only popcorn packaged for the microwave. Try several brands to decide which you like. Do not try to pop unpopped kernels. Touch Sensor Popcorn pad once. Touch Sensor Popcorn pad twice.
Sensor Reheat	4 - 36 oz.	Place in dish or casserole slightly larger than amount to be reheated. Flatten, if possible. Cover with lid, plastic wrap or wax paper. Use covers such as plastic wrap or lids with larger quantities of more dense foods such as stews. After reheating, stir well, if possible. Re-cover and allow to stand 2 to 3 minutes. Foods should be very hot. If not, continue to heat with variable power and time.

SETTINGS

SENSOR COOK

1. Touch Sensor Cook pad once.
2. See Menu Label. Select desired food by touching number pad. Ex: Touch 5 for baked potatoes.
3. Touch Start/Add-A-Minute pad.

NOTE:

- To heat or cook other foods or foods above or below the quantity allowed on the Sensor Cook Chart, cook manually.

Sensor Cook Chart

FOOD	AMOUNT	PROCEDURE															
1. Fresh vegetables: Quick Broccoli Brussels sprouts Cabbage Cauliflower (flowerets) Cauliflower (whole) Spinach Zucchini Baked apples	.25 - 2.0 lb .25 - 2.0 lb .25 - 2.0 lb .25 - 2.0 lb 1 med. .25 - 1.0 lb .25 - 2.0 lb 2 - 4 med.	Wash and place in casserole. Add no water if vegetables have just been washed. Cover with lid for tender vegetables. Use plastic wrap for tender-crisp vegetables. After cooking, stir, if possible. Let stand, covered, for 2 to 5 minutes.															
2. Fresh vegetables: Longer Carrots, sliced Corn on the cob Green beans Winter squash: diced halves	.25 - 1.5 lb 2 - 4 pcs .25 - 1.5 lb .25 - 1.5 lb 1 - 2 pcs	Place in casserole. Add 1-4 tablespoons water. Cover with lid for tender vegetables. Use plastic wrap cover for tender-crisp vegetables. After cooking, stir, if possible. Let stand, covered, for 2 to 5 minutes.															
3. Frozen vegetables	.25 - 1.25 lb	Add no water. Cover with lid or plastic wrap. After cooking, stir and let stand, covered, for 3 minutes.															
4. Frozen entrees	6 - 17 oz.	Use this pad for frozen convenience foods. It will give satisfactory results for most brands. You may wish to try several and choose your favorite. Remove package from outer wrapping and follow package directions for covering. After cooking, let stand, covered, for 1 to 3 minutes															
5. Baked potatoes 6. Sweet potatoes	1 - 6 med. 1 - 6 med.	Pierce. Place on paper-towel-lined Drawer Microwave. After cooking, remove from microwave, wrap in aluminum foil and let stand 5 to 10 minutes.															
7. Ground meat	.25 - 2.0 lb	Use this setting to cook ground beef or turkey as patties or in a casserole to be added to other ingredients. Place patties on a microwave-safe rack and cover with wax paper. Place ground meat in a casserole and cover with wax paper or plastic wrap. When microwave stops, turn patties over or stir meat in casserole to break up large pieces. Re-cover and touch Start/Add-A-Minute. After cooking, let stand, covered, for 2 to 3 minutes.															
8. Fish/Seafood	.25 - 2.0 lb	Arrange in ring around shallow glass dish (roll fillet with edges underneath). Cover with vented plastic wrap. After cooking, let stand, covered for 3 minutes.															
9. White rice 10. Brown rice	.5 - 2.0 cups .5 - 2.0 cups	Place rice into a deep casserole and add double quantity of water. Cover with lid or plastic wrap. After cooking, stir, cover and let stand 3 to 5 minutes or until all liquid has been absorbed. <table border="1" style="margin-left: auto; margin-right: auto;"> <thead> <tr> <th>Rice</th> <th>Water</th> <th>Size of casserole</th> </tr> </thead> <tbody> <tr> <td>.5 cup</td> <td>1 cup</td> <td>1.5 quart</td> </tr> <tr> <td>1 cup</td> <td>2 cups</td> <td>2 quart</td> </tr> <tr> <td>1.5 cups</td> <td>3 cups</td> <td>2.5 or 3 quart</td> </tr> <tr> <td>2 cups</td> <td>4 cups</td> <td>3 quart or larger</td> </tr> </tbody> </table>	Rice	Water	Size of casserole	.5 cup	1 cup	1.5 quart	1 cup	2 cups	2 quart	1.5 cups	3 cups	2.5 or 3 quart	2 cups	4 cups	3 quart or larger
Rice	Water	Size of casserole															
.5 cup	1 cup	1.5 quart															
1 cup	2 cups	2 quart															
1.5 cups	3 cups	2.5 or 3 quart															
2 cups	4 cups	3 quart or larger															

SETTINGS

DEFROST

Use this feature to defrost the foods shown in the Defrost Chart below.

1. Touch Defrost pad.
2. See Menu Label. Select desired food by touching the number pad. Ex: Touch 2 for steaks/chops.
3. Enter weight by touching number keys.
4. Touch Start /Add-A-Minute pad.
The oven will stop so that the food can be checked.
5. After the first stage, open the Drawer Microwave. Turn steak over and shield any warm portions. Close the Drawer Microwave. Touch Start /Add-A-Minute pad.
6. After the second stage, open the Drawer Microwave. Shield any warm portions. Close the Drawer Microwave. Touch Start /Add-A-Minute pad.
7. After defrost cycle ends, cover and let stand as indicated in the chart below.

NOTE:

- Defrost can be programmed with More or Less Time Adjustment. See page 16.
- To defrost other foods or foods above or below the weights allowed on the Defrost Chart, see Manual Defrost below.
- Check foods when oven signals. After final stage, small sections may still be icy. Let stand to continue thawing. Do not cook until all ice crystals are thawed.
- Shielding prevents cooking from occurring before the center of the food is defrosted. Use small smooth strips of aluminum foil to cover edges and thinner sections of the food.

Defrost Chart

FOOD	AMOUNT	PROCEDURE
1. Ground Meat	.5 - 2.0 lb	Pull apart and remove any thawed pieces after each stage. Let stand, covered, for 5 to 10 minutes.
2. Steaks/chops	.5 - 3.0 lb	After each stage, rearrange and if there are warm or thawed portions, shield with small flat pieces of aluminum foil. Remove any meat or fish that is nearly defrosted. Let stand, covered, for 10 to 20 minutes.
3. Boneless poultry	.5 - 2.0 lb	Use boneless breast of chicken or turkey. After each stage, if there are warm or thawed portions, rearrange or remove. Let stand, covered, for 10 to 20 minutes.
4. Bone-in poultry	.5 - 3.0 lb	Arrange pieces with meatiest portions toward outside of glass dish or microwave safe rack. After each stage, if there are warm or thawed portions, rearrange or remove. Let stand, covered, for 10 to 20 minutes.
5. Roast	2.0 - 4.0 lb	Start defrosting with fat side down. After each stage, turn roast over and shield the warm portions with aluminum foil. Let stand, covered, for 30 to 60 minutes.

MANUAL DEFROST

If the food that you wish to defrost is not listed on the Defrost Chart or is above or below the limits in the amount column on the Defrost Chart, you need to defrost manually.

You can defrost any frozen food, either raw or previously cooked, by using Power Level at 30%. Follow the exact 3-step procedure found under To Set Power Level on page 10. Estimate defrosting time and Touch Power Level pad eight times for 30% power.

For either raw or previously cooked frozen food the rule of thumb is approximately 4 minutes per pound. For example, defrost 4 minutes for 1 pound of frozen spaghetti sauce.

Always stop the oven periodically to remove or separate the portions that are defrosted. If food is not defrosted at the end of the estimated defrosting time, program the oven in 1 minute increments on Power Level 30% until totally defrosted.

When using plastic containers from the freezer, defrost only long enough to remove from the plastic in order to place in a microwave-safe dish.

SETTINGS

REHEAT

Reheat automatically computes the correct warming time and microwave power level for foods shown in the chart below.

1. Touch Reheat pad once.
2. See Menu Label. Select desired food by touching number pad. Ex: Touch 2 for frozen rolls or muffins.
3. Touch the number pad to select quantity. Ex: Touch 2 for 2 rolls or muffins.
4. Touch Start/Add-A-Minute pad.

NOTE:

- Reheat can be programmed with More or Less Time Adjustment. See page 16.
- To reheat other foods or foods above or below the quantity allowed on the Reheat Chart, heat manually.

Reheat Chart

FOOD	AMOUNT	PROCEDURE
1. Fresh Rolls/ Muffins	1 - 8 pcs	Use this pad to warm rolls, muffins, biscuits, bagels etc. Large items should be considered as 2 or 3 regular size. Arrange on plate; cover with paper towel. For refrigerated rolls or muffins, it may be necessary to double the entered amount to ensure the proper serving temperature. For example, enter quantity of 2 for 1 refrigerated muffin.
2. Frozen Rolls/ Muffins	1 - 8 pcs	Use this pad to warm frozen rolls, muffins, biscuits, bagels etc. Large items should be considered as 2 or 3 regular size. Arrange on plate; cover with paper towel.

BEVERAGE CENTER

Beverage Center enables you to reheat coffee or tea to restore to a more suitable drinking temperature or to make instant coffee or tea.

1. Touch Beverage Center pad once.
2. See Menu Label. Select desired selection by touching number pad. Ex: Touch 2 to make coffee.
3. Repeat touching same number pad to select quantity. Ex: Touch 2 two more times for 2 cups of coffee.
4. Touch Start/Add-A-Minute pad.

NOTE:

- Beverage Center can be programmed with More or Less Time Adjustment. See page 16.
- Should you attempt to enter more or less than the allowed amount, an error message will appear in the display.

Beverage Center Chart

FOOD	AMOUNT	PROCEDURE
1. Reheat beverage	.5 - 2.0 cups	This setting is good for restoring cooled beverage to a better drinking temperature. Touch number 1 pad for a 0.5 cup increase per touch. Stir after heating.
2. Hot water	1 - 6 cups	Use this setting for heating COLD TAP WATER to a temperature somewhat below the boiling point to make instant coffee or tea. Touch number 2 pad for 1 cup increase per touch. Stir liquid briskly before and after heating to avoid eruption.

SETTINGS

MELT / SOFTEN / WARM

Melt, Soften and Warm automatically compute the correct heating time and microwave power level for melting, softening and warming foods shown in the chart below.

1. Touch Melt pad once.
2. See Menu Label. Select desired food by touching number pad. Ex: Touch 2 for chocolate.
3. Repeat touching same number pad to select quantity. Ex: Touch 2 two more times for 1 square.
4. Touch Start/Add-A-Minute pad.

NOTE:

- Melt, Soften and Warm can be programmed with More or Less Time Adjustment. See page 16.
- To melt, soften or warm other food or foods above or below the quantity allowed on the Melt/Soften/Warm Chart, use manual operation.

Melt / Soften / Warm Chart

FOOD	AMOUNT	PROCEDURE
Melt		Use a Pyrex measuring cup. Cover with plastic wrap.
1. Butter	2 tbsp	After touching Melt, touch 1 two times for 2 tbsp.
	.5 cup	After touching Melt, touch 1 three times for .5 cup.
2. Chocolate	1 cup chips	After touching Melt, touch 2 two times for 1 cup chips.
	1 square	After touching Melt, touch 2 three times for 1 square.
Soften		DO NOT COVER.
1. Ice cream	1 pint	After touching Soften, touch 1 two times for 1 pint.
	.5 gallon	After touching Soften, touch 1 three times for .5 gallon.
2. Cream cheese	3 oz.	After touching Soften, touch 2 two times for 3 oz.
	8 oz.	After touching Soften, touch 2 three times for 8 oz.
Warm		Use a Pyrex measuring cup. DO NOT COVER.
1. Syrup	1/4 cup	After touching Warm, touch 1 two times for 1/4 cup.
	1/2 cup	After touching Warm, touch 1 three times for 1/2 cup.
2. Dessert toppings	1/4 cup	After touching Warm, touch 2 two times for 1/4 cup.
	1/2 cup	After touching Warm, touch 2 three times for 1/2 cup.

SETTINGS

KEEP WARM

Keep Warm allows you to keep food warm up to 30 minutes.

Direct use

1. Touch Keep Warm pad.
2. Enter desired time by touching the number keys. To enter 30 minutes, touch 3 0 0 0.
3. Touch Start /Add-A-Minute pad.

The oven will start. The display will show 30.00 and count down. **KEEP WARM** will be displayed intermittently during the countdown.

With Manual Cooking

1. Enter desired cooking time and power level.
2. Touch Keep Warm pad.
3. Enter desired warming time up to 30 minutes.
4. Touch Start /Add-A-Minute pad.

The operation will start. When the cooking time is complete, a long tone will sound and Keep Warm will start. The display will count down. **KEEP WARM** will be displayed intermittently during the countdown.

NOTE:

- If you attempt to enter more than 30 minutes for Keep Warm, an error message will appear in the display.
- Keep Warm cannot be programmed with Sensor Popcorn, Sensor Reheat, Sensor Cook, Defrost or Reheat.

MULTIPLE SEQUENCE COOKING

Your Drawer Microwave can be programmed for up to 4 automatic cooking sequences, switching from one power level setting to another automatically.

Sometimes cooking directions tell you to start on one power level and then change to a different power level. Your Drawer Microwave can do this automatically.

1. First enter cooking time. Then touch Power Level pad once for 100% cooking or repeat touching Power Level pad for a lower power level.
2. Enter second cooking time. Repeat touching Power Level pad for desired level. You can follow this procedure up to 4 times.
3. Touch Start /Add-A-Minute pad.

NOTE:

- If Power Level pad is touched once, **HIGH** will be displayed.
- If 100% is selected as the final sequence, it is not necessary to touch the Power Level pad.
- If you wish to know power level during cooking, simply touch the Power Level pad. As long as your finger is touching the Power Level pad, the power level will be displayed.
- Keep Warm can be programmed even if 4 cooking sequences have been set.

ADD-A-MINUTE

Add-A-Minute allows you to cook for a minute at 100% by simply touching the Add-A-Minute pad. You can also extend cooking time in multiples of 1 minute by repeatedly touching the Add-A-Minute pad during manual cooking.

NOTE:

- To use Add-A-Minute, touch pad within 3 minutes after cooking, closing the drawer or touching the Stop/Clear pad.
- Add-A-Minute cannot be used with Sensor settings, Reheat or Defrost.

MORE OR LESS TIME ADJUSTMENT

Should you discover that you like any of the Sensor, Reheat or Defrost settings slightly more done, touch the Power Level pad once after touching your selection. The display will show **MORE**.

For slightly less done, touch the Power Level pad twice after touching your selection. The display will show **LESS**.

HELP (IN THE DISPLAY)

Each setting of Sensor Reheat, Sensor Cook, Sensor Popcorn, Keep Warm, Reheat and Defrost has a cooking hint. If you wish to check, touch Set Up/Help whenever HELP is lighted in the Interactive Display for these and other manual operation hints.

CONTROL LOCK

The Control Lock prevents unwanted drawer operation such as by small children. The Drawer Microwave can be set so that the control panel and the automatic door mechanism are deactivated or locked.

To Lock

Touch Control Lock pad and hold for 3 seconds. The display shows **LOCK ON**.

To Unlock

Touch Control Lock pad and hold for 3 seconds. The display shows **LOCK OFF**.

The Control Lock is canceled when the electrical power supply to your oven is interrupted. Set the Control Lock again when power to the oven is restored.

SETUP/HELP

If the electrical power supply to your Drawer Microwave should be interrupted, the display will intermittently show **ENJOY YOUR MICROWAVE TOUCH CLEAR AND TOUCH CLOCK** after the power is reinstated. If this occurs, the Setup/Help option you input will be erased. Simply touch Stop/Clear pad and reset.

SETTINGS

AUDIBLE SIGNAL ELIMINATION

At the end of timed cook, beeps will sound. The audible signal can be turned off if you prefer quiet operation.

To Turn Sound Off

1. Touch Setup/Help pad.
2. Touch Setup/Help pad again.
3. Touch Start /Add-A-Minute pad. The display shows **SOUND OFF**.

To Restore Sound

1. Touch Setup/Help pad.
2. Touch Setup/Help pad again.
3. Touch Start /Add-A-Minute pad. The display shows **SOUND ON**.

END OF COOKING REMINDER

At end of timed cooking, the microwave will signal every 10 seconds for the first minute, then every 3 minutes until Stop/Clear pad is touched, up to one hour.

To Turn Reminder Off

1. Touch Setup/Help pad three times. The display shows **REMIND SIGNAL OFF? TOUCH START**.
2. Touch Start /Add-A-Minute pad. The display shows **REMIND SIGNAL OFF**.

To Turn Reminder Signal Back On

1. Touch Setup/Help pad three times. The display shows **REMIND SIGNAL ON? TOUCH START**.
2. Touch Start /Add-A-Minute pad. The display shows **REMIND SIGNAL ON**.

AUTO START

If you wish to program the Drawer Microwave to begin cooking automatically at a designated time of day, follow this procedure.

1. Touch Setup/Help pad 4 times. The display shows **AUTO START TOUCH START**.
2. Touch Start /Add-A-Minute pad.
3. Enter start time.
4. Touch Timer/Clock pad.
5. Touch the number keys to enter cooking time.
Touch Power Level pad repeatedly until the desired power level is reached.
6. Touch Start /Add-A-Minute pad.

DEMONSTRATION MODE

To Select Demo Mode

1. Touch Setup/Help pad five times. The display shows **DEMO ON? HOLD START 3 SEC**.
2. Hold Start /Add-A-Minute pad for 3 seconds. The display shows **DEMO ON**.

To Cancel Demo Mode

1. Touch Setup/Help pad five times. The display shows **DEMO OFF? TOUCH START**.
2. Touch Start /Add-A-Minute pad. The display shows **DEMO OFF**.

NOTE:

- Drawer Microwave doesn't heat in Demo Mode.
- Display counts down quickly.

TIMER

1. Touch Timer/Clock pad and number 1.
2. Enter time.
3. Touch Timer/Clock pad again.

To cancel timer, touch Stop/Clear.

STANDBY MODE

This microwave will go into standby mode after a period of inactivity. The backlight of the display will automatically dim after 3 minutes if the unit has not been in operation. If the display is in standby mode, simply touch the control panel or open/close the door to return the backlight to maximum brightness.

CLEANING AND MAINTENANCE

Any piece of equipment works better and lasts longer when maintained properly and kept clean. Cooking equipment is no exception. Your Drawer Microwave must be kept clean and maintained properly.

Disconnect the power cord before cleaning or leave the door open to inactivate the oven during cleaning.

EXTERIOR

The outside surface is precoated metal and plastic. Clean the outside with mild soap and water; rinse and dry with a soft cloth. Do not use any type of household or abrasive cleaner.

STAINLESS STEEL SURFACE

The exterior should be wiped often with a soft damp cloth and polished with a soft dry cloth to maintain its beauty. There are also a variety of products designed especially for cleaning and shining the stainless exterior of the oven. We recommend that the cleaner be applied to a soft cloth and then carefully used on the stainless exterior rather than sprayed directly on to it. Follow package directions carefully.

FRONT SIDE OF THE DRAWER

Wipe the window on both sides with a soft damp cloth to remove any spills or splatters. Metal parts will be easier to maintain if wiped frequently with a soft damp cloth. Avoid the use of spray and other harsh cleaners as they may stain, streak or dull the drawer surface.

TOUCH CONTROL PANEL

If desired, the touch keys may be deactivated before cleaning. See the Control Lock information on page 16 of this manual. Wipe the panel with a cloth dampened slightly with water only. Dry with a soft cloth. Do not scrub or use any sort of chemical cleaners. Close drawer and follow directions on page 16 for turning Control Lock off. Touch Stop/Clear.

DRAWER GUIDES

Remove the food crumbs from the drawer guides. Wipe with a soft dry cloth in order to keep the Drawer Microwave opening and closing smoothly.

INTERIOR

Before cleaning the the Drawer Microwave, touch and hold the Control Lock button for 3 seconds to lock the control pad and the automatic door mechanism. The drawer can be locked in either the open or closed position. The display will show **LOCK ON**. This will prevent the drawer from accidentally opening or closing during cleaning. After cleaning, touch and hold the Control Lock button for 3 seconds to turn the lock off. The display will show **LOCK OFF**.

Cleaning is easy because no heat is generated to the interior surfaces; therefore, there is no baking and setting of spills or splattering. To clean the interior surfaces, including drawer sealing surfaces, wipe with a soft damp cloth. **DO NOT USE ABRASIVE OR HARSH CLEANERS OR SCOURING PADS**. For heavier soil, use mild soap; wipe clean with a soft damp cloth. Do not use any chemical oven cleaners.

WAVEGUIDE COVER

ATTENTION The waveguide cover, located on the inside top of the Drawer Microwave area, is made from mica, so it requires special care. Keep the waveguide cover clean to assure good microwave performance. Carefully wipe with a soft damp cloth any food splatters from the surface of the cover immediately after they occur. Built-up splashes may overheat and cause smoke or possibly catch fire. Do not remove the waveguide cover.

ODOR REMOVAL

Occasionally, a cooking odor may remain in the Drawer Microwave. To remove odor, combine 1 cup water, grated peel and juice of one lemon and several whole cloves in a 2-cup glass microwave-safe measuring cup. Boil for several minutes using 100% power. Leave in the Drawer Microwave until water cools. Wipe interior with a soft cloth.

BEFORE YOU CALL FOR SERVICE

Please check the following before calling for service. It may save you time and expense.

PROBLEM	POSSIBLE CAUSE	SOLUTION
1. Part or all of Drawer Microwave does not operate.	<ul style="list-style-type: none"> • Power cord of Drawer Microwave is not completely connected to the electrical outlet. • Power outage. • Fuse/circuit breaker at home doesn't work. • Drawer Microwave is in Demonstration Mode. 	<ul style="list-style-type: none"> • Make sure the power cord is tightly connected to the outlet. • Check house lights to be sure. Call your local electric company for service. • Replace the fuse or reset the circuit breaker. • See page 17 for how to cancel Demonstration Mode.
2. Food in Drawer Microwave is not heated.	<ul style="list-style-type: none"> • No power to the appliance. • Drawer Microwave controls improperly set. • Drawer Microwave is in Demonstration Mode. 	<ul style="list-style-type: none"> • See SOLUTION for PROBLEM 1. • Check if the controls have been properly set. • See page 17.
3. Drawer Microwave light does not work.	<ul style="list-style-type: none"> • Light bulb is loose or burned out. 	<ul style="list-style-type: none"> • Call for service.
4. Touch controls will not operate.	<ul style="list-style-type: none"> • Control Lock is on. 	<ul style="list-style-type: none"> • See page 16 to unlock.
5. Display flashes.	<ul style="list-style-type: none"> • Power failure. 	<ul style="list-style-type: none"> • Touch Clear pad and reset the clock. If the Drawer Microwave was in use, you must reset the cooking function.
6. Steam from the vent.	<ul style="list-style-type: none"> • During microwaving, steam may come from the right side of the vent. 	

PRÉCAUTIONS POUR ÉVITER LE RISQUE D'UNE EXPOSITION AUX MICRO-ONDES

- Ne pas essayer de faire fonctionner ce four avec la porte ouverte puisque le fonctionnement avec la porte ouverte peut entraîner une exposition dangereuse à l'énergie micro-onde. Il est important de ne pas enlever ou modifier les verrouillages de sécurité.
- Ne pas placer d'objet entre l'avant du four et la porte ou laisser s'accumuler de la saleté ou des résidus de nettoyant sur les surfaces d'étanchéité.
- Ne pas faire fonctionner le four s'il est endommagé. Il est particulièrement important que la porte du four ferme bien et qu'il n'y ait pas de dommages: (1) à la tête du tiroir (tordue), (2) aux glissières et verrous (brisés ou avec du jeu), (3) aux joints et aux surfaces d'étanchéité du tiroir.
- Seul du personnel qualifié en réparations doit ajuster ou réparer ce four.

AVERTISSEMENT :

Cet équipement produit et utilise de l'énergie des bandes de fréquences ISM (industrielles, scientifiques et médicales); s'il n'est pas installé et utilisé correctement, c'est-à-dire rigoureusement selon les instructions du fabricant, il est susceptible de causer de l'interférence à la réception des ondes radio et de télévision.

Suite à des tests, il a été déterminé qu'il se conforme aux limites prescrites aux équipements ISM conformément à la section 18 des règles de la CFC, qui sont conçues pour offrir une protection raisonnable contre de telles interférences dans une installation résidentielle.

Cependant, il n'est pas garanti qu'aucune interférence ne se produira dans une installation particulière.

Si cet appareil cause de l'interférence à la réception des ondes radio ou de télévision, ce qui peut se vérifier en allumant et en éteignant l'appareil, nous encourageons l'utilisateur à tenter de corriger les interférences par l'une ou plusieurs des méthodes suivantes

- Réorienter l'antenne de réception de la radio ou du téléviseur.
- Déplacer le four à micro-ondes par rapport à l'appareil récepteur.
- Placer le four à micro-ondes plus loin de l'appareil récepteur.
- Brancher le four à micro-ondes dans une prise différente pour que le four à micro-ondes et l'appareil récepteur soient sur des circuits différents.

LE FABRICANT n'est pas responsable des interférences aux ondes radio ou de télévision causées par une MODIFICATION NON AUTORISÉE de ce four à micro-ondes. C'est la responsabilité de l'utilisateur de corriger cette interférence.

TABLE DES MATIÈRES

PRÉCAUTIONS POUR ÉVITER LE RISQUE D'UNE EXPOSITION AUX MICRO-ONDES	1	DÉCONGÉLATION MANUELLE	13
ASSISTANCE À LA CLIENTÈLE	1	REHEAT (RÉCHAUFFAGE)	14
PRÉCAUTIONS IMPORTANTES	3	BEVERGE CENTER (CENTRE DE BOISSONS).....	14
INFORMATIONS IMPORTANTES QUE VOUS DEVEZ SAVOIR ... 4	4	MELT / SOFTEN / WARM(FONDRE / RAMOLLIR / CHAUFFER).....	15
SUR LE DÉBALLAGE ET L'ÉVALUATION DE VOTRE FOUR		KEEP WARM (RÉCHAUD)	16
DRAWER MICROWAVE	4	USAGE DIRECT.....	16
INTERFÉRENCE RADIO OU TÉLÉVISION.....	4	CUISSON À SÉQUENCES MULTIPLES	16
AVANT D'UTILISER LE FOUR DRAWER MICROWAVE.....	4	ADD-A-MINUTE	16
SÉCURITÉ DE LA BATTERIE DE CUISINE.....	4	RÉGLAGE DE DURÉE EN PLUS OU EN MOINS.....	16
SÉCURITÉ DES ENFANTS.....	5	HELP (AIDE - SUR L'AFFICHAGE).....	16
SÉCURITÉ DES ALIMENTS.....	6	CONTROL LOCK (VERROUILLAGE DES COMMANDES)	16
SÉCURITÉ DE LA CUISSON	6	SETUP/HELP (RÉGLAGES/AIDE).....	17
À PROPOS DES ALIMENTS.....	7	ÉLIMINATION DE SIGNAL SONORE	17
AVANT L'UTILISATION	8	RAPPEL FIN DE CUISSON	17
RÉGLAGE DE L'HORLOGE.....	8	TIMER (MINUTEUR)	17
STOP/CLEAR (ARRÊT/ANNULATION)	8	MISE EN MARCHÉ AUTOMATIQUE.....	17
OUVERTURE OU FERMETURE DU TIROIR	8	MODE DE DÉMONSTRATION	17
CARACTÉRISTIQUES ET PANNEAU DE COMMANDES.....	9	MODE VEILLE.....	17
RÉGLAGES	10	NETTOYAGE ET ENTRETIEN	18
TEMPS DE CUISSON	10	EXTÉRIEUR	18
RÉGLAGE DU NIVEAU DE PUISSANCE	10	SURFACE EN ACIER INOXYDABLE.....	18
CUISSON COMMANDÉE PAR CAPTEUR	10	AVANT DU TIROIR	18
MANIÈRES DE COUVRIR LES ALIMENTS	10	TABLEAU DE COMMANDES	18
SENSOR POPCORN / SENSOR REHEAT (MAIS SOUFFLÉ AU		INTÉRIEUR	18
CAPTEUR / RÉCHAUFFAGE AU CAPTEUR).....	11	GLISSIÈRES DU MICRO-ONDE TIROIR	18
SENSOR COOK (CUISSON AU CAPTEUR)	11	COUVERCLE DU GUIDE D'ONDES.....	18
DEFROST (DÉCONGÉLATION)	13	DÉSODORISATION	18
		AVANT D'APPELER UN TECHNICIEN	19
		GARANTIE ET ENREGISTREMENT DU PRODUIT	20

PRÉCAUTIONS IMPORTANTES

Certaines précautions de sécurité devraient toujours être prises lorsqu'on se sert d'appareils électriques :

AVERTISSEMENT - Pour réduire les risques de brûlures, de chocs électriques, de feu, de blessures ou d'exposition aux micro-ondes :

1. Lire toutes les instructions avant de se servir de l'appareil.
2. Lire et suivre les PRÉCAUTIONS POUR ÉVITER LE RISQUE D'UNE EXPOSITION AUX MICRO-ONDES à la page 1.
3. Cet appareil doit être mis à la terre. Brancher seulement à une prise à trois broches. Se reporter aux «INSTRUCTIONS DE MISE À LA TERRE ÉLECTRIQUES», à la page 4.
4. Installer ou placer l'appareil conformément aux instructions d'installation fournies.
5. Certains produits comme des oeufs entiers et des contenants scellés – par exemple des bocaux en verre fermés – peuvent exploser et ne devraient pas être utilisés dans ce four.
6. N'utiliser cet appareil qu'aux fins décrites dans ce manuel. Ne pas utiliser de produits corrosifs dans le four à micro-ondes. Ce four a été conçu pour la cuisson et le séchage des aliments, et non pour un usage industriel ou des laboratoire.
7. LE CONTENU CHAUD PEUT PROVOQUER DE GRAVES BRÛLURES. NE LAISSEZ PAS LES ENFANTS UTILISER LE FOUR À MICRO-ONDES. Soyez prudent lorsque vous retirez des objets chauds.
8. Ne pas faire fonctionner l'appareil si le cordon ou la fiche sont endommagés, si l'appareil ne fonctionne pas bien ou s'il a été endommagé ou est tombé.
9. Cet appareil ne doit être réparé que par du personnel de service autorisé. Communiquer avec le service de réparations autorisé THOR le plus proche pour un examen, une réparation ou un réglage.
10. Ne pas couvrir ni bloquer d'ouverture de l'appareil.
11. Ne pas ranger ou utiliser cet appareil à l'extérieur. Ne pas utiliser ce produit près de l'eau —par exemple, près d'un évier de cuisine, dans un sous-sol humide, près d'une piscine ou autre endroit semblable.
12. Ne pas immerger le cordon ou la fiche dans l'eau.
13. Tenir le cordon loin des surfaces chauffées.
14. Ne pas monter ou s'asseoir sur de l'appareil.
15. Assurez-vous de ne pas tenir vos doigts ou autres objets ou matériaux près de l'ouverture du tiroir quand le l'appareil est fermé.
16. Ne pas placer les doigts ou des vêtements près des glissières du tiroir lors de l'ouverture ou de la fermeture du l'appareil. Il pourrait être pris dans les glissières lors de la fermeture du tiroir.
17. Vérifier que la nourriture ou le contenant sont plus petits que du tiroir avant de le fermer. Vous pouvez vous reporter à la hauteur des parois latérales cet appareil.
18. Lors du nettoyage des surfaces d'étanchéité qui viennent en contact lors de la fermeture l'appareil, utiliser uniquement des savons ou des détergents doux non abrasifs à l'aide d'une éponge ou d'un chiffon doux. Voir les consignes de nettoyage à la page 18.
19. Pour réduire le risque d'incendie dans la cavité du l'appareil:
 - a. Ne pas trop faire cuire les aliments. Rester prudemment près du four lorsqu'on utilise du papier, du plastique ou tout autre matériel combustible pour faciliter la cuisson.
 - b. Retirer les attaches de métal des sacs de papier ou de plastique avant de mettre les sacs au four.
 - c. Si les matériaux à l'intérieur du l'appareil prennent feu, garder la porte du four fermée, arrêter le four et couper l'électricité au fusible ou au panneau d'entrée.
 - d. Ne pas utiliser la cavité comme espace de rangement. Ne laisser ni papier, ni ustensiles de cuisson, ni aliments dans l'appareil lorsque l'appareil n'est pas utilisé.
20. Des liquides comme l'eau, le café ou le thé peuvent chauffer au-delà du point d'ébullition sans qu'aucun bouillonnement n'apparaisse à cause de la tension de surface du liquide. Ainsi, quand le contenant est retiré du l'appareil, il peut ne pas y avoir d'ébullition ou de bouillonnement apparents. IL PEUT EN RÉSULTER UN DÉBORDEMENT DES LIQUIDES TRÈS CHAUDS LORSQU'UNE CUILLER OU UN AUTRE USTENSILE EST PLONGÉ DANS LE LIQUIDE.

Pour réduire le risque de blessures personnelles :

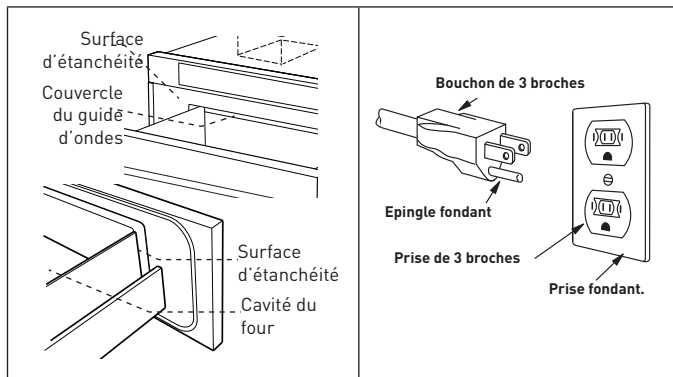
 - a. Ne pas trop chauffer le liquide.
 - b. Remuer le liquide et avant de le chauffer et à mi-cuisson.
 - c. Ne pas utiliser de contenants à bords droits et à goulot mince. Utiliser un bocal à large goulot.
 - d. Après le chauffage, laisser reposer le contenant dans le four à l'appareil pour au moins 20 secondes avant de le retirer.
 - e. Faire très attention lorsque vous mettez une cuiller ou un autre ustensile dans le contenant.
21. Si la lumière du four ne s'allume pas, communiquer avec un BUREAU DE SERVICE AUTORISÉ.

CONSERVER CE MODE D'EMPLOI

INFORMATIONS IMPORTANTES QUE VOUS DEVEZ SAVOIR

SUR LE DÉBALLAGE ET L'ÉVALUATION DE VOTRE FOUR DRAWER MICROWAVE

1. Retirez tout le matériau d'emballage qui se trouve dans le Four Drawer Microwave. N'ENLEVEZ PAS LE COUVERCLE DU GUIDE D'ONDES, qui se trouve sur le dessus du Four Drawer Microwave.
2. Enlevez l'autocollant descriptif, s'il y en a un. Vérifiez le tiroir pour des dommages éventuels, tels un mauvais alignement ou un tiroir tordu, des surfaces d'étanchéité endommagées sur le tiroir et sur les surfaces, des glissières cassées ou lâches et des enfoncements dans la cavité ou sur la face avant du tiroir. En cas de dommages, n'utilisez pas le Four Drawer Microwave : contactez votre AGENT DE SERVICE AGRÉÉ.



INSTRUCTIONS DE MISE À LA TERRE ÉLECTRIQUES

Cet appareil doit être mis à la terre. En cas de court-circuit électrique, la mise à la terre réduit les risques de choc électrique en permettant au courant de s'échapper par le fil de mise à la terre. Ce four est équipé d'un cordon d'alimentation avec fil de mise à la terre, et d'une fiche de mise à la terre. Il faut le brancher dans une prise murale correctement installée correctement et mise à la terre selon le Code national de l'électricité et les codes et décrets locaux.

AVERTISSEMENT :

Un mauvais usage de la prise de terre peut causer des chocs électriques.

Ne pas utiliser une rallonge. Si le cordon d'alimentation est trop court, un électricien qualifié d'installer une prise près de l'appareil.

Si vous avez des questions au sujet de la mise à la terre ou des instructions électriques, consulter un électricien ou un service personne qualifiée.

NOTA :

- Pour toute question à propos de l'installation électrique ou de la mise à la terre, consulter un électricien de métier ou un réparateur qualifié.
- Ni THOR ni le détaillant ne peuvent être tenus responsables

des dommages au four ou des blessures causés par une installation qui ne respecte pas les normes.

INTERFÉRENCE RADIO OU TÉLÉVISION

Si le Four Drawer Microwave provoque des parasites à votre radio ou à votre téléviseur, vérifiez que le Four Drawer Microwave est branché sur un circuit électrique différent et éloignez la radio ou le téléviseur autant que possible du tiroir, ou bien vérifiez le positionnement et le signal de l'antenne réceptrice.

AVANT D'UTILISER LE FOUR DRAWER MICROWAVE

S'assurer à ce qu'il y ait TOUJOURS des aliments dans le four lorsqu'il est allumé, de sorte qu'ils absorbent l'énergie produite.

Il ne faut pas bloquer la sortie d'air sur le dessous du Four Drawer Microwave. Lorsque le micro-ondes fonctionne, il se peut que de la vapeur échappe du côté droit de cette sortie d'air.

Lors d'utiliser le Four Drawer Microwave à des allures en dessous de 100%, il se peut que vous entendiez le fonctionnement cyclique du magnétron. Il est normal que l'extérieur du Four Drawer Microwave soit chaud au toucher pendant la cuisson ou le réchauffage.

La condensation est normale pendant la cuisson au micro-ondes. L'humidité ambiante et la teneur en humidité de l'aliment influenceront sur le niveau de condensation dans le Four Drawer Microwave. En règle générale, les aliments recouverts produiront moins de condensation que des aliments non recouverts.

Le Four Drawer Microwave est seulement pour préparer des aliments. Il ne faut pas l'utiliser pour sécher des vêtements ou des journaux.

Votre Four Drawer Microwave a une puissance nominale de 950 watts selon la procédure d'épreuve IEC. Quand vous suivez des recettes ou des modes d'emploi sur l'emballage de l'aliment, vérifiez l'aliment une minute ou deux avant l'échéance du temps de cuisson minimum, puis ajoutez du temps au besoin.

Si l'on ouvre ou ferme rapidement le Four Drawer Microwave, il se peut que l'aliment soit déversé ou renversé. Pour nettoyer, consultez la section d'entretien et de nettoyage à la page 18.

SÉCURITÉ DE LA BATTERIE DE CUISINE

- Utiliser des manicles sèches et solides. Les manicles humides pourraient causer des brûlures de vapeur. Il **NE** faut **JAMAIS** se servir de linges à vaisselle ou autres substituts, car ils pourraient trainer sur des éléments chauds et prendre en feu ou être pris dans les pièces de l'appareil.
- **NE PAS** chauffer de contenants fermés d'aliments; de la pression pourrait s'accumuler, faire exploser le contenant et causer des blessures.

INFORMATIONS IMPORTANTES QUE VOUS DEVEZ SAVOIR

- Faire attention en ouvrant la porte du four à micro-ondes. Laisser l'air chaud ou la vapeur s'échapper avant de retirer ou de remettre des aliments.
- **AVERTISSEMENT RELATIF AUX ALIMENTS PRÉPARÉS** : Observer les instructions du fabricant des aliments. Si un contenant en plastique d'aliments congelés ou son couvercle se déforme, gauchit ou est autrement endommagé durant la cuisson, jeter immédiatement les aliments et le contenant. Les aliments peuvent être contaminés.

Il n'est pas nécessaire d'acheter une nouvelle batterie de cuisine. La plupart des ustensiles dont on dispose habituellement dans un ménage peuvent être utilisés dans le four à micro-ondes. S'assurer que les ustensiles ne touchent pas les parois intérieures pendant la cuisson.

On peut utiliser les ustensiles et matériaux suivants pour cuire et réchauffer sans danger dans un four à micro-ondes :

- la vitrocéramique (Pyroceram®), comme Corningware®
- le verre résistant à la chaleur (Pyrex®)
- les plastiques pour micro-ondes
- les assiettes en papier
- la céramique, la poterie, la porcelaine pour micro-ondes
- les plats à brunir (ne pas dépasser les temps de préchauffage recommandés. Suivre les instructions du fabricant.)

Les articles suivants peuvent être utilisés pour le réchauffage très court des aliments qui contiennent peu de sucre ou de graisses :

- le bois, la paille et l'osier

NE PAS UTILISER

- des poêles et des plats de cuisson métalliques
- des plats à bordure métallique
- du verre qui ne résiste pas à la chaleur
- des plastiques qui ne conviennent pas aux micro-ondes (contenants de margarine)
- des produits en papier recyclé
- des sacs en papier
- des sacs pour la conservation des aliments
- des attaches métalliques

Pour vérifier si un plat va au four à micro-ondes, le placer dans le four et mettre le four en marche à la puissance maximale pendant 30 secondes. Si le plat devient très chaud, il ne faut pas l'employer.

Les produits et articles suivants peuvent être utilisés pour couvrir les plats, récipients, etc. :

- Les essuie-tout conviennent bien pour recouvrir les aliments pendant le réchauffage et pour absorber la graisse de cuisson du bacon.

- Le papier ciré peut être employé pour la cuisson et le réchauffage.
- Le film plastique destiné spécialement à l'usage en four à micro-ondes peut être utilisé pour la cuisson et le réchauffage. Le film plastique ne doit JAMAIS entrer en contact avec les aliments. Faire une ouverture pour laisser la vapeur s'échapper.
- Les couvercles pour micro-ondes sont un très bon choix, car ils concentrent la chaleur sur les aliments et accélèrent la cuisson.
- Les sacs de cuisson au four conviennent pour les grosses pièces de viande ou les aliments à attendrir. **NE PAS UTILISER** d'attaches métalliques. Percer le sac pour laisser s'échapper la vapeur.
- Utilisation du papier d'aluminium dans le four à micro-ondes :
- Un petit morceau non froissé de papier d'aluminium posé sur les aliments peut être utilisé pour protéger les parties qui décongèlent ou cuisent trop rapidement.
- Le papier d'aluminium doit être à au moins 2,5 cm des parois du four.

Pour toute question concernant les ustensiles ou la manière de couvrir les aliments, consulter un bon livre de cuisine spécialisé en micro-ondes ou suivre les conseils de la recette.

Accessoires

De nombreux accessoires pour four à micro-ondes sont offerts sur le marché. Évaluer soigneusement ses besoins avant d'en faire l'acquisition. Un thermomètre pour micro-ondes permettra de vérifier la cuisson et de s'assurer que les aliments sont cuits à point et à la bonne température. THOR n'est pas responsable des dommages au four résultant de l'utilisation d'accessoires.

SÉCURITÉ DES ENFANTS

- **LE CONTENU CHAUD PEUT PROVOQUER DE GRAVES BRÛLURES. NE LAISSEZ PAS LES ENFANTS UTILISER LE FOUR À MICRO-ONDES.**
- L'enfant doit être capable d'atteindre facilement le four; sinon, le faire monter sur un tabouret robuste et stable.
- Les enfants doivent savoir qu'un four à micro-ondes n'est pas un jouet. Voir la page 16 pour obtenir des renseignements sur le verrouillage de sécurité.

INFORMATIONS IMPORTANTES QUE VOUS DEVEZ SAVOIR

SÉCURITÉ DES ALIMENTS

- Coloque el alimento en el centro de la cavidad de horno. Posez l'aliment au centre de la cavité du four. Disposer les aliments avec soin. Placer la partie la plus épaisse des aliments vers l'extérieur du plat.
- Surveiller le temps de cuisson. Cuire les aliments pendant la plus courte période indiquée et prolonger la cuisson au besoin. Des aliments trop cuits peuvent fumer ou prendre feu.
- Recouvrir les aliments pendant la cuisson. Selon la recette ou le livre de cuisine, utiliser un essuie-tout, du papier ciré, un film plastique allant au micro-ondes ou un couvercle. Couvrir les aliments empêche les éclaboussures et leur permet de cuire de manière uniforme.
- Protéger les parties de viande ou de volaille très minces par des petits écrans en papier d'aluminium pour éviter qu'ils ne cuisent trop vite par rapport aux parties plus épaisses.
- Si possible, remuer les aliments de l'extérieur du plat vers le centre une ou deux fois pendant la cuisson.
- Retourner les aliments comme du poulet et des galettes de viande une fois au cours de la cuisson afin d'accélérer le processus. Il faut retourner les grosses pièces comme les rôtis au moins une fois.
- Au milieu de la cuisson, déplacer les aliments comme les boulettes de viande, de l'intérieur du plat vers l'extérieur, et du haut vers le bas.
- Prévoir du temps de repos. Retirer les aliments du four et, si possible, les remuer. Couvrir les aliments pendant ce temps pour leur permettre de finir de cuire.
- Vérifier la cuisson. Rechercher les signes qui indiquent que les aliments sont cuits à point.

Ces signes incluent :

- La vapeur s'élève de toute la surface des aliments, pas seulement des bords.
- Le fond du plat est très chaud au toucher.
- Les cuisses de poulet se détachent facilement.
- La viande et la volaille ne présentent plus de parties rosées.
- Le poisson est opaque et se défait facilement à la fourchette.

SÉCURITÉ DE LA CUISSON

- Vérifiez que les aliments sont cuits conformément aux températures recommandées par le United States Department of Agriculture (Ministère de l'agriculture des États-Unis).

TEMP	ALIMENT
145°F (63°C)	Poisson
160°F (71°C)	Le porc, le bœuf haché / veau / agneau, plats d'oeufs
165°F (74°C)	Pour les restes de table, les aliments réfrigérés prêts-à-réchauffer, et les aliments frais d'un traiteur ou l'équivalent. Ensemble, et le sol des morceaux de dinde / poulet / canard
170°F (74°C)	La viande blanche de volaille
180°F (74°C)	La viande sombre de volaille

Pour vérifier que les aliments sont cuits à point, insérer un thermomètre à viande dans un endroit épais, à l'écart de la graisse et des os. Ne JAMAIS laisser le thermomètre dans les aliments qui cuisent, sauf s'il est approuvé pour emploi aux micro-ondes.

- TOUJOURS utiliser des gants isolants pour éviter des brûlures lorsque l'on se sert d'ustensiles en contact avec des aliments chauds. La chaleur transférée des aliments aux ustensiles peut provoquer des brûlures.
- Diriger la vapeur loin du visage et des mains afin d'éviter des brûlures. Soulever doucement la partie la plus éloignée des couvercles et des pellicules et ouvrir lentement les sacs de maïs soufflé ou de cuisson en les tenant loin du visage.
- Rester près du four quand il fonctionne et vérifier fréquemment la cuisson afin d'éviter de trop cuire les aliments.
- Ne JAMAIS entreposer des livres de cuisine ou autres objets dans la cavité du four.
- Choisir, entreposer et manipuler la nourriture de manière à préserver sa qualité et à minimiser la prolifération de bactéries alimentaires.
- Garder le couvercle du guide d'ondes propre. Les résidus d'aliments peuvent causer des étincelles ou s'enflammer.

INFORMATIONS IMPORTANTES QUE VOUS DEVEZ SAVOIR

À PROPOS DES ALIMENTS

ALIMENT	A FAIRE	A NE PAS FAIRE
Œufs, saucisses noix, graines, fruits et légumes	<ul style="list-style-type: none">• Percer les jaunes pour éviter qu'ils n'éclatent pendant la cuisson.• Piquer la pelure des pommes de terre, des pommes, des courges ainsi que les saucisses afin de permettre à la vapeur de s'échapper.	<ul style="list-style-type: none">• Cuire les œufs dans leur coquille.• Réchauffer des œufs entiers.• Faire sécher les noix ou les graines dans leur écaille.
Maïs soufflé	<ul style="list-style-type: none">• Utiliser seulement du maïs soufflé pour micro-ondes.• Attendre que seuls quelques grains isolés éclatent toutes les 1 ou 2 secondes, ou appuyer sur la touche Sensor Popcorn.	<ul style="list-style-type: none">• Faire éclater des grains de maïs dans des sacs de papier brun ou dans un bol de verre.• Dépasser le temps indiqué sur l'emballage.
Aliments pour bébés	<ul style="list-style-type: none">• Transférer la nourriture dans de petits plats et faire réchauffer doucement, en remuant souvent. Vérifier la température des aliments avant de servir.• Mettre la tétine sur le biberon après l'avoir réchauffé et bien brassé celui-ci ce dernier faire le «test du poignet» avant de donner le biberon à bébé.	<ul style="list-style-type: none">• Faire chauffer les aliments commerciaux pour bébés dans leurs pots.• Faire chauffer des biberons jetables.• Faire chauffer les biberons avec la tétine.
Généralités	<ul style="list-style-type: none">• Après avoir réchauffé des aliments contenant une garniture, les couper afin de laisser s'échapper la vapeur et d'éviter des brûlures.• Bien mélanger les liquides avant et après la cuisson pour que la chaleur soit uniforme.• Faire cuire les aliments liquides et les céréales dans un bol profond afin d'éviter qu'ils ne débordent.• Vous pouvez vous reporter à la hauteur des parois latérales du tiroir.	<ul style="list-style-type: none">• Réchauffer ou faire cuire des aliments dans des contenants hermétiques ou fermés en verre.• Préparer des conserves au four à micro-ondes, car des bactéries dangereuses pourraient ne pas être tuées.• Utiliser le four à micro-ondes pour faire de la friture.• Faire sécher du bois, des courges, des herbes ou du papier.

AVANT L'UTILISATION

Avant d'utiliser ce four, prendre la peine de lire intégralement ce mode d'emploi.

Les étapes suivantes doivent être prises avant que les fonctions peuvent être utilisées. Avant d'utiliser le four, procéder ainsi :

1. Brancher la fiche du cordon d'alimentation. Fermer la porte. L'indication **ENJOY YOUR MICROWAVE TOUCH CLEAR AND TOUCH CLOCK** s'affiche et clignote.
2. Appuyer sur la touche Stop/Clear. : L'indication s'affiche.
3. Régler l'horloge.

RÉGLAGE DE L'HORLOGE

1. Appuyer sur la touche Timer/Clock et sur le chiffre 2.
2. Entrer l'heure correcte de la journée en appuyant sur les touches numériques. Appuyer à nouveau sur la touche Timer/Clock.

Cette horloge est conçue selon un cycle de 12 heures. En cas d'entrée d'une heure non valable, l'indication **ERROR** s'affiche. Appuyer sur la touche Stop/Clear et entrer l'heure correcte.

- Si l'alimentation électrique du four à micro-ondes est coupée, l'indication **ENJOY YOUR MICROWAVE TOUCH CLEAR AND TOUCH CLOCK** s'affiche et clignote dès que l'alimentation est rétablie. Si cela se produit durant la cuisson, le programme de cuisson et l'heure de la journée seront effacés. Appuyer sur la touche Stop/Clear et remettre l'horloge à l'heure.

STOP/CLEAR (ARRÊT/ANNULATION)

Appuyer sur la touche Stop/Clear pour :

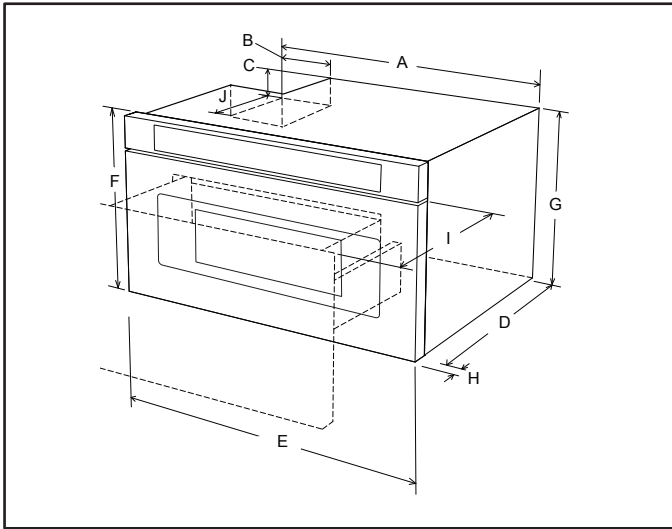
1. Effacer une erreur durant la programmation.
2. Annuler le fonctionnement de la minuterie.
3. Arrêter le four temporairement durant la cuisson.
4. Afficher l'heure.
5. Annuler un programme durant la cuisson, appuyer deux fois.

OUVERTURE OU FERMETURE DU TIROIR

Toujours appuyer sur les touches OPEN ou CLOSE du panneau de commande pour ouvrir ou fermer le tiroir.

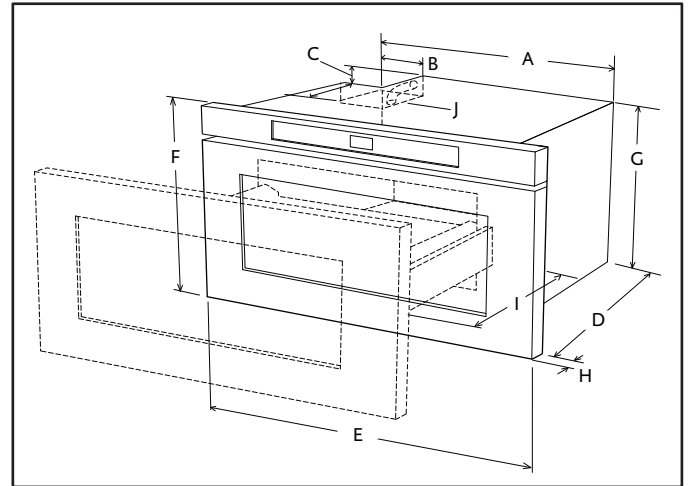
Ne pas pousser ou tirer le tiroir à la main, sauf en cas d'urgence, comme une panne de courant. En cas de nécessité, pousser ou tirer doucement.

DIMENSIONS DU MICRO-ONDES TIROIR 24" ET 30"



Dimensions du tiroir à micro-ondes de 24 po (61 cm)

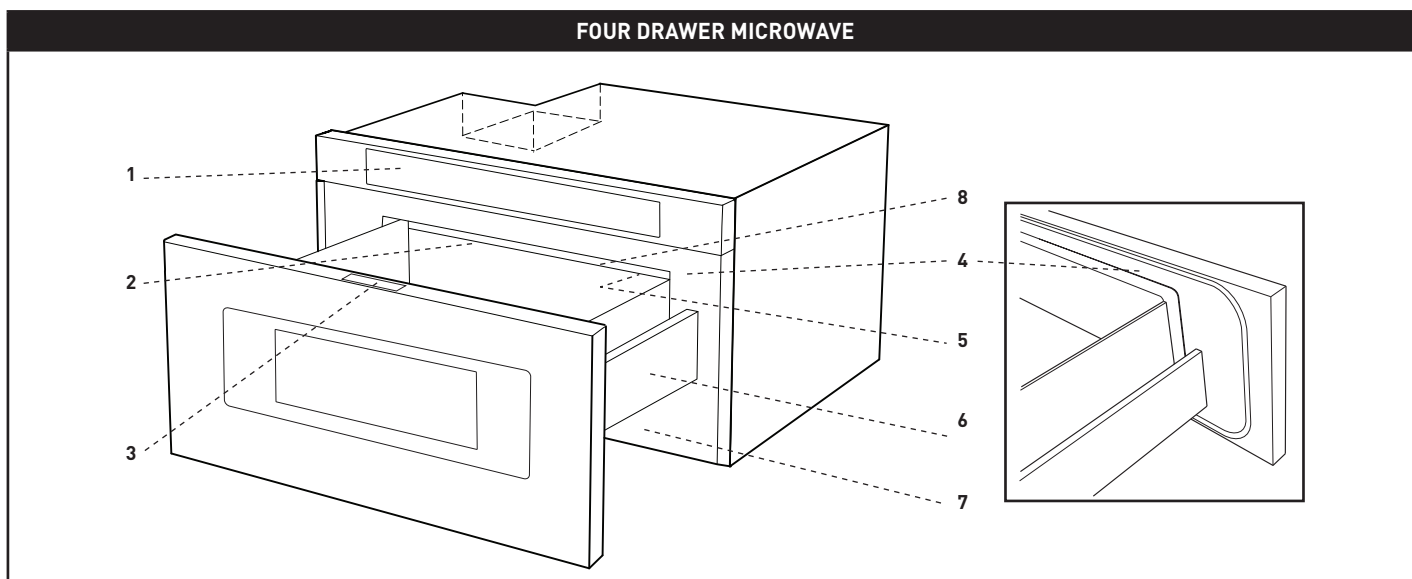
KEY	DESCRIPTION
A	Largeur d'unité de 21-5/8 po (549,28 mm)
B	Largeur d'encastrement du cordon de 4-11/16 po (119,06 mm)
C	Hauteur d'encastrement du cordon de 1-3/4 po (44,45 mm)
D	Profondeur de l'unité 21-7/8 po (555,60 mm) sans porte
E	23-7/8 po (606,43 mm) de largeur de la face de la porte
F	15-7/8 po (403,22 mm) de hauteur de la face de la porte
G	14-19/32 po (370,69 mm) hauteur du corps
H	Épaisseur de la porte 1-9/64 po (29 mm)
I	Ouverture automatique du tiroir de 15 po (381 mm)
J	Profondeur d'encastrement du cordon de 4 po (101,6 mm)



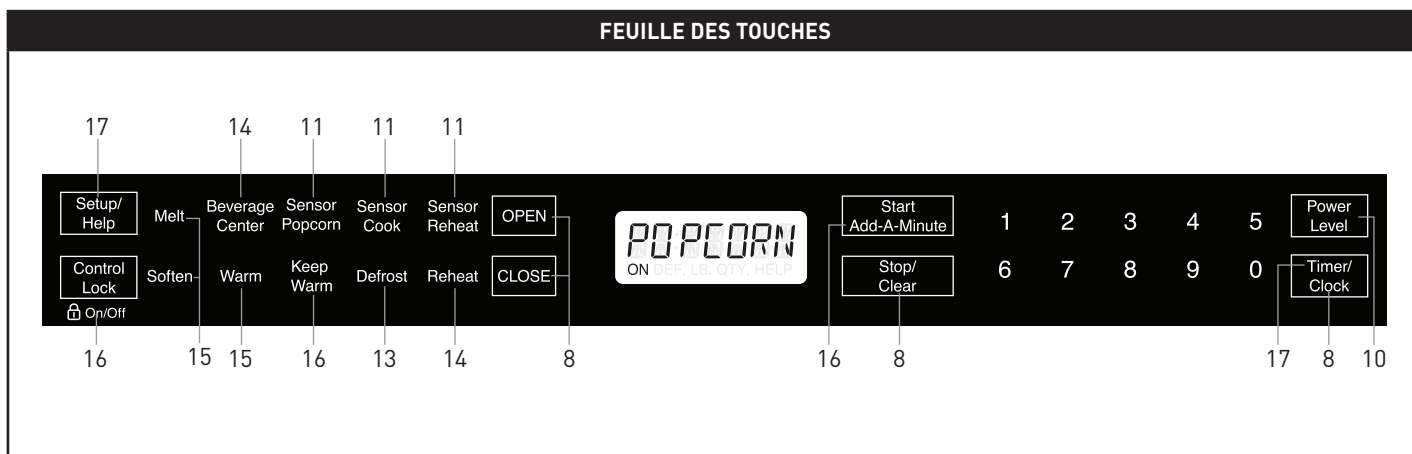
Dimensions du tiroir à micro-ondes de 30 po (76 cm)

CLÉ	DESCRIPTION
A	Largeur de l'appareil de 21 5/8 po (549,28 mm)
B	Largeur de la niche du cordon de 4 11/16 po (119,06 mm)
C	Hauteur de la niche du cordon de 1 3/4 po (44,45 mm)
D	Profondeur de l'appareil sans porte de 21 7/8 po (555,6 mm)
E	Largeur de la surface extérieure de la porte de 30 po (762 mm)
F	Hauteur de la surface extérieure de la porte de 15 7/8 po (403,22 mm)
G	Hauteur du corps de 14 19/32 po (370,69 mm)
H	Épaisseur de la porte de 1 9/64 po (29 mm)
I	Ouverture automatique du tiroir de 15 po (381 mm)
J	Profondeur de la niche du cordon de 4 po (101,6 mm)

CARACTÉRISTIQUES ET PANNEAU DE COMMANDES



- | | |
|---|---|
| <p>1 Panneau de commande</p> <p>2 Couvercle du guide d'ondes NE PAS ENLEVER</p> <p>3 Aide-mémoire</p> <p>4 Surfaces d'étanchéité du tiroir</p> <p>5 Lumière du tiroir</p> | <p>6 Glissières du tiroir</p> <p>7 Évent</p> <p>8 Étiquette des caractéristiques nominales :
Ouvrir le tiroir à micro-ondes complètement. L'étiquette est légèrement au-delà de la paroi arrière de la cavité du four à micro-ondes, face vers le haut, sur la surface plate.</p> |
|---|---|



Les chiffres à côté de l'illustration des touches indiquent les pages où on retrouve la description des caractéristiques et les renseignements concernant l'utilisation.

RÉGLAGES

TEMPS DE CUISSON

Le four peut être programmé pour une durée de 99 minutes et 99 secondes. Toujours entrer les secondes après les minutes, même si le nombre de secondes est égal à zéro.

- Supposons que l'on veuille cuire pendant cinq minutes à 100 %.

1. Indiquer le temps de cuisson 5 0 0.
2. Appuyer sur la touche Start /Add-A-Minute.

RÉGLAGE DU NIVEAU DE PUISSANCE

Onze niveaux de puissance sont prévus. Plus le niveau de puissance est faible, plus le temps de cuisson est long, ce qui est conseillé pour les aliments tels que le fromage, le lait ou les viandes qui exigent une cuisson lente. Consulter un livre de cuisine ou de recettes pour chaque cas particulier.

- Pour dégivrer pour 5 minutes à 30 %.
1. Entrer la durée de décongélation en composant 5 0 0.
 2. Appuyer huit fois sur la touche Power Level.
 3. Appuyer sur la touche Start /Add-A-Minute.

APPUYER SUR LA TOUCHE POWER LEVEL JUSQU'À CE QUE LE NIVEAU DE PUISSANCE DÉSIRÉ S'AFFICHE	POURCENTAGE APPROXIMATIF DE LA PUISSANCE	NOMS DONNÉS AUX NIVEAUX DE PUISSANCE
Power Level x 1	100%	High (élevé)
Power Level x 2	90%	
Power Level x 3	80%	
Power Level x 4	70%	Medium High (mi-élevé)
Power Level x 5	60%	
Power Level x 6	50%	Medium (moyen)
Power Level x 7	40%	
Power Level x 8	30%	Med Low/Defrost (mi-faible/décongélation)
Power Level x 9	20%	
Power Level x 10	10%	Low (faible)
Power Level x 11	0%	

CUISSON COMMANDÉE PAR CAPTEUR

Le capteur est un dispositif à semi-conducteur qui décèle la vapeur (humidité) émise par les aliments qui sont chauffés. Il permet de régler les durées de cuisson et la puissance de chauffe en fonction des divers aliments et de leur quantité.

- Après le branchement du four, attendre 2 minutes avant d'utiliser ce type de cuisson.
- S'assurer que l'extérieur du récipient de cuisson et l'intérieur du four sont secs. Essuyer toute trace d'humidité avec un chiffon sec ou un essuie-tout.

- Le four fonctionne lorsqu'il s'agit d'aliments conservés à la température de rangement normal. Par exemple, le maïs soufflé devrait être à la température de la pièce.
- Toute sélection de cuisson commandée par capteur peut être programmée avec un réglage supérieur ou inférieur à la durée. Voir la page 16.
- Si la quantité d'aliments est inférieure ou supérieure à celle du tableau, on doit tenir compte des conseils fournis dans un livre de cuisine pour four à micro-ondes.
- Au cours de la première période de cuisson, le nom de l'aliment s'affiche. Ne pas ouvrir la porte du four, ni appuyer sur la touche Stop/Clear au cours de cette période, car cela provoquerait l'interruption de la mesure du degré d'humidité. Si ces consignes ne sont pas respectées, un message d'erreur s'affiche et la cuisson commandée par le capteur s'arrête. Pour poursuivre la cuisson, appuyer sur la touche Stop/Clear et choisir le temps de cuisson et le niveau de puissance.
- Lorsque le capteur détecte la vapeur émise par les aliments, le temps restant avant la fin de la cuisson est indiqué sur le four. On peut ouvrir la porte lorsque ce temps de cuisson restant s'affiche. À ce moment-là, on peut aussi remuer les aliments et les assaisonner, au goût.
- Si pendant le soufflage du maïs, le capteur ne détecte pas correctement la vapeur émise, le four cesse de fonctionner et l'heure réelle du jour est affichée. Si le capteur ne détecte pas correctement la vapeur émise lors de la cuisson d'autres aliments, l'indication ERROR s'affiche et le four cesse de fonctionner.
- Vérifier la cuisson des aliments à la fin de la cuisson commandée par le capteur. Si une prolongation de la cuisson est nécessaire, préciser la durée et le niveau de puissance.
- Il y a un conseil de cuisson pour chaque aliment. Appuyer sur la touche Help lorsque l'indicateur HELP est affiché.

MANIÈRES DE COUVRIR LES ALIMENTS

Certains aliments cuisent mieux quand ils sont couverts. Procéder selon les instructions fournies dans le tableau pour ces aliments.

- Couvercle.
- Pellicule plastique : Utiliser une pellicule plastique recommandée pour les fours à micro-ondes. Couvrir le plat sans serrer et en conservant une ouverture de 1,25 cm (1/2 po) de manière à ce que la vapeur puisse s'échapper. La pellicule plastique ne doit pas être en contact avec les aliments.
- Papier ciré : Couvrir entièrement le plat et replier le papier sous le plat de manière à ce qu'il soit maintenu. Si le plat est plus grand que la largeur du papier, utiliser deux morceaux de papier placés de manière à ce qu'ils se chevauchent d'au moins 2,5 cm (1 po).

S'assurer, lorsque l'on retire l'élément ayant servi à couvrir les aliments, que la vapeur s'échappe du côté opposé à l'utilisateur.

RÉGLAGES

SENSOR POPCORN / SENSOR REHEAT (MAIS SOUFFLÉ AU CAPTEUR / RÉCHAUFFAGE AU CAPTEUR)

Vous pouvez faire éclater du maïs ou réchauffer de nombreux aliments sans avoir besoin de calculer le temps de cuisson ou le niveau de puissance.

Appuyer sur Sensor Reheat ou Sensor Popcorn puis sur la touche Start/Add-A-Minute.

Quand le capteur détectera la vapeur émise par les aliments, le temps restant de cuisson/réchauffage s'affichera.

NOTA :

- Il y a 2 choix pour le Sensor Popcorn. Suivre les instructions sur l'afficheur pour choisir l'option désirée.

Tableau de Sensor Popcorn / Sensor Reheat

ALIMENTS	QUANTITÉ	MARCHE À SUIVRE
Sensor Popcorn	1 paquet à la fois 80 – 98 g (2,85 – 3,5 oz) (Régulier / Régulier léger) 34 – 50 g (1,2 – 1,75 oz) (Mini / Collation)	N'utiliser que du maïs soufflé emballé pour le micro-onde. Essayer plusieurs marques et choisir celle qui vous plait. Ne pas tenter de souffler les grains qui n'ont pas éclaté. Appuyer une fois sur Sensor Popcorn pad. Appuyer deux fois sur Sensor Popcorn.
Sensor Reheat	112 g – 1 kg (4 – 36 oz)	Mettre dans un plat ou une casserole un peu plus grande que la quantité à réchauffer. Aplatis si possible. Couvrir avec un couvercle, film plastique ou un papier ciré. Couvrir avec du film plastique ou des couvercles pour de plus grandes quantités d'aliments plus denses comme les ragoûts Si possible, bien remuer après réchauffage. Couvrir à nouveau et laisser reposer 2 à 3 minutes. Les aliments devraient être très chauds. Dans le cas contraire, continuer à chauffer avec une puissance et une durée variables.

SENSOR COOK (CUISSON AU CAPTEUR)

1. Appuyer une fois sur la touche Sensor Cook.
2. Voir l'aide-mémoire. Choisir un aliment en appuyant sur un chiffre. Ex : Appuyer 5 fois pour des pommes terre au four.
3. Appuyer sur Start/Add-A-Minute.

NOTA :

- Pour réchauffer d'autres aliments ou des aliments en quantités inférieure ou supérieure à celles permises sur le Tableau de Sensor Cook, cuire en mode manuel.

Tableau de Sensor Cook

ALIMENTS	QUANTITÉ	MARCHE À SUIVRE
1. Légumes frais: Rapide Brocoli Choux de Bruxelles Choux Chou-fleur (en bouquet) Chou-fleur (entier) Épinards Courgettes Pommes au four	113 g - 907 g (0,25 - 2,0 lb) 113 g - 907 g (0,25 - 2,0 lb) 113 g - 907 g (0,25 - 2,0 lb) 113 g - 907 g (0,25 - 2,0 lb) 1 moyen 113 g - 454 g (0,25 - 1,0 lb) 113 g - 907 g (0,25 - 2,0 lb) 2 - 4 moyen	Laver et mettre dans une casserole. Ne pas ajouter d'eau si les légumes viennent d'être lavé. Couvrir avec un couvercle pour obtenir des légumes tendres. Utiliser un film plastique pour obtenir des légumes tendres mais croustillants. Après la cuisson, remuer si possible, Laisser reposer, à couvert, 2 à 5 minutes.
2. Légumes frais : Longue Carottes, tranchées Maïs en épi Haricots verts Courge d'hiver : en dés en moitié	113 g - 680 g (0,25 - 1,5 lb) 2 - 4 pièces 113 g - 680 g (0,25 - 1,5 lb) 113 g - 680 g (0,25 - 1,5 lb) 1 - 2 moitiés	Mettre dans une casserole. Ajouter 1 à 4 c. à soupe d'eau. Couvrir avec un couvercle pour obtenir des légumes tendres. Utiliser un film plastique pour obtenir des légumes tendres mais croustillants. Après la cuisson, remuer si possible, Laisser reposer, à couvert, 2 à 5 minutes.

RÉGLAGES

Tableau de Sensor Cook

ALIMENTS	QUANTITÉ	MARCHE À SUIVRE															
3. Légumes congelés	113 g - 680 g (0,25 - 1,5 lb)	Ne pas ajouter d'eau. Couvrir avec un couvercle ou un film plastique. Après la cuisson, remuer et laisser reposer, à couvert, 3 minutes.															
4. Plats congelés	170 g - 482 g (6 - 17 oz)	Utiliser cette touche pour les plats prêt-à-servir congelés. Cela donnera des résultats satisfaisants avec la plupart des marques. Peut-être voudrez-vous en essayer plusieurs et choisir votre préféré. Retirer le plat de l'emballage extérieur et suivre les indications pour le recouvrement du plat. Après la cuisson, laisser reposer, à couvert, 1 à 3 minutes.															
5. Pommes terre au four 6. Patates douces	1 - 6 moyen 1 - 6 moyen	Les piquer. Les placer sur un essuie-tout au fond du tiroir. Après la cuisson, les retirer du four, les envelopper dans une feuille d'aluminium et les laisser reposer pendant 5 à 10 minutes.															
7. Viande hachée	113 g - 907 g (0,25 - 2,0 lb)	Utiliser ce réglage pour cuire du boeuf ou de la dinde hachés en fricadelles ou en cocotte avec d'autres ingrédients. Placer les fricadelles sur une grille transparente aux micro-ondes et couvrir de papier ciré. Placer la viande hachée dans une cocotte et couvrir avec du papier ciré ou du film plastique. Quand le four s'arrête, retourner les fricadelles ou mélanger la viande dans la cocotte pour séparer les gros morceaux. Recouvrir et appuyer sur Start/Add-A-Minute. Après la cuisson, laisser reposer, à couvert, 2 à 3 minutes.															
8. Poisson/Fruits de mer	113 g - 907 g (0,25 - 2,0 lb)	Disposer en anneau autour d'un plat en verre peu profond (rouler le filet en mettant les bords en dessous). Couvrir avec du film plastique ventilé. Après la cuisson, laisser reposer, à couvert, 3 minutes															
9. Riz 10. Riz brun	0,5 à 2 tasses 0,5 à 2 tasses	Placer le riz dans une cocotte profonde et ajouter le double d'eau. Couvrir avec un couvercle ou un film plastique. Après la cuisson, remuer, couvrir et laisser reposer de 3 à 5 minutes ou jusqu'à ce que tout le liquide ait été absorbé. <table border="1" style="margin-left: auto; margin-right: auto;"> <thead> <tr> <th>Riz</th> <th>Eau</th> <th>Taille de la cocotte</th> </tr> </thead> <tbody> <tr> <td>0,5 tasse</td> <td>1 tasse</td> <td>1,5 pintes</td> </tr> <tr> <td>1,0 tasse</td> <td>2 tasses</td> <td>2 pintes</td> </tr> <tr> <td>1,5 tasses</td> <td>3 tasses</td> <td>2,5 ou 3 pintes</td> </tr> <tr> <td>2,0 tasses</td> <td>4 tasses</td> <td>3 pintes ou plus</td> </tr> </tbody> </table>	Riz	Eau	Taille de la cocotte	0,5 tasse	1 tasse	1,5 pintes	1,0 tasse	2 tasses	2 pintes	1,5 tasses	3 tasses	2,5 ou 3 pintes	2,0 tasses	4 tasses	3 pintes ou plus
Riz	Eau	Taille de la cocotte															
0,5 tasse	1 tasse	1,5 pintes															
1,0 tasse	2 tasses	2 pintes															
1,5 tasses	3 tasses	2,5 ou 3 pintes															
2,0 tasses	4 tasses	3 pintes ou plus															

RÉGLAGES

DEFROST (DÉCONGÉLATION)

Utiliser cette caractéristique pour décongeler les aliments indiqués dans le Tableau de Defrost.

1. Appuyer sur la touche Defrost.
2. Voir l'aide-mémoire. Choisir l'aliment désirée en appuyant sur un chiffre. Ex : Appuyer sur 2 pour les biftecks ou les côtelettes.
3. Entrer le poids en appuyant sur les chiffres.
4. Appuyer sur la touche Start/Add-A-Minute.
Le four d'arrêtera pour que vous puissiez inspecter l'aliment.
5. Après la première étape, ouvrir le Drawer Microwave. Retourner le bifteck et masquer les parties chaudes. Fermer le tiroir. Appuyer sur Start/Add-A-Minute.
6. Après la deuxième étape, ouvrir le Drawer Microwave. Masquer tout les parties chaudes. Fermer le micro-onde tiroir. Appuyer sur Start/Add-A-Minute.
7. À la fin du cycle de décongélation, masquer et laisser reposer comme indiqué dans le tableau ci-dessous..

NOTA :

- Defrost peut être programmé avec réglage de durée en plus ou en moins. Voir page 16.
- Pour décongeler d'autres aliments dont le poids est supérieur ou inférieur à celui autorisé au Tableau de Defrost, voir la Décongélation Manuelle.
- Inspecter les aliments au signal du four. Après l'étape finale, de petites sections peuvent être encore gelées. Laisser reposer pour que le dégel se poursuive. Ne pas décongeler avant que tous les cristaux de glace soient fondus.
- Le masquage empêche que la cuisson ait lieu avant que le centre de l'aliment ne soit dégelé. Utiliser de petites bandes souples de papier d'aluminium pour couvrir les bords et les parties les moins épaisses de l'aliment.

Tableau de Defrost

ALIMENTS	QUANTITÉ	MARCHE À SUIVRE
1. Viande hachée	227 g - 907 g (0,5 - 2 lb)	Retirer les parties dégelées après chaque signal sonore. Laisser reposer, à couvert, 5 à 10 minutes.
2. Biftecks/ Côtelettes	227 g - 1,36 kg (0,5 - 3 lb)	Après chaque signal sonore, changer la disposition des aliments et masquer les parties chaudes ou dégelées au moyen de bandes de papier d'aluminium. Retirer la viande ou le poisson presque entièrement dégelés. Laisser reposer, à couvert, 10 à 20 minutes.
3. Poulet désossé	227 g - 907 g (0,5 - 2 lb)	Après chaque signal sonore, s'il y a des morceaux chauds ou dégelés, changer la disposition ou retirer. Laisser reposer, à couvert, 10 à 20 minutes.
4. Poulet avec les os	227 g - 1,36 kg (0,5 - 3 lb)	Après chaque signal sonore, changer la disposition ou retirer les morceaux. s'il sont chauds ou dégelés Laisser reposer, à couvert, 10 à 20 minutes.
5. Rôti	907 g - 1,8 kg (2 - 4 lb)	Mettre les parties grasses en dessous. Après chaque étape de décongélation, retourner et protéger les parties chaudes au moyen de bandes de papier d'aluminium. À la fin de la décongélation, laisser reposer à couvert de 30 à 60 minutes.

DÉCONGÉLATION MANUELLE

Si les aliments que vous voulez décongeler ne sont pas dans le Tableau de Defrost, ou sont en quantité supérieure ou inférieure à celle de la colonne Quantité du Tableau de Defrost, vous devrez décongeler en mode manuel.

Vous pouvez décongeler tout aliment, cru ou déjà cuit, à l'aide du niveau de puissance de 30 %. Suivre exactement la marche suivre en 3 étapes sous Le réglage du niveau de puissance à la page 10. Estimer la durée de décongélation et appuyer sur la touche Power Level huit fois pour une puissance de 30%.

Pour des aliments crus ou déjà cuits, la règle d'or est d'environ 4 minutes par livre. Par exemple, 1 livre de spaghetti dégèlera en 4 minutes.

Toujours arrêter le four périodiquement pour séparer et retirer les portions dégelées. Si les aliments ne sont pas complètement dégelés à la fin du temps de décongélation estimé, programmer le four en incréments d'1 minute, au niveau de puissance de 30 % jusqu'à décongélation complète.

Quand vous utilisez des contenants plastique sortant du congélateur, décongeler seulement assez longtemps pour retirer les aliments du plastique et les mettre dans un plat pour micro-onde.

RÉGLAGES

REHEAT (RÉCHAUFFAGE)

Reheat calculera automatiquement le temps de réchauffage approprié et la puissance du four à microondes pour les aliments énumérés dans le tableau suivant.

1. Appuyer une fois sur la touche Reheat.
2. Voir l'aide-mémoire Choisir un aliment en appuyant sur un chiffre. Ex : Appuyer sur 2 pour des petits pains ou des muffins congelés.

3. Appuyer sur un chiffre pour choisir la quantité. Ex : Appuyer sur 2 pour 2 pains ou muffins.
4. Appuyer sur Start/Add-A-Minute.

NOTA :

- Reheat peut être programmé avec réglage de durée en plus ou en moins. Voir page 16.
- Pour réchauffer d'autres aliments ou des aliments en quantités inférieure ou supérieure à celle permise sur le Tableau de Reheat, réchauffer en mode manuel.

Tableau de Reheat

ALIMENTS	QUANTITÉ	MARCHE À SUIVRE
1. Petits pains frais/muffins	1 - 8 pièces	Utiliser cette touche pour décongeler petits pains, muffins, biscuits, baguels, etc. il faut compter les grosses pièces comme 2 ou 3 de taille régulière. Disposer sur une assiette; couvrir avec un essuie-tout. Pour des petits pains et des muffins réfrigérés, il peut être nécessaire de doubler la quantité pour que la portion soit à la température appropriée. Par exemple, entrer la quantité 2 pour 1 petit pain réfrigéré.
2. Pains ou muffins congelés	1 - 8 pièces	Utiliser cette touche pour décongeler petits pains, muffins, biscuits, baguels, etc. il faut compter les grosses pièces comme 2 ou 3 de taille régulière. Disposer sur une assiette; couvrir avec un essuie-tout.

BEVERGE CENTER (CENTRE DE BOISSONS)

Beverage Center vous permet de réchauffer le café ou le thé pour réaliser une température plus convenable à la consommation, ou pour préparer du café ou du thé instantané.

1. Appuyez une fois sur Beverage Center.
2. Regardez l'étiquette de Menu. Choisissez la sélection voulue en appuyant sur le pavé numérique. Ex: Appuyez sur le 2 pour préparer du café.

3. Répétez le processus en appuyant sur la même touche pour sélectionner la quantité. Ex: Appuyez 2 fois de plus le numéro 2 pour 2 tasses de café.
4. Appuyer sur Start/Add-A-Minute.

NOTA :

- Réchauffer peut être programmé avec un réglage de durée en plus ou en moins. Voir page 16.
- Si vous essayez de saisir un chiffre en dessous ou en dessus de la quantité permise, un message d'erreur s'affichera.

Tableau de Beverage Center

ALIMENTS	QUANTITÉ	MARCHE À SUIVRE
1. Reheat (Réchauffer une boisson)	0,5 à 2 tasses	Ce réglage sert à remettre une boisson chaude refroidie à une température convenable à la consommation. Appuyer sur la touche numéro 1 pour augmenter de 0,5 tasses par pression. Remuer après la cuisson.
2. Hot water (Eau chaude)	1 à 6 tasses	Utiliser ce réglage pour chauffer de l'EAU FROIDE DE ROBINET vers une température juste en dessous du point d'ébullition, pour préparer le café ou le thé instantané. Appuyer sur la touche numéro 2 pour augmenter de 1 tasse par pression. Remuer bien le liquide après la cuisson pour éviter toute «éruption» éventuelle.

RÉGLAGES

MELT / SOFTEN / WARM (FONDRE / RAMOLLIR / CHAUFFER)

Melt, Soften et Warm calculera automatiquement le temps de réchauffement approprié et la puissance du four à micro-ondes pour faire fondre, ramollir et réchauffer les aliments du tableau suivant.

1. Appuyer une fois sur Melt.
2. Voir l'aide-mémoire. Choisir un aliment en appuyant sur un chiffre. Ex : Appuyer sur 2 pour chocolat.
3. Répéter la pression sur la même touche pour choisir la quantité. Ex : Appuyer sur 2 deux fois de plus pour 1 carré.
4. Appuyer sur Start/Add-A-Minute.

NOTA :

- Melt, Soften et Warm peut être programmé avec réglage de durée en plus ou en moins. Voir page 16.
- Pour faire fondre, faire ramollir ou faire chauffer doucement un autre aliment ou d'autres aliments que ceux mentionnés ci-avant, ou pour des quantités en dessous ou en dessous de la quantité indiquée au Tableau de Melt/Soften/Warm, faire fonctionner manuellement l'appareil.

Tableau de Melt / Soften / Warm

ALIMENTS	QUANTITÉ	MARCHE À SUIVRE
Melt (Fondre)		Utiliser une tasse à mesurer en pyrex. Couvrir avec du film plastique ventilé.
1. Beurre	30 ml (2 c. à soupe) 118 ml (0,5 tasse)	Après une pression sur Melt, appuyer sur 1 deux fois pour 2 c. à soupe. Après une pression sur Melt, appuyer sur 1 trois fois pour 0,5 tasse.
2. Chocolat	237 ml (1 tasse de brisures) 1 carré	Après une pression sur Melt, appuyer sur 2 deux fois pour 1 tasse de brisures. Après une pression sur Melt, appuyer sur 2 trois fois pour 1 carré.
Soften (Ramollir)		NE COUVREZ PAS.
1. Crème glacée	473 ml (1 chopine) 1,89 L (0,5 gallon)	Après une pression sur Soften, appuyer sur 1 deux fois pour 1 chopine. Après une pression sur Soften, appuyer sur 1 trois fois pour 0,5 gallon.
2. Fromage à la crème	84 g (3 oz) 184 g (8 oz)	Après une pression sur Soften, appuyer sur 2 deux fois pour 3 oz. Après une pression sur Soften, appuyer sur 2 trois fois pour 8 oz.
Warm (Chauffer)		Utiliser une tasse à mesurer en pyrex. NE COUVREZ PAS.
1. Sirop	59 ml (1/4 tasse) 118 ml (1/2 tasse)	Après une pression sur Warm, appuyer sur 1 deux fois pour 1/4 tasse. Après une pression sur Warm, appuyer sur 1 trois fois pour 1/2 tasse.
2. Garniture de dessert	59 ml (1/4 tasse) 118 ml (1/2 tasse)	Après une pression sur Warm, appuyer sur 2 deux fois pour 1/4 tasse. Après une pression sur Warm, appuyer sur 2 trois fois pour 1/2 tasse.

RÉGLAGES

KEEP WARM (RÉCHAUD)

Keep Warm vous permet de garder les aliments au chaud pendant 30 minutes.

Usage direct

1. Appuyer sur la touche Keep Warm.
2. Entrer la durée désirée en appuyant sur les chiffres. Pour entrer 30 minutes appuyer sur 3 0 0 0.
3. Appuyer sur Start/Add-A-Minute.

Le four se mettra en marche. L'afficheur indiquera 30.00 et le compte à rebours. KEEP WARM sera affiché pendant le compte à rebours.

Avec cuisson en mode manuel

1. Entrer le temps de cuisson et le niveau de puissance.
2. Appuyer sur la touche Keep Warm.
3. Entrer la durée de réchauffage désirée jusqu'à 30 minutes.
4. Appuyer sur Start/Add-A-Minute.

L'opération démarrera. Quand la durée de cuisson est terminée, une longue tonalité résonnera et Keep Warm démarrera. L'afficheur indiquera le compte à rebours KEEP WARM sera affiché de manière intermittente pendant le compte à rebours.

NOTA :

- Si vous essayez d'entrer plus de 30 minutes pour Keep Warm, un message d'erreur s'affichera.
- Keep Warm ne peut pas être programmé avec Sensor Popcorn, Sensor Reheat, Sensor Cook, Defrost ou Reheat.

CUISSON À SÉQUENCES MULTIPLES

Votre micro-onde tiroir peut être programmé pour 4 séquences automatiques de cuisson, passant d'un réglage de puissance à l'autre automatiquement.

Parfois, les conseils de cuisson suggèrent de commencer à un certain niveau de puissance et de poursuivre à un autre niveau. Votre micro-onde tiroir peut le faire automatiquement.

1. Entrer d'abord le temps de cuisson. Puis appuyer sur la touche Power Level pour la cuisson à 100% ou appuyer de nouveau sur Power Level pour un niveau plus faible.
2. Entrer le second temps de cuisson. Appuyer ré sur la touche Power Level jusqu'au niveau de puissance désiré. Vous pouvez faire cette marche à suivre jusqu'à 4 fois.
3. Appuyer sur Start/Add-A-Minute.

NOTA :

- HIGH sera affiché si on appuie une fois sur la touche Power Level.
- Si le niveau 100 % doit être utilisé au cours de la dernière séquence, il n'est pas nécessaire d'appuyer sur la touche Power Level.
- Si vous voulez savoir le niveau de puissance, appuyer

simplement sur la touche Power Level. Aussi long temps que votre doigt appuie sur la touche Power Level, le niveau de puissance sera affiché.

- Keep Warm peut être programmé même si 4 séquences de cuisson ont été réglées.

ADD-A-MINUTE

Add-A-Minute permet de faire cuire à 100% pour une minute à l'aide d'une seule pression sur la touche Add-A-Minute. On peut également prolonger le temps de cuisson par intervalles de 1 minute en appuyant autant de fois que de minutes désirées sur la touche Add-A-Minute pendant une cuisson manuelle.

NOTA :

- Pour utiliser Add-A-Minute, appuyez sur la touche en les 3 minutes suivant la cuisson, la fermeture de la porte ou la pression sur la touche Stop/Clear.
- Add-A-Minute ne peut pas être utilisé avec les Réglages à capteur, Reheat ou Defrost.

RÉGLAGE DE DURÉE EN PLUS OU EN MOINS

Si vous trouvez que vous préférez les réglages de Sensor, Reheat or Defrost un peu plus forts, appuyer une fois sur la touche Power Level après avoir appuyé sur les touches de votre choix. MORE s'affichera.

Pour des réglages un peu moins forts, appuyer deux fois sur la touche Power Level après avoir appuyé sur les touches de votre choix. LESS s'affichera.

HELP (AIDE - SUR L'AFFICHAGE)

Chaque réglage de Sensor Reheat, Sensor Cook, Sensor Popcorn, Keep Warm, Reheat et Defrosting s'accompagne d'une astuce. Si vous voulez accéder à ces astuces, appuyez sur Setup/Help lorsque le témoin HELP est allumé à l'affichage interactif.

CONTROL LOCK (VERROUILLAGE DES COMMANDES)

La fonction de Control Lock prévient une utilisation non autorisée du tiroir par les enfants. On peut régler le Four Drawer Microwave de manière à verrouiller ou à désactiver le tableau de commandes.

Pour verrouiller

Appuyez sur la touche Control Lock pendant 3 secondes. LOCK ON s'affiche.

Pour ouvrir

Appuyez sur la touche Control Lock pendant 3 secondes. LOCK OFF s'affiche.

Le Control Lock est annulée lorsque l'alimentation électrique de votre four est interrompue. Réglez le verrouillage des commandes à nouveau lorsque l'alimentation du four est rétablie.

RÉGLAGES

SETUP/HELP (RÉGLAGES/AIDE)

En cas de coupure ou de panne de courant, ENJOY YOUR MICROWAVE TOUCH CLEAR AND TOUCH CLOCK s'affichera par intervalles une fois que le courant sera rétabli. Si cela se passe, votre option Setup/Help sera effacée. Appuyez sur la touche Stop/Clear pour régler de nouveau.

ÉLIMINATION DE SIGNAL SONORE

En fin d'une cuisson minutée, des signaux sonores se font entendre. Si vous préférez ne pas entendre ces signaux sonores, vous pouvez les désactiver.

Pour désactiver le signal

1. Appuyez sur la touche Setup/Help.
2. Appuyez encore sur la touche Setup/Help.
3. Appuyez sur la touche Start/Add-A-Minute. SOUND OFF s'affiche.

Pour activer le signal de nouveau

1. Appuyez sur la touche Setup/Help.
2. Appuyez encore sur la touche Setup/Help.
3. Appuyez sur la touche Start/Add-A-Minute. SOUND ON s'affiche.

RAPPEL FIN DE CUISSON

À la fin de la cuisson minutée, le micro-ondes émettra un signal sonore toutes les 10 secondes pour la première minute, puis toutes les trois 3 minutes jusqu'à ce que l'on appuie sur la touche Stop/Clear, pour jusqu'à une heure.

Pour désactiver le rappel

1. Appuyez trois fois sur la touche Setup/Help. REMIND SIGNAL OFF? TOUCH START s'affiche.
2. Appuyez sur la touche Start/Add-A-Minute. REMIND SIGNAL OFF s'affiche.

To turn reminder signal back on

1. Appuyez trois fois sur la touche Setup/Help. REMIND SIGNAL ON? TOUCH START s'affiche.
2. Appuyez sur la touche Start/Add-A-Minute. REMIND SIGNAL ON s'affiche.

TIMER (MINUTEUR)

1. Appuyez sur la touche Timer/Clock et sur la touche numéro 1.
2. Entrez le temps voulu.
3. Appuyez de nouveau sur la touche Timer/Clock.

Pour annuler le minuteur, appuyez sur Stop/Clear.

MISE EN MARCHÉ AUTOMATIQUE

Si vous voulez programmer le Four Drawer Microwave pour se mettre en marche automatiquement à une heure spécifique, procédez comme suit.

1. Appuyez quatre fois sur la touche Setup/Help. AUTO START TOUCH START s'affiche.
2. Appuyez sur la touche Start/Add-A-Minute.
3. Entrez l'heure de départ.
4. Appuyez sur la touche Timer/Clock.
5. Entrez le temps de cuisson via les touches numériques. Appuyez plusieurs fois sur la touche Power Level jusqu'à ce que l'allure voulue s'affiche.
6. Appuyez sur la touche Start/Add-A-Minute.

MODE DE DÉMONSTRATION

Pour sélectionner le mode de démonstration

1. Appuyez cinq fois sur la touche Setup/Help. DEMO ON? HOLD START 3 SEC s'affiche.
2. Maintenez une pression sur la touche Start/Add-A-Minute pour 3 secondes. DEMO ON s'affiche.

Pour annuler le mode de démonstration

1. Appuyez cinq fois sur la touche Setup/Help. DEMO OFF? TOUCH START s'affiche.
2. Appuyez sur la touche Start/Add-A-Minute. DEMO OFF

NOTA :

- En mode de démonstration, le Four Drawer Microwave n'émet pas d'énergie pour la cuisson ou le réchauffage.
- Le compte à rebours se fait rapidement.

MODE VEILLE

Cette Four Drawer Microwave se met en mode veille après une période d'inactivité. Le rétro-éclairage de l'écran dim automatiquement après 3 minutes si l'unité n'a pas été appliqué. Si l'affichage est en mode veille, il suffit de toucher le panneau de commande ou pour ouvrir / fermer la porte pour retourner le rétroéclairage à la luminosité maximale.

NETTOYAGE ET ENTRETIEN

Les pièces d'équipement fonctionnent mieux et durent plus longtemps quand elles sont entretenues correctement et tenues propres. Le matériel de cuisson ne fait pas exception. Il faut tenir propre votre four à micro-ondes et l'entretenir correctement.

Débrancher le cordon d'alimentation avant de nettoyer ou laisser la porte ouverte pour désactiver le four lors du nettoyage.

EXTÉRIEUR

La surface extérieure est recouverte d'une couche de peinture. Nettoyer la surface extérieure à l'eau et au savon; rincer et sécher au moyen d'un chiffon doux. Ne pas utiliser de produits chimiques de nettoyage ou de produits abrasifs.

SURFACE EN ACIER INOXYDABLE

Il faut essuyer souvent l'extérieur avec un chiffon doux humide et le frotter avec un chiffon doux sec pour lui garder son lustre. Toujours essuyer dans le sens du grain. Il existe aussi de nombreux produits conçus spécialement pour nettoyer et faire briller l'extérieur en inox du four. Nous recommandons d'appliquer le nettoyant sur un chiffon doux et de s'en servir ensuite sur l'inox plutôt que de le vaporiser directement dessus. Suivre à la lettre les instructions de l'emballage.

AVANT DU TIROIR

Essuyer les deux surfaces du hublot à l'aide d'un chiffon humide pour enlever les éclaboussures. Il est plus facile de nettoyer les parties métalliques si on les essuie fréquemment avec un chiffon humide. Éviter tout emploi de produits nettoyants vaporisés ou abrasifs car ils peuvent tacher, strier ou ternir la surface de la porte.

TABLEAU DE COMMANDES

Si désiré, les touches peuvent être désactivées avant le nettoyage. Voir les renseignements sur le verrouillage des commandes à la page 16 de ce manuel. Essuyer le tableau de commande avec un chiffon humecté d'eau. Sécher avec un chiffon doux. N'utiliser ni poudre à récurer ni produits chimiques de nettoyage. Refermer la porte et suivre les instructions de la page 16 pour déverrouiller les commandes. Appuyer sur Stop/Clear.

INTÉRIEUR

Le nettoyage est facile car les parois intérieures n'absorbent pas de chaleur de telle sorte que les éclaboussures ne cuisent pas. Pour nettoyer les parois intérieures, y compris les surfaces d'étanchéité du tiroir, essuyer avec un chiffon doux humide. **NE PAS UTILISER DE PRODUITS ABRASIFS OU DE TAMPONS À RÉCURER.** Pour les taches tenaces, utiliser du savon doux et nettoyer avec un chiffon doux humide. Ne pas utiliser de nettoyants chimiques pour les fours.

GLISSIÈRES DU MICRO-ONDE TIROIR

Nettoyer les glissières du tiroir des miettes de nourriture. Les essuyer avec un chiffon doux et sec pour que le tiroir s'ouvre et se ferme en douceur.

COUVERCLE DU GUIDE D'ONDES

ATTENTION Tenir propre le couvercle du guide d'ondes pour assurer un bon fonctionnement du four. Essuyer immédiatement et délicatement avec un chiffon humide toute éclaboussure d'aliments sur la surface du couvercle. Une accumulation d'éclaboussures peut surchauffer et causer de la fumée ou même s'enflammer. Ne pas retirer le couvercle du guide d'ondes.

DÉSODORISATION

Il peut arriver qu'une odeur de cuisson persiste dans le tiroir. Pour l'éliminer, mettre dans un récipient pouvant contenir 2 tasses, 1 tasse d'eau, le zeste et le jus d'un citron, et plusieurs clous de girofle entiers. Faire bouillir pendant plusieurs minutes à 100 %. Laisser reposer dans le micro-onde tiroir jusqu'à ce qu'il soit froid. Essuyer l'intérieur avec un chiffon doux.

AVANT D'APPELER UN TECHNICIEN

Pour éviter des pertes de temps et des dépenses inutiles, veuillez effectuer les vérifications suivantes avant d'appeler un technicien.

PROBLÈME	CAUSE POSSIBLE	SOLUTION
1. Une partie ou tout le Four Drawer Microwave ne fonctionne pas.	<ul style="list-style-type: none"> • La fiche du Four Drawer Microwave n'est pas complètement branchée dans la prise murale. • Panne de courant. • Le fusible/le disjoncteur est défectueux. • Le Four Drawer Microwave est en mode de démonstration. 	<ul style="list-style-type: none"> • Assurez-vous que la fiche est bien branchée dans la prise murale. • Vérifiez les lumières de la maison pour voir si elles marchent. Téléphonnez à votre service d'électricité local pour demander du service. • Changez le fusible ou remettez le disjoncteur. • Consultez la page 17 pour en savoir plus sur comment annuler le mode de démonstration.
2. L'aliment dans le Four Drawer Microwave ne se chauffe pas.	<ul style="list-style-type: none"> • L'appareil n'est pas branché. • Mauvais réglage des commandes du tiroir. • Le tiroir est en mode de démonstration. 	<ul style="list-style-type: none"> • Consultez la SOLUTION au PROBLÈME 1. • Vérifiez si les commandes sont réglées comme il faut. • Consultez la page 17.
3. La lampe du Four Drawer Microwave ne fonctionne pas.	<ul style="list-style-type: none"> • L'ampoule n'est pas bien serrée en place, ou elle est épuisée. 	<ul style="list-style-type: none"> • Téléphonnez à un technicien.
4. Les touches ne fonctionnent pas.	<ul style="list-style-type: none"> • Le verrouillage des commandes est activé. 	<ul style="list-style-type: none"> • Consultez la page 16 pour en savoir plus sur comment désactiver le verrouillage.
5. L'affichage clignote.	<ul style="list-style-type: none"> • Panne de courant. 	<ul style="list-style-type: none"> • Appuyez sur Clear (Remise à zéro) et réglez l'heure. Si le Four Drawer Microwave fonctionnait, il faut programmer la cuisson de nouveau.
6. De la vapeur sort de la sortie d'air	<ul style="list-style-type: none"> • Pendant l'opération du four à microondes, il est normal que de la vapeur sorte du côté droit de la sortie d'air. 	



Warranty & Service

This product has been manufactured by Thor International, 4651 E Airport Drive, California 91761

For Customer Service, please call (877) 288 - 8099

For the most up to date warranty and service policy, please refer to our website
WWW.THORKITCHEN.COM/WARRANTY-REGISTRATION

For in-warranty service requests, please visit our website at
WWW.THORKITCHEN.COM/SERVICE

Please Note: You must provide proof of purchase or installation date for any in-warranty service requests.

WELCOME TO THE CLUB

You chose THOR Kitchen to enhance your culinary journey and we're stoked to have you in the club. Think of it as a secret society of really savvy people, such as yourself, choosing professional power and performance at an affordable price.



Register your product by following the steps below.

WARRANTY REGISTRATION



01 Scan the QR code or visit
thorkitchen.com/warranty



02 Input your product info
and select register



03 You're done.
Let's get cookin'.

WARRANTY



NEED PARTS?



TINSKB316MRR1