



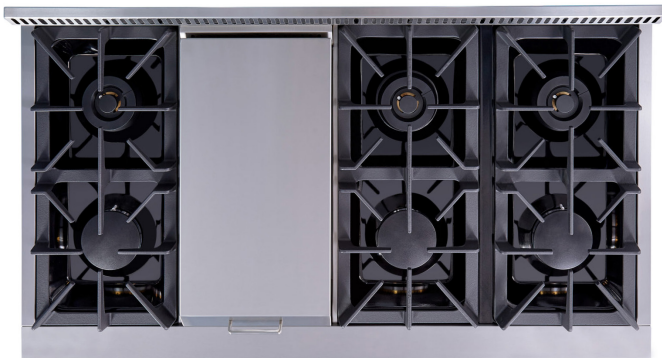
**Product:** 48 Inch Professional Dual Fuel Range in Stainless Steel  
**Model Number:** HRD4803U / HRD4803ULP

### TECHNICAL DETAILS

Fuel Type	Natural Gas / LP Convertible
Electrical Requirements	240V, 4-Prong 14-50R Power Outlet
Circuit Breaker (A)	40A
Frequency (Hz)	60 Hz

### BURNER PERFORMANCE

Total Burners	6
Front Right (Single)	18,000 BTU
Front Left (Single)	18,000 BTU
Front Middle (Single)	18,000 BTU
Rear Right (Dual Burner with simmer function)	15,000 BTU (650 BTU for Simmer)
Rear Left (Dual Burner with simmer function)	15,000 BTU (650 BTU for Simmer)
Rear Middle (Single)	12,000 BTU
Stainless Steel Griddle	15,000 BTU



### FEATURES & BENEFITS

- + **High-Powered BTU Burners** - From a high-powered 18,000 BTU burner to a burner with a steady 650 BTU simmer function, this range gives you the power you need for large family meals and the consistent low heat desired for cooking delicate sauces or melting chocolate
- + **LuxGlide™ Telescopic Racks** - Telescopic racks use ball bearing rack guides for an effortless glide in and out of the oven. This luxury feature allows the rack to extend fully without tipping over for smooth, easy handling of even the heaviest dishes, and adjusts to fit different rack support levels
- + **Infrared Broiler** - Infrared gas flame broiler radiates heat evenly to sear your food and seal in the juices
- + **Energy Efficient Heating** - Energy efficient calrod heating element radiates heat evenly for excellent broiling results
- + **LED Control Panel Lights** - When in operation, the LED control panel lights illuminate a striking blue for an added pop of color
- + **Dual Ovens** - Dual ovens at 4.2 cu. ft. and 2.5 cu. ft. capacity allow you to cook multiple dishes at a time
- + **Continuous Cast - Iron Cooking Grates** - Heavy-duty continuous cast-iron cooking grates that can handle any size cookware
- + **15,000 BTU Griddle** - The 15,000 BTU griddle offers additional cooking space and flexibility
- + **Brilliant Blue Porcelain Interior** - The brilliant blue porcelain interior adds a bold, stylish touch to your professional range
- + **Heavy Duty Control Knobs** - Heavy duty, die-cast metal burner control knobs add style and durability
- + **Black Porcelain Spill Tray** - Black porcelain spill tray on cooktop catches the mess and makes cleanup easy

### ACCESSORIES (NOT INCLUDED)

Liquid Propane Gas Conversion Kit	LPKHRD4803U
30-inch Telescopic Rack (for 30-inch oven)	TR30SS
48-inch Island Trim	ITHRD4803U
Cast Iron Reversible Griddle	RG1022

**WARRANTY: TWO YEAR PARTS AND LABOR**



### PRODUCT DIMENSIONS

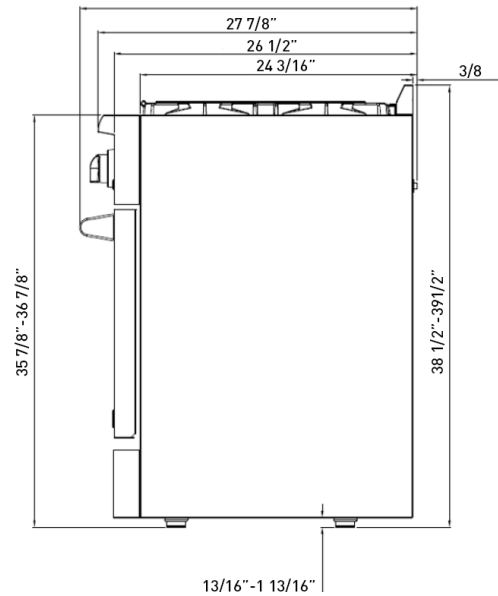
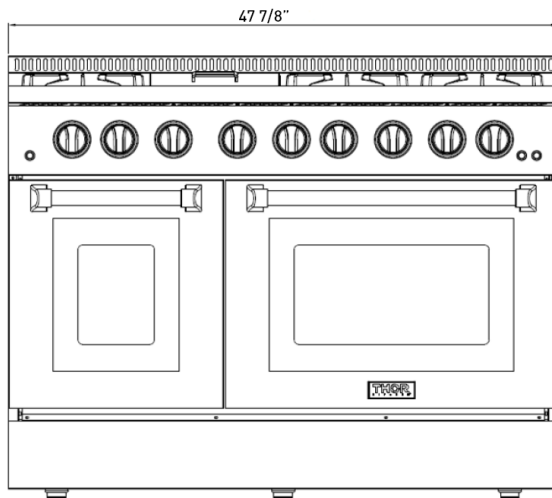
Product Width	47.9"
Product height (from bottom to top of back splash)	38 1/2" - 39 1/2"
Product height (from bottom to top of side panel)	35 15/16" - 36 15/16"
Product depth (from back panel to bullnose)	27 7/8"
Product depth (from back panel to control board)	26 1/2"
Product depth (from back panel to side panel front)	24 3/16"
Depth of control panel (minimum)	2 1/4"
Depth of control panel (bullnose)	3 11/16"
Cast iron cooking grate (W x L)	10 3/4" x 23"

### REQUIRED CUTOUT SIZE

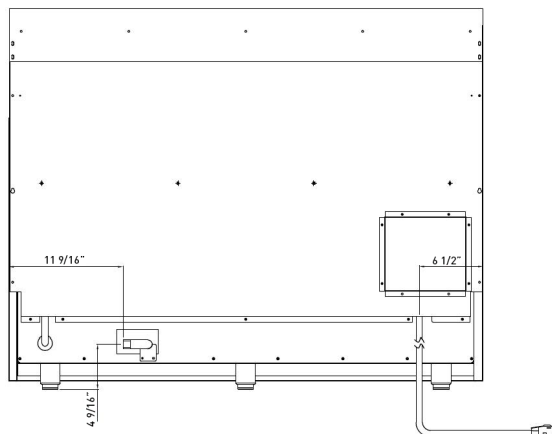
48 1/8" x 24 3/16" x 35 15/16" (+1")	
30" Oven Cavity Dimension	24"W x 15 1/4"H x 18"D
30" Oven Rack Dimension	22 3/4" x 15 1/2"
Distance Between Oven Rack	2 1/8"

### OVEN PERFORMANCE

Oven Capacity	6.7 cu. ft. (4.2 cu. ft. for 30-inch oven) (2.5 cu. ft. for 18-inch oven)
Bake Power (30-inch oven)	850 W (Top) / 3,000 W (Bottom)
Bake Power (18-inch oven)	2,500 W (Bottom)
Broil Power (30-inch oven)	3,500 W



NG: Input Pressure: 7 inches, Output Pressure: 5 inches  
 LP: Input Pressure: 11 inches Output Pressure: 10 inches  
 Regulator Location: Inside the kick Panel – Bottom Right  
 Size of Regulator: 1/2 inch



\*240V, 4-Prong 14-50R Power Outlet is not included with the product

