

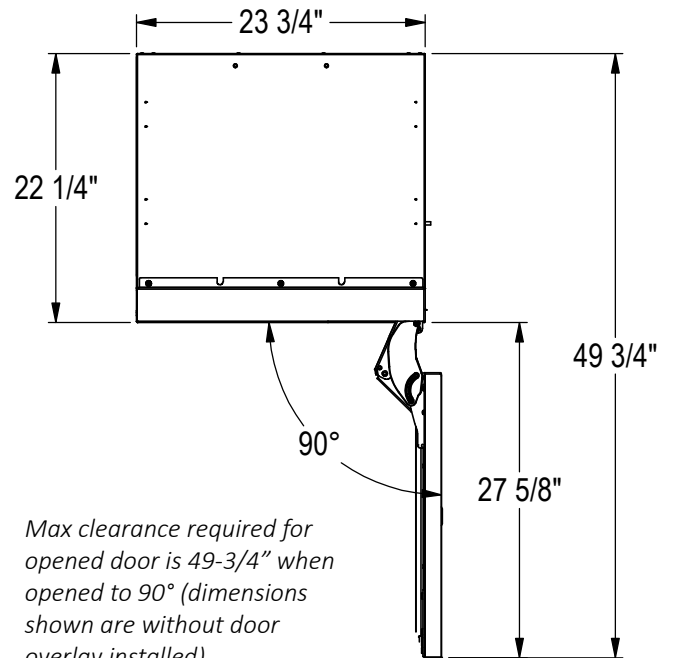
**QUICK FEATURES**

- Ready to accept custom or stainless steel panel
- Industry exclusive single temperature zone model for maximum capacity
- Smart humidity control maintains consistent humidity levels within the cabinet automatically.
- Touch-screen control streamlines the user experience. Enjoy access to smart settings for red, white and cellar temperatures, or customize to your preference in 1° increments. Access settings for lighting, Sabbath mode and more with a single touch.
- Triple-pane, UV-resistant glass provides protection from light
- Brightly illuminated by white and blue roll-on theatre lighting
- Convertible display shelf showcases 6 prized wine bottles with additional storage for 4 dessert (half sizes) wine bottles when angled up. Easily lays flat to store 11 bottles without additional parts and pieces.

**PRODUCT SPECIFICATIONS**

<b>Appliance Dimensions</b>	Exterior Width	23-3/4"
	Exterior Depth	24"*
	Exterior Height	83-11/16"
<b>Required Cutout Dimensions</b>	Cutout Width	24"
	Cutout Depth	25"
	Cutout Height	84"
<b>Depth with Door Open</b>	49-3/4" (less door overlay installed)	
<b>Product Weight</b>	534 lbs	
<b>Capacity</b>	12.6 cu. ft.	
<b>Electrical Requirements</b>	Electrical Supply	115V, 60 Hz., 1 Phase, 2.3 amps
	Electrical Service	15 amp dedicated circuit
	Power Cord/ Receptacle	NEMA 5-15 plug, 5' /3 prong grounding-type
<b>Max Bottle Capacity</b>	Single-Zone	94 (750 ml.)

\*Less panel. With typical 3/4" overlay panel installed, depth becomes 24-3/4"



Max clearance required for opened door is 49-3/4" when opened to 90° (dimensions shown are without door overlay installed)

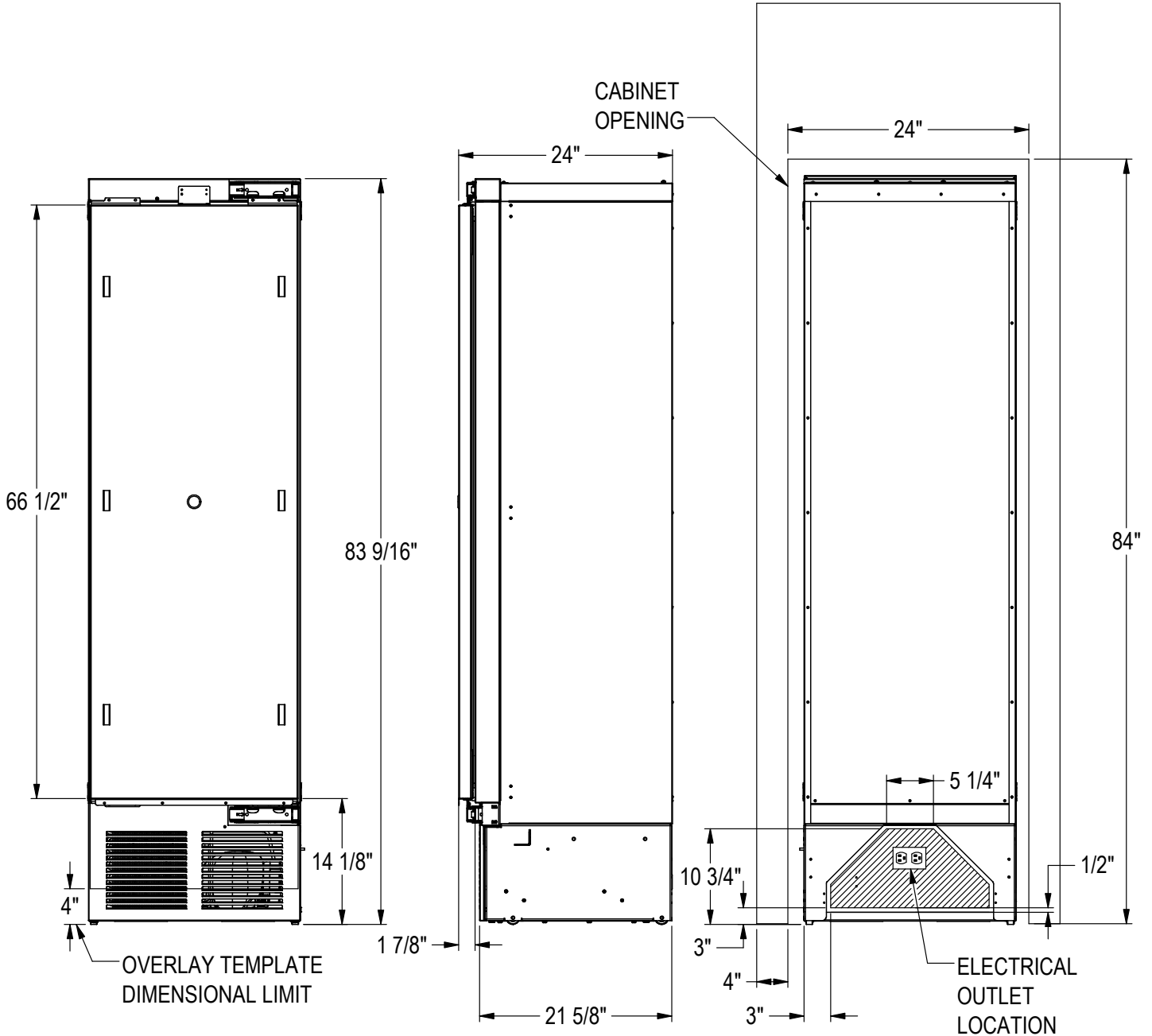
(please note that door opens to 105°)

**TEMPERATURE RANGES**

<b>Red Wine Mode</b>	Factory Set to 60° (Range 40°-68°F)
<b>White Wine Mode</b>	Factory Set to 50° (Range 40°-68°F)
<b>Cellar Mode</b>	Factory Set to 55° (Range 40°-68°F)

**AVAILABLE MODELS**

CR24W-1-4L	Single-zone wine, glass overlay ready, hinged left
CR24W-1-4R	Single-zone wine, glass overlay ready, hinged right



**ACCESSORIES**

- Dual installation kits
- Stainless steel exterior side finishing panels
- Stainless steel door panels with Perlick Pro Handle

Perlick accessories are available for purchase through an authorized Perlick dealer. For a full list of accessories and to find a dealer near you, visit [perlick.com/residential](http://perlick.com/residential).