



24" ADA-HEIGHT COMPLIANT SERIES
Freezer Drawers



ecofriendly
R600a Refrigerant



JOB	
AREA	
ITEM NO.	
MODEL NO.	



Drawer Model

MODELS	DESCRIPTION
HA24FB-4-5	Indoor ADA-Height Compliant Freezer Drawers Stainless Steel Drawers
HA24FB-4-6	Indoor ADA-Height Compliant Freezer Drawers Panel Ready Drawers

KEY PRODUCT FEATURES AND BENEFITS

- Industry's largest selection of ADA-height compliant models for accessible and aging in place designs
- 800 BTU/hr capacity delivers commercial grade cooling performance
- Variable speed compressor minimizes sound; up to 30% quieter than competitors
- Commercial-grade all stainless steel interior provides superior durability and easy cleaning; black vinyl exterior for built in applications

Quick Features:

- Industry's best full 6 year warranty for owner ease of mind
- Available with stainless steel or panel ready door to match your design style
- Audible door alarm warns user if door is held open
- White LED task lighting
- R600a Natural Refrigerant offers maximum energy efficiency with zero ozone depletion potential
- Smooth glide self-closing drawers offer high storage capacity



24" ADA-HEIGHT COMPLIANT SERIES
Freezer Drawers

MODEL NUMBERS		HA24FB
MODEL DESCRIPTION		24" ADA-Height Compliant Freezer Drawers
ATTRIBUTES		
Perlick Anti-Condensation System		NO
OVERALL DIMENSIONS	Width - in. (mm)	23-7/8" (606 mm.)
	Depth - in. (mm)	24" (610 mm.)
	Height - in. (mm)	32" (813 mm.)
OPENING DIMENSIONS	Width - in. (mm)	24" (610 mm.)
	Depth - in. (mm)	24-7/8" (632 mm.)
	Height - in. (mm)	32-1/4" (819 mm.)
INTERNAL VOLUME Net. Cu. Ft.		4.6 cu. ft total
SHIPPING WEIGHT Lbs. (kg.)		181 lbs (82.27 kg.)
ELECTRICAL SPECIFICATIONS	Electrical Supply	115 VAC/60 Hz/1 Ph
	Running Load Amps	2.2 amps
	Electrical Connection	Cord connected
	Cord Plug Type	NEMA 3 Prong 5-15P
	Cord Length	6'
	Defrost Initiation	Time
	Defrost Type	Hot Gas
	Thermostat	Digital
REFRIGERATION SPECIFICATIONS	Refrigerant	R600a (57g)
	Expansion Device	Capillary Tube
	Temperature Settings F°(C°)	-10° (-23.3°) - 10° (-12.2°) Factory Set Point 0° (-17.8°)
	Heat Rejection (at 75°F)	700 BTU/hr
	Pull Down Capacity	800 BTU/hr
	Front Vented	Yes
PLUMBING		None Required

Installation Notes: To achieve 24" install depth, place electrical connection adjacent to the installation cavity.

ACCESSORIES

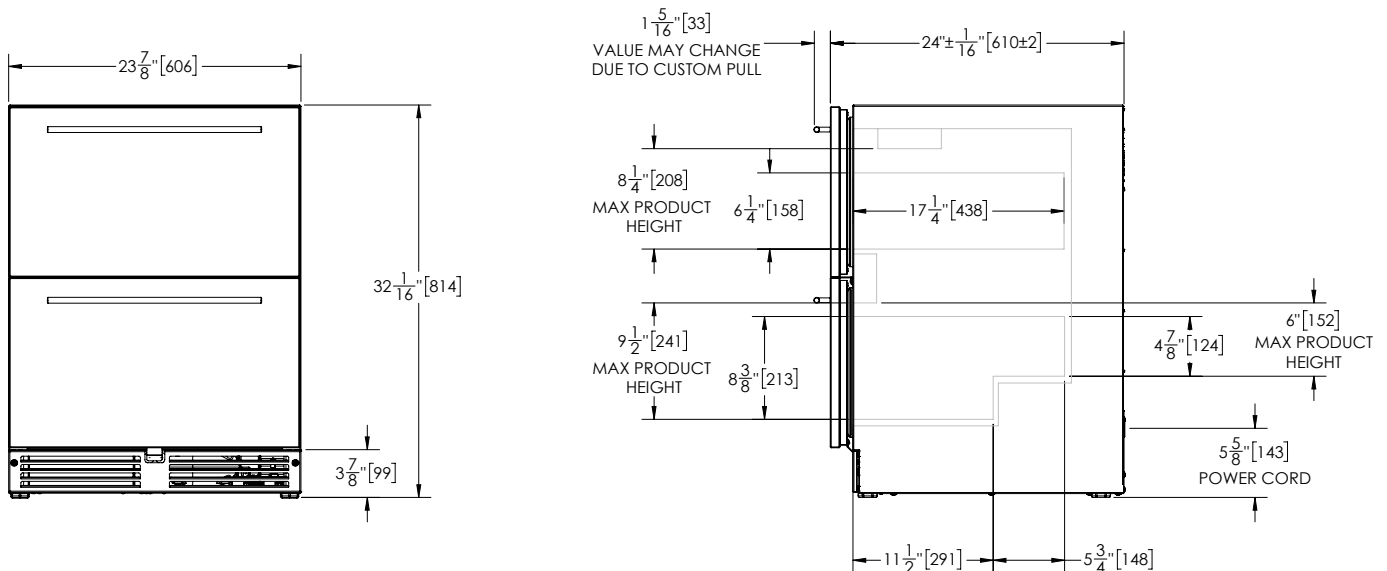
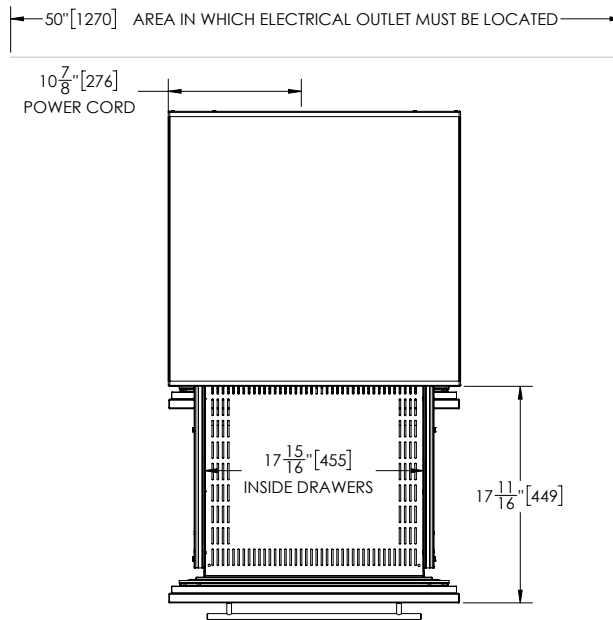
MODEL NOS.	DESCRIPTION
(DL)	Factory Installed Lock
67969	24" Stainless Steel Drawer Dividers
66736	Caster Kit for HP24/HC24/HA24 models
RK24DP	24" Drawer Prep Station Tray

Perlick accessories are available for purchase through an authorized Perlick dealer. For a full list of accessories and to find a dealer near you, visit perlick.com.



24" ADA-HEIGHT COMPLIANT SERIES
Freezer Drawers

CUSTOMER MODEL NUMBER	REGULATORY MODEL NUMBER	Hinge Side	Lock
HA24FB-4-5	HA24FB4E-00-EDF0D	Drawers	No
HA24FB-4-6	HA24FB4E-00-DD00D	Drawers	No
HA24FB-4-5DL	HA24FB4E-00-EDFLD	Drawers	Yes
HA24FB-4-6DL	HA24FB4E-00-DD0LD	Drawers	Yes



Form No. Z2756
Rev 09.29.2021