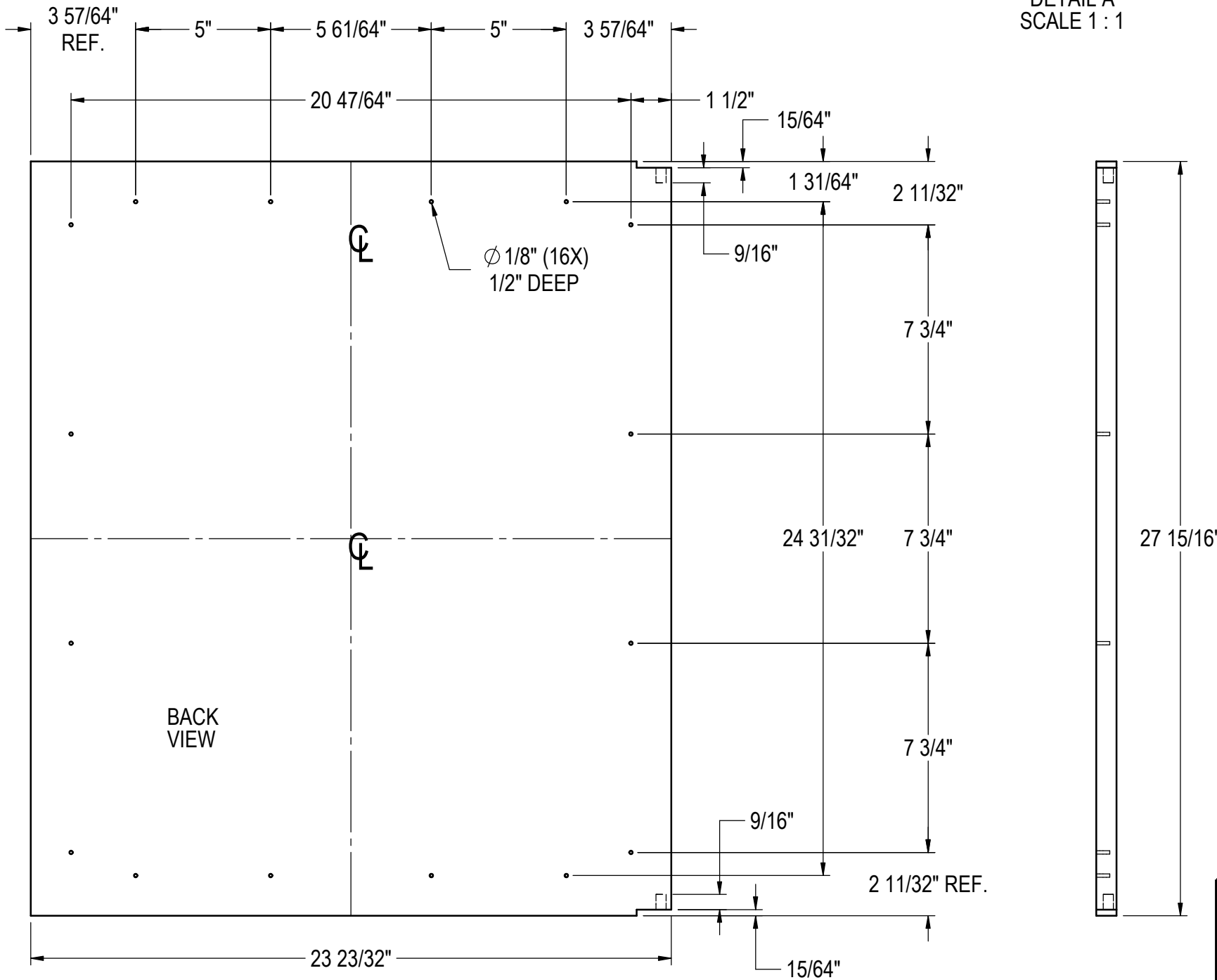
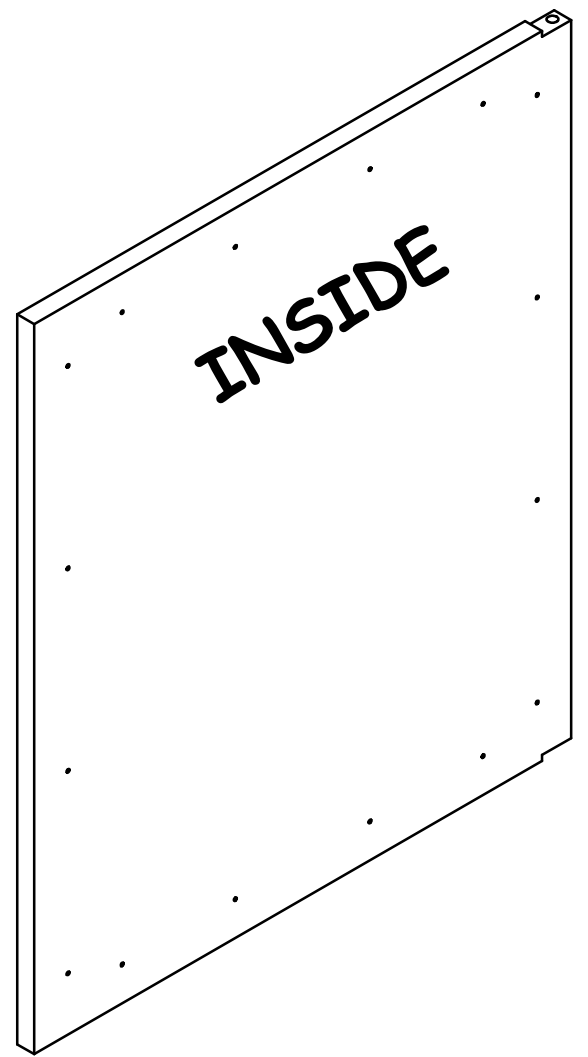


DETAIL A  
SCALE 1 : 1



BACK  
VIEW

Ø 1/8" (16X)  
1/2" DEEP



INSIDE

RELEASE FOR PRODUCTION		
A	11/10/2015	JMP
REVISIONS		

UNLESS OTHERWISE SPECIFIED: DIMENSIONS ARE IN INCHES TOLERANCES: .X = ±.05, .XX = ±.01, .XXX = ±.005, ANGULAR: ±.5°, FRACTIONS: ±1/64 BREAK SHARP EDGES - .015 X 45°. RADIUS SHARP FILLETS - .015 TO .031	SIGNATURES	DATE
	DESIGNED JMP	11/10/2015
	DRAWN JMP	11/10/2015
CHECKED	11/10/2015	

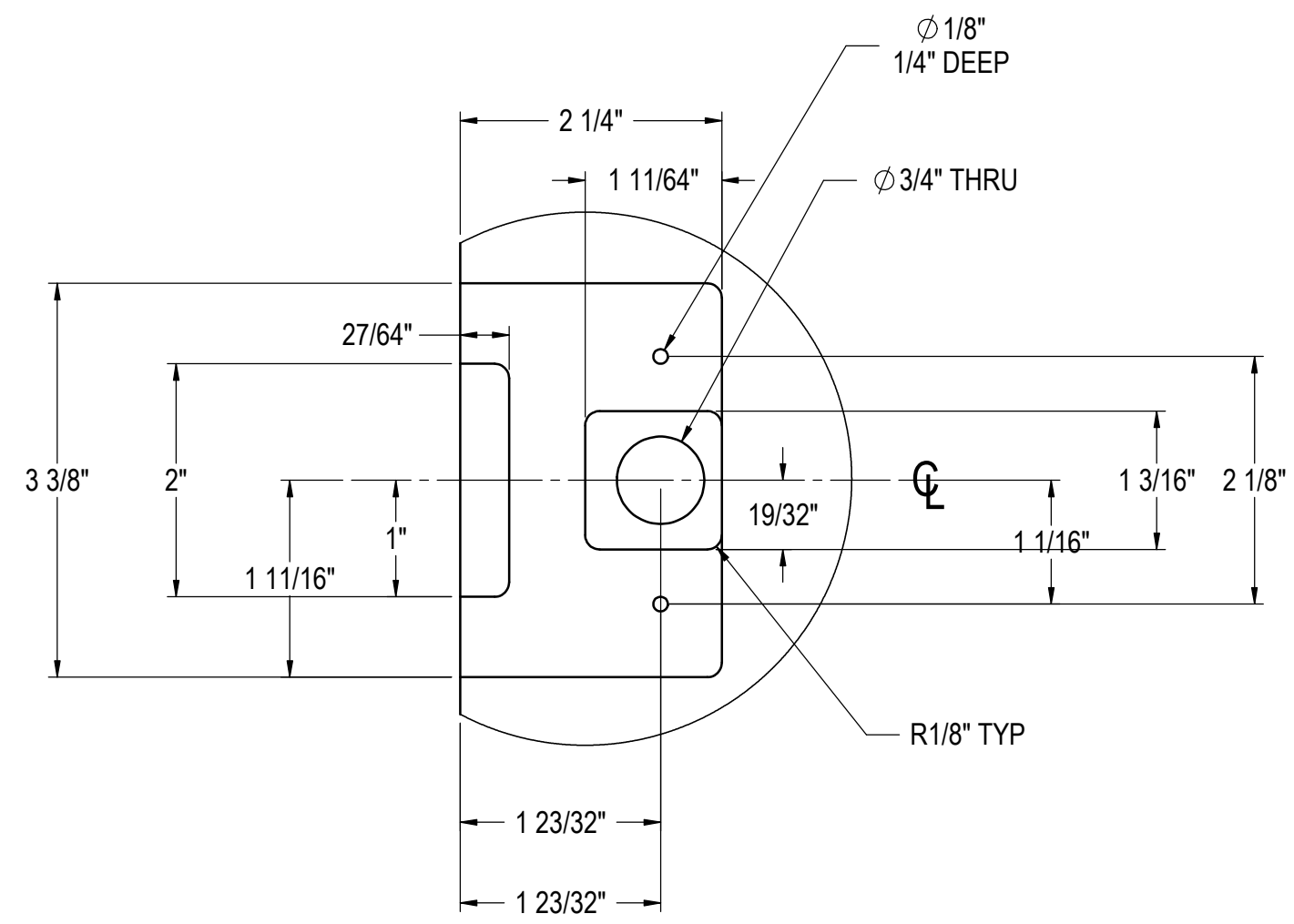
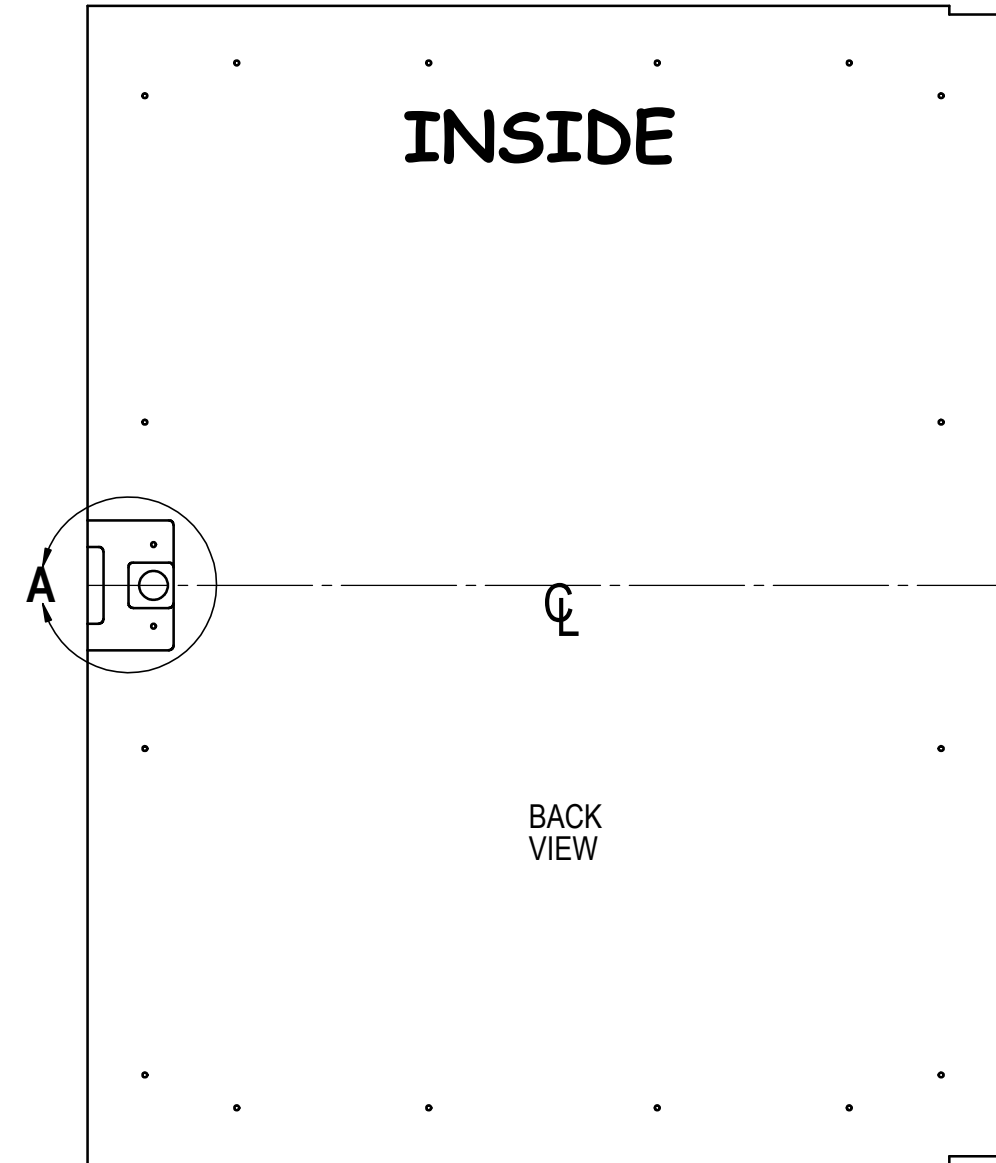
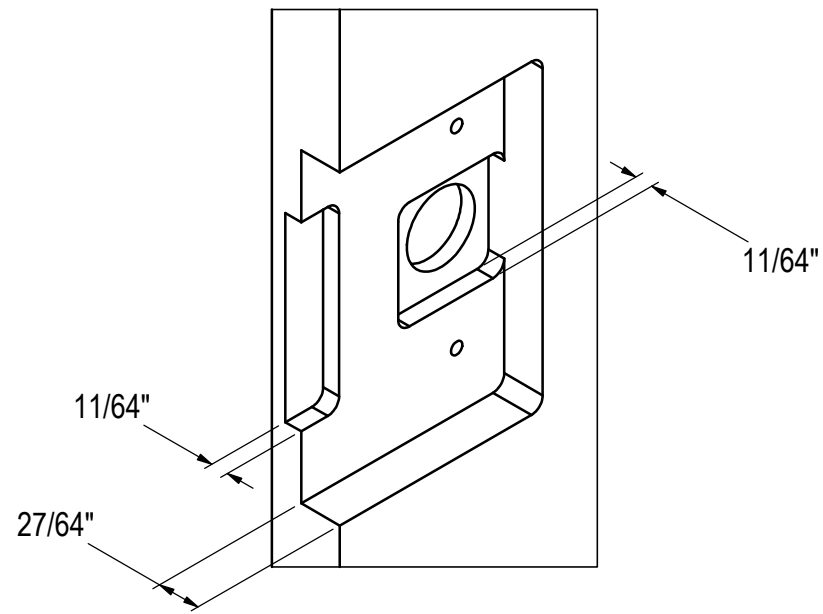
**Perlick Corporation**  
Milwaukee, Wisconsin

TITLE:  
**SOLID WOOD OVERLAY  
ADA DOOR**

MATERIAL: Wood	QTY.:
	FINISH:

REFERENCE: PART NO. 68134A-5	DWG NO. <b>68134A</b>
PURCHASE REC.:	SCALE = 1:5 SHEET 5 OF 16

**NOTE: VALID FOR ANY ORDERS  
ENTER ON OR AFTER JAN. 1, 2016**



DETAIL A  
SCALE 1 : 1.5

**NOTE: VALID FOR ANY ORDERS  
ENTER ON OR AFTER JAN. 1, 2016**

RELEASE FOR PRODUCTION		
A	11/10/2015	JMP
REVISIONS		

<small>UNLESS OTHERWISE SPECIFIED: DIMENSIONS ARE IN INCHES TOLERANCES: .X = ±.05, .XX = ±.01, .XXX = ±.005, ANGULAR: ±.5°, FRACTIONS: ±1/64 BREAK SHARP EDGES - .015 X 45°. RADIUS SHARP FILLETS - .015 TO .031</small>	<b>SIGNATURES</b>	<b>DATE</b>
	DESIGNED JMP	11/10/2015
	DRAWN JMP	11/10/2015
	CHECKED	11/10/2015

<b>MATERIAL:</b>	<b>QTY.:</b>
<b>FINISH:</b>	

<b>Perlick Corporation</b> Milwaukee, Wisconsin	
<b>TITLE:</b> SOLID WOOD OVERLAY RESIDENTIAL DOORS W/LOCKS	
<b>REFERENCE:</b>	<b>DWG NO.</b>
PART NO.	<b>68134A</b>
<b>PURCHASE REC.:</b>	<b>SCALE = 1:5</b>
	<b>SHEET 15 OF 16</b>

THIS DOCUMENT / PUBLICATION / SOFTWARE / DRAWING CONTAINS PROPRIETARY INFORMATION WHICH IS THE PROPERTY OF THE PERLICK CORPORATION. IT MAY NOT BE REPRODUCED OR TRANSMITTED IN ANY FORM, ELECTRONIC OR MECHANICAL, INCLUDING PHOTOCOPYING, RECORDING, OR USED IN ANY INFORMATION STORAGE, TRANSMISSION, OR RETRIEVAL SYSTEM, WITHOUT WRITTEN PERMISSION FROM THE PERLICK CORPORATION. COPYRIGHT 2001 PERLICK CORPORATION. ALL RIGHTS RESERVED.