

FOTILE

RANGE HOOD

User Manual | JQG7501

Please read the following safety information carefully before installing and/or using this appliance.
We recommend that you keep this manual for future use and/or in case of transfer of ownership
of the range hood

FOTILE America LLC

* Address: 6 Campus Dr, Suite 210, Parsippany, NJ 07054

* Toll Free: 888-315-0366

* Website: www.fotileglobal.com/us

* Service Mail: serviceusa@fotile.com



FOTILE YouTube



US WeChat Service

FOTILE Toronto Flagship Store

* Address: 8365 Woodbine Ave, Markham, L3R2P4

* Toll Free: 844-315-0315

* Website: www.fotileglobal.com/ca

* Service Mail: info@fotileca.com



FOTILE YouTube



Canada WeChat Service

Thank you!

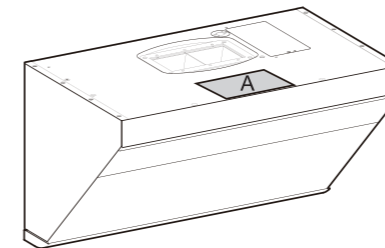
Dear User, thank you for purchasing the Fotile Range Hood. At Fotile, we manufacture exquisite appliances that are expertly crafted with the finest materials. Before using the Fotile Range Hood, please take some time to read through this Product Manual (manual). It will familiarize you with important safety, operation and maintenance instructions, as well as help maximize your culinary experience.

Before using the Fotile Range Hood, you must follow the instructions, as specified in this manual. Any damage resulting from the improper operation and/or maintenance of the appliance may result in the loss of warranty. The warranty will become invalid, and your warranty application, whether direct or indirect, will not be accepted by authorized service center of Fotile. If you require warranty or post-warranty after-sale service, please contact the local authorized service center of Fotile nearest you.

Your satisfaction with the Fotile brand is important to us. Our after-sales service centers provide assistance in resolving issues with Fotile appliances.

Product model and serial number on the plaque are required if you need services.

Position of plaque can be referred to in figure A as follows:



Contents

| | |
|---------------------------------------|----|
| 1 Safety Information | 22 |
| 2 Operation | 25 |
| 2.1 Product Information | 25 |
| 2.2 Operation | 26 |
| 3 Cleaning and Maintenance | 27 |
| 4 FAQ | 29 |
| 5 Service Information | 29 |
| 6 Installation | 30 |
| 6.1 Installation Instructions | 30 |
| 6.2 Product dimensions | 31 |
| 6.3 List of Accessories | 32 |
| 6.4 Installation Tools..... | 33 |
| 6.5 Installation Procedure | 33 |
| 6.6 Test Run After Installation | 41 |

Product features and specifications are subject to change, at any time, without notice and may be different from those in this material. Please visit our website at www.fotileglobal.com for the most up-to-date information.

In order to ensure the safe and efficient use of Fotile appliances, please take note of the following types of highlighted information that will be outlined throughout this manual:

IMPORTANT NOTE highlights information that is particularly important.

CAUTION signals a situation where minor injury or product damage may occur if instructions are not followed.

WARNING states a specific hazard that may cause serious injury or death if precautions are not followed.

SAFETY INFORMATION

In order to prevent accidental damage to the Fotile Range Hood and/or bodily injuries as a result of its operation, please read the following safety information installing and/or using this appliance. Following the instructions carefully will significantly reduce the risk of fire, electric shock and/or bodily injuries to persons. We recommend that you keep this manual for future use and/or in case of transfer of ownership of the range hood.

Important Note:

- This appliance is intended for indoor home cooking only; it cannot be used for outdoor cooking. Please use this product only according to the manufacturer's instructions. Fotile assumes no responsibility if you use it in special environment. Please contact a Fotile authorized service center if you encounter any problem.
- Check the appliance for damage after unpacking it. If you detect any obvious damage to the product, do not proceed with the installation. Please contact our authorized service center immediately.
- Avoid placing gypsum powder, construction dust, etc. within close proximity of the range hood.
- Operate the range hood only in the manner outlined in this product manual.
- When operating the range hood, do not leave the appliance unattended. If you have any questions and/or concerns, please contact our authorized service center.
- Operate, clean and maintain the range hood in accordance to the instructions outlined in this manual.
- Clean the metal grease filter according to the instructions.
- The range hood's motor has a thermal overload function, which automatically turns off the motor when it overheats. Once the motor cools down, the range hood will automatically restart. If the motor, continually turns off and restarts, please contact our authorized service center.
- If the range hood has not been in operation for an extended period of time, unplug the appliance.
- Please make sure correct installation and maintenance of the appliance. Installation work and electrical wiring must be done by qualified person(s), in accordance with all applicable codes and standards, including fire-rated construction codes and standards. The installation personnel should be responsible for normal operation of the appliance at the installed position.
- When operating the range hood in exhaust mode, ensure to install the damper along with the hood.
- For general exhausting only. Do not use this range hood to exhaust hazardous and /or explosive materials or gas.
- The product itself is nonflammable.
- In order to reduce the risk of fire, all exhaust pipes, flues and devices should be nonflammable. Use only metal duct cover and metal duct pipes. Never cover the hood with flammable plastic film or paper.
- Services guaranteed under warranty must be performed by Fotile certified service provider or personnel. The warranty is not effective for products removed for repair without authorization.
- Please read the specification label on the range hood for further information and requirements.
- Please install a supplementary air device if you install the high-power Range Hood in an airtight room. Due to the configuration of the Fotile Range Hood, it is recommended for users with an airtight new house to install a supplementary air device. Please comply with relevant regulations to install corresponding supplementary air device if there are relevant regulations in your state or region.
- This product is only used in USA and Canada.
- This product is for use in the U.S. and Canada only.

Caution:

- When applicable local regulations comprise more restrictive installation and/or certification requirements, the aforementioned requirements

will prevail, and installation personnel must conform to these requirements.

- The operating temperature of the range hood should not exceed 104 °F (40°C).
- Please do not place anything on top of the product. Anything placed on top may fall off or incline. For example, if you place seasoning bottles on top, the inclination may cause liquid to flow inside the product, resulting in damaged electrified components and therefore unnecessary risks. Our company will not bear the responsibility for free repair in case of product damage due to the above reason.
- Clean the Grease Cup frequently to prevent overflow. The resulting grease is inedible! Please do not place flammable materials in the oil cup, such as plastic wrap, paper towels, etc.
- When cutting or drilling into the wall or ceiling, be careful not to damage electrical wiring, water pipes, gas lines, or other hidden utilities.
- Adhere to the heating equipment manufacturer's guidelines and safety standards, such as those published by the National Fire Protection Association (NFPA), the American Society for Heating, Refrigeration and Air Conditioning Engineers (ASHRAE) and the local code authorities. Meanwhile, conform to the safety standards issued by such administrative departments as fire department.
- When gas burners are in operation without any cookware placed on them, they can build up a lot of heat. A ventilation appliance installed above the cooker may become damaged or catch fire. Only operate the gas burners with cookware on them.
- Adhere to the voltage and frequency settings listed in this manual to avoid possible damages to the range hood.
- Please use standard accessories provided by our company to prevent the range hood from falling down accidentally. The hole drilled in the wall should precisely match the size of the expansion pipe, otherwise, the range hood may loose and fall down.
- Tampered glass is applied to the products of the company and the tampering treatment of the glass determines the extremely little

possibility of spontaneous explosion. If the occurrence of spontaneous explosion is not due to improper use, our company promises free replacement of the accessories. The possibility of tempered glass breaking can be significantly increased in the following situations, which should be avoided: For instance, hitting the glass, especially the corners of the glass, with cooking utensils or other hard objects; The glass is impacted when you open a cabinet door around the Range Hood; Put the glass in an extremely hot or cold environment or an environment where heat and cold are excessively alternated.

- Unauthorized modification of this product can lead to risks.

Warning:

Risk of Electric Shock

A defective appliance may cause electric shock. Never switch on a defective appliance. Unplug the appliance from the mains or switch off the circuit breaker in the fuse box in case of problems, and contact our authorized service center.

- The range hood should be connected to a standard power socket with safe grounding. Midway connection, prolonged electric line or multi-socket wiring may cause electric shock, overheating and, in some cases, result in a fire. Installation of the range hood should be performed by professional electricians in strict accordance with electricity standards and regulations of the local area. Before connecting the rod, turn off the power source and take appropriate measures to prevent auto closing of the power switch.
- In order to prevent electric shock and/or other bodily injuries to persons, do not exceed 120V AC input.
- Do not install the range hood in a bathroom and/or a humid area, as this will significantly increase the risk of electric shock.
- If a wire is damaged or defective, contact an authorized service provider or a qualified technician (provided by Fotile) to replace the wire.
- Do not change, stretch, knot, pressure or squeeze the wire as any resulting damage can

result in electrical and/or fire hazards.

- Prevent water from coming into contact with the range hood's electrical components, such as the motor, switch and connector. Do not wash the appliance with water. Do not use the appliance if it is wet, as electric leakage and/or electric shock may occur.
- Do not attempt to change the range hood's internal wiring system. Improper modifications and/or repairs to the internal wiring can result in bodily injuries to persons, electric shock and/or a fire.
- In order to avoid electric shock, remember to turn off the appliance's power source before installation, cleaning and/or maintenance service.
- Avoid using high-pressure detergents and/or steam cleaners on the appliance, as they may result in electric shock.
- Do not touch the plug or switch with wet hands, as an electric shock may occur.

Grounding Instructions

- This appliance must be grounded. In the event of an electrical short circuit, grounding reduces the risk of electric shock by providing an escape wire for the electric current. This appliance is equipped with a cord having a grounding wire with a grounding plug. The plug must be plugged into an outlet that is properly installed and grounded.
- Improper grounding can result in electric shock.
- Consult a qualified electrician if the grounding instructions are not completely understood, or if doubt exists as to whether the appliance is properly grounded.
- Do not use an extension cord. If the power supply cord is too short, have a qualified electrician install an outlet near the appliance.

Risk of Fire

- In order to reduce the risk of fire and to properly exhaust air, always duct the air outside. Do not vent exhaust air into spaces within walls, ceilings, attics, crawl spaces and/or garages.
- In order to prevent the risk of fire, the range hood should be operated and maintained in accordance to the instructions.

- Hot oils may ignite and burn quickly. Never leave hot oils unattended.
- Clean the hood's Grease Cup at regular intervals, as leftover grease deposits may ignite.
- Never operate the range hood without the Grease Cup filter attachment.
- Never work with naked flames close to the appliance (e.g. flambéing). Do not install the appliance near a heat-producing appliance for solid fuel (e.g. wood or coal) .There must be no flying sparks.
- Avoid cooking with food products that produce flames under the range hood.

To Reduce Risk of Cooktop Grease Fire:

- A) Never leave surface units unattended at high settings. Boilovers cause smoking and greasy spillovers that may ignite. Heat oils slowly on low or medium settings.
- B) Always turn the hood on during cooking.
- C) Clean ventilating fans . Grease should not be allowed to accumulate on fan, filter or in exhaust ducts.
- D) Use proper pan size. Always use cookware appropriate for the size of the surface element.

To Reduce the Risk of Injury to Persons in the Event of a Range Top Grease Fire, Observe the Following:

- Smother flames with close-fitting lid, cookie sheet, or metal tray, then turn off the burner. Be careful to prevent burns. If the flames do not go out immediately, evacuate and call the fire department.
- When the cooking utensil catches fire, switch off the range hood immediately. Effective extinguishing measures must be taken at once, such as covering the open flame with metal cover, turning off the master gas valve and keeping flammable substance from the open flame etc.)
- Never pick up a flaming pan—you may be burned.
- Do not use water, including wet dishcloths or towels—a violent steam explosion will result.

Use an Extinguisher Only If:

- You know you have a class ABC extinguisher and you already know how to operate it.
- The fire is small and contained in the area

where it started.

- The fire department is being called.
- You can fight the fire with your back to an exit

Risk of Injury

- This appliance is not intended for use by persons (including children) with reduced physical, sensory or mental capabilities, or lack of experience and knowledge, unless they have been given supervision or instruction concerning use of the appliance by a person responsible for their safety. Children should be supervised to ensure that they do not play with the appliance.
- The range hood may have sharp edges. Be careful to avoid cuts and abrasions during installation and cleaning. Do wear qualified protective gloves.
- The accessible parts become very hot when in operation. Never touch hot parts. Keep children at a safe distance.
- Do not touch lamps during or soon after operation. Burns may occur.
- Do not insert your limbs and/or foreign objects into the impeller while the range hood is in operation, as that action might cause injury.
- This appliance is not intended for operation with an external clock timer or a remote control.
- Incorrect repairs are dangerous. Repairs may only be carried out and damaged power cables replaced by one of our trained after-sales technicians..
- If any abnormalities and/or defects occur while operating the range hood, immediately turn off the appliance and unplug the appliance from the mains or switch off the circuit breaker in the fuse box. Then, contact our authorized service center. Abnormal operation and defects may cause hazardous situations, such as electric shocks and fires.
- This product contains chemicals known to the State of California to cause cancer, and birth defects or other reproductive harm. For more information, please go to: www.P65Warnings.ca.gov

Risk of Suffocation:

- Packaging material is dangerous to children. Never allow children to play with packaging material, which may cause suffocation. Keep all packing material out of proximity to children. Please remember that packaging materials should not be treated as toys.

Risk of Death:

- Risk of poisoning from flue gases that are drawn back in.
- Always ensure adequate fresh air in the room if the appliance is being operated in exhaust air mode at the same time as room air-dependent heat-producing appliance is being operated. Exhaust gases through the flue (chimney) of fuel burning equipment to prevent back drafting.
- Fatile is not responsible for injuries caused by improper and/or incorrect operation of the range hood.

OPERATION

Warning

1. Do not use excessive force to press buttons on the control panel.
2. Turn off gas burners without any cookware placed on them.
3. Do not disassemble the appliance with power on and/or without complying with instructions.
4. Clean the Grease Cup frequently to prevent overflow and a potential fire.
5. Disassembly and/or servicing of the range hood must be performed by qualified technicians.
6. Do not let the stove fire burn the range hood directly.

Product Information

| | | |
|--|---|-----|
| Model | JQG7501 | |
| Produce size L*D*H | 29 7/8 × 18 1/4 × 17 7/16 " (758 × 462 × 442 mm) | |
| Net weight | 63.9 lbs(29Kg) | |
| Voltage/Frequency | 120V/60Hz | |
| Rated power input of the range hood | 256 W (light power included 3W × 2) | |
| CFM(HVI) | high setting | 530 |
| | medium setting | 410 |
| | low setting | 230 |

| | | |
|---------------------|----------------|---------------------|
| Noise | high setting | 54.3dB(A)(6Sones) |
| | medium setting | 49.2dB(A)(3.9Sones) |
| | low setting | 39dB(A)(1.2Sones) |
| Max static pressure | 400 Pa | |

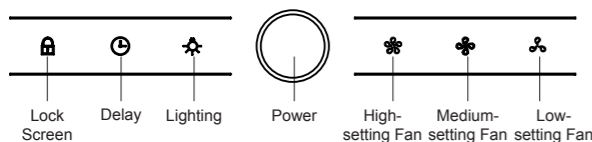
Caution:

1. dB noise in the above table complies with the IEC60704 standard, it is the sound pressure level, the corresponding sound power level is: High setting 68.3dB(A), medium setting 63.2dB(A), low setting 53dB(A).
2. The noise --Sones -- in the above table is tested in accordance with HVI-915-2015 in HVI-accredited laboratories in American.
3. Such parameters as noise may have a deviation of less than 5%.



Operation

1. Fotile Range Hood Control Panel



2. Operation Procedure

(1) ○ POWER

The POWER button activates the range hood. Once you press the POWER button, the button will fully illuminate and the other buttons on the control panel will display low illumination. Lightly press the POWER button again to turn off the range hood. Once the range hood is off, all buttons will cease to illuminate and the smoke baffle plate will close automatically. With the exception of the LOCK SCREEN button, the control panel's functions will only work when the POWER button is active.

(2) ⚙️ HIGH-SETTING FAN

The HIGH-SETTING FAN opens the smoke baffle plate and operates the fan on high-setting. Once pressed, the button will fully illuminate. Press the button again and the fan will stop and the button will return to low illumination.

(3) ⚙️ MEDIUM-SETTING FAN

The MEDIUM-SETTING FAN opens the smoke baffle plate and operates the fan on medium-setting. Once pressed, the button will fully illuminate. Press the button again and the fan will stop and the button will return to low illumination.

(4) ⚙️ LOW-SETTING FAN

The LOW-SETTING FAN opens the smoke baffle plate and operates the fan on low-setting. Once pressed, the button will fully illuminate. Press the button again and the fan will stop and the button will return to low illumination.

(5) ✨ LIGHTING

The LIGHTING button opens the smoke baffle plate and turns on the lights. Once pressed, the button will fully illuminate. Press the button again and the light will turn off and the button will return to low illumination.

(6) ⌚ DELAY

The DELAY button activates a two-minute delay. Once pressed during operation, the button will fully illuminate. Two minutes later, the range hood stops operating and the smoke baffle plate closes automatically.

If you press the DELAY button once during the two-minute delay, the range hood will resume operating and the DELAY button will return to low illumination.

If you press any other control panel button once during the two-minute delay, the range hood will resume operating and the DELAY button will return to low illumination. The range hood will operate as the pressed button suggests.

(7) 🔒 LOCK SCREEN

The LOCK SCREEN locks the entire control panel's functionality. Once pressed and held for 2 seconds, you will hear a "beep" sound and the LOCK SCREEN

button will illuminate fully. In order to unlock the control panel, you must press and hold the LOCK SCREEN for another 2 seconds. The control panel functionalities will unlock and the button will return to low illumination. LOCK SCREEN cannot be engaged when the fan is in operation. If LOCK SCREEN is pressed at that time, an alarm sound will engage.

Note: If there is no operation for two minutes in the standby state, the range hood will shut down automatically.

CLEANING AND MAINTENANCE

Important Note:

Reattach the grease filter after cleaning and maintenance of the range hood. Do not operate the appliance without the grease filter, as it may cause safety hazards.

Caution:

Risk of damage due to corrosion.

- Always switch on the appliance while cooking to avoid condensation. Condensate can produce corrosion damage.
- Surface damage due to incorrect cleaning. Clean stainless steel surfaces in the direction of the grain only. Do not use any stainless steel cleaners for operator controls.
- Surface damage due to strong or abrasive cleaning agents.
- Replace faulty LED lights to prevent the remaining lights from overloading.

Warning:

- The range hood should only be cleaned as instructed; otherwise, it may ignite.
- Please remember not to wet the motor and/or the control panel, as it may result in damaging the electric circuits or potential hazards.
- Do not clean the appliance with chemical agents, such as gasoline, acids, benzene and solvents.

Risk of Electric Shock:

- Penetrating moisture may result in an electric

shock. Prior to cleaning and maintenance, pull out the mains plug or switch off the circuit breaker in the fuse box.

- Do not use any high-pressure cleaners or steam cleaners, which can result in an electric shock.

Risk of Fire:

- Grease deposits in the grease filter and Grease Cup may catch fire.
- Please do not place flammable materials in the oil cup, such as plastic wrap, paper towels, etc.
- Please avoid excessive accumulation of oil and regularly clean oil cup and other components which can accumulate oil.

Risk of Injury:

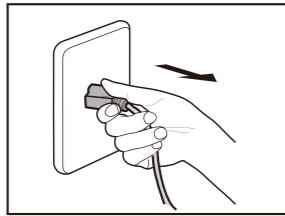
- Unplug the appliance from the mains or switch off the circuit breaker in the fuse box before installation, cleaning, maintenance and repair in order to avoid electric shock.
 - The range hood may have sharp edges. Be careful to avoid cuts and abrasions during installation and cleaning. Do wear qualified protective gloves.
 - While the range hood is in operation, do not insert your hand into the area housing the fan.
 - The appliance will become hot during operation, especially near LED lights. Allow the appliance to cool down before cleaning. Do not touch lamps during or soon after operation. Burns may occur.
 - If you would like to schedule a deep cleaning for your appliance, please contact our authorized service center.
 - Fotile suggests that you clean the surface of the appliance for better use.
- 1) Neutral detergent may be used to clean stains on the range hood. However, avoid touching the control panel. Wipe some detergent on the stains and let the detergent sit. Do not let the detergent sit for an extended period of time, as it can cause damages to the appliance's surface. Then, wipe off the stain with a soft cloth and the left detergent with a slightly wet cloth. Next, use another cloth to dry the appliance.

- 2) Stains on the range hood should be cleaned within a short time period, as to prevent the stains from becoming permanent.
- 3) Abrasive detergents, such as a salt solution, disinfectant or bleach powder cannot be used to clean the appliance. Wipe off the detergent with a wet, soft cloth. Next, use another cloth to dry the appliance.

Warning: Do not clean the appliance with abrasive tools, such as steel wool, brushes, and coarse cloths, as these materials will permanently scratch the surface of the hood.

Preparations before Cleaning:

1. Unplug the range hood or turn off the power socket.

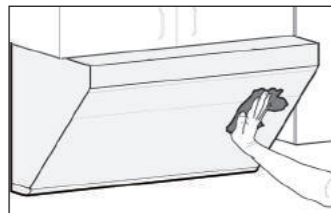


2. Clear the cookware on the burners.
3. Prepare a neutral detergent and a soft cloth (or soft brush) for stain removal and cleaning.

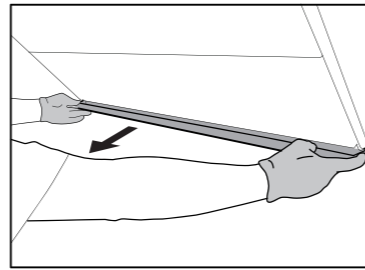


Washing and cleaning the surface, Grease Cup, and grease filter: (The cleaning can be done by the user)

1. Clean the surface of the range hood.

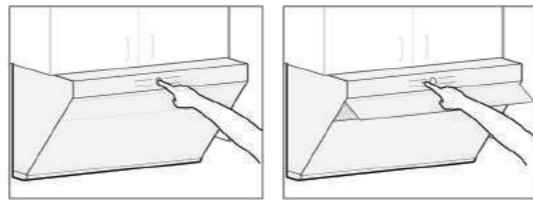


2. Take out the oil cup horizontally and wash it.

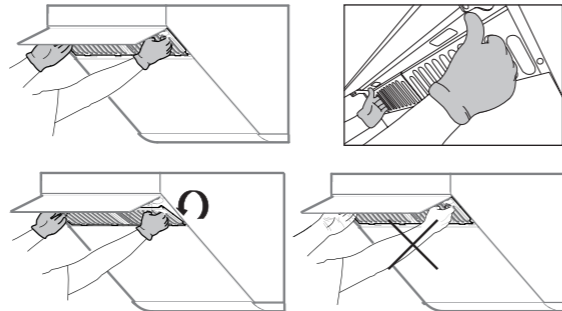


Warning: For the safety of you and your family, please regularly clean out the oil in the oil cup and sediment on the external surface of the oil cup to avoid fire risk. Please operate with protective gloves.

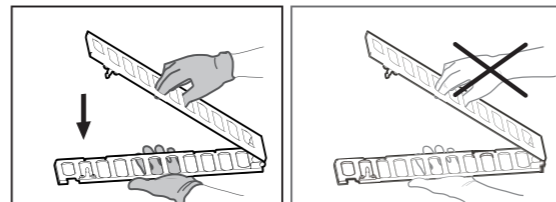
3. Lightly press the POWER button. Then, lightly press the LIGHTING button. After the LIGHTING button is pressed, the smoke baffle plate will open.



4. Hold the two sides of the grease filter and pull sideward to unlock it.



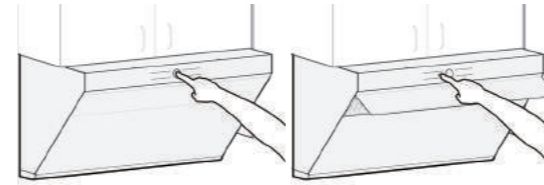
★ **Suggestion:** In order to protect the health of you and your family, the filter should be cleaned regularly and it is dishwasher safe for your convenience.



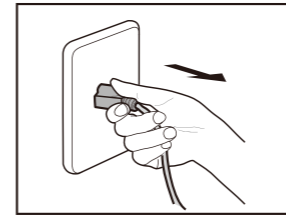
Warning: Please wear the qualified protective gloves in operation.

Replacing LED Lights:

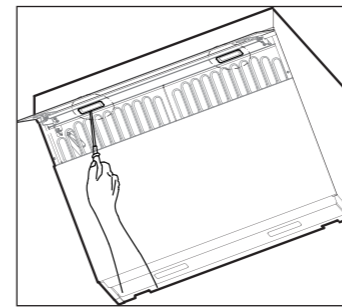
1. Lightly press the POWER button; then, press the LIGHTING button. After the LIGHTING button is pressed, the smoke baffle plate will open.



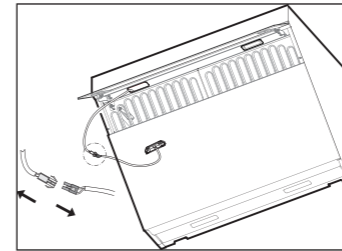
2. Unplug the range hood or turn off the power socket.



3. Use a small flat-head screwdriver to gently pry the LED assembly out.



4. Disconnect the wires and then replace the LED lights.



Use type lamp is self-ballasted fluorescent reflector lamp - Integral induction type ballast.

- Max wattage: 3W
- Voltage range: 8.5~12V
- Dimensions: width 2 13/16"(70 mm)/depth 7/8"(21 mm)/height 3/4"(19mm)

Risk of Electric Shock:

To avoid electric shock, please disconnect the

power plug or shut off the power supply of the range-hood socket before replacing the LED light.

FAQ

Warning: Risk of Electric Shock

- Incorrect repairs are dangerous. Repairs may only be carried out and damaged power cables replaced by our authorized service center, or certified electricians.
- If there is a defect in the product, please disconnect the power plug or shut off the power supply of the range-hood socket in order to avoid electric shock. Please contact the service center authorized by FOTILE.
- To avoid electric shock, please disconnect the power plug or shut off the power supply of the range-hood socket before replacing the LED light.
- If an abnormal condition occurs during use, immediately stop using the product and disconnect the power plug or shut off the power supply of the range-hood socket in order to check the following:

| Problem/Issue | Possible Cause |
|---|--------------------------------|
| After the POWER button is pressed, the range hood remains off and the button does not illuminate. | The appliance may be unplugged |
| The motor works, but the control panel buttons do not illuminate. | LED lights have been damaged |

If the problem/issue with the appliance still persists after ruling out the possible cause(s), please contact our authorized service center for assistance.

SERVICE INFORMATION

Warning

- In the event of an abnormal condition during the use of the range hood, please stop using it,

disconnect the power plug or shut off the power supply of the range-hood socket. Please contact the service center authorized by FOTILE.

- The appliance must only be repaired by professionally trained and certified technician; otherwise, severe injuries may occur. The ventilator shall be not allowed to be repaired by any party other than Fotile's appointed technicians. Otherwise it may cause serious consequences and exempt the product from warranty.
- Please do not repair or replace any part of the Range Hood unless it is specifically suggested in the manual. All other maintenance work should be carried out by qualified technicians.
- The following circumstances do not fall into the scope of free warranty, and a fee will be charged for repair.
 - 1) Damage resulting from improper handling, installation, use, maintenance and safekeeping conducted by customer.
 - 2) Failure and damage caused by using the product beyond the normal operating conditions (damage caused in the case that the voltage is higher than 132V or lower than 104V).
 - 3) The product installed, dismantled or repaired by customer or any party other than Fotile's appointed service staff or agency.
 - 4) Discrepancy between the information on the purchase voucher and the warranty card and the product.
 - 5) Product damage caused by force majeure (such as natural disaster and war, etc.).
 - 6) Product failure or damage arising from use not in conformity with the "instructions".

INSTALLATION

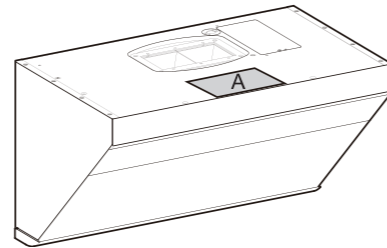
6.1 Installation Instructions

Important Note:

- Prior to installation, please read the Fotile Range Hood Installation carefully and save it for the local inspector's future reference.
- This appliance must be installed in accordance with National Electrical Codes, as well as all

state, municipal and local codes.

- The appliance must be equipped with safe circuit breaker and installed with safe grounding.
- The correct voltage, frequency and amperage must be supplied to the appliance according to the proper voltage, frequency and amperage ratings listed on the product rating plate.
- This installation must be completed by Fotile authorized service center, or certified installers.
- Please record the model and serial number before installing the range hood. Position of plaque can be referred to in figure A as follows:



Caution:

- Please carefully read all instructions prior to installation. Please give special consideration to the following items:
 1. If you are renovating your kitchen, be careful to not expose the exterior of the range hood. Building materials, dust, paint, coating, and gases will corrode and tarnish the surface of the range hood. It is recommended that you install the range hood after all renovations are completed.
 2. If you need to remove your gas burner before installation, please turn off the main gas valve first.
 3. Do not connect the range hood duct to a duct used to exhaust hot air or fumes from another appliance.
 4. Two installers are recommended due to the large size and heavy weight of the range hood. Since the installation is complex and the appliance is heavy, professional installers are required to install the appliance as outlined in this manual.
 5. After the appliance fixed, the plug should be accessible.
 6. Make sure to keep the appliance horizontally.
 7. Ensure that the appliance functions normally after the installation is complete.

Warning:

- In order to reduce the risk of fire, electric shock, or injury to persons, please carefully read the following:
 1. The installation and wiring of the appliance should only be carried out by a professional electrician in accordance with current national or local electric safety regulations, including fire-rated construction. Non-professional personnel should not conduct installation. Proper installation is the responsibility of the installer. Product failure due to improper installation is not covered under the Fotile warranty.
 2. Please use standard installation equipment and tools provided by Fotile to ensure safe installation. Make sure to use the expansion tube and expansion bolt provided by our company, in case the range hood falls down accidentally. The hole drilled into the wall should precisely match the size of the expansion tube, otherwise the range hood will not be properly secured to the wall and may fall down.
 3. The range hood should be connected to a standard power socket with safe grounding. The midway connection, prolonged electric line or multi-socket wiring may cause electric shock, overheating and even fire. Power off before wiring and make sure proper measures have been taken to avoid unexpected connection.
 4. During installation, switch off the circuit breaker in the fuse box during installation. If the supply cord is damaged, it must be replaced by a special cord or assembly available from the manufacturer or its service agent.
 5. The appliance should only be installed, removed and maintained by qualified technicians to prevent risks like electric shocks, falling or fires from occurring.

Risk of Injury:

- Unplug the appliance from the mains or switch off the circuit breaker in the fuse box before

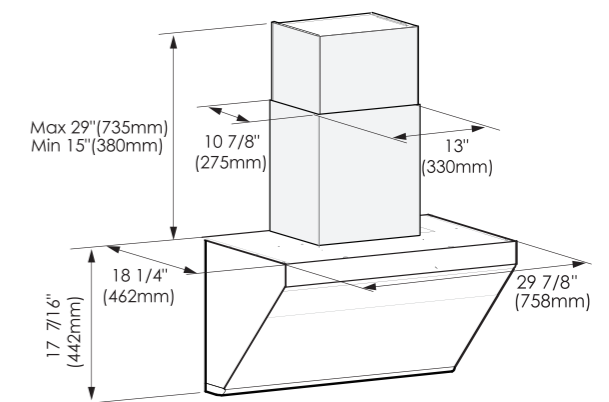
installation, cleaning, maintenance and repair in order to avoid electric shock.

- The range hood may have sharp edges. Be careful to avoid cuts and abrasions during installation and cleaning. Do wear qualified protective gloves.

Warning Before Installation

- Prior to installation, ensure that the exhaust outlet is free of debris, as they may damage the range hood.
- A straight and short ducting run will ensure a high performance of the range hood.
- A curving and long ducting run should be avoided, as it will lower the performance of the range hood.
- Strictly seal the connection between the duct and duct hole with duct tape. Ensure that the connection between the duct and the duct cover is secure, and seal it with aluminum tape.
- A small duct hole will lower the performance of the range hood. Therefore, it is highly recommended that you cut a duct hole equal to or larger than 6" (152.4mm) of the size.
- The bolts used in this product are metric-size bolts, please do not apply any unqualified bolts.

6.2 Product Dimensions



Wall Preparation

The wall should be strong enough to support the range hood. As for hollow wall or hollow plate, The

minimum thickness of the lumber should be 13/16" (30mm). As for concrete wall, the installation can be directly operated. The range hood should be firmly fixed on the wall.

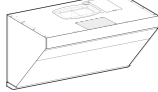



Ductwork Installation

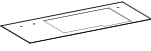


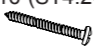

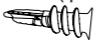
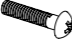



Risk of Injury:

- Unplug the appliance from the mains or switch off the circuit breaker in the fuse box before installation, cleaning, maintenance and repair in order to avoid electric shock.
- The range hood may have sharp edges. Be careful to avoid cuts and abrasions during installation and cleaning. Do wear qualified protective gloves.
- When cutting or drilling into walls or ceilings, do not damage electrical wiring and other hidden utilities.
- Ducted fans must always be vented to the outdoors.
- To reduce the risk of fire and to properly exhaust air, always duct air outside. Do not vent exhaust air into spaces within walls, ceilings, into attics, crawl spaces or garages.

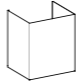
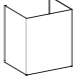





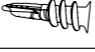

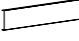
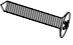
6.3 List of Accessories:

Packing List

| Standard Configuration | |
|---|---|
|  | 1 |
|  | 1 |
|  | 1 |
|  | 1 |
|  | 1 |

| | |
|---|-----------------------------------|
|  | 1 |
|  | 1 |
|  | 1 |
|  | 4 |
|  | 4 |
|  | 4 |
|  | 4 |
|  | 4 (One of them is for standby) |
|  | 4 (1 for standby) |
|  | 4 |

The following accessories must be purchased separately (please contact the authorized Fotile branch)

| Housing Assembly Accessories (optional) | |
|---|---|
|  | 1 |
|  | 1 |
|  | 1 |
|  | 1 |
|  | 4 |
|  | 3 |
|  | 3 |
|  | 3 |
|  | 3 |
| Decorative Plate Assembly Accessories (with upper cabinet) | |
|  | 1 |
|  | 4 |

6.4 Installation Tools:



6.5 Installation Procedure:

In order to secure the safe use of the range hood and maximize its ability to ventilate cooking fumes, the installation height is suggested as follows: The distance from the countertop of the gas stove to the top board of the range hood shall not be less than 29 9/16"(750mm) and shall not be more than 32 1/2"(825mm). This installation height is only applicable to electric ranges. If the range hood is installed above a gas range, the minimum distance between the supporting surface of the cooking appliance on the range and the lowest part of the range hood should be at least 24"(610mm)(in USA)/25 5/8"(650mm)(in Canada). If the installation instructions for the gas range specify a larger installation distance, this should be considered. The installation height of the range hood is the recommended value, and the cupboard and the range hood shown in the figure is for reference

only. When the installation height of this product (i.e. the distance between the supporting surface of the cooking appliance on the range and the lowest part of the range hood) is lower than 24"(610mm)(in USA)/25 5/8"(650mm) (in Canada), all parts below 24"(610mm)(in USA)/25 5/8"(650mm)(in Canada) are non-flammable parts of the range hood or parts working under safe and ultra-low voltage, and the deformation of these parts will not affect the protection against the touch of live parts. Where there are relevant laws stipulating the mounting height of range hood in the state or region, the laws shall prevail (Included but not limited to architecture and firefighting regulations and standards). However, the effect of cooking fumes ventilation might be affected.

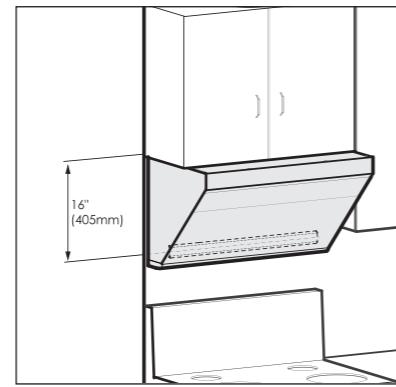
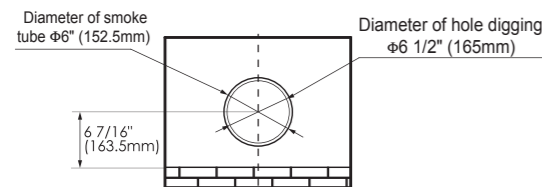
The range hood can be installed in three ways, either with or without the upper cabinet.

Caution:

1. One of the wood screws(#10×2 9/16"(ST5×65mm)) for duct bracket must be fastened to the wooden beam.
2. If it is necessary to drill the duct outlet at the back wall, the distance from the top plane of the range hood to the center of the hole should be at least 8" (203mm).

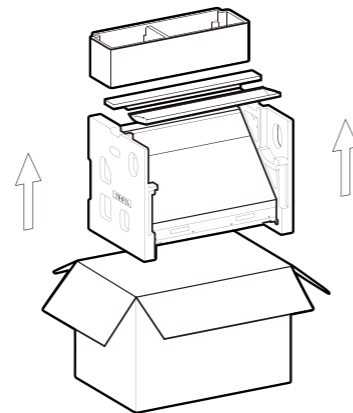
Warning: Excessively low installation height can cause overheating of the glass panel, increasing the possibility of breaking.

Installation of the Fotile Range Hood with an Upper Cabinet:

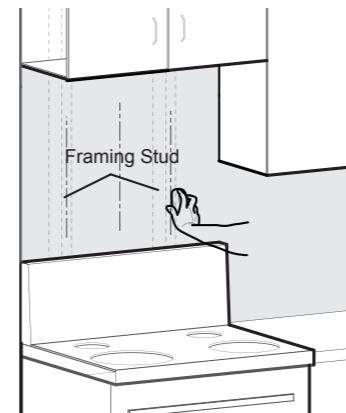


Warning: Do wear qualified protective gloves.

1. Unpack the appliance and check the List of Accessories.

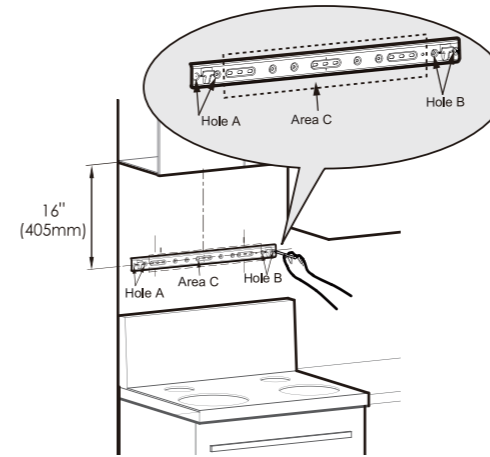


2. Locate the wooden beam and mark the location with a pencil.



3. Locate the duct bracket. Determine the central point and mark the centerline on the wall where the hood will be installed. Also, mark the point where the central line and the lowest point on the bottom board of the top cabinet meet. This is the location, in which to secure the bracket. Mark screw hole locations on

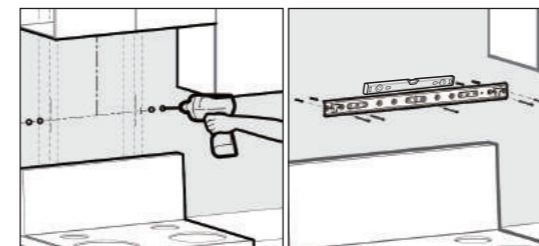
the wall. The distance between the lowest point on bottom board of the top cabinet and the center of the bracket should be 16" (405mm).



Caution: One of the wood screws(#10×2 9/16"(ST5×65mm)) for main engine must be fastened to the beam. Screws must be fixed at Hole A and B in the drawing; also wood screws(#10×2 9/16"(ST5×65mm)) must be fixed at bracket bores with corresponding wooden stakes in Area C.

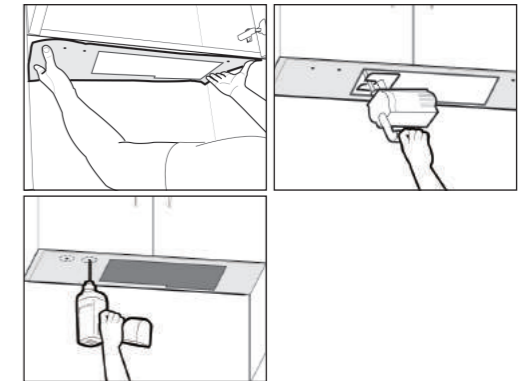
4. Fixing hooks:

- 1) Punch marks are on tiles (marble): Punch holes (φ3/8"(φ8mm)) with an electric drill at the marks, and embed expansion tube for tiles(φ1/4"×1 5/16"(φ5.3×32mm)); fix hook with hook screws(#8×1 7/16"(ST4.2×36mm)), and keep the hook level with a level ruler.
- 2) Punch marks are on plasterboards: Screw the expansion tube for plasterboards(φ3/16"×1 5/8"(φ4×40mm)) into walls with screwdrivers at the marks; fix hooks with hook screws(#8×1 7/16"(ST4.2×36mm)), and keep the hook horizontal with a level ruler.



5. Place the hole-drilling template with the side of the hole-drilling dimension drawing facing

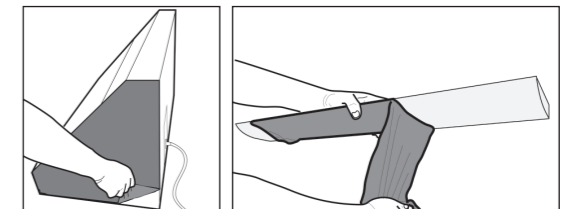
down on the bottom of the upper cabinet, and then drill the holes as indicated on the hole-drilling template.



Caution: Wear safety goggles when drilling.

In case of batten at the wall facing the bottom plate, the rear wall side of the paper template shall be cut as per the thickness of the batten. If it is necessary to fix the hook on the tile, the "Rear Wall" side of the hole-drilling template should be attached to the bottom of the upper cabinet, using the tile surface as a reference.

6. Remove the protective film of the stainless steel surface and Grease Cup at both sides of the range hood.



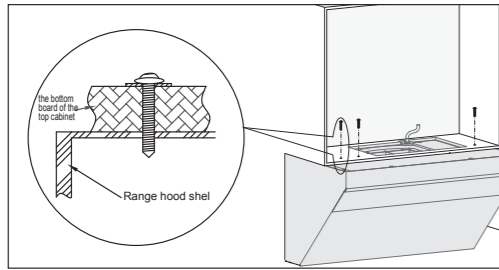
7. Lift and position the hood onto the brackets at the bottom of the backside while keeping an angle between the wall and the hood, and then push the hood against the wall tightly.



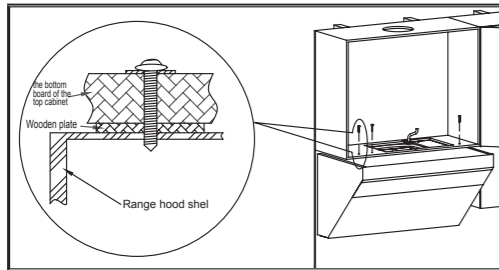
Caution: Two installers are required to ensure safe installation.

8. Use three sets of screws (#10×2 13/16"(M5×70mm)) for upper cabinet boards and supporting gaskets (φ1 5/16"(φ32mm))

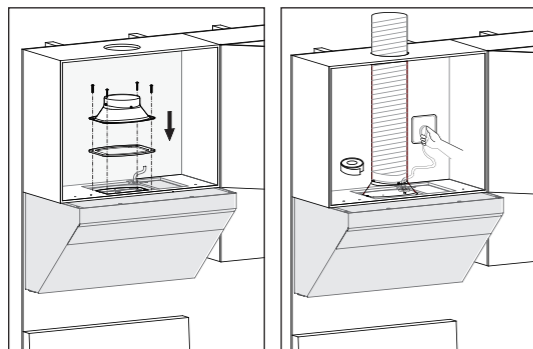
to fix the main body, and secure at least two screws before releasing.



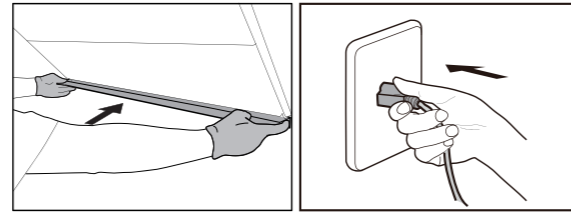
If there is a big gap between the bottom board of the top cabinet and the top of the range hood, please add wood pads based on the gap size near the three #10×2 13/16"(M5×70mm) screws to avoid range hood shell deformation caused by the tightening of screws, which will affect the use of the range hood.



9. Place the seal (notch downward) at the air outlet of the machine and fix the outlet housing with 4 outlet-housing bolts of #8×3/4"(M4×18mm). Then, secure the duct to the duct cover and seal the connection with aluminum tape.



10. Make sure the hood is leveled. Install the Grease Cup, and plug in the appliance for a test run.

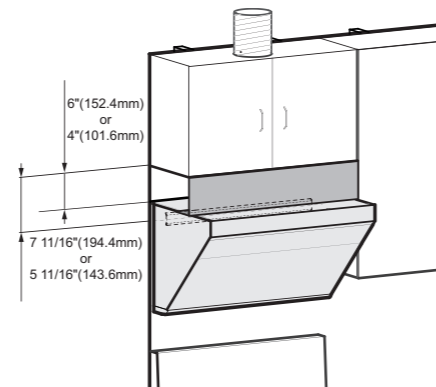
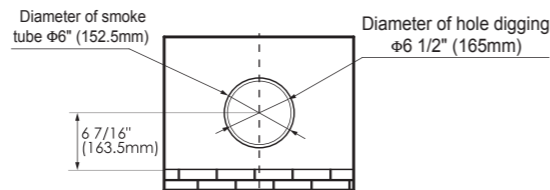


Warning: Please wear the qualified protective gloves in operation.

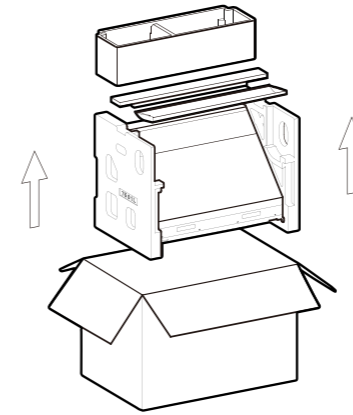
Caution: Please run the machine and test if the smoke pipe leaks air after it is sealed with aluminum foil tape. The smoke pipe should be able to be straightened as much as possible.

Installation Instructions for the Decorative Plate with Upper Cabinet :

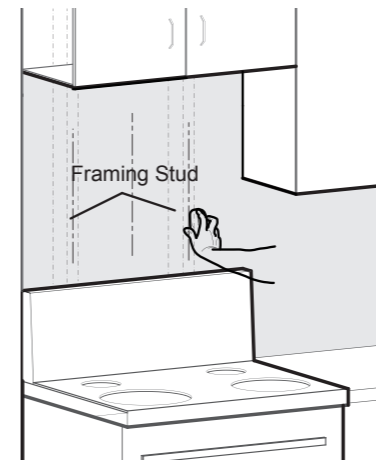
Caution: Please confirm the height of the top cabinet. If the upper cabinet is over 32 1/2" es (825mm) high, 6"(152.4mm) or 4"(101.6mm) decorative plate is preferred.



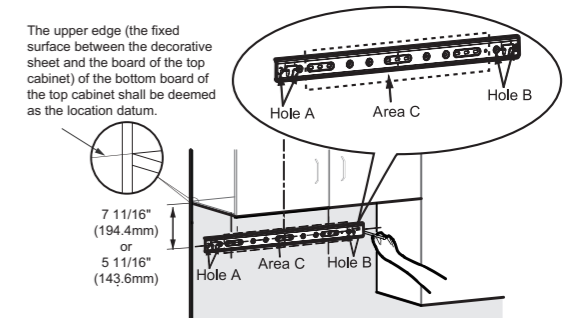
1. Unpack the appliance and check the List of Accessories.



2. Locate the wooden beam and mark the location with a pencil.



3. Locate the duct bracket. Determine the central point and mark the centerline on the wall where the hood will be installed. Also, mark the point where the central line and the top cabinet meet. This is the location, in which to secure the bracket. Mark screw hole locations on the wall. The upper edge (the fixed surface between the decorative sheet and the board of the top cabinet) of the bottom board of the top cabinet shall be deemed as the location datum. And the distance between the upper edge and the center of the bracket shall be 7 11/16"(194.4mm) for 6"(152.4mm) decorative sheet and 5 11/16"(143.6mm) for 4"(101.6mm) decorative sheet.

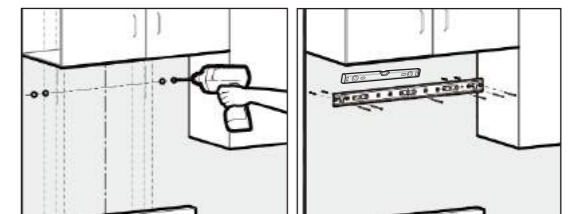


Caution: One of the wood screws(#10×2 9/16"(ST5×65mm)) for main engine must be fastened to the beam. Screws must be fixed at Hole A and B in the drawing; also wood screws(#10×2 9/16"(ST5×65mm)) must be fixed at bracket bores with corresponding wooden stakes in Area C.

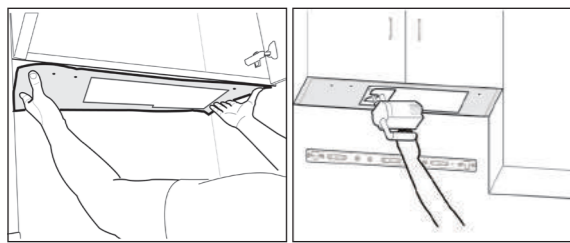
4. Fixing hooks:

1) Punch marks are on tiles (marble): Punch holes (φ3/8"(φ8mm)) with an electric drill at the marks, and embed expansion tube for tiles(φ1/4"×1 5/16"(φ5.3×32mm)); fix hook with hook screws(#8×1 7/16"(ST4.2×36mm)), and keep the hook level with a level ruler.

2) Punch marks are on plasterboards: Screw the expansion tube for plasterboards(φ3/16"×1 5/8"(φ4×40mm)) into walls with screwdrivers at the marks; fix hooks with hook screws(#8×1 7/16"(ST4.2×36mm)), and keep the hook horizontal with a level ruler.

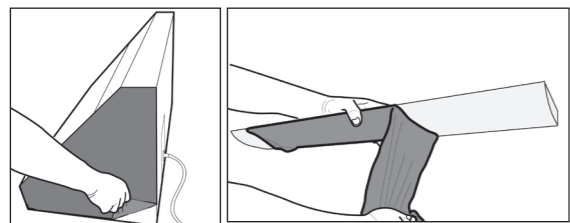


5. Place the hole-drilling template with the side of the hole-drilling dimension drawing facing down on the bottom of the upper cabinet, and then drill the holes as indicated on the hole-drilling template.

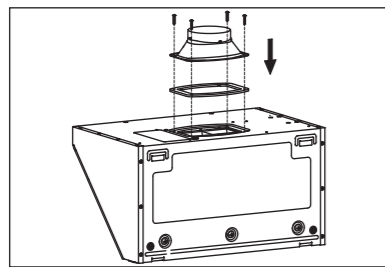


Caution: Wear safety goggles when drilling. In case of batten at the wall facing the bottom plate, the rear wall side of the paper template shall be cut as per the thickness of the batten. If it is necessary to fix the hook on the tile, the "Rear Wall" side of the hole-drilling template should be attached to the bottom of the upper cabinet, using the tile surface as a reference.

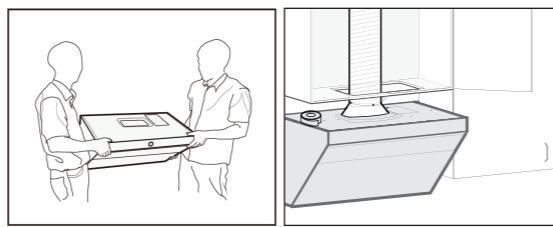
6. Remove the protective film of the stainless steel surface and Grease Cup at both sides of the range hood.



7. Place the seal (notch downward) at the air outlet of the machine and fix the outlet housing with 4 outlet-housing bolts of #8×3/4"(M4×18mm).

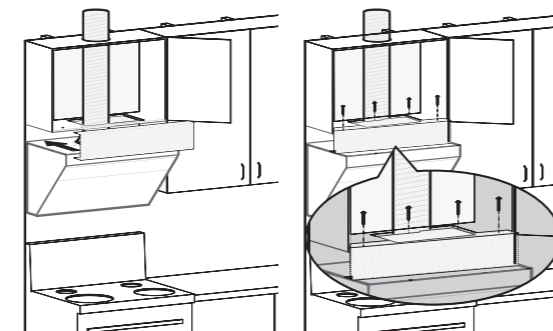


8. Lift and position the hood onto the brackets at the top of the backside while keeping an angle between the wall and the hood, and then push the hood against the wall tightly. Secure the duct to the duct cover and seal the connection with aluminum tape.

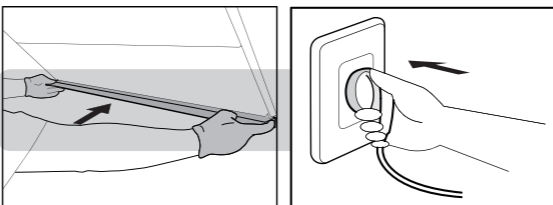


Caution: Two installers are required to ensure safe installation.

9. Install the decorative plate. Fix the decorative panel in place with 4 #6 × 1 7/16" (ST3.5×35mm) wood screws and fix the decorative panel on the upper cabinet plate (the wood screws are provided in the accessory bag in the packing box of the decorative panel).



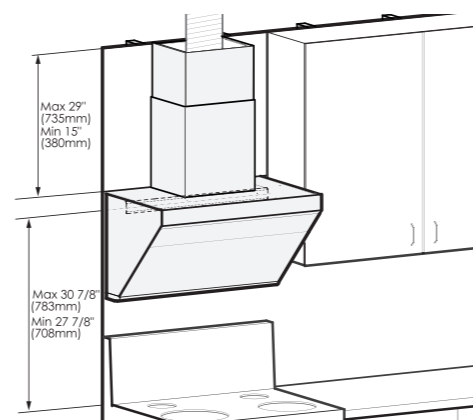
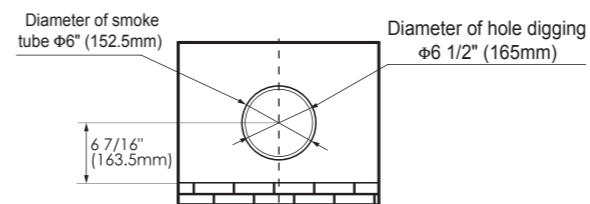
10. Make sure the hood is leveled. Install the Grease Cup, and plug the appliance for a test run.



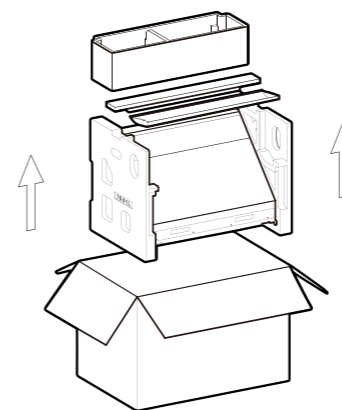
Warning: Please wear the qualified protective gloves in operation.

Caution: Please run the machine and test if the smoke pipe leaks air after it is sealed with aluminum foil tape. The smoke pipe should be able to be straightened as much as possible.

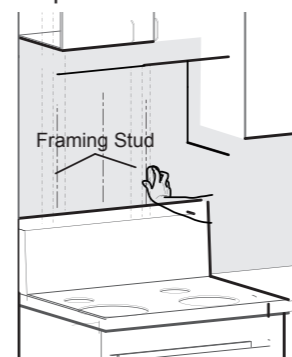
Installation Instructions for the Decorative Cover Without Upper Cabinet



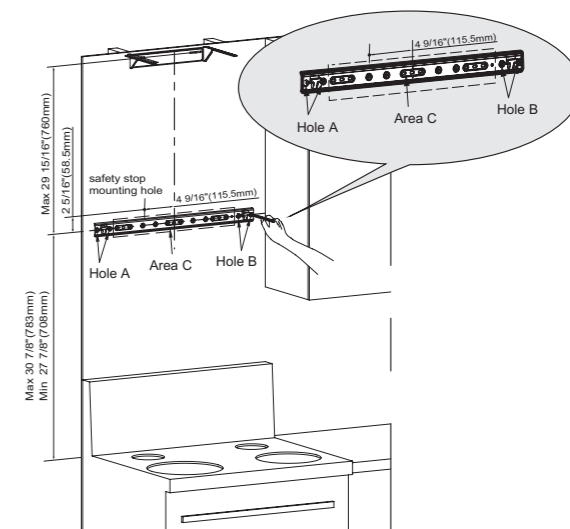
1. Unpack the appliance and check the List of Accessories.



2. Locate the wooden beam and mark the location with a pencil.



3. Locate the duct bracket, safety buffer baffle and decorative cover bracket:



Caution: one of the wood screws(#10×2 9/16"(ST5×65mm)) for main engine must be fastened to the beam.Screws must be fixed at hole A and B in the drawing; also wood screws(#10×2 9/16"(ST5×65mm)) must be fixed at bracket bores with corresponding wooden stakes in area C.

Firstly determine the installation central point of the range hood according to the central point of the cooker, determine the bracket installation location based on cooker table and mark the place for drilling. The cooker table is about 27 7/8" (708 mm) to 30 7/8" (783 mm) away from the central point of bracket;

The location to install the safety buffer baffle should be 4 9/16" (115.5 mm) to the left of the duct bracket and 2 5/16" (58.5 mm) straight up.

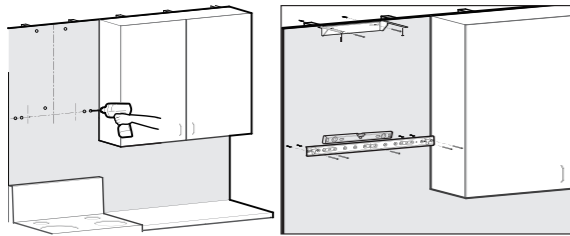
The location to install the decorative cover bracket should generally be 29 15/16 " (760 mm) above the central point of the duct bracket. If the distance between the ceiling and duct bracket equals to or is less than the value, secure the decorative cover bracket on the wall right under the ceiling. If the distance is more than the value, taller decorative covers (27 9/16" (700 mm) and 35 7/16" (900 mm) in height respectively) need to be bought separately.

Embed the expansion tube in the punch marks: 1) Punch marks are on tiles (marble): Punch

holes ($\phi 3/8"$ ($\phi 8\text{mm}$)) with an electric drill at the marks, and embed expansion tube for tiles($\phi 1/4" \times 1 5/16"$ ($\phi 5.3 \times 32\text{mm}$)).

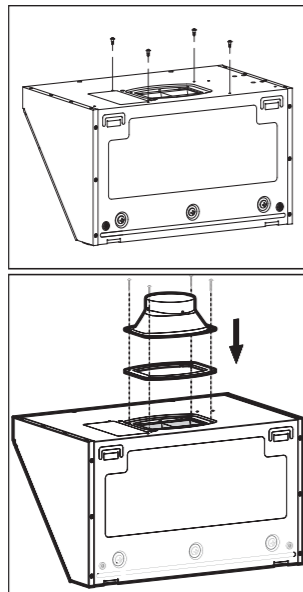
2) Punch marks are on plasterboards: Screw the expansion tube for plasterboards($\phi 3/16" \times 1 5/8"$ ($\phi 4 \times 40\text{mm}$)) into walls with screwdrivers at the marks.

4. Secure the duct bracket and decorative cover bracket to the wall with corresponding screws and tighten the screws. Make sure the bracket is leveled.

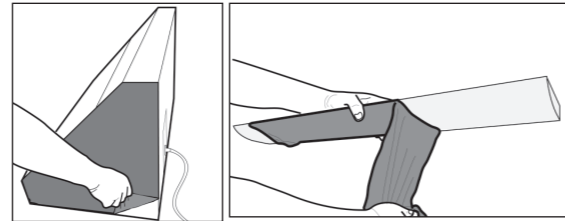


Caution: One of the wood screws(#10×2 9/16"(ST5×65mm)) for duct bracket must be fastened to the wooden beam.

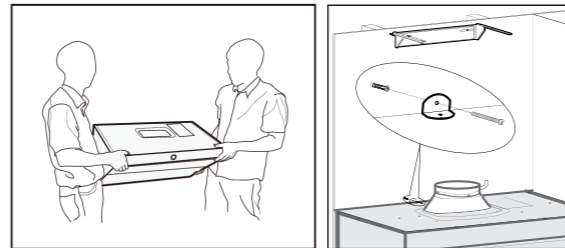
5. Place the seal (notch downward) at the air outlet of the machine and fix the outlet housing with 4 outlet-housing bolts of #8×3/4"(M4×18mm). Fix four outer cover bolts of #8×7/16" (M4×10mm) at the corresponding positions (The cover screws is provided in the accessory bag in the packing box of the decorative cover assembly.).



6. Remove the protective film of the stainless steel surface and Grease Cup at both sides of the range hood.



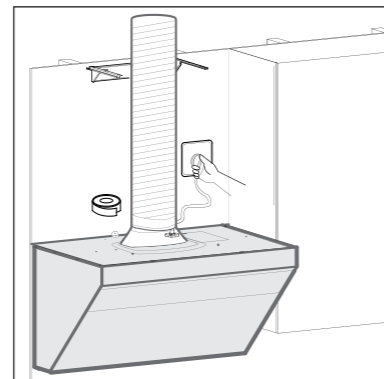
7. Lift and position the hood onto the mounting screws. Make sure the hood is stable and leveled by using a spirit level. Install the safety buffer baffle above the hood(The safety block is provided in the accessory bag in the packing box of the decorative cover assembly.).



Caution: Two installers are required to ensure safe installation. Please install the safety stop as required. The main function of the safety stop is to prevent the range hood from being lifted up accidentally, which will cause it to unhook and potentially fall.

8. Secure the duct to the duct cover and seal the connection with aluminum tape.

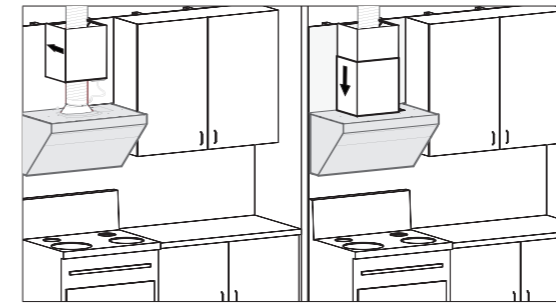
Make sure the hood is leveled. Install the Grease Cup, and plug the appliance for a test run.



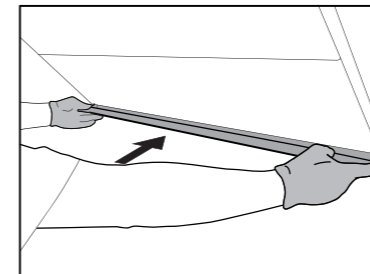
Caution: Please run the machine and test if

the smoke pipe leaks air after it is sealed with aluminum foil tape. The smoke pipe should be able to be straightened as much as possible.

9. First, tear off the protective film on the decorative cover and fan cover, and put the decorative cover into the fan cover. Then take up the decorative cover and fan cover, hang the decorative cover on the decorative cover hook, lower the fan cover slowly, and push the decorative cover and fan cover inward until the fan cover is fastened to the corresponding cover screws.



10. Install the Grease Cup.



Warning: Please wear the qualified protective gloves in operation.

6.6 Test Run After Installation:

1. Lightly press the POWER button. Next, lightly press the LIGHTING button. At this time, the smoke baffle plate and lights should work normally.

2. Lightly press the fan buttons to check the motor. If any of the following malfunctions occurs, unplug the hood immediately and re-check the installation process. (If the malfunction continues, contact our authorized service center as soon as possible.)

- (1) The hood vibrates violently.
 - (2) The impeller does not work.
 - (3) The impeller grates while rotating.
 - (4) The motor makes strange sounds.
3. Lightly press the POWER button again to turn off the fan and close the smoke baffle plate.

FOTILE 方太

吸油烟机

使用安装说明书 | JQG7501

请在开始安装和使用前仔细阅读此产品说明书。
请保留此产品说明书，以供今后使用或后续用户使用。

方太美国分公司

* 地址: 6 Campus Dr, Suite 210, Parsippany, NJ 07054

* 电话: 888-315-0366

* 官网: www.fotileglobal.com/us

* 服务邮箱: serviceusa@fotile.com



FOTILE YouTube



美国微信客服

方太加拿大旗舰店

* 地址: 8365 Woodbine Ave, Markham, L3R2P4

* 电话: 844-315-0315

* 官网: www.fotileglobal.com/ca

* 服务邮箱: info@fotileca.com



FOTILE YouTube



加拿大微信客服

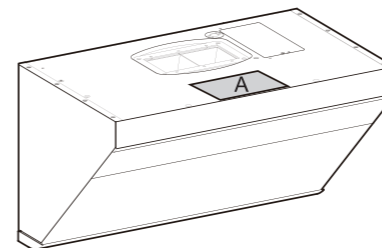
感谢您!

尊敬的用户, 您好! 感谢您选购方太公司为您精心制造的方太系列产品。使用前请通读本《使用安装说明书》(以下简称说明书), 此说明书将有利于您熟悉油烟机安全信息、操作和保养维修等, 并让您享受到全新的下厨乐趣。

请您在使用前务必认真阅读说明书, 并遵从说明书要求进行使用。本说明书的操作说明对于维持产品的良好工作状态十分重要, 若因使用不当造成产品故障, 您将丧失免费保修的权利, 任何直接或间接的免费保修申请将不被本公司各地授权的服务中心所接受。同时我们建议您在质量保证期内及保证期后, 如有需要维修时请与方太公司当地授权的服务中心联系, 这对您和我们都是非常重要的。

我们的授权的服务中心将为您提供方太公司专业的零部件及技术支持, 使您的产品得到优质快捷的维修保障, 同时让您得到最轻松细心的服务。

如果您需要服务, 您将需要提供产品铭牌上的产品型号和序列号。铭牌位置请参考以下图示 A 说明。



目录

| | |
|---------------|----|
| 安全信息..... | 2 |
| 操作..... | 4 |
| 清洁保养..... | 5 |
| 常见问题解答..... | 7 |
| 售后服务..... | 7 |
| 安装..... | 7 |
| 一、安装须知..... | 7 |
| 二、产品尺寸..... | 8 |
| 三、零配件一览表..... | 9 |
| 四、安装工具..... | 10 |
| 五、安装步骤..... | 10 |
| 六、安装后调试..... | 17 |

产品特征和参数会在无通知情况下随时更改, 并且可能与此说明书略有不同。请访问我们的官网 www.fotileglobal.com, 获取最新信息。

为确保方太产品的安全和高效使用, 请注意产品说明书中以下突出显示信息:

重要提示——强调非常重要的信息。

注意——表示如不遵守指导说明则可能出现轻微人身伤害或产品损坏。

警告——标明如不遵守预防措施则可能导致严重人身伤害或死亡等危险。

安全信息

为避免任何对油烟机的意外风险和损害，请在开始安装和使用前仔细阅读此产品说明书。只有这样您才能安全正确地操作此产品，降低火灾、电击或者人身伤害等风险。请保留此产品说明书，以供今后使用或后续用户使用。

重要提示：

- 本产品仅用于家庭室内使用，不可用于室外。仅按照制造商的方式使用本产品，若您在室外或特殊场合使用本产品，方太将不承担任何责任。如果您有任何问题，请联系方太授权的服务中心。
- 使用此新产品之前请开封检查此产品是否受损，如果发现此产品有明显的损坏，请勿安装使用，请您立即联系方太授权的服务中心。
- 请保持此油烟机远离石膏板粉末、建筑尘埃等物质。
- 请仅以本说明书指定的方式使用。请不要在无人看管情况下运行此产品。如有疑问，请联系方太授权的服务中心。
- 作为使用者，您对家中的油烟机负有清洁保养和正确使用责任。
- 根据实际条件清理金属油网。
- 油烟机电机有热过载功能，此功能在电机过热时会自动关闭电机，当电机冷却下来后会重新启动，如果电机不断关闭、重启，请联系方太授权的服务中心。
- 油烟机若长期不用，请拨下电源插头。
- 请确保此产品正确的安装和维修。此产品必须符合所有适用的规范和标准，包括防火建筑的规范和标准，由合格技师进行正确安装和接地。安装人员负责确保此产品在其安装位置正常工作。
- 当烟机处于排气模式时，请确保烟机安装止逆阀。
- 仅用于一般排气使用。请不要使用此油烟机排放有害或爆炸性材料和气体。
- 产品自身不可燃。
- 为降低火灾危险，所有排烟管、烟道和设备应是不可燃的，请仅使用金属管道。绝不用可燃塑料或纸张覆盖油烟机。
- 保修服务须由方太公司认可的服务机构或人员执行。如私自拆机维修，产品将不享受保修。

- 请阅读油烟机上的规格标签，以便了解更多信息和要求。
- 如用户房屋密封，安装有大功率烟机，建议安装补充空气装置。方太油烟机的配置，建议密封性高的新房用户安装补充空气装置。如所属州或地区有相关法律规定要求，建议遵守相关法律规定要求安装相应补充空气装置。
- 本产品仅限于美国和加拿大使用。

注意：

- 若当地适用的法规包含更为严格的安装和认证要求，上述要求优先于此文档中相应的要求，并且安装人员同意遵守这些要求。
- 油烟机使用环境的温度不能超过 104 °F (40°C)。
- 请不要在此产品上放置任何物品，产品上放置的东西可能跌落或倾倒。例如把调料瓶放置在油烟机顶部，倾倒后可能造成液体流入产品内部，导致带电部件损坏，造成不必要风险。若因此造成的产品损坏，本公司不承担免费保修责任。
- 请及时清理油杯中的废油，防止溢出。油杯中所收集的废油请勿食用！请不要在油杯中放置易燃物，如保鲜膜、厨房纸等。
- 当在墙上或天花板上开凿或钻孔时，请注意不要损坏电线、水管、燃气管道以及其他隐藏的设备。
- 请遵照加热设备厂商的指导方针和安全标准，如美国消防协会，美国采暖、制冷和空调工程师协会和地方法规指定当局发布的指导方针和安全标准。同时要遵照消防等管理部门颁布的安全标准。当燃气灶在空烧时，会产生大量热量，安装在其上方的油烟机可能会受损或着火，请仅在在有锅具时操作燃气灶。
- 为避免任何可能对产品的损害，请确保实际电压和频率与本说明书中阐明的一致。
- 请确保使用我司提供的标准配件，以防油烟机意外跌落；墙上开的洞应精准符合膨胀管的尺寸，否则，油烟机可能松动跌落。
- 本公司产品上使用了钢化玻璃，玻璃的钢化机理决定这种玻璃存在极小概率的自爆。一旦发生非使用不当的自爆，我公司承诺免费更换该

- 配件。钢化玻璃在以下情况，发生破裂的几率可能会大大提高，请避免发生：例如用炊具或其他硬物敲击玻璃，特别是敲击玻璃四个角部；打开油烟机周围橱柜门时撞击到玻璃；玻璃处于过冷和过热、冷热交替严重的环境等情况。
- 擅自改装此产品会产生风险。

警告：

- 触电危险
有缺陷的产品可能引起电击，绝不启动有缺陷的产品。如发现问题请将此产品从电源上拔下或切断总电源，并请联系方太授权的服务中心。
 - 此产品应使用专用电源插座，并且专用电源插座应有可靠接地，因为电源线中途连接、使用延长线以及多口配线器时易发生触电、插头插座发热以及火灾。请确保由专业电工在严格按照所在国家和地方的电力法规进行操作，接线以前，请先关闭电源并采取合理措施防止电源开关自动闭合。
 - 禁止使用 125V 以上的交流电，以免引起危险。
 - 禁止将此产品安装在浴室或湿度高的场所，这样容易造成触电。
 - 如果电源线损坏，请联系授权服务提供商或合格技术人员进行更换。
 - 请不要对电源线进行改制、拉伸结扣以及施加重物、挤压等，否则易导致电源线破损而发生触电和火灾。
 - 严禁电机、开关、接插件等电器部件沾水，禁止用水冲洗油烟机。油烟机被水淋湿后，请不要使用，如果使用会导致漏电、触电。
 - 禁止私自改动产品内部布线，否则有可能发生异常动作导致人体受伤。不当修理可能发生触电、火灾等危险。
 - 在清洗产品、提供安装或维修服务之前，必须切断电源，以免触电。
 - 请不要使用任何可能导致电击的高压清洁剂或蒸汽清洗器。
 - 请不要用潮湿的手触摸电源插头电器部件以及操作电源开关，否则易发生触电。
- 接地说明
 - 此产品必须接地。如果发生短路，接地可以降低电击的危险。此产品配有接地插头的电源线。插头必须插在合理安装并接地的电源插座上。
 - 不合理接地会导致电击危险。

- 如并未完全理解接地说明或者对产品是否已合理接地存在疑虑，请咨询合格电工。
- 请不要使用延长线。如果电源线过短，请合格电工在产品附近安装电源插座。
- 火灾危险
 - 为降低火灾危险并合理排气，请总是外排。请不要将废气排到墙体、天花板、阁楼、窄小空间或车库中。
 - 如果不按本说明书规定的方法清洗，油烟机有起火的危险。
 - 热油和油脂会快速点燃，绝不让热油或油脂处于无人看管状态。
 - 油网中油脂沉淀物可能着火，请定期清洗油网。
 - 请勿在无油网的情况下操作此产品。
 - 油网中的油脂沉淀物可能着火，绝不在此产品附近使用明火。请不要在使用固体燃料（比如木头或煤）的加热设备附近安装此产品。禁止有飘飞的火花。
 - 请避免在烟机下方使用会产生火焰的食品。
 - 为降低灶台油火风险：
 1. 绝不使灶台表面的器具在无人看管下高档位运行。溢锅造成冒烟和可能起火的油脂外溢，请在低档或中档设置下缓慢加热油脂。
 2. 烹饪时请总是开启烟机。
 3. 请清洁油烟机，叶轮、滤网上或在排烟管道里不应积油。
 4. 请使用合适尺寸的锅具。请总是使用与灶台表面的器具尺寸吻合的炊具。
 - 为降低灶烤一体机上方油火对人身伤害的危险，请遵守以下说明：
 1. 用合身的锅盖、烤板或金属托盘扑灭火焰，然后关闭灶具。注意谨防烫伤。如果火焰未立即熄灭，请疏散并报火警。
 2. 油锅着火时，请立即关闭油烟机（油烟机的运行会助燃火势）。立即采用有效的灭火措施，如用金属封盖住明火、关闭燃气总阀、使易燃物远离明火等。
 3. 绝不拿着着火的锅具，您可能被烫伤。
 4. 请勿用水，包括湿抹布或毛巾灭火，这样会导致猛烈的蒸汽喷发。
 - 仅在以下条件使用灭火器：
 1. 当您上过基础的灭火器课程，并且已经知道如何操作；

2. 当火较小并且控制在火源处；
3. 当您已打火警电话；
4. 当您背向出口时可救火。

● 人身伤害危险

- 此产品不适用于（包括儿童在内）身体、感知或精神能力减弱或缺乏经验或知识的人群，除非在对其安全负责的人监督或指导如何安全使用此产品的情况下。孩童应受监管，确保其不玩弄此产品。
- 油烟机可能有非常锋利的边，在进行安装、清洁或修理时，谨防被油烟机内金属板快口等划伤和擦伤。应佩戴合格的防护手套。
- 操作中可触及部分会变得很烫。绝不触摸变烫的部分。保持儿童在安全距离以外。
- 请勿触摸已经开启或刚关闭不久的灯，以免烫伤。
- 油烟机叶轮运转时，禁止将手指或其他物品放入其中，以免造成伤害。
- 此产品不应和外部钟表计时器或遥控器配合使用。
- 不正确的维修很危险。仅合格的售后服务技师才可进行维修。
- 出现异常现象时，请关闭产品电源，拨下电源插头或者切断总电源，马上与方太授权的服务中心联系。异常状态下连续运转易发生触电、火灾等危险。
- 本产品可能会使您暴露于化学物质，加利福尼亚州已知该化学物质可致癌和出生缺陷或其他生殖危害。如需了解更多信息，请访问：www.P65Warnings.ca.gov

● 窒息危险：

- 包装材料对儿童有危险。绝不允许儿童玩弄包装材料，这可能会产生窒息事故，所以请让包装材料远离儿童，包装材料不是玩具。

● 死亡危险：

- 烟道倒灌有中毒危险。当此产品在排气模式下运行，同时依赖于房内空气的加热设备也在运行时，请总是确保屋内有充足空气保证充足燃烧和排气。请通过烟道（烟囱）排放废气，防止废气倒灌。因使用不当或误操作造成的伤害厂商不负责任。

操作

警告

1. 防过猛过重操作按键；
2. 防灶具空烧；
3. 防通电拆卸和违嘱拆卸；
4. 防油杯油满外溢；
5. 防非专业人员拆检；
6. 禁止炉火直接烘烤油烟机。

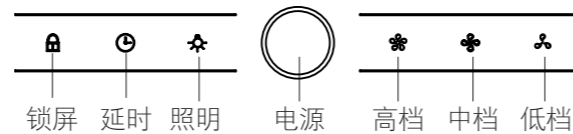
产品信息

| | | |
|---|---|----------------------|
| 型号 | JQG7501 | |
| 产品尺寸 L*D*H | 29 7/8 × 18 1/4 × 17 7/16" (758 × 462 × 442 mm) | |
| 净重 | 63.9 lbs (29Kg) | |
| 电压 / 频率 | 120V/60Hz | |
| 整机额定输入功率 | 256 W (包含灯功率 3W × 2) | |
| 风量 (CFM) (HVI) | 高档 | 530 |
| | 中档 | 410 |
| | 低档 | 230 |
| 噪音 | 高档 | 54.3dB(A) (6Sones) |
| | 中档 | 49.2dB(A) (3.9Sones) |
| | 低档 | 39dB(A) (1.2Sones) |
| 最大静压 | 400 Pa | |
| 注：1. 上表 dB 噪音按照 IEC60704 标准，为声压级噪音，对应声功率级噪音为：高档 68.3dB(A)、中档 63.2dB(A)、低档 53dB(A)。 2. 上表 Sones 噪音按照 HVI-915-2015 标准，在 HVI 认可美国实验室测得。 3. 噪音等参数可能存在 5% 以内的偏差。 | | |



操作

1. 操作界面说明



2. 操作过程说明

- (1) ○ 电源键：在关机时轻触一下，油烟机进入待机状态，电源键及光带全亮，其他按键指示灯半亮；在工作状态下，轻触一下，所有功能关闭，按键灯及光带熄灭，隔烟屏自动闭合，油烟机处于关机状态。除锁屏键外，

其余按键在电源键开启状态下才有效。

- (2) ✨ 高档键，轻触一下，隔烟屏自动开启，风机启动，✨ 高档指示灯全亮，油烟机在高档运行，再轻触一下高档键 ✨，电机停止运转，高档指示灯 ✨ 恢复至半亮。
- (3) ✨ 中档键，轻触一下，隔烟屏自动开启，风机启动， ✨ 中档指示灯全亮，油烟机在中档运行，再轻触一下中档键 ✨，电机停止运转，中档指示灯 ✨ 恢复至半亮。
- (4) ✨ 低档键，轻触一下，隔烟屏自动开启，风机启动， ✨ 低档指示灯全亮，油烟机在低档运行，再轻触一下低档键 ✨，电机停止运转，低档指示灯 ✨ 恢复至半亮。
- (5) ✨ 灯键：轻触一下，隔烟屏自动开启，照明灯打开， ✨ 灯指示灯全亮。再轻触一下，照明灯关闭， ✨ 灯指示灯恢复至半亮。
- (6) ⏸ 延时键：在油烟机电机工作时，轻触一下，⏸ 键指示灯全亮，油烟机进入 2 分钟延时，2 分钟到后，所有功能关闭，隔烟屏自动闭合，油烟机关机。
在延时状态时，轻触 ⏸ 键 1 次，则退出延时，⏸ 键指示灯恢复至半亮，油烟机保持当前工作状态。
在延时状态时，轻触除延时按键外的任意键 1 次，则退出延时，⏸ 键指示灯恢复至半亮，执行所轻触按键的功能。
- (7) 🔒 锁屏键：在油烟机风机不运行时，长按 🔒 键 2 秒钟，机器“滴”响一声后， 🔒 键指示灯全亮，所有按键被锁住，触控无效，再长按 🔒 键 2 秒钟，锁屏功能取消， 🔒 键指示灯恢复至半亮，按键恢复。在油烟机风机运行时，锁屏键无效，如果按下会发出报警声。

提示：待机状态下 2 分钟没有操作，油烟机会自动关机。

清洁保养

重要提示：清洁完油网后，请将油网重新安装归位。请勿在没有油网的情况下操作油烟机，可能会有安全隐患。

注意：

- 腐蚀造成损坏危险。
- 烹饪时请总是打开油烟机，以防冷凝。冷凝可

造成腐蚀损坏。

- 清洁不当会造成表面损坏，请仅沿不锈钢表面纹路进行清洁，请不要使用任何不锈钢清洁剂清洁控制装置。
- 强效或磨砂清洁剂会造成表面损坏。
- 请更换故障 LED 灯，以免其余灯过载。

警告：

- 如果不按此说明书规定的方法清洗，油烟机有起火的危险。
- 清洁时应防止电机、各控制键等电气部件进水。水气进入电路会造成损坏危险。
- 切勿使用汽油、酸性物质、苯、溶剂或任何其他化学药剂清洗油烟机。

电击危险：

- 渗透的水气可能导致电击。清洁、维修油烟机前，请拨下电源插头或者切断总电源，以免触电。
- 请不要使用任何可能造成电击的高压清洗机或蒸汽清洁装置。

火灾危险：

- 油网及油杯中油脂沉积物可能着火。
- 请不要在油杯中放置易燃物，如保鲜膜、厨房纸等。
- 不要让油过多聚集并定期清洁油杯及其他可能积聚积油的部件。

人身伤害危险：

- 在移动油烟机进行安装、清洁或者修理前，务必切断电源，以免触电。
- 油烟机可能有非常锋利的边，在进行安装、清洁或修理时，以防被油烟机内金属板快口等划伤和擦伤。应佩戴合格的防护手套。
- 当风机在使用时，禁止将手放入风机运转区域。
- 此产品在操作过程中会发热，尤其 LED 灯附近。请在清洁前等待产品冷却。请不要触摸运行中或刚结束运行的 LED 灯，可能有烫伤危险。
- 如需深度清洁油烟机，请联系方太授权的服务中心。
- 为了您更加舒适地使用此产品，请经常对油烟机表面进行清洁。

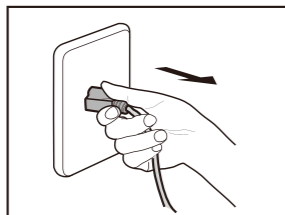
1. 如果油烟机表面看上去有污点，使用中性清洁剂清洁污点，并避免清洁剂接触各控制键。把清洁剂滴至污点之处并短暂停留（清洁剂不要在机体上停留过长，那样将造成损害），使用柔软的抹布将污点擦去，用微湿的毛巾将清洁剂除去，然后再用柔软的干毛巾将机体擦干。

2. 不要让污渍在油烟机表面停留时间过长。
3. 如不注意将含盐的溶液、消毒剂、漂白粉以及其他清洁剂沾到不锈钢面板，应立即用微湿的毛巾擦拭，然后用干布擦干。

警告：请不要使用清洁球、刷子以及粗布等粗糙物进行清洁，以防止划伤机体表面。

清洗前准备：

1. 拔掉油烟机电源插头，或关闭插座电源；

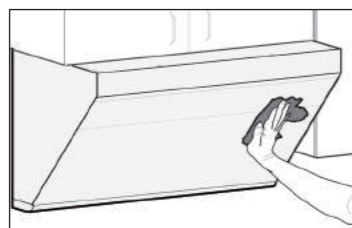


2. 把灶具上器具清理干净；
3. 请准备好中性洗涤剂和软布（软刷）；

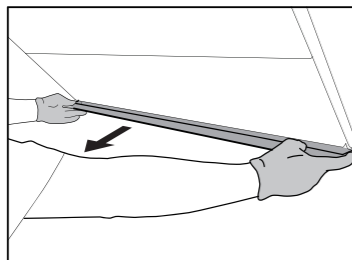


清洗清洁表面、油杯和油网(此操作可由用户自行操作)

1. 清洗油烟机表面

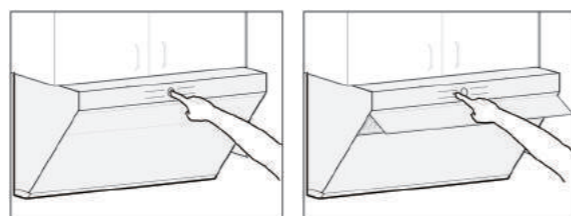


2. 水平取出油杯并清洗。

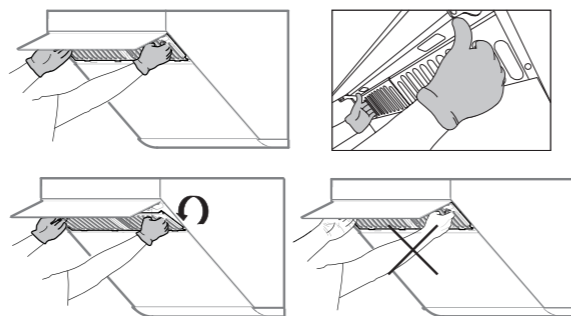


警告：为了您及家人的安全，请定期清洁油杯内积油和油杯外表面沉积物，否则会有引起火灾的危险。操作时请带防护手套操作。

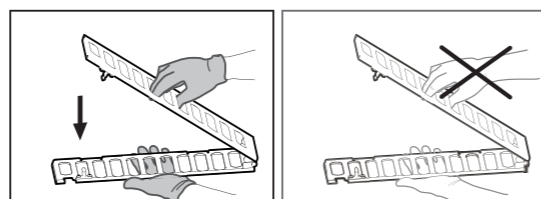
3. 轻触电源键，再轻触灯键，打开隔烟屏。



4. 双手拉住左右两侧的油网孔，向外拉即可卸下油网。



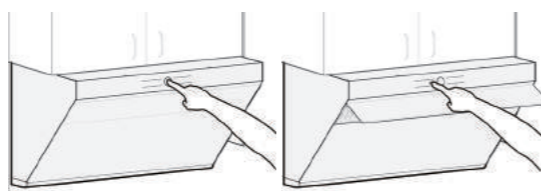
★建议：为了您与家人的健康，请定期清洗油网。油网可折叠放进洗碗机里清洗。



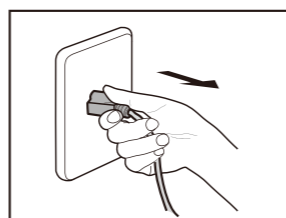
警告：请戴防护手套操作。

更换 LED 灯步骤：

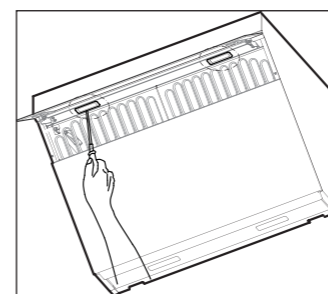
1. 轻触电源键，再轻触灯键，打开隔烟屏；



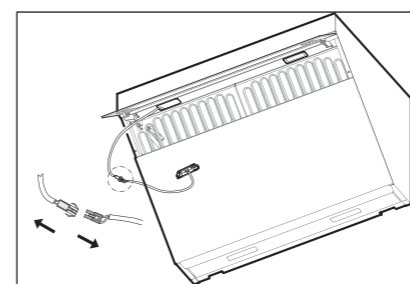
2. 拔掉油烟机电源插头，或关闭插座电源；



3. 用小型一字螺丝刀轻微插入灯边缘，下撬并取出灯组件；



4. 拆开灯连接线，更换整个 LED 灯。



所用灯为 LED 灯：灯功率为 3W，电压范围为 8.5~12V，灯尺寸为宽度 2 13/16" (70mm)/ 深度 7/8" (21mm)/ 高度 3/4" (19mm)。电击危险：在更换 LED 灯前，请先拨下电源插头或者切断油烟机插座电源，以免触电。

常见问题解答

警告：电击危险

不正确维修很危险。仅由方太授权的服务中心或有资质的电工才可维修和更换受损电源线。如果产品有缺陷，请拨下电源插头或者切断油烟机插座电源，以免触电。请联系方太授权的服务中心。在更换 LED 灯前，请先拨下电源插头或者切断油烟机插座电源，以免触电。

如果您在使用中发现异常状况，请停止使用，请拨下电源插头或者切断油烟机插座电源，检查以下内容：

| 故障现象 | 可能原因 |
|----------------|---------|
| 按开关，油烟机不工作，灯不亮 | 未接通电源 |
| 电机转动但灯不亮 | LED 灯损坏 |

当上述故障排除后，油烟机仍不能正常工作，请与方太授权的服务中心联系维修。

售后服务

警告

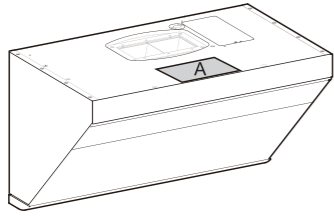
- 如油烟机在使用中发生异常状况，请停止使用，拔下电源插头或者切断油烟机插座电源，请与方太授权的服务中心联系。
- 只有经过专业培训的、并获得油烟机维修资质的维修人员，才能对油烟机进行维修。
- 其他人员不得擅自维修油烟机，以免造成严重后果，而且产品将不享受保修。
- 下列项目不属于免费保修范围，将实行收费维修：
 1. 用户搬运、安装、使用、维护、保管不当而损坏的。
 2. 超出正常使用条件，强行使用本产品造成的故障和损伤（例如电压超出 132V 或低于 104V 而损坏的）。
 3. 自行或非方太指定服务人员或服务机构安装和拆修的产品。
 4. 购买凭证和保修卡信息与产品不符的。
 5. 因不可抗力造成产品损坏的（如自然灾害、战争等）。
 6. 不根据“使用说明书”的规定使用，造成产品故障或损伤的。

安装

一、安装须知

重要提示：

- 请在安装前阅读所有安装指导，保存此说明书以备当地巡检参考和日后参阅。
- 此产品安装必须遵守国家电力法，也要遵守各个州、市政和地方的法规。
- 请为此产品配备合适的断路器，并在安装时将产品可靠接地。
- 必须根据产品铭牌上提供的电压、频率和安培给产品配备合适的电压、频率和安培额定值。
- 此安装必须由方太授权的服务中心或其认可的安装人员完成。
- 安装油烟机前请记录下产品型号和序列号。产品型号和序列号请参考以下图示 A 说明。



注意：

- 在安装以前，请仔细阅读所有的说明。特别注意以下事项：
- 1. 如果您正在对您的厨房进行装修，请勿将油烟机暴露在外。因为建筑材料、灰尘、油漆、涂料以及它们所挥发的的气体，会使油烟机表面产生腐蚀以及失去光泽。建议在厨房装修完毕后再安装油烟机。
- 2. 如果在安装油烟机前，需要移动燃气灶，则在移动燃气灶之前，请先关闭燃气总阀门。
- 3. 油烟机排出的废气不能排放到用于排出燃烧燃气或其他燃料的烟雾使用的热烟道中。
- 4. 因油烟机的尺寸较大和重量较重，建议两位安装人员安装。由于本油烟机的安装程序复杂，因此需要专业安装维修人员按照此说明书进行安装。
- 5. 产品固定后，插头应在可接触位置。
- 6. 安装时须尽量保证机身水平。
- 7. 安装完毕，请确认油烟机运转无异常现象。

警告：

- 为降低火灾、电击或人身伤害危险，请注意以下事项：
- 1. 油烟机的安装以及电路的设置必须要由有经验的专业人员进行，非专业人员请勿安装。在安装时要遵守所有相关的法规、标准，包括与火灾有关的说明。正确安装是安装人员的责任。由于安装不当导致的产品故障不包括在方太保修范围内。
- 2. 为确保安全和安装顺利，请使用随机附件进行安装。安装膨胀管时，膨胀管与墙孔的配合一定要紧密，严禁钻孔过大，以免膨胀管松动，造成意外跌落！
- 3. 油烟机应使用专用电源插座，并且专用电源插座应有可靠接地。因电源线中途连接、使用延长线以及多口配线器时易发生触电、插头插座发热以及火灾。装电线前请切断电源，请确保采取合理措施避免意外电源接通。
- 4. 安装时不能接通电，应在主电源箱中关闭电源。如果电源线损坏，必须由制造厂商或其服务代理提供的单独特配电源线或套件进行替换。

5. 用户自行安装易发生触电、脱落、起火等危险。非专业人员请勿拆卸、安装及维修油烟机。

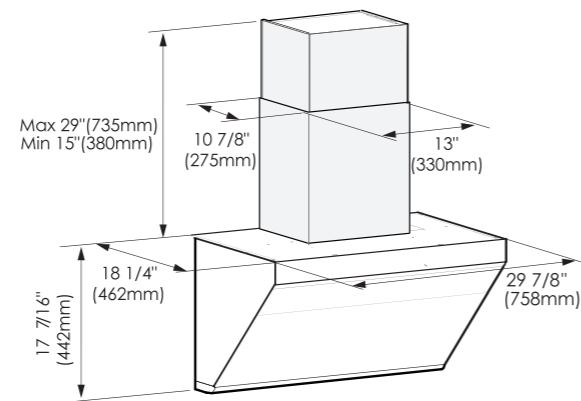
人身伤害危险：

- 在移动油烟机进行安装、清洁或者修理前，务必切断电源，以免触电。
- 油烟机可能有非常锋利的边，在进行安装、清洁或修理时，应佩戴合格的防护手套，以防被油烟机内金属板快口等划伤和擦伤。

安装前的警告：

- 为了不对油烟机造成损害，请确保不要让杂物等进入排风口。
- 直线、较短的出风管布置将使得油烟机的排烟更加顺畅。
- 尽量避免使用过长以及有较多弯道的出风管，使用这些管道将影响油烟机的排烟效果。
- 出风管与墙孔的连接处使用管道胶严格进行密封。必须确保出风管与出风罩连接牢固，并用铝箔胶带密封。
- 墙洞过小会影响排烟效果，在保证安全的前提下，建议扩孔至 6" (152.4mm) 或以上。
- 本产品上使用的都为公制尺寸螺钉，请不要随意使用不符合规格要求的螺钉。

二、产品尺寸



墙面安装

安装油烟机的墙壁要有足够的支撑强度，对于中空墙壁，中空板实心层的厚度必须大于 1 3/16" (30mm) 以上，对于混凝土墙壁可直接打安装孔。整机必须牢固安装在墙壁上。

安装烟管

- 人身伤害危险：在油烟机进行安装、清洁或者修理前，务必切断电源，以免触电。油烟机可能有非常锋利的边，在进行安装、清洁或修理时，应佩戴合格的防护手套，以防被油烟机内金属板快口等划伤和擦伤。
- 当在墙上或天花板上开凿或钻孔时，请注意不要损坏电线以及其他隐藏的产品。
- 安装管道的烟机必须总是外排。为了避免火灾的发生，请将废气排到室外。请不要将废气排到墙面或天花板内空间，或者阁楼、窄小空间或车库中。

三、零配件一览表

装箱单

| 标准配置 | |
|---|-----|
|  主机 | 1 台 |
|  出风罩 | 1 个 |
|  密封垫 | 1 个 |
|  油杯 | 1 个 |
|  使用说明书 | 1 本 |
|  开孔尺寸纸 | 1 张 |
|  保修卡 | 1 张 |
|  主机挂钩 | 1 个 |
|  挂钩螺钉 #8×1 7/16" (ST4.2×36mm) | 4 颗 |

| | |
|--|-------------------|
|  瓷砖膨胀管 φ 1/4"×1 5/16" (φ 5.3×32mm) | 4 个 |
|  灰板膨胀管 φ 3/16"×1 5/8" (φ 4×40mm) | 4 个 |
|  出风罩螺钉 #8×3/4" (M4×18mm) | 4 颗 |
|  上柜板固定螺钉 #10×2 13/16" (M5×70mm) | 4 颗 (其中 1 颗备用) |
|  上柜板固定螺钉垫圈 φ 1 5/16" (φ 32mm) | 4 个 (其中 1 个备用) |
|  木螺钉 #10×2 9/16" (ST5×65mm) | 4 颗 |

以下配件须另外单独购买（请联系方太授权网点）

| 外罩装配附件（选配） | |
|--|-----|
|  风机外罩 | 1 个 |
|  装饰罩 | 1 个 |
|  装饰罩挂钩 | 1 个 |
|  安全挡块 | 1 个 |
|  外罩螺钉 #8×7/16" (M4×10mm) | 4 颗 |
|  挂钩螺钉 #8×1 7/16" (ST4.2×36mm) | 3 颗 |
|  灰板膨胀管 φ 3/16"×1 5/8" (φ 4×40mm) | 3 个 |

| | |
|--|-----|
| 瓷砖膨胀管 $\phi 1/4" \times 1 5/16"$ ($\phi 5.3 \times 32\text{mm}$)  | 3 个 |
| 螺钉 $\#4 \times 3/4"$ (ST2.9 \times 19mm)  | 2 颗 |
| 装饰板装配附件 (选配) | |
| 6" (152.4mm) 或 4" (101.6mm) 装饰板  | 1 块 |
| 固定装饰板木螺钉 $\#6 \times 1 7/16"$ (ST3.5 \times 35mm)  | 4 颗 |

四、安装工具



五、安装步骤

为保证油烟机使用安全和最佳吸油烟效果，建议安装高度：从台面到油烟机顶部不得低于 $29 9/16"$ (750mm)，最高不要超过 $32 1/2"$ (825mm)。此安装高度只适用于电灶，如果吸油烟机安装在燃气炉灶上方，炉灶上烹调器具的支承

面与吸油烟机最低部位的最小距离应至少为 $24"$ (610mm) (美国) / $25 5/8"$ (650mm) (加拿大)。如燃气炉灶安装说明规定了较大的安装距离则对此应予考虑。吸油烟机的安装高度为推荐值，图示橱柜与吸油烟机搭配示意仅供参考，当本产品的安装高度（即炉灶上烹饪器具的支承面与吸油烟机最低部位的距离）低于 $24"$ (610mm) (美国) / $25 5/8"$ (650mm) (加拿大) 时，低于 $24"$ (610mm) (美国) / $25 5/8"$ (650mm) (加拿大) 部分的所有部件均为吸油烟机的不易燃部件或工作在安全特低电压下的部件，且这些部件变形时，不会影响对触及带电部件的防护。如所属州或地区有相关法律规定油烟机安装高度，建议遵守相关法律（包括但不限于建筑物和消防法规和标准），但产品的吸油烟效果可能会受到较大影响。

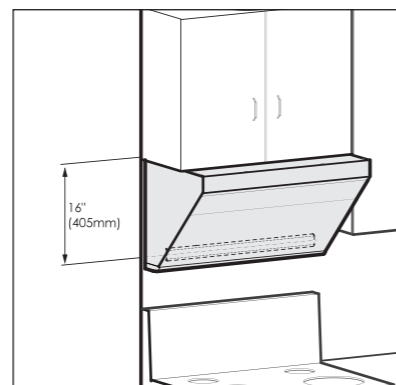
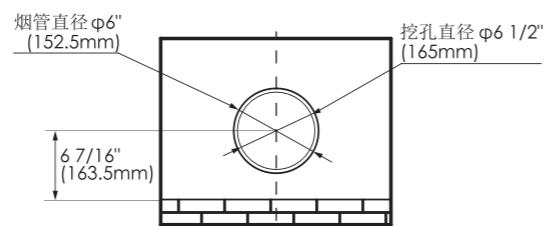
此油烟机安装分为有上柜、无上柜共三种安装方式。

注意：

1. 主机挂钩必须有一个木螺钉 ($\#10 \times 2 9/16"$ (ST5 \times 65mm)) 要固定在木柱上。
2. 如需在背面墙体开出风管出口，建议油烟机顶平面到开孔中心点距离不低于 $8"$ (203mm)。

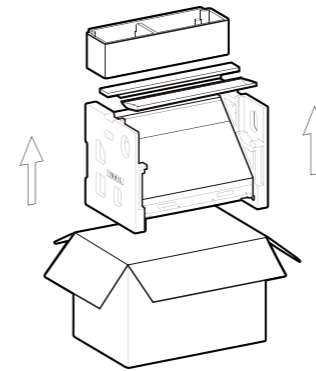
警告：安装高度过低可能导致油烟机玻璃面板过度受热，增加破碎的风险。

有上柜：

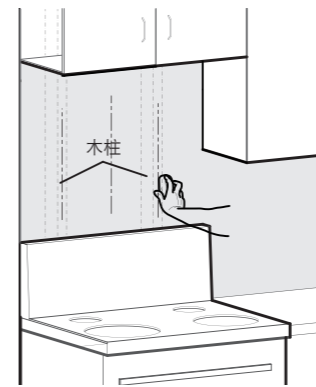


警告：请带防护手套操作。

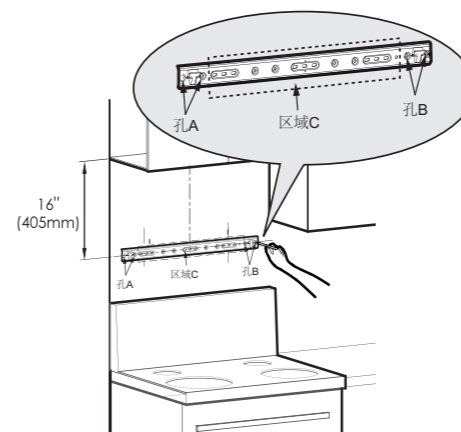
1. 打开包装箱拿出主机，清点附件清单。



2. 在安装位置找到固定挂钩的木柱并用铅笔做好标记。



3. 确认固定主机挂钩的位置：首先确认油烟机安装中心点画一条垂直的中心线，然后以上柜板底部最低点为基准确认挂钩安装位置，做好打孔标志。尺寸为：上柜板底部最低点到挂钩孔中心距 $16"$ (405mm)



注意：主机挂钩必须有一个木螺钉 ($\#10 \times 2 9/16"$ (ST5 \times 65mm)) 要固定在木柱上。

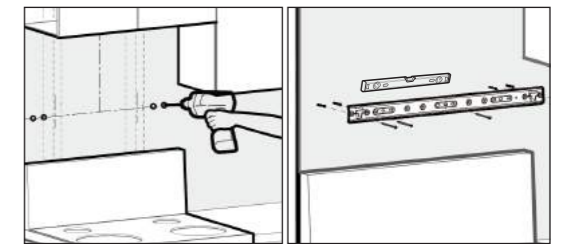
图上孔 A、孔 B 必须固定螺钉，区域 C 挂钩

孔位能对应木柱部分必须固定木螺钉 ($\#10 \times 2 9/16"$ (ST5 \times 65mm))。

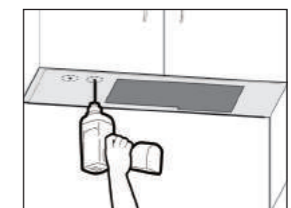
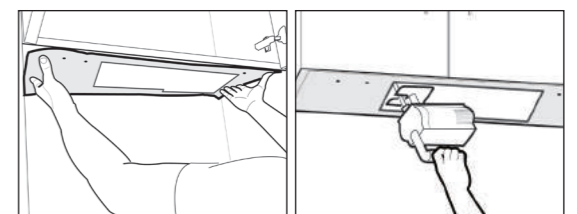
4. 固定挂钩：

1) 打孔标识处是瓷砖 (大理石)：在打孔标识处用电钻打 $\phi 3/8"$ ($\phi 8\text{mm}$) 孔，并埋设瓷砖膨胀管 ($\phi 1/4" \times 1 5/16"$ ($\phi 5.3 \times 32\text{mm}$))，用挂挂钩螺钉 ($\#8 \times 1 7/16"$ (ST4.2 \times 36mm)) 固定挂钩，并用水平尺确保挂钩水平。

2) 打孔标识处是灰板：在打孔标识处直接用螺丝刀将灰板膨胀管 ($\phi 3/16" \times 1 5/8"$ ($\phi 4 \times 40\text{mm}$)) 拧进墙面，然后用挂钩螺钉 ($\#8 \times 1 7/16"$ (ST4.2 \times 36mm)) 固定挂钩，并用水平尺确保挂钩水平。



5. 把开孔尺寸纸有开孔尺寸图的一面朝下贴在上柜板底部，然后按开孔纸上要求开孔。

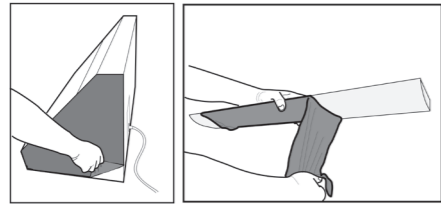


注意：开孔要带上防护眼镜。

如遇底板靠墙一侧有木条，开孔纸 Rear Wall 侧按此木条厚度裁剪。

如遇挂钩固定在瓷砖上，开孔纸 Rear Wall 一侧应以瓷砖面为基准贴在上橱柜的底部。

6. 把整机两侧不锈钢表面和油杯保护膜撕掉。

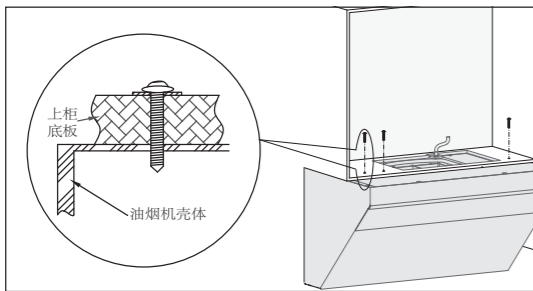


7. 抬起主机倾斜着将背底部挂钩孔挂上挂钩，再将烟机推上去靠紧墙壁。

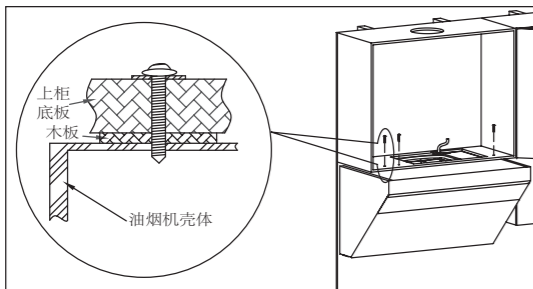


注意：为了安全你需要两个人来安装这个油烟机。

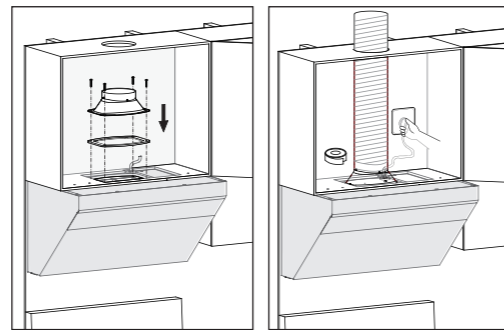
8. 用3颗 #10×2 13/16" (M5×70mm) 上柜板固定螺钉和3个 φ1 5/16" (φ32mm) 上柜板固定螺钉垫圈固定主机，至少固定两颗螺钉后才能松手。



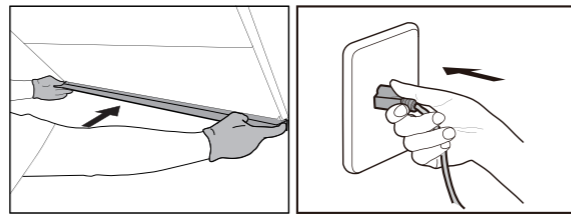
如上柜底板与油烟机壳体之间有较大间隙，安装前，请在3颗 #10×2 13/16" (M5×70mm) 螺钉附近依据间隙大小加垫木块，以免螺钉紧固时使油烟机壳体发生变形而影响使用。



9. 在主机出风口放好密封垫（缺口朝下），用4颗 #8×3/4" (M4×18mm) 出风罩螺钉固定好出风罩。再把烟管固定在出风罩上用铝箔胶带做好密封。



10. 整机必须保持水平，再把油杯安装上去并插上电源试机。

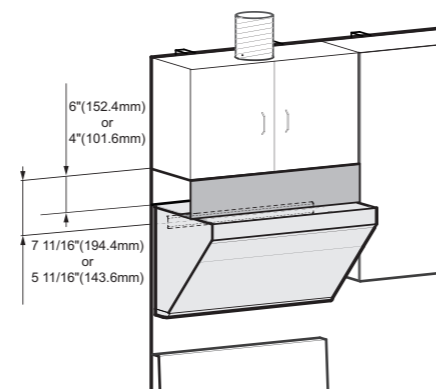
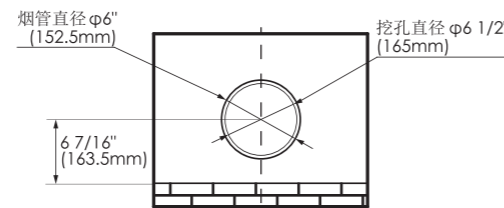


警告：请戴防护手套操作。

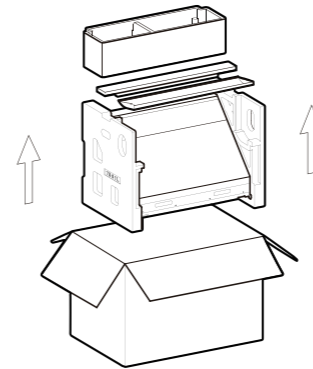
注意：铝箔胶带密封后，请开机测试烟管是否有漏风。烟管尽量能够拉直。

有上柜加装饰板

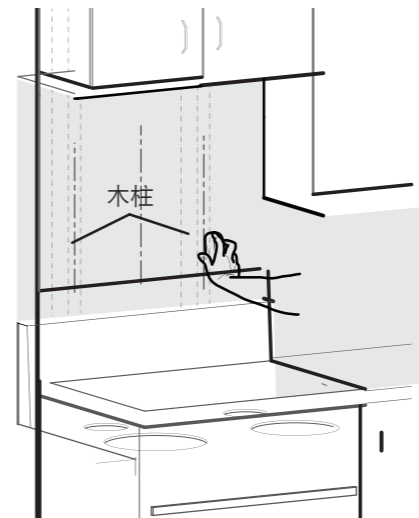
注意：请先确认上柜高度，如果超过 32 1/2" (825mm)，则参考选配 6" (152.4mm) 或 4" (101.6mm) 装饰板。



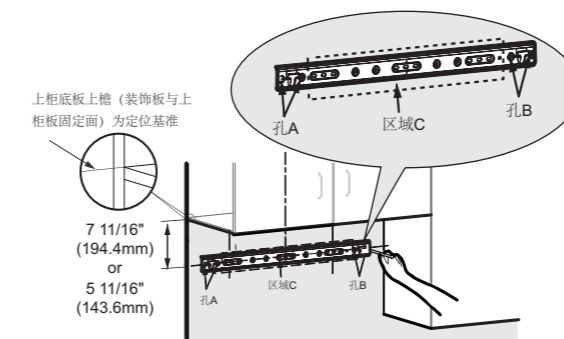
1. 打开包装箱拿出主机，清点附件清单。



2. 在安装位置找到固定挂钩的木柱并用铅笔做好标记。



3. 确认固定主机挂钩的位置：首先确认油烟机安装中心点画一条垂直的中心线，然后以上柜板为基准确认挂钩安装位置，做好打孔标志。尺寸为：上柜底板上檐（装饰板与上柜板固定面）为定位基准到挂钩孔中心点距离为 6" 装饰板 7 11/16" (194.4mm)，4" 装饰板 5 11/16" (143.6mm)



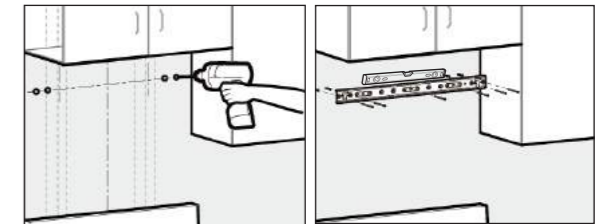
注意：主机挂钩必须有一个木螺钉 (#10×2 9/16" (ST5×65mm)) 要固定在木柱上。

图上孔 A、孔 B 必须固定螺钉，区域 C 挂钩孔位能对应木柱部分必须固定木螺钉 (#10×2 9/16" (ST5×65mm))。

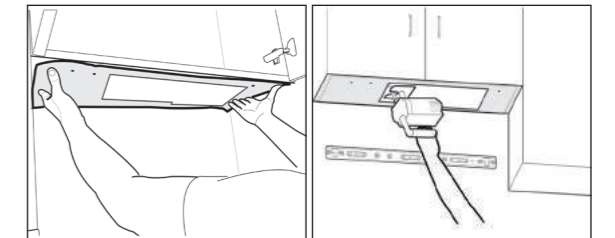
4. 固定挂钩：

1) 打孔标识处是瓷砖（大理石）：在打孔标识处用电钻打 φ3/8" (φ8mm) 孔，并埋设瓷砖膨胀管 (φ1/4"×1 5/16" (φ5.3×32mm))，用挂钩螺钉 (#8×1 7/16" (ST4.2×36mm)) 固定挂钩，并用水平尺确保挂钩水平。

2) 打孔标识处是灰板：在打孔标识处直接用螺丝刀将灰板膨胀管 (φ3/16"×1 5/8" (φ4×40mm)) 拧进墙面，然后用挂钩螺钉 (#8×1 7/16" (ST4.2×36mm)) 固定挂钩，并用水平尺确保挂钩水平。



5. 把开孔尺寸纸有开孔尺寸图的一面朝下贴在上柜板底部，然后按开孔纸上要求开孔。

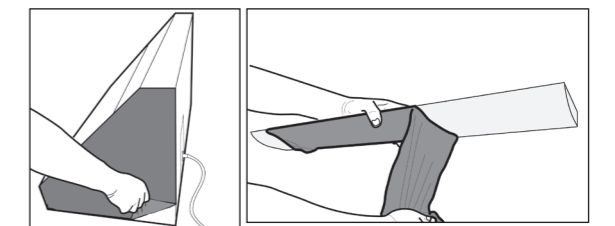


注意：开孔要带上防护眼镜。

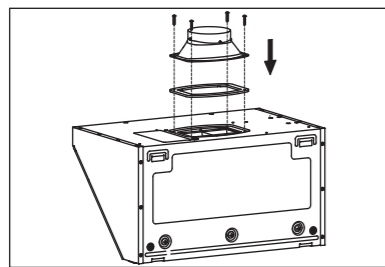
如遇底板靠墙一侧有木条，开孔纸 Rear Wall 侧按此木条厚度裁剪。

如遇挂钩固定在瓷砖上，开孔纸 Rear Wall 一侧应以瓷砖面为基准贴在上橱柜的底部。

6. 把整机两侧不锈钢表面和油杯保护膜撕掉。



7. 在主机出风口放好密封垫（缺口朝下），用4颗 #8×3/4" (M4×18mm) 出风罩螺钉固定好出风罩。



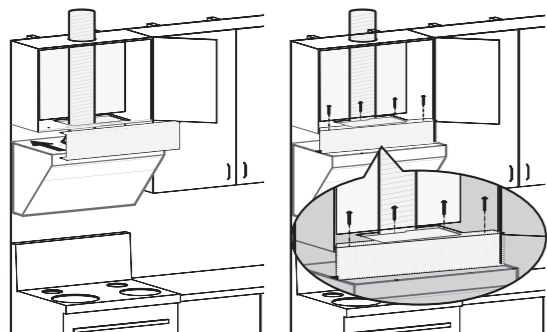
8. 抬起主机将背上部挂钩孔挂上挂钩，再把烟管固定在出风罩上用铝箔胶带做好密封。



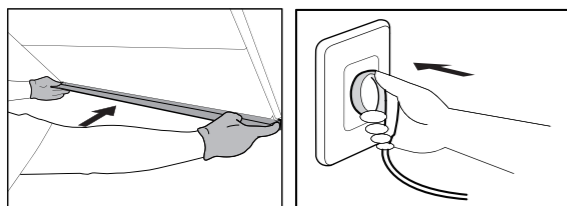
注意：为了安全你需要两个人来安装这个油烟机。

9. 安装装饰板

用 4 颗 #6×1 7/16" (ST3.5×35mm) 木螺钉固定装饰板，把装饰板固定在上柜板上（木螺钉在装饰板包装箱中的附件包内）。



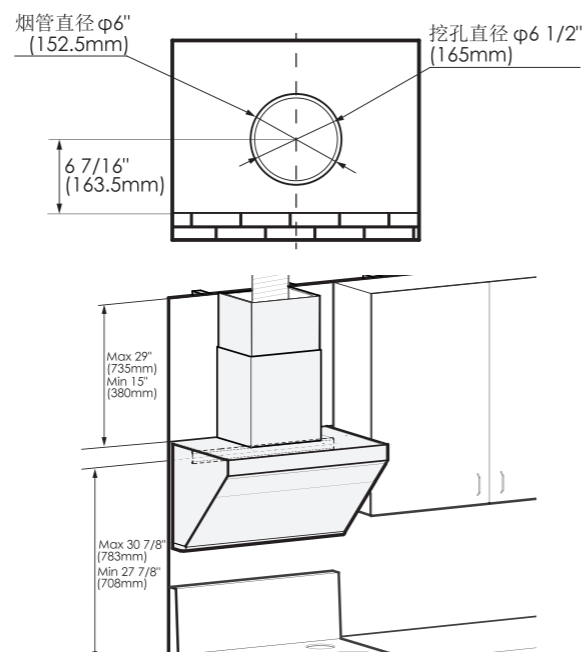
10. 整机必须保持水平，再把油杯安装上去并插上电源试机。



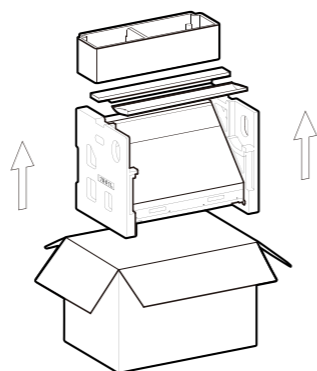
警告：请戴防护手套操作。

注意：铝箔胶带密封后，请开机测试烟管是否有漏风。烟管尽量能够拉直。

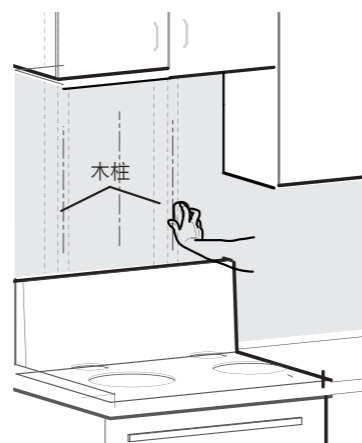
无上柜加装装饰罩



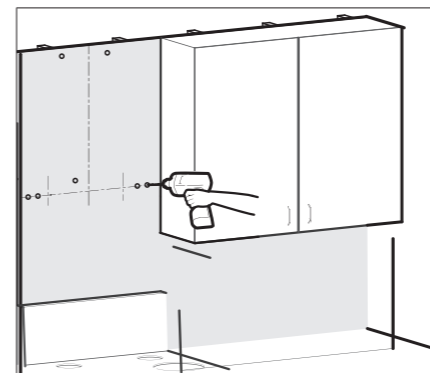
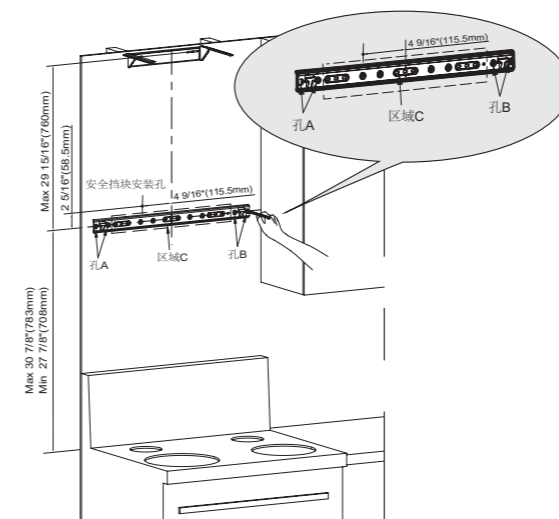
1. 打开包装箱拿出主机，清点附件清单。



2. 在安装位置找到固定挂钩的木柱并用铅笔做好标记。



3. 确认固定主机挂钩、安全挡块和装饰罩挂钩的位置：



注意：主机挂钩必须有一个木螺钉 (#10×2 9/16" (ST5×65mm)) 要固定在木柱上。

图上孔 A、孔 B 必须固定螺钉，区域 C 挂钩孔位能对应木柱部分必须固定木螺钉 (#10×2 9/16" (ST5×65mm))。

首先以灶具中心点确认油烟机安装中心点，然后以灶具台面为基准确认挂钩安装位置，做好打孔标志。尺寸为：灶具台面到挂钩中心点最低 27 7/8" (708mm) — 30 7/8" (783mm)；

安全挡块：挂钩中心线往左 4 9/16" (115.5mm) 再往上 2 5/16" (58.5mm)

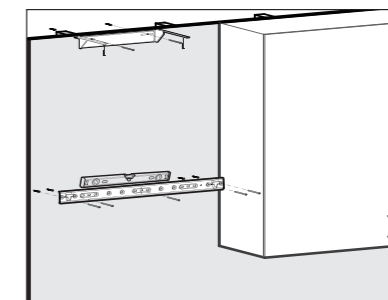
装饰罩挂钩：常规尺寸是，主机挂钩中心点往上最高 29 15/16" (760mm)，如果楼层高度在这个尺寸内就把装饰罩挂钩与天花板平齐。如楼层高度高于这个尺寸，那要单独购买加长装饰罩。加长装饰罩高度有两种分别是：27 9/16" (700mm) 和 35 7/16" (900mm)

打孔标识处埋设膨胀管：

1) 打孔标识处是瓷砖（大理石）：在打孔标识处用电钻打 $\phi 3/8"$ ($\phi 8\text{mm}$) 孔，并埋设瓷砖膨胀管 ($\phi 1/4" \times 1 5/16"$ ($\phi 5.3 \times 32\text{mm}$))。

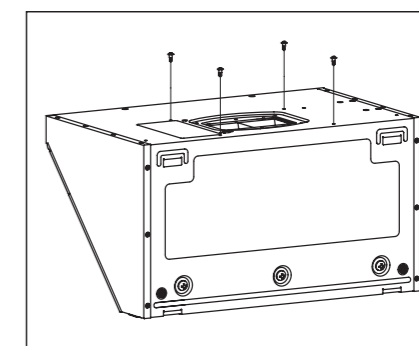
2) 打孔标识处是灰板：在打孔标识处直接用螺丝刀将灰板膨胀管 ($\phi 3/16" \times 1 5/8"$ ($\phi 4 \times 40\text{mm}$)) 拧进墙面。

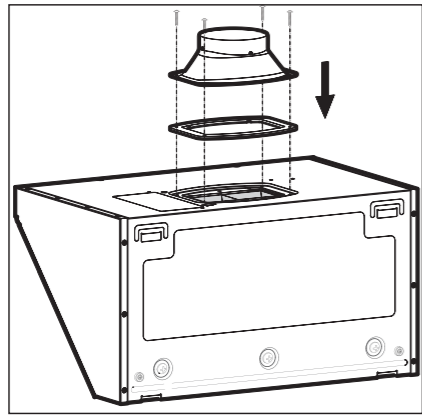
4. 用相应的螺钉在墙上固定好主机挂钩和装饰罩挂钩并拧紧螺钉，确认挂钩水平。



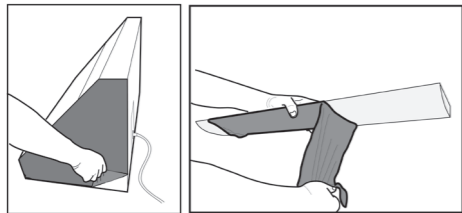
注意：主机挂钩必须有一个木螺钉 (#10×2 9/16" (ST5×65mm)) 要固定在木柱上。

5. 在主机出风口放好密封垫（缺口朝下），用 4 颗 #8×3/4" (M4×18mm) 出风罩螺钉固定好出风罩。相应位置固定 4 颗 #8×7/16" (M4×10mm) 外罩螺钉（外罩螺钉在装饰罩包装箱内的附件包中）。

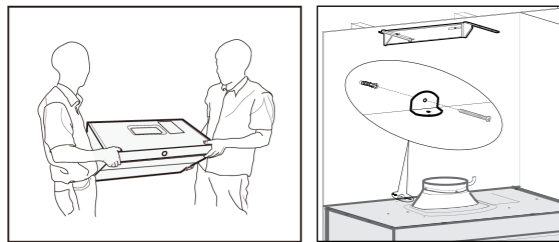




6. 把整机两侧不锈钢表面和油杯保护膜撕掉。

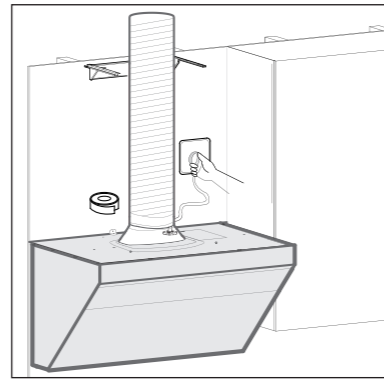


7. 抬起主机将背部上端的挂钩孔挂上挂钩，将油烟机挂稳并用水平尺确保水平，再把安全挡块固定在油烟机上方（安全挡块在装饰罩组件包装箱中的附件包内）。



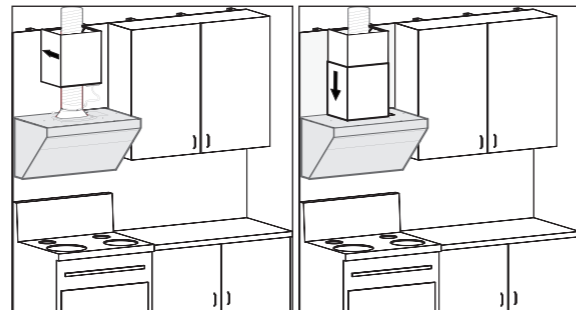
注意：为了安全你需要两个人来安装这个油烟机。请按要求安装安全挡块。安全挡块主要作用为，防止油烟机被意外上抬导致脱出挂钩，造成掉落风险。

8. 把烟管固定在出风罩上用铝箔胶带做好密封。确保整机水平并插上电源插头。

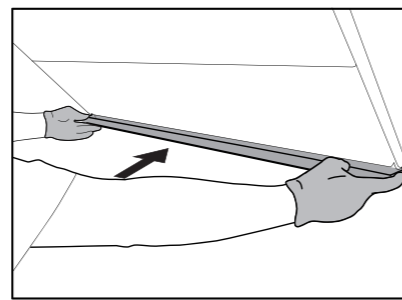


注意：铝箔胶带密封后，请开机测试烟管是否有漏风。烟管尽量能够拉直。

9. 首先撕掉装饰罩、风机外罩上的保护膜，把装饰罩放入风机外罩里。然后同时拿起装饰罩和风机外罩，将装饰罩挂在装饰罩挂钩上，将风机外罩慢慢放下，同时推将装饰罩和风机外罩往里推，直到风机外罩扣到相应的外罩螺钉上。



10. 安装上油杯。



警告：请戴防护手套操作

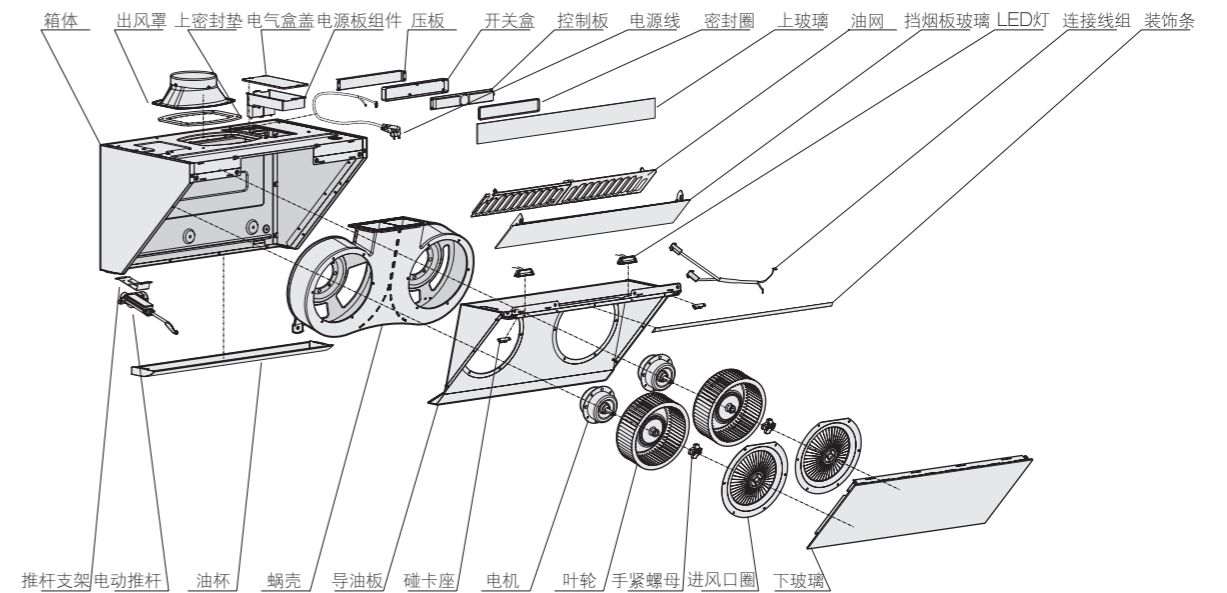
六、安装后调试：

1. 轻触电源键，再轻触灯键，检查“隔烟屏”是否正常打开，检查照明灯是否正常；
2. 轻触风量键，检测电机转动是否正常，如出现下列异常情况，应立即切断电源，停止运转，并检查是否安装缘故（若确定油烟机发生故障，请

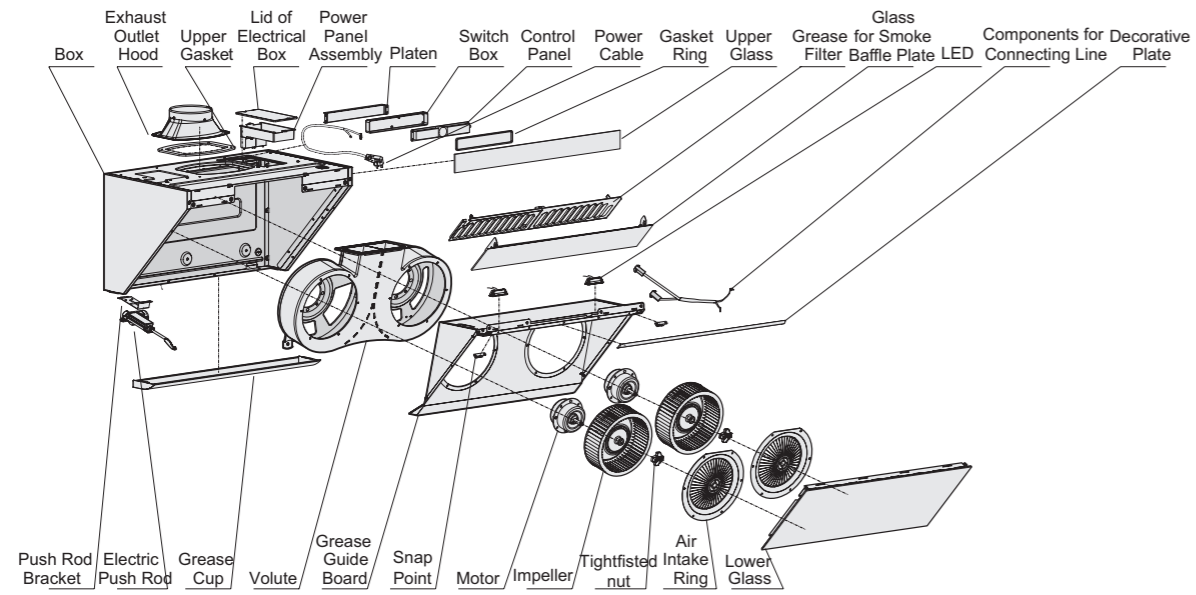
尽快与本公司当地授权的服务中心联系）；

- (1) 机体震动剧烈
 - (2) 叶轮不转动
 - (3) 叶轮转动时明显的摩擦声
 - (4) 电机出现异常声响
3. 轻触电源开关，风机停止转动，隔烟屏关闭。

爆炸图



Explosive View



FOTILE

HOTTE

Notice d'utilisation et d'installation | JQG7501

Veillez lire attentivement la présente notice avant l'installation et l'utilisation de la hotte.
Veillez conserver la notice en vue d'une réutilisation ultérieure ou pour un futur nouveau propriétaire.

FOTILE Sàrl (États-Unis)

* Adresse: Suite 210, 6 Allée Campus, Suite 210, Parsippany, NJ 07054

* Numéro vert: 888-315-0366

* Site web: www.fotileglobal.com/us

* Email: serviceusa@fotile.com



FOTILE YouTube



Service WeChat aux E.-U.

FOTILE Magasin phare à Toronto

* Adresse: 8365 Woodbine Ave, Markham, L3R2P4

* Numéro vert: 844-315-0315

* Site web: www.fotileglobal.com/ca

* Email: info@fotileca.com



FOTILE YouTube



Service WeChat aux E.-U.

Merci !

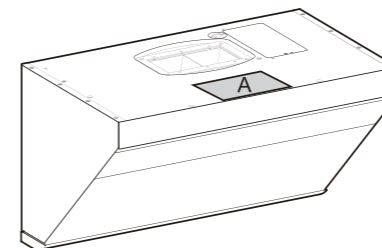
Cher utilisateur, merci d'avoir choisi ce produit FOTILE créé spécialement pour vous. Pour vous familiariser avec toutes les indications concernant la sécurité, le fonctionnement et l'entretien de la hotte, veuillez lire attentivement la présente la présente « Notice d'utilisation et d'installation » (dénommée ci-après la Notice) avant l'utilisation de l'appareil.

Avant l'utilisation de l'appareil, il est primordial que vous lisiez attentivement et suiviez les instructions de la Notice. Les instructions de la notice sont très importantes pour le bon fonctionnement du produit. En cas de dommage lié à une utilisation incorrecte, la garantie ne s'applique pas et aucune demande directe ou indirecte de garantie gratuite ne sera acceptée par nos services après-vente. En cas de besoin de réparations, nous vous recommandons de contacter notre Service après-vente agréé, pendant et après la période de garantie du produit.

Pour vous permettre de profiter d'un service compétent et attentif, notre Service après-vente vous fournira les pièces de rechange et le soutien technique professionnel de Fotile de sorte que votre appareil bénéficie d'une maintenance efficace et de qualité.

Le modèle de produit et le numéro de série sur la plaque sont requis si vous avez besoin de services. La position de la plaque peut se voir dans la figure A comme suit :

(Emplacement de la plaque d'identification)



Sommaire

| | |
|--|----|
| 1 Consignes de sécurité | 46 |
| 2 Fonctionnement | 50 |
| 3 Nettoyage et entretien | 51 |
| 4 Questions fréquentes | 54 |
| 5 Service après-vente | 54 |
| 6 Installation | 55 |
| 6.1 Instructions d'installation | 55 |
| 6.2 Dimensions du produit..... | 56 |
| 6.3 Liste des accessoires | 57 |
| 6.4 Liste des produits dans l'emballage..... | 58 |
| 6.5 Procédure d'installation | 58 |
| 6.6 Test après l'installation | 66 |

Les caractéristiques et les paramètres du produit peuvent être modifiés à tout moment en l'absence de notification et peuvent légèrement être différents du manuel. Vous trouverez les informations mises à jour sur notre site Internet : www.fotileglobal.com.

Pour une utilisation sûre et optimale du produit, veuillez prêter une attention particulière aux instructions suivantes dans la présente notice :

NOTE : pour indiquer les informations très importantes.

ATTENTION : le non-respect de ces instructions peut provoquer des blessures légères ou des dommages au produit.

AVERTISSEMENT : le non-respect de ces consignes de précaution constitue un danger de blessures graves ou de mort.

Consignes de sécurité

In order to prevent accidental damage to the Fotile Range Hood and/or bodily injuries as a result of its operation, please read the following safety information installing and/or using this appliance. Following the instructions carefully will significantly reduce the risk of fire, electric shock and/or bodily injuries to persons. We recommend that you keep this manual for future use and/or in case of transfer of ownership of the range hood.

NOTE :

- Le produit ne peut être utilisé qu'à l'intérieur et non à l'extérieur. Veuillez utiliser le produit uniquement conformément aux instructions du fabricant. Si vous utilisez le produit à l'extérieur ou en des occasions spéciales, Fotile n'en assumera aucune responsabilité. Si vous avez des questions, veuillez contacter le centre de service d'assistance homologué de Fotile.
- Avant d'utiliser ce produit, déballez l'appareil et assurez-vous de l'absence de dommage. En cas d'anomalie, n'utilisez pas l'appareil et contactez immédiatement le centre de service agréé de FOTILE .
- Garder la hotte loin des matériaux comme la poudre de plâtre et la poussière de construction.
- Veuillez utiliser le produit en suivant les instructions de la notice. Veuillez ne pas faire fonctionner le produit sans surveillance. En cas de doute, contactez le centre de service agréé de FOTILE .
- En tant qu'utilisateur, vous êtes responsable du nettoyage, de l'entretien et de l'utilisation appropriée de la hotte dans votre foyer.
- Veuillez nettoyer le filtre métallique à grasse selon les conditions réelles.
- Le moteur de la hotte possède une protection thermique qui coupe automatique le moteur en cas de surchauffe. Le moteur redémarre quand il se refroidit. Si le moteur s'éteint et redémarre constamment, contactez le centre de service agréé de FOTILE.
- Débranchez l'appareil de la prise en cas d'inutilisation prolongée.

- Assurez-vous de l'installation et de la maintenance correctes du produit. L'installation du produit doit respecter tous les codes et normes applicables, y compris les normes de sécurité incendie. L'appareil doit être installé correctement par un technicien qualifié et réglementairement relié à la terre. L'installateur doit s'assurer du fonctionnement normal de l'appareil en position de montage.
- Lorsque la hotte est en mode d'échappement, assurez-vous que le clapet anti-retour est installé.
- Cet appareil est destiné à une utilisation générale et ne peut pas être utilisé pour évacuer des matériaux/gaz dangereux et explosif.
- Le produit est une substance inflammable.
- Pour réduire le risque d'incendie, tous les tuyaux d'échappement, conduits et composants de l'appareil doivent être non-inflammables. Utilisez uniquement les conduits en métal. Ne couvrez jamais la hotte avec du plastique ou du papier inflammable.
- Le service de garantie doit être assuré par un service de régulation ou un personnel reconnu par Fotile. Si vous démontez la machine pour réparation sans permission, le produit ne sera plus couvert par la garantie.
- Veuillez lire l'étiquette de spécification sur la hotte pour plus de renseignements et exigences.
- Veuillez installer un appareil d'air supplémentaire si vous installez la hotte de cuisinière à haute puissance dans une pièce hermétique. En raison de la configuration de la hotte Fotile, il est recommandé d'installer un appareil d'air supplémentaire dans une nouvelle maison hermétique. Veuillez vous conformer aux réglementations en vigueur pour installer un appareil d'air supplémentaire correspondant si des réglementations pertinentes existent dans votre état ou votre région.
- Ce produit est limité aux USA et au Canada.
- L'utilisation de ce produit est réservée aux États-Unis et au Canada.

ATTENTION:

- Lorsque les réglementations locales applicables comprennent les exigences d'installations et/ou de certification plus restrictives, lesdites exigences prévalent sur celles de ce document et l'installateur entend s'y conformer.
- La température ambiante pour l'utilisation de la hotte ne doit pas dépasser 104 °F (40°C).
- Les objets déposés sur l'appareil pourraient tomber ou se renverser. Ne déposez jamais d'objets sur l'appareil. Si, par exemple, un flacon déposé sur l'appareil se renversait, le fluide dans le flacon pourrait s'infiltrer dans l'appareil, endommager ainsi les pièces électriques et entraîner des risques évitables. Si l'appareil était ainsi détérioré, la réparation ne serait pas prise en charge gratuitement.
- Veuillez nettoyer régulièrement la coupe d'huile pour éviter tout débordement. L'huile collectée dans la coupe n'est pas réutilisable !
- Lorsque vous coupez ou percez un mur ou un plafond, faites attention à ne pas endommager le câblage électrique, les conduites d'eau ou de gaz et d'autres équipements cachés. Veuillez ne pas placer des matériaux inflammables dans la tasse d'huile, tels que la pellicule plastique, des serviettes en papier, etc.
- Veuillez suivre les consignes du fabricant de l'équipement de chauffage et d'autres normes de sécurité, telles que celles publiées par la National Fire Protection Association (NFPA), l'American Society for Heating, Refrigeration and Air Conditioning Engineers (ASHRAE) et les autorités désignées par les réglementations locales. Veuillez respecter également les normes de sécurité publiées par les services administratifs comme le service des incendies.
- Lorsque les tables de cuisson à gaz sont en fonctionnement sans ustensile de cuisson posé sur elles, l'appareil installé au-dessus peut être endommagé par la chaleur ou prendre feu. Sur les foyers gaz, posez toujours des ustensiles de cuisson lorsque vous les utilisez.
- Assurez-vous que la tension réelle et la fréquence sont accordées avec celles

clarifiées dans la notice afin d'éviter les éventuelles dommages à la hotte.

- Veuillez utiliser les accessoires standards fournis par notre entreprise, pour éviter des chutes accidentelles de la hotte ; Les trous percés sur la paroi du mur doivent correspondre précisément à la taille des joints de dilatation, afin d'éviter l'instabilité des joints qui peut provoquer une chute accidentelle.
- Le verre trempé est appliqué à l'appareil. Il existe ainsi un risque minime d'explosion spontanée vu le processus de trempe du verre. Si l'utilisation appropriée de l'appareil donne lieu à une explosion spontanée, la société s'engage à remplacer gratuitement la pièce en question. La possibilité de la rupture du verre trempé peut être considérablement augmentée dans les situations ci-après ; celles à éviter : Par exemple, frapper le verre, en particulier les coins du verre, avec des ustensiles de cuisine ou d'autres objets durs; La vitre est heurtée lorsque vous ouvrez une porte d'armoire autour de la hotte; Placez le verre dans un environnement extrêmement chaud ou froid ou dans un environnement où la chaleur et le froid alternent excessivement.
- Toute modification non autorisée de ce produit peut entraîner des risques.

AVERTISSEMENT :

Danger d'électrocution

- Un produit défectueux peut provoquer de l'électrocution. Ne démarrez jamais un produit défectueux. En cas de problème, veuillez débrancher cet appareil de la source de courant ou couper la source d'alimentation générale et veuillez contacter les centres de service agréés de FOTILE.
- L'appareil doit être branché sur une prise de courant de mise à la terre efficace et dédiée. L'électrocution, l'échauffement des prises et l'incendie peuvent survenir lors de la connexion de ligne d'alimentation électrique, de l'utilisation de rallonge et de dispositif de câblage multipoint, les opérations doivent donc toujours être effectuées par un électricien qualifié, en stricte conformité

avec tous les codes électriques nationaux et locaux applicables. Avant le câblage, couper l'alimentation et prendre des mesures raisonnables pour éviter l'activation automatique de l'interrupteur.

- Il est interdit d'utiliser l'appareil avec un courant alternatif supérieur à 120V afin d'éviter tout danger.
- Il est interdit d'installer le produit dans une salle de bains ou les endroits très humides pour éviter l'électrocution.
- Si le câble d'alimentation est endommagé, il doit être remplacé par le fabricant ou les professionnels des centres de service autorisés par le fabricant, afin d'éviter tout danger.
- Pour éviter les risques d'électrocution et d'incendie, veillez à ne pas restructurer, étirer, plier ni presser le câble d'alimentation.
- Les moteurs, les interrupteurs, les connecteurs et autres composants électriques ne doivent pas être en contact avec l'eau. Il est interdit de rincer la hotte avec de l'eau. Ne pas utiliser l'appareil s'il est humide, l'utilisation peut provoquer des fuites de courant et l'électrocution.
- Toute modification non autorisée au câblage interne du produit est interdite. Toute modification peut provoquer un dysfonctionnement et des blessures. Une maintenance inappropriée peut provoquer des risques d'électrocution et d'incendies.
- Avant de nettoyer, d'installer ou d'entretenir l'appareil, coupez le courant afin d'éviter l'électrocution.
- Ne jamais utiliser de nettoyeur à haute pression ou de nettoyeur à vapeur, qui peut provoquer l'électrocution.
- Ne jamais toucher les composants électriques du connecteur ou manipuler l'interrupteur avec les mains mouillées qui peuvent provoquer l'électrocution.

Mise à terre

- Pour prévenir tout choc électrique en cas de court-circuit, l'appareil doit être mis à terre. Ce produit est doté d'un fil de mise à terre avec fiche

de terre. La fiche doit être raccordée à une prise de terre installée correctement.

- Une utilisation impropre de la fiche de terre peut provoquer un choc électrique.
- En cas de doute sur la compréhension des instructions de la notice ou sur la mise à la terre du produit, veuillez consulter un électricien qualifié.
- Ne pas utiliser de rallonge. Si le câble d'alimentation est trop court, demandez à un électricien qualifié d'installer une prise de courant à proximité de l'appareil.

Risque d'incendie

- Pour réduire le risque d'incendie, l'air sortant doit être évacué à l'extérieur. Ne rejeter pas l'air sortant dans des murs ou des plafonds, ni dans le grenier, des espaces étroits ou le garage.
- Le non-respect des méthodes de nettoyage décrites dans la notice peut provoquer des risques d'incendie.
- L'huile chaude et la graisse peuvent s'enflammer spontanément. Ne faites chauffer de la graisse ou de l'huile qu'en les surveillant en permanence.
- Les dépôts de graisse dans le filtre à graisse peuvent prendre feu, nettoyez régulièrement le filtre à graisse.
- Ne pas utiliser l'appareil en l'absence du filtre à graisse.
- Les dépôts de graisse dans le filtre à graisse peuvent prendre feu. Ne manipulez jamais de flamme nue à proximité du produit. Ne pas installer l'appareil à proximité des foyers à combustibles solides (p.ex. bois ou charbon). La projection d'étincelles peut provoquer le risque d'incendie. Evitez de flamber des mets sous l'appareil.

Pour réduire le risque de feux de graisse des foyers :

- 1) Ne laissez jamais les ustensiles de cuisson chauffer à feu fort sans surveillance. Les débordements peuvent provoquer le risque d'incendie par de la fumée et de l'huile. Faites chauffer les huiles graduellement à feu doux ou moyen.

- 2) Mettez toujours la hotte lors des cuissons.
- 3) Nettoyez la hotte. La graisse ne doit pas s'accumuler sur le ventilateur, le filtre ou dans le conduit d'échappement.
- 4) Utilisez les ustensiles de cuisson aux dimensions adéquates. Utilisez toujours des ustensiles adaptés à la taille de surface de la table de cuisson.

Pour réduire le risque de blessures en cas de feux de graisse au dessus de la table de cuisson, respectez les consignes suivantes :

- 1) Etouffez les flammes avec un couvercle hermétique, une plaque à biscuits ou un plateau métallique, puis éteignez la table de cuisson. Soyez prudent pour éviter les brûlures. Si les flammes ne sont pas étouffées immédiatement, évacuez le lieu et appelez le service d'incendie. Lorsqu'un ustensile de cuisine prend feu, éteignez la hotte immédiatement (l'utilisation de la hotte peut amplifier le feu). Des mesures d'extinction efficaces doivent être prises, par exemple, couvrir la flamme nue avec un couvercle en métal, fermer le robinet de gaz principal et éloigner les substances inflammables de la flamme.
- 2) Ne touchez jamais un ustensile en feu, vous pouvez vous brûler.
- 3) N'éteignez jamais le feu avec de l'eau, ni avec les torchons ou les serviettes humides. Une violente explosion de vapeur peut se produire.
- 4) Utilisez un extincteur seulement si :
 - Vous avez suivi des formations de base sur l'extincteur et vous maîtrisez déjà l'utilisation de celui-ci ;
 - Le feu est petit et restreint dans la zone où il a commencé ;
 - Le service d'incendie est appelé ;
 - Vous pouvez combattre le feu avec votre dos à une sortie.

Risque de blessures

- Cet appareil n'est pas destiné à être utilisé par des personnes (y-compris des enfants) dont les capacités physiques, sensorielles ou mentales sont réduites, ou manquant d'expérience et

de connaissances, à moins qu'elles ne soient surveillées ou instruites par une personne responsable de leur sécurité sur le mode d'utilisation de l'appareil. Surveillez les enfants et faites en sorte qu'ils ne jouent pas avec l'appareil.

- Les arêtes de la hotte peuvent être très vives : veuillez toujours porter des gants de protection lorsque vous manipulez l'appareil et particulièrement lorsque vous l'installez, le nettoyez et le réparez, pour éviter les blessures causées par les bords métallique de l'appareil.
- Les parties accessibles de l'appareil deviennent très chauds lors de fonctionnement. Ne touchez jamais les parties chaudes. Veillez à maintenir les enfants à distance de sécurité.
- Ne touchez pas les ampoules allumées ou à peine éteintes pour éviter les brûlures.
- Pour éviter des blessures, il est interdit de mettre vos doigts ou tout autre objet dans la turbine de l'appareil lorsqu'elle est en fonctionnement.
- Cet appareil n'est pas prévu pour fonctionner avec une minuterie externe ou une télécommande.
- Des réparations inexpertes sont dangereuses. Les réparations sont exclusivement réservées à un technicien qualifié du Service après-vente.
- En cas d'anomalie de fonctionnement de l'appareil, coupez le courant par le disjoncteur ou débranchez la fiche mâle de la prise de courant. Contactez immédiatement notre centre de service agréé. L'utilisation de l'appareil dans des conditions anormales peut provoquer des risques d'électrocution et d'incendie.
- Ce produit peut vous exposer à une substance chimique et l'État de Californie est informé qu'elle est carcinogène et provoque des malformations congénitales ou d'autres risques pour la reproduction. Pour plus d'informations, veuillez consulter le site : www.P65Warnings.ca.gov.

Risque d'étouffement

- Le matériau d'emballage est dangereux pour les enfants. Pour éviter les accidents d'asphyxie, ne permettez jamais aux enfants de jouer avec les matériaux d'emballage. Tenez les enfants à

l'écart des matériaux d'emballage. Le matériau d'emballage n'est pas un jouet.

Danger de mort :

- Des gaz de combustion réaspirés peuvent provoquer des dangers d'intoxication. Ne jamais utiliser l'appareil en mode évacuation en même temps qu'un foyer à air ambiant si un apport suffisant en air frais n'est pas assuré. Un conduit spécifique (par exemple cheminée) doit permettre le rejet des gaz de fumé et éviter la ré-aspiration.

Fonctionnement

AVERTISSEMENTS

- Ne pas appuyer trop fort sur les touches ;
- Ne pas laisser les ustensiles chauffer à vide ;
- Démonter l'appareil seulement après avoir coupé le courant et respecter les consignes relatives ;
- Ne pas laisser déborder la coupe d'huile ;
- Le démontage et la vérification de l'appareil sont exclusivement réservés au personnel professionnel ;
- Il est interdit de laisser les flammes nues sous la hotte.

Informations du produit

Principales spécifications techniques

| | | |
|---|--|---------------------|
| Modèle | JQG7501 | |
| Dimensions du produit LxDxH | 29 7/8 × 18 1/4 × 17 7/16 pouce (758 × 462 × 442 mm) | |
| Poids net | 63,9 lbs(29Kg) | |
| De tension/Fréquence | 120V/60Hz | |
| Puissance nominale d'entrée de l'appareil | 256 W (puissance lumineuse incluse 3W × 2) | |
| CFM(HVI) | Max. | 530 |
| | Moyen | 410 |
| | Min. | 230 |
| Bruit | Max. | 54,3dB(A)(6Sones) |
| | Moyen | 49,2dB(A)(3,9Sones) |
| | Min. | 39dB(A)(1,2Sones) |
| Pression statique maximale | 400 Pa | |

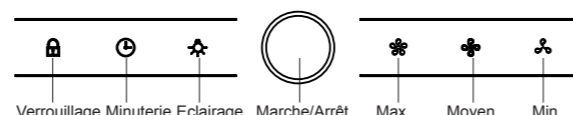
Note :1. Le bruit en dB dans le tableau ci-dessus est conforme à la norme IEC60704, c'est le niveau de pression acoustique ; le niveau de puissance sonore correspondant est : Max. 68,3dB(A)- Moyen 63,2dB(A)- Min. 53dB(A).
2. Le bruit (sones) est conforme aux critères de HVI-915-2015 et résulte du test réalisé dans un laboratoire américain de HVI agréé.
3. Il y peut avoir un écart de moins de 5% pour les paramètres du bruit, etc..



HVI-2100 CERTIFIED RATINGS comply with new testing technologies and procedures prescribed by the Home Ventilating Institute, for off-the-shelf products, as they are available to consumers. Product performance is rated at 0.1 in. static pressure, based on tests conducted in a state-of-the-art test laboratory. Sones are a measure of humanly-perceived loudness, based on laboratory measurements.

Fonctionnement

1. Bandeau de commande



2. Description

- Touche Marche/Arrêt** : Lorsque la hotte est éteinte, la pression de la touche permet d'allumer l'appareil et d'activer le mode veille : la touche Marche/Arrêt et la bande de lumière s'allument en lumière forte et les autres touches en lumière faible. Lorsque la hotte est en fonctionnement, après la pression de la touche, toutes les fonctions sont désactivées, les touches et la bande de lumière s'éteignent, l'écran de fumé se ferme automatiquement. Seule la touche Verrouillage fonctionne lorsque l'appareil est éteint.
- Touche de Max.** : La pression de la touche permet d'allumer le ventilateur : l'écran de fumée s'ouvre automatique et la touche de Max. s'allume en lumière forte. Si l'on est en Max., la pression de la touche arrête le moteur et la lumière de la touche baisse.
- Touche de Moyen** : La pression de la touche permet d'allumer le ventilateur : l'écran de fumée s'ouvre automatique et la touche de Moyen s'allume en lumière forte. Si l'on est en Moyen, la pression de la touche arrête

- le moteur et la lumière de la touche baisse.
- Touche de Min.** : La pression de la touche permet d'allumer le ventilateur : l'écran de fumée s'ouvre automatiquement et la touche de Min. s'allume en lumière forte. Si l'on est en vitesse 1, la pression de la touche arrête le moteur et la lumière de la touche baisse.
- Touche Eclairage** : La pression de la touche allume l'éclairage : l'écran de fumée s'ouvre automatique et la touche s'allume en lumière forte. Si l'éclairage est allumé, la pression de la touche éteint l'éclairage et la lumière de la touche baisse.
- Touche Minuterie** : Si le moteur est actif, la pression de la touche active la minuterie de deux minutes : la touche s'allume en lumière forte. Au bout de deux minutes de fonctionnement, toutes les fonctions sont désactivées et l'écran de fumée se ferme automatiquement.

Lorsque la fonction minuterie est activée, la pression de la touche permet d'arrêter la minuterie. La lumière de la touche baisse et la hotte continue à fonctionner à la vitesse réglée précédemment.

Lorsque la fonction minuterie est activée, la pression de toute autre touche permet d'arrêter la minuterie. La lumière de la touche baisse et la hotte effectue la fonction de la touche appuyée.

- Touche Verrouillage** : Lorsque le ventilateur de la hotte est arrêté, la pression prolongée pendant 2 secondes de la touche permet de verrouiller toutes les touches de l'appareil : l'appareil émet un son court et la touche s'allume en lumière forte. Si la fonction de verrouillage est activée, la pression prolongée pendant 2 secondes de la touche permet de déverrouiller les touches : la lumière de la touche baisse. Lorsque le ventilateur de la hotte est en fonctionnement, la touche Verrouillage est désactivée et la pression de la touche produira un son d'alarme.

Nettoyage et entretien

NOTE :Après le nettoyage, veuillez réinstaller correctement le filtre à grasse. Ne pas faire fonctionner la hotte en l'absence de filtre à grasse pour éviter le risque de sécurité éventuel.

ATTENTION:

- Risque de détérioration par la corrosion. Toujours allumer l'appareil pendant la cuisson afin d'éviter la formation de condensation. La condensation peut provoquer de la corrosion.
- Les surfaces peuvent être endommagées par un nettoyage non conforme. Nettoyer les surfaces en inox seulement dans le sens du métal. Pour les organes de commande, ne pas utiliser de nettoyant pour inox.
- Les nettoyants agressifs ou à récurer peuvent endommager la surface.
- Changez immédiatement les LED défectueuses pour empêcher une surcharge des autres lampes.

Attention: Au bout de 2 minutes sans opération en mode veille, la hotte aspirante s'éteindra automatiquement.

AVERTISSEMENT:

- Le non-respect des méthodes de nettoyage indiquées dans les instructions peut provoquer le risque d'incendie.
- Lorsque vous nettoyez la hotte, faites attention pour éviter que l'eau pénètre dans le moteur ou dans les touches de commande. La présence d'eau dans le circuit électrique peut endommager l'appareil.
- N'utilisez jamais d'essence, de produits acides, de benzène, de solvant ou d'autres produits chimiques pour nettoyer la hotte.

Risque d'électrocution :

- L'humidité pénétrée peut provoquer un choc électrique. Avant le nettoyage et l'entretien de la hotte, débranchez l'appareil de la prise d'alimentation ou coupez l'alimentation principale pour éviter le risque d'électrocution.

- Ne pas utiliser de nettoyeurs à haute pression ou à vapeur, qui peuvent provoquer un choc électrique.

Risque d'incendie :

- Les dépôts de grasse dans le filtre à grasse peuvent prendre feu.
- Veuillez ne pas placer des matériaux inflammables dans la tasse d'huile, tels que la pellicule plastique, des serviettes en papier, etc.
- Veuillez éviter une accumulation excessive d'huile et nettoyez régulièrement la coupelle d'huile et les autres composants susceptibles d'accumuler de l'huile.

Risque de blessures :

- Avant toute opération d'installation, de nettoyage ou de réparation de l'appareil, assurez-vous que le courant est coupé pour éviter l'électrocution. Les arêtes de la hotte peuvent être très vives : veuillez toujours porter des gants de protection lorsque vous manipulez l'appareil et particulièrement lorsque vous l'installez, le nettoyez et le réparez, pour éviter les blessures causées par les bords métallique de l'appareil.
- Lorsque le ventilateur est en cours d'utilisation, il est interdit de mettre la main dans la zone de fonctionnement du ventilateur.
- L'appareil, en particulier les parties autour de lampes LED, chauffe pendant le fonctionnement. Avant de nettoyer l'appareil, attendez toujours qu'il ait refroidi. Ne touchez pas les ampoules LED allumées ou à peine éteintes, vous risquez de vous brûler.
- Pour un nettoyage en profondeur de la hotte, contactez un centre de service agréé de FOTILE.
- Pour une utilisation agréable du produit, veuillez nettoyer régulièrement la surface de la hotte.
 - 1) Si la surface de la hotte est tâchée, utilisez un détergent doux pour nettoyer les taches en évitant les éléments de commande. Mettez du détergent sur les endroits tâchés, laissez agir (ne pas laisser le détergent trop longtemps

sur l'appareil pour éviter des dommages) et essuyez les taches avec un chiffon doux. Utilisez une serviette légèrement humide pour nettoyer le détergent, puis une serviette douce et sèche pour sécher l'appareil.

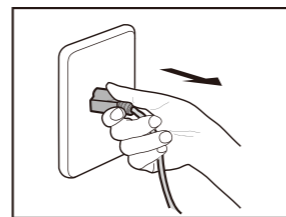
2) Ne laissez pas les taches rester trop longtemps sur la surface de la hotte.

3) Si de la solution saline, du désinfectant, de l'eau de javel ou d'autres nettoyants tombe accidentellement sur le panneau en acier inoxydable, essuyez immédiatement avec une serviette légèrement humide, puis séchez avec un chiffon sec.

AVERTISSEMENTS : N'utilisez jamais de produits à récurer tels que les balles de nettoyage, les brosses et les chiffons abrasifs pour éviter les rayures sur la surface de l'appareil.

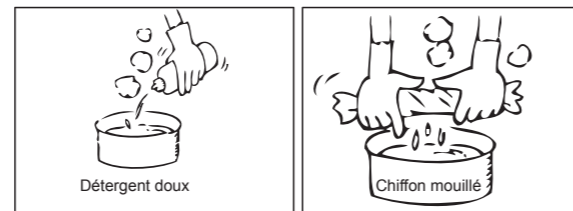
Préparations avant le nettoyage :

1. Débranchez la prise électrique de la hotte ou débranchez la prise de courant.



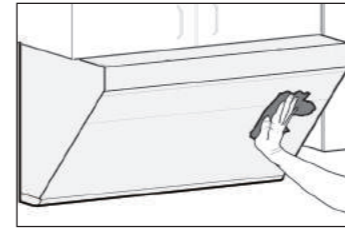
2. Nettoyez les ustensiles sur la plaque de cuisson.

3. Préparez un détergent doux et un chiffon doux (brosse douce).

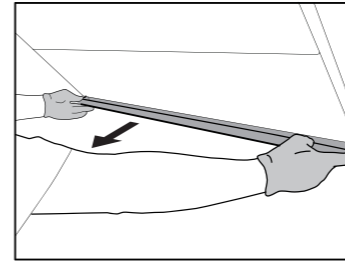


Nettoyez la surface de l'appareil, la coupe d'huile et le filtre à grasse : (Cette opération peut être effectuée par l'utilisateur)

1. Nettoyez la surface de l'appareil.

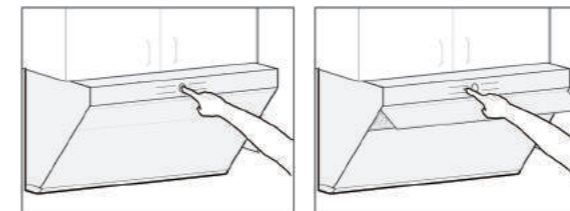


2. Enlevez la coupe d'huile d'une manière horizontale et nettoyez-la.



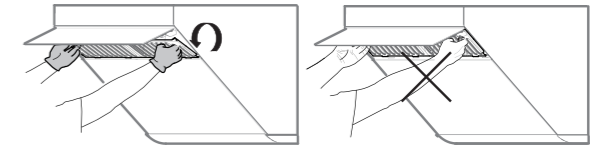
Avertissement : Pour votre sécurité et celle de votre famille, nettoyez régulièrement l'huile contenue dans le gobelet et déposez les sédiments sur la surface extérieure du gobelet afin d'éviter tout risque d'incendie. Veuillez utiliser des gants de protection.

3. Appuyez sur la touche Marche/Arrêt, puis appuyez sur la touche Eclairage, ouvrez l'écran de fumée.

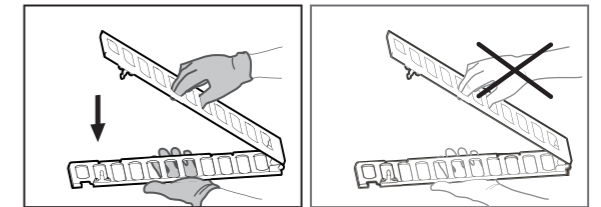


4. Emportez le filtre à grasse de part et d'autre, puis sortez le filtre à grasse en le tirant vers l'extérieur.

Avertissement : Veuillez porter des gants de protection.



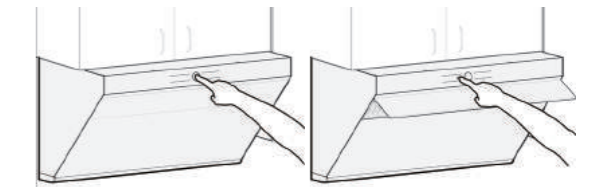
★ **RECOMMANDATIONS :** Pour votre santé et celle de votre famille, nettoyez régulièrement le filtre à grasse. Le filtre à grasse peut être plié et nettoyé au lave-vaisselle.



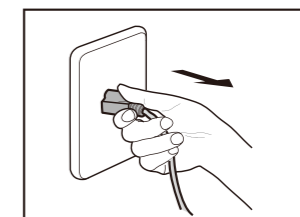
Avertissement : Veuillez porter des gants de protection.

Changer les LED :

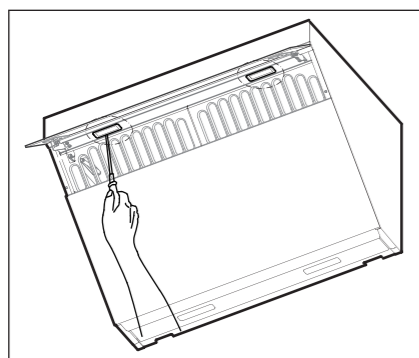
1. Appuyez sur la touche Marche/Arrêt, puis appuyez sur la touche Eclairage, ouvrez l'écran de fumée ;



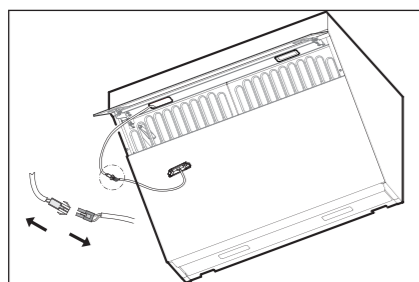
2. Débranchez la prise électrique de la hotte ou débranchez la prise de courant.



3. Utilisez un petit tournevis plat pour insérer dans le bord de la lampe et enlevez l'ensemble de la lampe.



4. Démontez le câble de la lampe et remplacez toute la lampe LED.



La lampe utilisée est LED: la puissance de la lampe est de 3 W, la plage de tension est de 8,5 ~ 12 V et la taille de la lampe est : largeur 2 13/16" (70mm) / profondeur 7/8" (21mm)/ hauteur 3/4" (19mm).

Risque d'électrocution :

Avant le changement de la lampe LED, débranchez la fiche mâle de la prise de courant ou coupez le courant de la prise femelle pour éviter l'électrocution.

Questions fréquentes

AVERTISSEMENTS : RISQUE D'ELECTROCUTION

• Des réparations inexpertes sont dangereuses. Les réparations et le remplacement des câbles d'alimentation endommagés sont exclusivement réservés à nos centres de services agréés ou aux électriciens qualifiés. Si l'appareil présente une quelconque défaillance, débranchez la fiche mâle de la prise de courant ou coupez le courant de la prise femelle pour éviter l'électrocution. Contactez le service après-vente agréé par FOTILE.

- Avant le changement de la lampe LED, débranchez la fiche mâle de la prise de courant ou coupez le courant de la prise femelle pour éviter l'électrocution.
- Dans le cas d'une quelconque anomalie pendant l'utilisation, arrêtez d'utiliser l'appareil. Débranchez la fiche mâle de la prise de courant ou coupez le courant de la prise femelle. Examinez les éléments ci-dessous.

| Dysfonctionnement | Causes possibles |
|--|--------------------------------|
| La touche Marche/Arrêt ne répond pas. La hotte ne fonctionne pas et l'éclairage ne s'allume pas. | Pas d'alimentation électrique. |
| Le moteur fonctionne mais l'éclairage ne s'allume pas. | LED défectueuses |

Si les causes ci-dessus sont exclues et l'appareil ne fonctionne toujours pas, contactez le centre de service agréé par FOTILE pour la réparation.

Service après-vente

AVERTISSEMENTS

- Si la hotte aspirante présente une quelconque anomalie, arrêtez d'utiliser l'appareil. Débranchez la fiche mâle de la prise de courant ou coupez le courant de la prise femelle. Contactez le service après-vente agréé par FOTILE.
- Les réparations de l'appareil sont exclusivement réservées au personnel qualifié ayant suivi une formation professionnelle.
- D'autres personnels ne sont pas autorisés à réparer la hotte sans autorisation, afin d'éviter de graves conséquences. Si le produit est endommagé en conséquence, il ne sera plus couvert par la garantie. • Évitez de réparer ou de remplacer une pièce de la hotte à moins que cela ne soit spécifiquement suggéré dans le manuel. Tous les autres travaux d'entretien doivent être effectués par des techniciens qualifiés.
- Les éléments suivants ne sont pas couverts par la garantie gratuite et seront facturés pour

des réparations :

1. Le produit est endommagé du fait de la manipulation, l'installation, l'utilisation, l'entretien et la conservation impropres par l'utilisateur.
2. Le défaut ou dommage causés par l'utilisation forcée du produit sous des conditions de service anormales (par. ex. le dommage causé par la tension excédent 132V ou inférieure à 104V).
3. Produit installé et démonté par un l'utilisation ou par un personnel de service ou une organisation de service non désigné par Fotile.
4. L'incohérence des informations sur le bon d'achat et sur la carte de garantie avec le produit.
5. Dommage sur le produit causé par une force majeure (comme une catastrophe naturelle, la guerre, etc.).
6. Défaillance ou dommage du produit causé par la défaillance à utiliser le produit conformément aux « Instructions d'utilisation ».

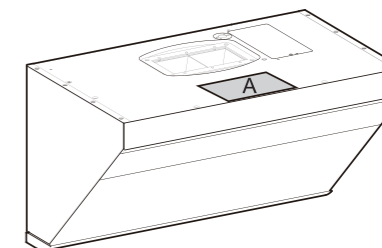
Installation

6.1 Instructions d'installation

NOTE :

- Veuillez lire les instructions avant l'installation et conserver la notice de montage pour la référence de l'inspecteur local ou pour une réutilisation ultérieure.
- Cet appareil doit être installé conformément au Code Electrique National, ainsi que tous les codes étatiques, municipaux et locaux.
- Protégez le produit par un disjoncteur adapté et une mise à la terre efficace.
- Les caractéristiques nominales de tension, de fréquence et d'ampérage sont répertoriés sur la plaque d'identification du produit et doivent être respectés.
- L'installation de l'appareil doit être effectuée par le centre de service agréé de FOTILE ou par un installateur autorisé.
- Avant l'installation de la hotte, La position de

la plaque peut se voir dans la figure A comme suit :



ATTENTION:

- Veuillez lire attentivement toutes les instructions en respectant particulièrement les consignes suivantes avant l'installation :
 1. Si votre cuisine est en cours de rénovation, n'exposez pas la hotte à l'air. Les matériaux de construction, les poussières, la peinture et les revêtements ainsi que leur gaz volatilisé peuvent provoquer de la corrosion et ternir les surfaces de l'appareil. Installez la hotte aspirante après les travaux de rénovation de votre cuisine.
 2. Si vous devez déplacer la cuisinière à gaz avant l'installation de la hotte, fermez le robinet du gaz avant de la déplacer.
 3. L'air sortant de la hotte ne doit pas pénétrer dans une cheminée en service destinée à évacuer la fumée ou des gaz brûlés.
 4. Compte tenu de la taille et du poids de la hotte, il est recommandé de l'installer à deux personnes, l'installation doit donc être effectuée par des personnes professionnelles suivant les instructions indiquées dans la notice.
 5. Après que le produit est fixé, la fiche électrique doit être accessible.
 6. La hotte doit être fixée correctement en respectant une parfaite horizontalité.
 7. Vérifier que l'appareil ne présente aucune anomalie en le mettant en service après l'installation.

AVERTISSEMENT

- Pour réduire les risques d'incendie, d'électrocution et de blessures, prêtez une attention particulièrement aux instructions suivantes :
 1. L'installation et le câblage de la hotte doivent être effectués par les personnes

professionnelles, conformément à toutes les réglementations et les normes pertinentes, y compris les instructions liées à l'incendie. Une installation correcte est la responsabilité de l'installateur. Les pannes du produit dues à une mauvaise installation ne sont pas couvertes par la garantie de FOTILE.

2. Pour assurer la sécurité et le bon déroulement de l'installation, utiliser les accessoires fournis avec l'appareil. Les trous sur la paroi du mur doivent correspondre précisément avec la taille des joints de dilatation. Il est interdit de percer les trous trop grands afin d'éviter l'instabilité des joints qui peut provoquer une chute accidentelle !

3. La hotte aspirante doit être branchée sur une prise de courant de mise à la terre efficace et dédiée. Car l'électrocution, l'échauffement des prises et l'incendie peuvent survenir lors de la connexion de ligne d'alimentation électrique, de l'utilisation de rallonge et de dispositif de câblage multipoint. Coupez le courant avant le câblage, assurez-vous que les mesures appropriées ont été prises pour éviter la connexion inattendue.

4. La connexion électrique est interdite pendant l'installation. Coupez l'alimentation par la boîte d'alimentation principale. Si le câble d'alimentation fourni est endommagé, il doit être remplacé par un câble ou un ensemble spécifique disponible auprès du fabricant ou de ses revendeurs.

5. Une installation par l'utilisateur lui-même peut constituer un danger d'électrocution, de chute accidentelle et d'incendie. Le démontage, l'installation et la réparation de la hotte sont exclusivement réservés aux professionnels.

Risque de blessures :

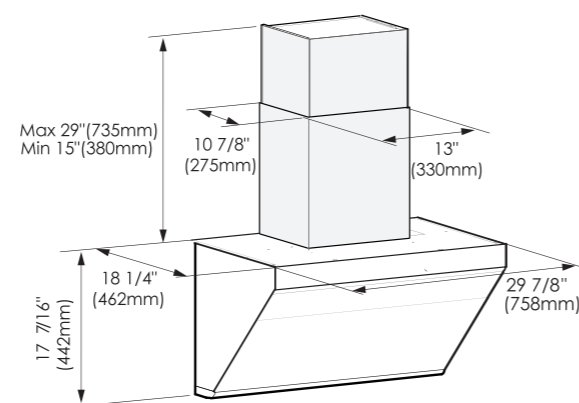
- Avant toute opération d'installation, de nettoyage ou de réparation de l'appareil, assurez-vous que le courant est coupé pour éviter l'électrocution.
- Les arêtes de la hotte peuvent être très vives : veuillez toujours porter des gants de protection lorsque vous manipulez l'appareil

et particulièrement lorsque vous l'installez, le nettoyez et le réparez, pour éviter les blessures causées par les bords métallique de l'appareil.

Avertissements avant installation

- Afin d'éviter des dommages à la hotte, assurez-vous que des débris ne rentrent pas dans l'orifice d'échappement. Estimez l'emplacement du tuyau d'évacuation relié à l'extérieur, reportez-vous aux schémas d'installation.
- L'appareil atteint un rendement meilleur lorsque le tuyau d'évacuation est droit et court.
- Si les tuyaux d'évacuation sont longs ou présentent de nombreux coudes, la puissance maximale d'aspiration ne sera pas atteinte.
- Evitez donc de les utiliser. Utiliser la colle de tuyau pour étancher strictement la partie de connexion entre le tuyau d'évacuation et le trou dans le mur. Il faut assurer que le tuyau d'évacuation est connecté fermement avec le couvercle d'orifice, et étancher ceux-ci avec le ruban adhésif à feuille d'aluminium.
- Si le trou est trop petit, le rendement de l'appareil peut être réduit. Sur la base du principe de sécurité, il est recommandé d'élargir le trou à une taille du tuyau d'évacuation égale ou supérieure à 6 pouces(152.4mm) pouces.
- Les boulons utilisés dans ce produit sont des boulons de taille métrique, veuillez ne pas utiliser les boulons non qualifiés.

6.2 Dimensions du produit



Wall installation

Le mur doit offrir une portance suffisante pour supporter la hotte. Pour les murs creux, l'épaisseur de sa partie solide doit être supérieure à 13/16 pouces (30mm). Pour les murs en béton, l'installation peut être directement exploitée. La hotte doit être solidement fixée sur le mur.



Installation des tuyaux




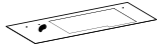

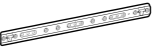


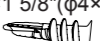



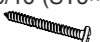
Risque de blessures :

- Avant toute opération d'installation, de nettoyage ou de réparation de l'appareil, assurez-vous que le courant est coupé pour éviter l'électrocution. Les arêtes de la hotte peuvent être très vives : veuillez toujours porter des gants de protection lorsque vous manipulez l'appareil et particulièrement lorsque vous l'installez, le nettoyez et le réparez, pour éviter les blessures causées par les bords métallique de l'appareil.
- Lorsque vous coupez ou percez un mur ou un plafond, faites attention à ne pas endommager le câblage électrique, les conduites d'eau ou de gaz et d'autres produits cachés.
- Le conduit de fumée doit toujours gagner l'extérieur.
- Pour réduire le risque d'incendie, l'air sortant doit être évacué à l'extérieur. Ne pas rejeter l'air sortant dans des espaces à l'intérieur des murs ou des plafonds, ni dans le grenier ou le garage.

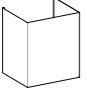
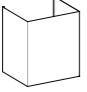







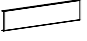

6.3 Liste des accessoires

Liste des produits dans l'emballage :

| Configuration standard | |
|---|---|
| Machine principale  | 1 |
| Couvercle pour l'orifice d'échappement  | 1 |

| | |
|---|---|
| Joint d'étanchéité  | 1 |
| Coupe d'huile  | 1 |
| Notice d'utilisation  | 1 |
| Papier sur les dimensions d'installation  | 1 |
| Carte de garantie  | 1 |
| Accroche pour l'appareil principal  | 1 |
| Boulon de crochet #8×1 7/16"(ST4,2×36mm)  | 4 |
| Tuyau d'expansion de carreau φ1/4"×1 5/16"(φ5,3×32mm)  | 4 |
| Tuyau d'expansion de plaque φ3/16"×1 5/8"(φ4×40mm)  | 4 |
| Vis pour le couvercle d'orifice d'échappement #8×3/4"(M4×18mm)  | 4 |
| Vis de fixation pour l'armoire du dessus #10×2 13/16"(M5×70mm)  | 4 (Une des vis est une vis de rechange) |
| Rondelle de vis de fixation de plaque d'armoire supérieure φ1 5/16"(φ32mm)  | 4 (dont 1 de secours) |
| Vis de bois #10×2 9/16"(ST5×65mm)  | 4 |

Les accessoires ci-dessous sont à acheter (auprès d'un point de vente agréé de Fotile)

| Accessoires pour l'installation du capot extérieur (à option) | |
|---|---|
| Capot extérieur du ventilateur  | 1 |
| Capot décoratif  | 1 |
| Accroche pour le capot décoratif  | 1 |
| Blocs de sécurité  | 1 |
| Vis de support #8×7/16"(M4×10mm)  | 4 |
| Boulon de crochet #8×1 7/16"(ST4,2×36mm)  | 3 |
| Tuyau d'expansion de carreau φ1/4"×1 5/16"(φ5,3×32mm)  | 3 |
| Tuyau d'expansion de plaque φ3/16"×1 5/8"(φ4×40mm)  | 3 |
| Vis #4×3/4"(ST2,9×19mm)  | 2 |
| Accessoires pour l'installation de la plaque décorative (à option) | |
| Plaque décorative 6"(152,4mm) ou 4"(101,6mm)  | 1 |
| Vis de fixation pour la plaque décorative #6×1 7/16"(ST3,5×35mm)  | 4 |

6.4 Liste des produits dans l'emballage :



6.5 Procédure d'installation :

Afin de garantir la sécurité et l'optimisation du fonctionnement de l'appareil, nous vous recommandons de l'installer à la hauteur suivante : entre 9/16"(750mm) (compris) et 32 1/2"(825mm) (compris). Cette hauteur d'installation convient uniquement à la cuisinière électrique. Si la hotte est installée au-dessus de la cuisinière à gaz, la distance min. entre la surface d'appui de l'appareil de cuisson sur la cuisinière et la partie la plus basse de la hotte doit être d'au moins 24" (610mm) (Etats-Unis) / 25 5/8" (650mm) (Canada). Si les instructions d'installation de la cuisinière à gaz demandent une distance d'installation plus importante, suivre ces instructions. La hauteur d'installation de la hotte est une valeur recommandée, la disposition de meuble et de hotte dans la figure est uniquement à titre indicatif, lorsque la hauteur d'installation du produit (c'est-à-dire la distance entre la surface d'appui de l'appareil de cuisson sur la cuisinière et la partie la plus

basse de la hotte) est inférieure à 24" (610mm) (Etats-Unis) / 25 5/8" (650mm) (Canada), toutes les pièces en dessous de 24"(610mm) (Etats-Unis) / 25 5/8" (650mm) (Canada) sont toutes les parties ininflammables de la hotte ou les pièces qui fonctionnent sous une tension sûre et très basse, et lorsque ces pièces sont déformées, cela n'affectera pas la protection contre le contact avec les pièces sous tension. Mieux vaut respecter, s'il y a lieu (Y compris, mais sans s'y limiter, les règlements et normes relatifs à l'architecture et à la lutte contre les incendies), les dispositions du département ou de la région locale relatives à l'installation des hottes aspirantes, mais la performance de l'appareil pourrait être considérablement abaissée.

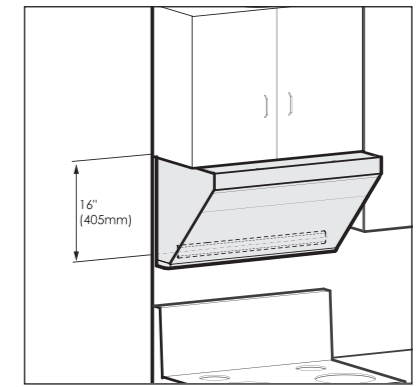
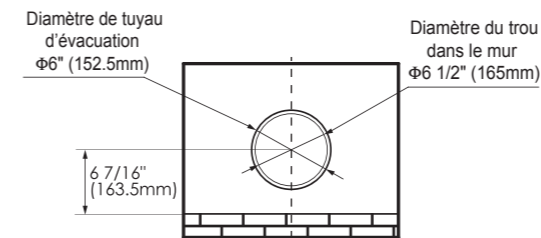
Il existe trois modes d'installation pour cet appareil, avec ou sans l'armoire en haut.

Attention :

1. Au moins une des vis de bois(#10×2 9/16"(ST5×65mm)) de l'accroche de l'appareil principal doit être fixée sur une poutre en bois.
2. S'il y a besoin de creuser une ouverture de la gaine à l'extérieur du mur d'appui. Nous vous conseillons une distance minimale de 8" (20cm) entre le plan du haut de la hotte aspirante et le point central de l'ouverture.

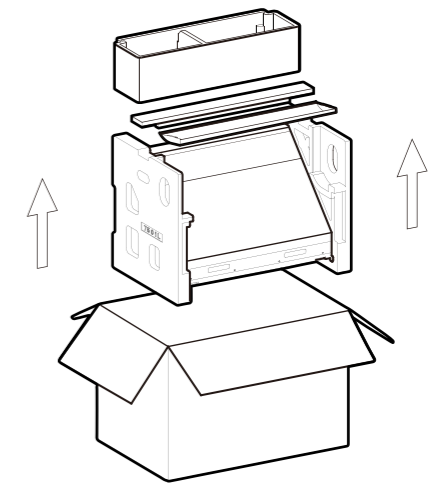
Avertissement : Une hauteur d'installation trop basse peut provoquer une surchauffe du panneau de verre, ce qui accroît les risques de rupture.

Avec armoire supérieure :

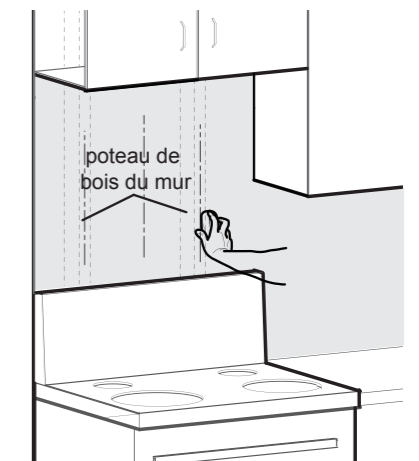


Avertissement: Veuillez toujours porter des gants de protection lorsque vous manipulez l'appareil.

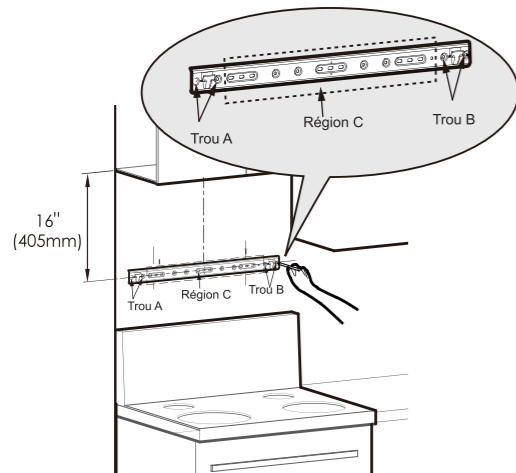
1. Ouvrez l'emballage, sortez l'appareil principal et vérifiez les accessoires avec la liste d'accessoires.



2. Identifiez le bois pour fixer l'accroche à la position d'installation.



3. Déterminez l'emplacement de l'accroche de fixation de l'appareil principal : identifiez le centre d'installation de la hotte, puis tracez une ligne médiane verticale. Déterminez l'emplacement de l'accroche avec comme référence le point le plus bas du fond de l'armoire du dessus. Marquez ensuite les emplacements de perçage. La distance entre le point le plus bas du fond de l'armoire et le centre du crochet est 16"(405mm).

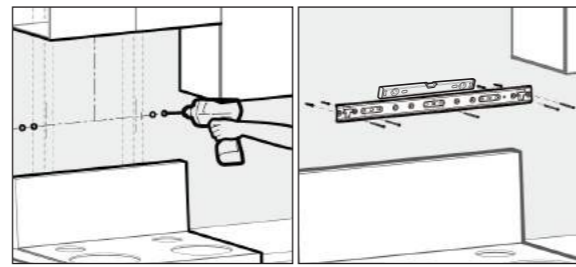


Attention: Il faut mettre les vis de fixation dans les trous A et B illustrés dans la figure. La partie de la position du trou de crochet dans la zone C, qui est correspondante au pieu, doit être équipée des vis de bois(#10×2 9/16"(ST5×65mm)) de fixation.

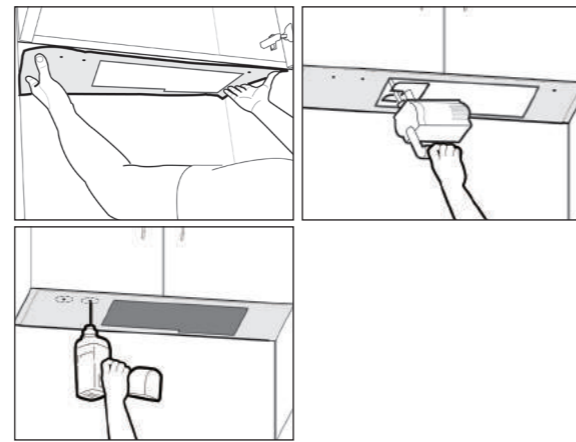
4. Crochet de fixation:

1) Au repérage de perçage, s'il s'agit de carreau (marbre) : percer de trou $\phi 3/8"$ ($\phi 8\text{mm}$) au repérage de perçage et poser le tuyau d'expansion de carreau($\phi 1/4" \times 1 5/16"$ ($\phi 5.3 \times 32\text{mm}$)), fixer le crochet avec la boulon de crochet(#8×1 7/16"(ST4.2×36mm)) de crochet et utiliser la règle pour assurer l'horizontalité du crochet.

2) Au repérage de perçage, s'il s'agit de la plaque : serrer le tuyau d'expansion de plaque($\phi 3/16" \times 1 5/8"$ ($\phi 4 \times 40\text{mm}$)) avec le tournevis dans le mur, puis fixer le crochet avec la boulon de crochet(#8×1 7/16"(ST4.2×36mm)) de crochet et utiliser la règle pour assurer l'horizontalité du crochet.



5. Collez le papier de l'ouverture sur le bas de la paroi supérieure avec la face indiquant la dimension de l'ouverture vers le bas. Puis creusez l'ouverture selon les instructions.

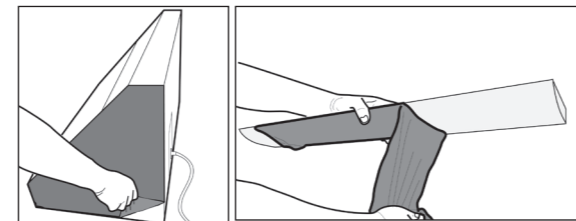


Attention: portez des lunettes de protection pour percer les trous.

Dans le cas où il y a du bois du côté de mur, le côté de mur du papier d'installation doit être coupé en fonction de l'épaisseur du bois.

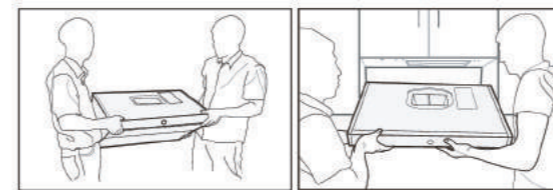
Si les crochets sont fixés sur les carreaux vernissés, le côté Rear Wall du papier de l'ouverture doit être collé sur le bas de la paroi en tenant le plan des carreaux vernissés comme repère.

6. Enlevez le film protecteur sur la surface des deux côtés de l'appareil et sur la coupe d'huile.



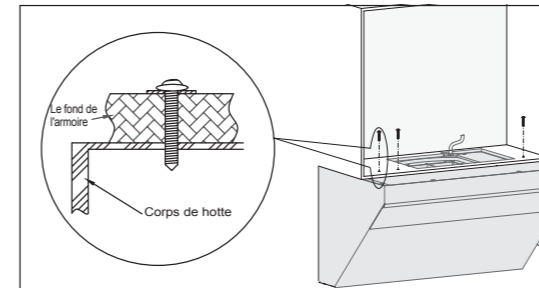
7. Soulevez l'appareil principal. Accrochez d'abord la machine sur l'accroche en l'inclinant, à l'aide du trou qui se trouve sur le bas de

l'arrière de l'appareil. Poussez ensuite la hotte contre le mur.

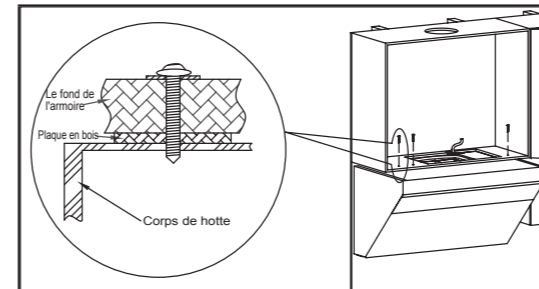


Attention : Pour plus de sécurité, il faut deux personnes pour installer la hotte.

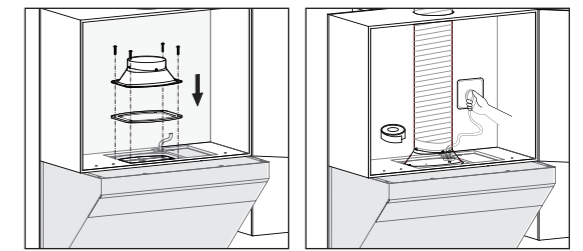
8. Utiliser 3 vis de fixation de plaque d'armoire supérieure #10×2 13/16"(M5×70mm) et la rondelle de vis de plaque d'armoire supérieure ($\phi 1 5/16"$ ($\phi 32\text{mm}$)) pour fixer l'unité principale, et fixer au moins deux vis avant de relâcher la main.



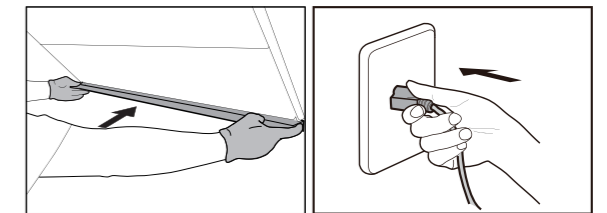
S'il existe une fente relativement grosse entre le fond de l'armoire et l'appareil principal, veuillez ajouter un morceau de bois près des 3 vis de dimension #10×2 13/16"(M5×70mm) selon la taille de la fente avant l'installation de l'appareil afin d'éviter la déformation de l'appareil durant la fixation des vis.



9. Placer le joint d'étanchéité (l'encoche vers le bas) à la sortie d'air de la machine et fixer le boîtier de sortie avec 4 vis-boîtier de sortie de # 8 x 3/4" (M4 × 18 mm). Puis fixez le tuyau sur le couvercle d'orifice et scellez avec du ruban d'aluminium.



10. Make sure the hood is leveled. Install the oil cup, and plug in the appliance for a test run.

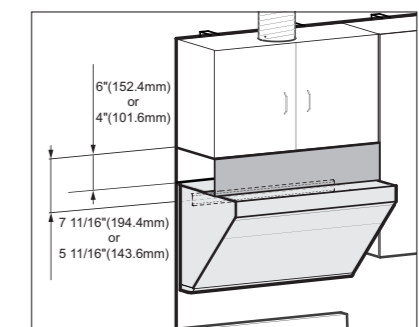
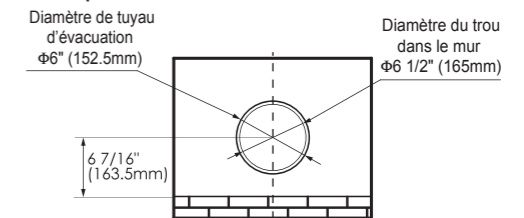


Attention : Au moins une des vis doit être fixée sur une poutre en bois.

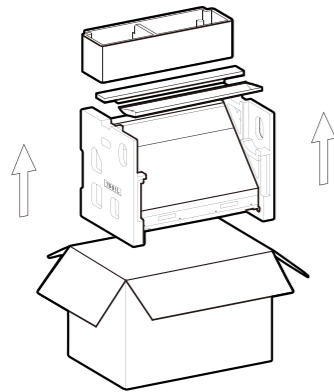
Attention: Veuillez faire fonctionner la machine et vérifiez s'il y a une fuite d'air dans le tuyau de fumée après avoir scellé le tuyau avec du ruban adhésif en aluminium. Le tuyau de fumée doit être redressé autant que possible.

Avec armoire supérieure + capot décoratif

Attention : Veuillez vérifier d'abord la hauteur de l'armoire supérieure. Si celle-ci dépasse 32 1/2 pouces (825mm), les plaques décoratives de 6 pouces(152.4mm) ou 4 pouces(101.6mm) peuvent être utilisées.



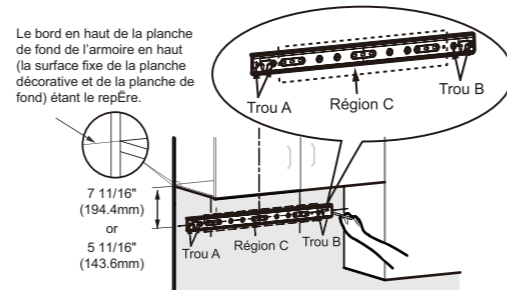
1. Ouvrez l'emballage, sortez l'appareil principal et vérifiez les accessoires avec la liste d'accessoires.



2. Identifiez le bois pour fixer l'accroche à la position d'installation.



3. Déterminez l'emplacement de l'accroche de fixation de l'appareil principal : identifiez le centre d'installation de la hotte, puis tracez une ligne médiane verticale. Déterminez l'emplacement de l'accroche avec comme référence la plaque de l'armoire du dessus. Marquez ensuite les emplacements de perçage. Le bord en haut de la planche de fond de l'armoire en haut (la surface fixe de la planche décorative et de la planche de fond) étant le repère, la distance au centre du crochet est : 6 pouces la planche décorative de 7 11/16" (194.4mm) et 4 pouces la planche décorative de 5 11/16" (143.6mm).

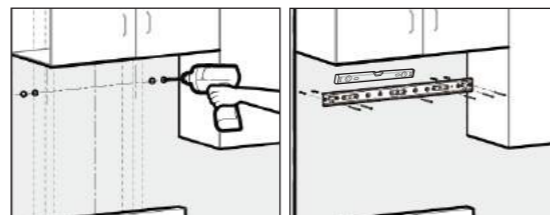


Attention: Au moins une des vis de bois (#10×2 9/16" (ST5×65mm)) du crochet de l'appareil principal doit être fixée sur la poutre en bois. Il faut mettre les vis de fixation dans les trous A et B illustrés dans la figure. La partie de la position du trou de crochet dans la zone C, qui est correspondante au pieu, doit être équipée des vis de bois (#10×2 9/16" (ST5×65mm)) de fixation.

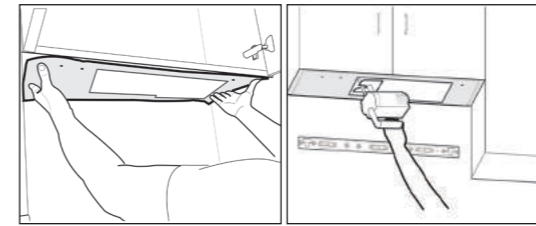
4. Crochet de fixation:

1) Au repérage de perçage, s'il s'agit de carreau (marbre) : percer de trou $\phi 3/8"$ ($\phi 8\text{mm}$) au repérage de perçage et poser le tuyau d'expansion de carreau ($\phi 1/4" \times 1 5/16"$) ($\phi 5.3 \times 32\text{mm}$), fixer le crochet avec la boulon de crochet (#8×1 7/16" (ST4.2×36mm)) de crochet et utiliser la règle pour assurer l'horizontalité du crochet.

2) Au repérage de perçage, s'il s'agit de la plaque : serrer la tuyau d'expansion de plaque ($\phi 3/16" \times 1 5/8"$) ($\phi 4 \times 40\text{mm}$) avec le tournevis dans le mur, puis fixer le crochet avec la boulon de crochet (#8×1 7/16" (ST4.2×36mm)) de crochet et utiliser la règle pour assurer l'horizontalité du crochet.



5. Collez le papier de l'ouverture sur le bas de la paroi supérieure avec la face indiquant la dimension de l'ouverture vers le bas. Puis creusez l'ouverture selon les instructions.

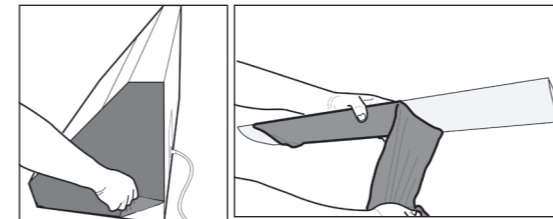


Attention: portez des lunettes de protection pour percer les trous.

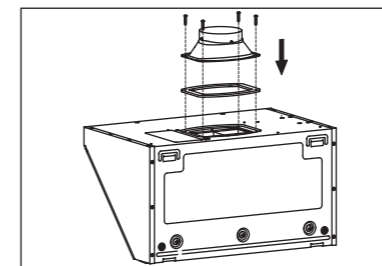
Dans le cas où il y a du bois du côté de mur, le côté de mur du papier d'installation doit être coupé en fonction de l'épaisseur du bois.

Si les crochets sont fixés sur les carreaux vernissés, le côté Rear Wall du papier de l'ouverture doit être collé sur le bas de la paroi en tenant le plan des carreaux vernissés comme repère.

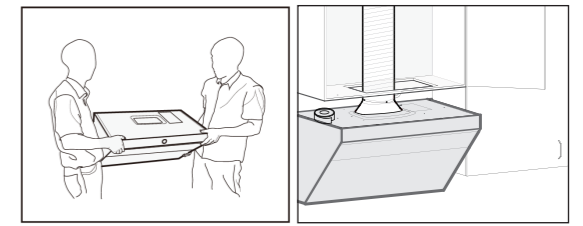
6. Enlevez le film protecteur sur la surface des deux côtés de l'appareil et sur la coupe d'huile.



7. Placer le joint d'étanchéité (l'encoche vers le bas) à la sortie d'air de la machine et fixer le boîtier de sortie avec 4 vis-boîtier de sortie de # 8 x 3/4" (M4 × 18 mm).

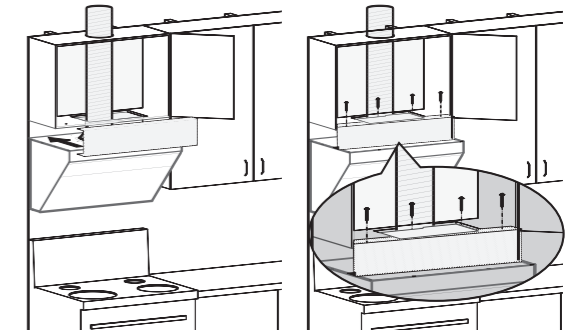


8. Soulever l'appareil principal et mettre le crochet dans le trou correspondant qui se trouve sur le haut de l'arrière de l'appareil. Puis fixez le tuyau sur le couvercle d'orifice et scellez avec du ruban d'aluminium.

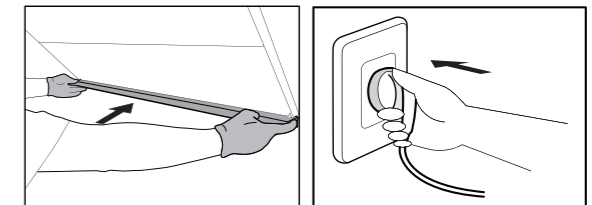


Attention : Pour plus de sécurité, il faut deux personnes pour installer la hotte.

9. Fixez la planche décorative avec 4 vis à bois #6×1 7/16" (ST3.5×35mm). Fixez la planche décorative sur la paroi supérieure. (Les vis à bois sont dans le paquet d'accessoires qui se trouve lui-même dans la boîte d'emballage de la planche décorative)



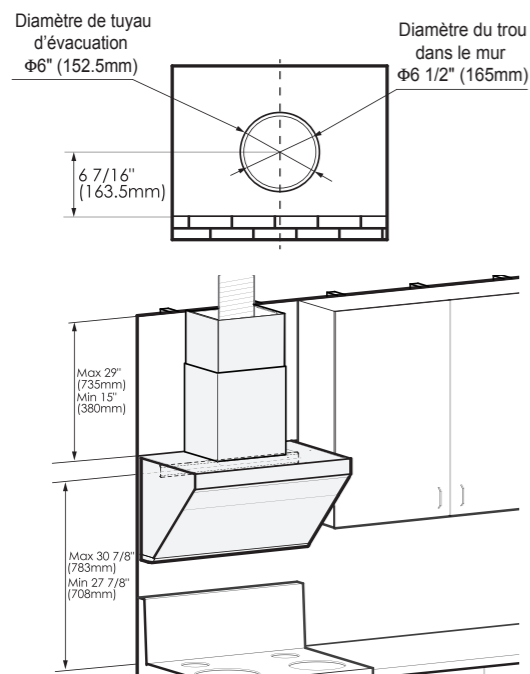
10. La hotte doit avoir une parfaite horizontalité. Installez la coupe d'huile. Branchez la hotte pour vérifier son fonctionnement.



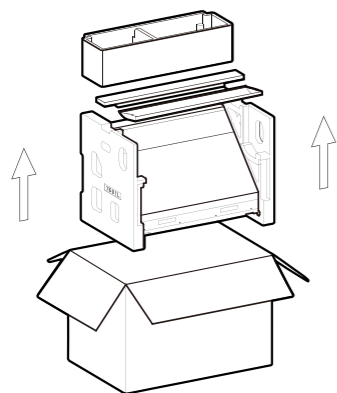
Attention : Au moins une des vis doit être fixée sur une poutre en bois.

Attention: Veuillez faire fonctionner la machine et vérifiez s'il y a une fuite d'air dans le tuyau de fumée après avoir scellé le tuyau avec du ruban adhésif en aluminium. Le tuyau de fumée doit être redressé autant que possible.

Sans armoire supérieure + capot décoratif



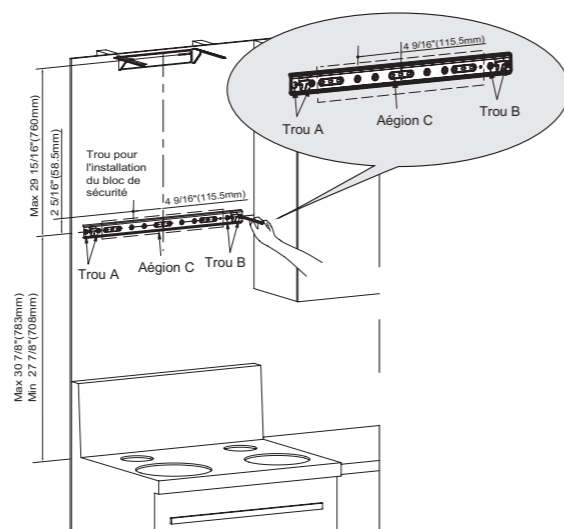
1. Ouvrez l'emballage, sortez l'appareil principal et vérifiez les accessoires avec la liste d'accessoires.



2. Identifiez le bois pour fixer l'accroche à la position d'installation.



3. Identifiez le centre d'installation de la hotte en se référant au centre de la table de cuisson.



Attention: Au moins une des vis de bois(#10×2 9/16"(ST5×65mm)) du crochet de l'appareil principal doit être fixée sur la poutre en bois. Il faut mettre les vis de fixation dans les trous A et B illustrés dans la figure. La partie de la position du trou de crochet dans la zone C, qui est correspondante au pieu, doit être équipée des vis de bois(#10×2 9/16"(ST5×65mm)) de fixation.

Déterminez ensuite l'emplacement de l'accroche en se référant au niveau de la surface de table de cuisson et marquez les emplacements de perçage. La dimension entre la surface de table de cuisson et le centre de l'accroche est de 27 7/8 pouces (708mm) - 30 7/8 pouces (783mm).

Les bouchons de sécurité : décalez d'abord 4 9/16 pouces (115,5mm), vers droite de la partie supérieure de l'accroche, ensuite 2 5/16 pouces (58,5mm) vers le haut.

Pour l'accroche pour le capot extérieur décoratif, Les dimensions générales sont comme suit : 29 15/16 pouces (760mm) au dessus du centre de l'accroche de l'appareil principal. Si le plafond se trouve à l'intérieur de cette distance, alignez l'accroche avec le plafond. Si le plafond se trouve au dessus de cette distance, il faut acheter séparément un capot décoratif allongé.

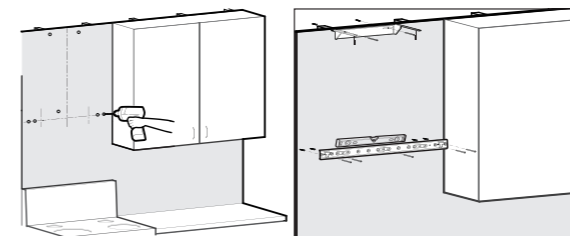
Les hauteurs du capot décoratif allongé sont respectivement : 27 9/16 pouces (700mm) et 35 7/16 (900mm).

Poser le tuyau d'expansion sur le repérage de perçage:

1) Au repérage de perçage, s'il s'agit de carreau (marbre) : percer de trou $\phi 3/8"$ ($\phi 8\text{mm}$) au repérage de perçage et poser le tuyau d'expansion de carreau($\phi 1/4" \times 1 5/16"$ ($\phi 5.3 \times 32\text{mm}$)).

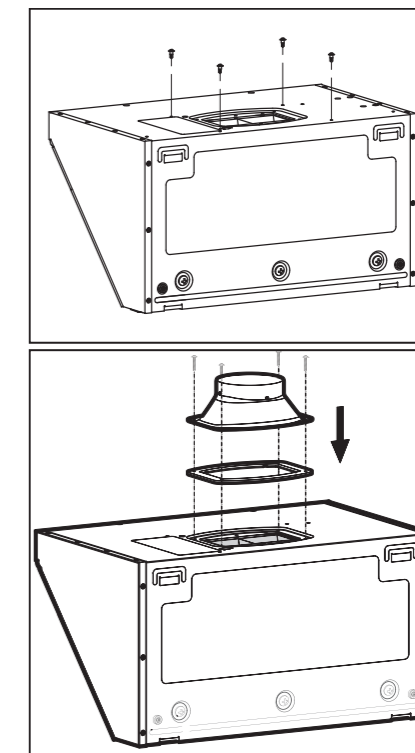
2) Au repérage de perçage, s'il s'agit de la plaque : serrer la tuyau d'expansion de plaque($\phi 3/16" \times 1 5/8"$ ($\phi 4 \times 40\text{mm}$)) avec le tournevis dans le mur.

4. Fixez l'accroche pour machine principale et le capot décoratif avec les vis correspondantes, vissez les vis et vérifiez le niveau de l'accroche.

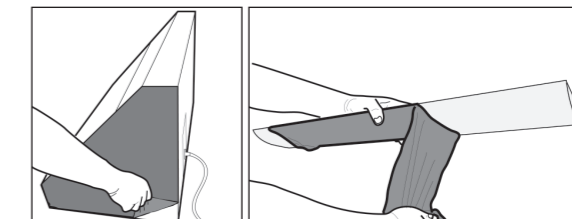


Attention : Au moins une des vis de bois(#10×2 9/16"(ST5×65mm)) de l'accroche de l'appareil principal doit être fixée sur une poutre en bois.

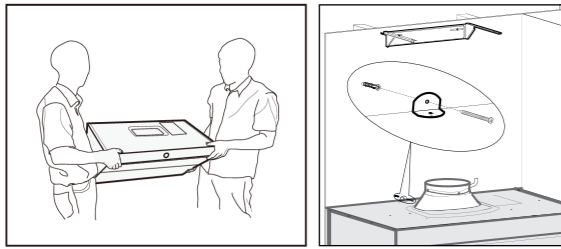
5. Placer le joint d'étanchéité (l'encoche vers le bas) à la sortie d'air de la machine et fixer le boîtier de sortie avec 4 vis-boîtier de sortie de # 8 x 3/4" (M4 × 18 mm). Fixez les quatre vis du capot extérieur #8×7/16"(M4×10mm) dans les positions correspondantes (Les vis d'enveloppe trouvent dans le paquet d'accessoires qui se trouve lui-même dans la boîte d'emballage des pièces composantes de l'enveloppe décorative.).



6. Enlevez le film protecteur sur la surface des deux côtés de l'appareil et sur la coupe d'huile.

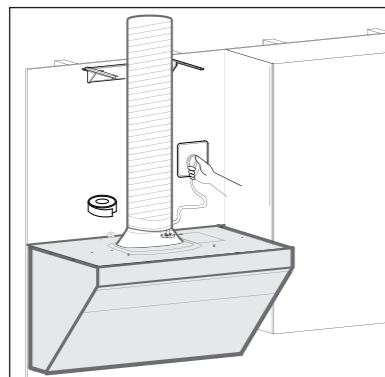


7. Soulevez l'appareil principal. Accrochez d'abord la machine sur l'accroche grâce au trou qui se trouve sur le haut de l'arrière de l'appareil. Stabilisez la hotte et vérifiez son horizontalité à l'aide d'un niveau à bulle. Fixez ensuite les bouchons de sécurité au-dessus de la hotte(Le cran de sûreté se trouve dans le paquet d'accessoires qui se trouve lui-même dans la boîte d'emballage des pièces composantes de l'enveloppe décorative.).



Attention: Pour plus de sécurité, il faut deux personnes pour installer la hotte. Installez le cran de sûreté selon les instructions. La fonction principale du cran de sûreté est d'éviter la tombée de la hotte aspirante à la suite d'un décrochage dû à une élévation accidentelle de l'appareil.

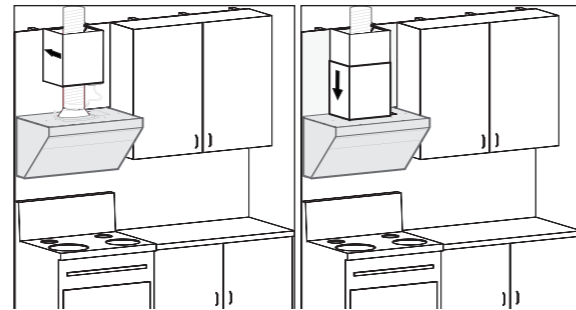
8. Fixez le tuyau sur le couvercle d'orifice et scellez avec du ruban d'aluminium. L'appareil doit être fixé correctement en respectant une parfaite horizontalité et branchez la hotte.



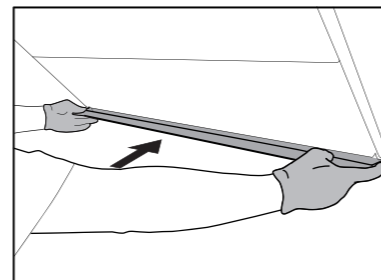
Attention: Veuillez faire fonctionner la machine et vérifiez s'il y a une fuite d'air dans le tuyau de fumée après avoir scellé le tuyau avec du ruban adhésif en aluminium. Le tuyau de fumée doit être redressé autant que possible.

9. Enlevez d'abord le film de protection de l'enveloppe décorative et celui de l'enveloppe du ventilateur. Mettez l'enveloppe décorative dans l'enveloppe du ventilateur. Puis prenez en même temps l'enveloppe décorative et l'enveloppe du ventilateur. Accrochez l'enveloppe décorative sur les crochets correspondants, puis descendez lentement l'enveloppe du ventilateur. Poussez vers l'intérieur l'enveloppe décorative et l'enveloppe du ventilateur jusqu'à ce que l'enveloppe du

ventilateur soit attachée aux vis correspondantes.



10. Installez la coupe d'huile.



Avertissement: Veuillez porter des gants de protection.

6.6 Test après l'installation

1. Appuyez sur la touche Marche/Arrêt, puis sur la touche Eclairage. Vérifiez le fonctionnement de l'éclairage et l'ouverture automatique de l'écran de fumée.

2. Appuyez sur les touches de ventilateur pour vérifier le fonctionnement du moteur. En cas des anomalies suivantes, coupez immédiatement l'alimentation et arrêtez le fonctionnement. Vérifiez ensuite si le problème vient de l'installation (Contactez rapidement notre centre de service après-vente local si les dysfonctionnements sont confirmés) :

- (1) Fortes vibrations de l'appareil.
- (2) Les turbines ne tournent pas.
- (3) Du bruit de frottement apparent se produit lors de la rotation des turbines.
- (4) Du bruit anormal du moteur se produit.

3. Appuyez sur la touche Marche/Arrêt, le ventilateur s'arrête et l'écran de fumée se ferme automatiquement.

Vue explosée

