

ZLINE



SHOWER SYSTEM

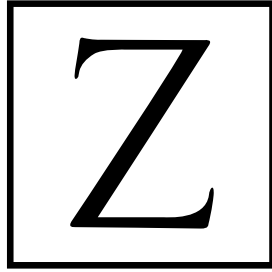
---

Installation Guide  
and Users Manual



*This product can expose you to chemicals including nickel, which is known to the State of California to cause cancer, and birth defects or other reproductive harm. For more information go to [www.P65Warnings.ca.gov](http://www.P65Warnings.ca.gov).*

*Even though the materials used in all ZLINE Kitchen and Bath products conform to all federal government regulations and all national product standards, California's Prop 65 requires all businesses to provide a "clear and reasonable warning" if one or more listed chemicals may be present in the product, even if that chemical is present in trace quantities*



ZLINE

Sourced with materials from across the world, ZLINE's shower systems are easy to operate, reduce water waste, and complement bathroom décor. This exclusive collection blends modern technology with traditional appeal — offering a wide array of finishes.

ZLINE showers offer an aerated water flow for resource conservation, helping both the environment and your wallet. The housing material composition consists largely of brass, which is extremely durable and leak proof. Each shower system produced is examined thoroughly by hand to ensure quality and consistency.

# TABLE OF CONTENTS

● SAFETY INSTRUCTIONS	1
Prior to Installation	
Safety Tips	
Care and Maintenance	
● SHOWER SYSTEM BODY	2
Parts	
Tools	
Assembly	
● SHOWER SYSTEM FAUCET	22
Parts	
Tools	
Assembly	
● TROUBLESHOOTING	27



# SAFETY INSTRUCTIONS

## Prior to Installation

- Make sure that the cold and hot water lines are turned off.
- Wrap all threaded connections with Teflon tape. Always wrap in a clockwise direction.
- Cover your drain to avoid losing parts.
- Do not disassemble the main system body, as it has been installed and commissioned correctly and precisely before delivery to the factory.
- To keep the system from jamming, flush the water pipe before installation.

Operating conditions: Working pressure at 0.05-1.0 MPa (including cold and hot water pressure) with applicable water temperature: 39.2°F - 194°F.

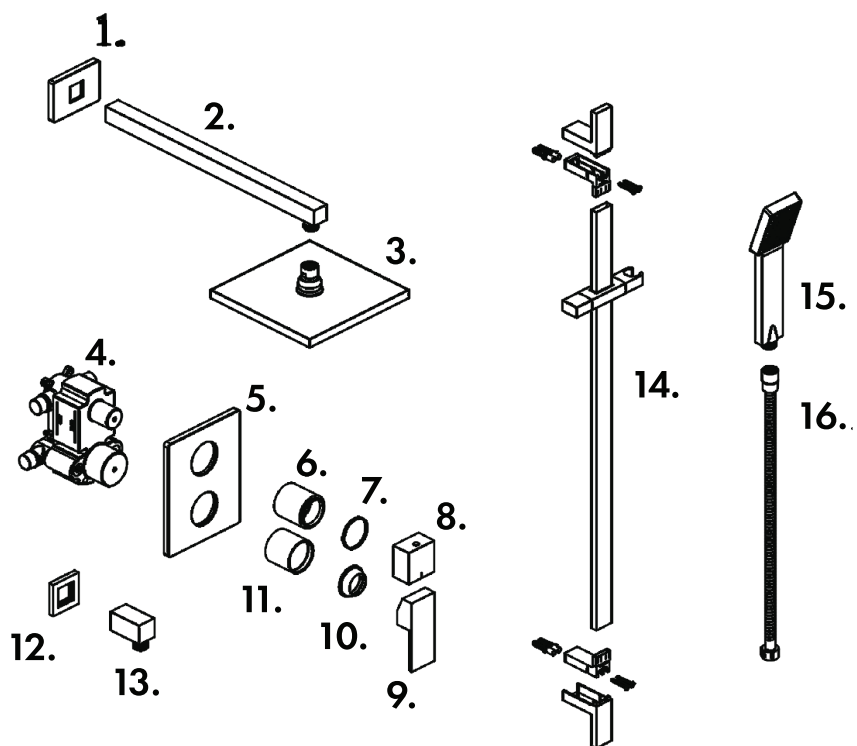
## Care and Maintenance

To keep the product clean and shining, follow the steps below:

1. Rinse clean with water and dry with a soft cloth.
2. Do not clean with soaps, acid, polish, abrasives, or harsh cleaners.
3. Do not use cloth with a coarse surface.
4. Unscrew the aerator and clean when necessary.

- If soldering the water connections when installing the system, remove the O-rings, cartridges, and washers before applying any heat.
- Protect your eyes when cutting or soldering.
- Do not over tighten screws/nuts. Finger tighten, then use a wrench/screwdriver to tighten the fixing screw/nut until snug.

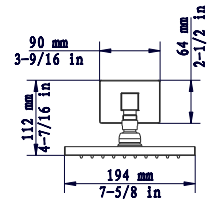
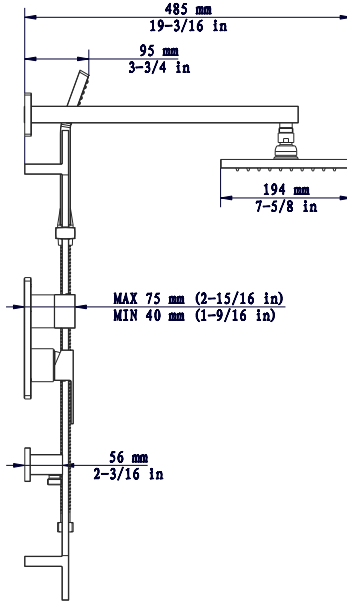
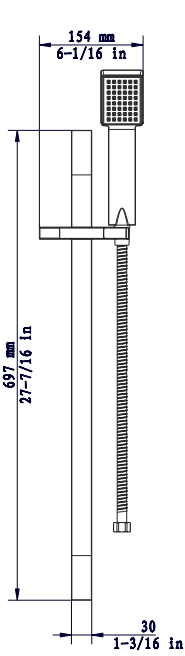
## SHOWER SYSTEM



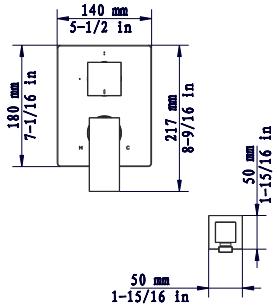
- 1. Flange Cover
- 2. Shower Arm
- 3. Top Spray Shower
- 4. Wall Valve Body
- 5. Faceplate
- 6. Sleeve
- 7. Washer
- 8. Steering Handle

- 9. Switch Handle
- 10. Cap
- 11. Sleeve
- 12. Flange Cover
- 13. Angle Valve
- 14. Shower Rail
- 15. Handle Shower
- 16. Hose

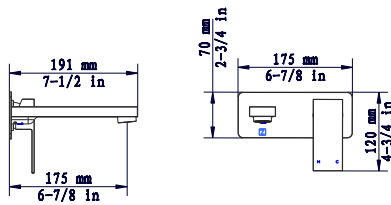
# SHOWER SYSTEM



Top spray shower



Switch handle



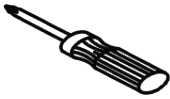
Shower faucet

# SHOWER SYSTEM BODY

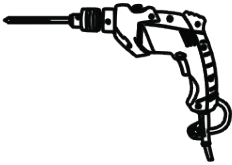
Tools:



Wrench



Screwdriver



Drill

Time required:



+/- 120 minutes

Legend:



Hot Water



Cold Water



Torch



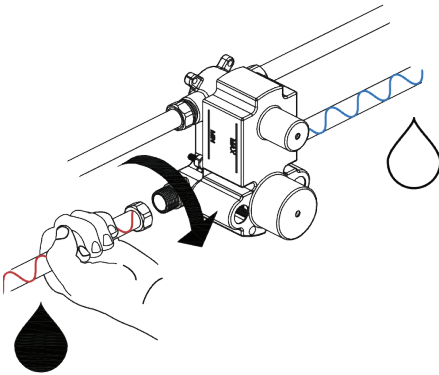
Warning



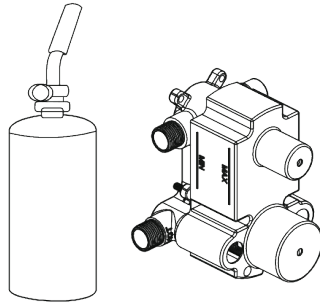
Plumber's Tape

# SHOWER SYSTEM BODY

**1a**



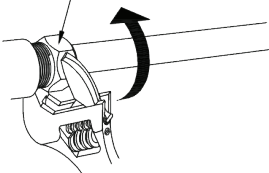
**1c**



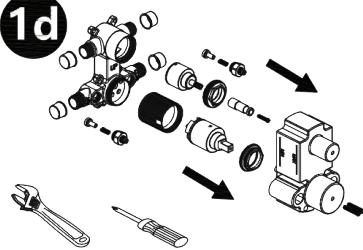
**1b**



1/2-14NPT



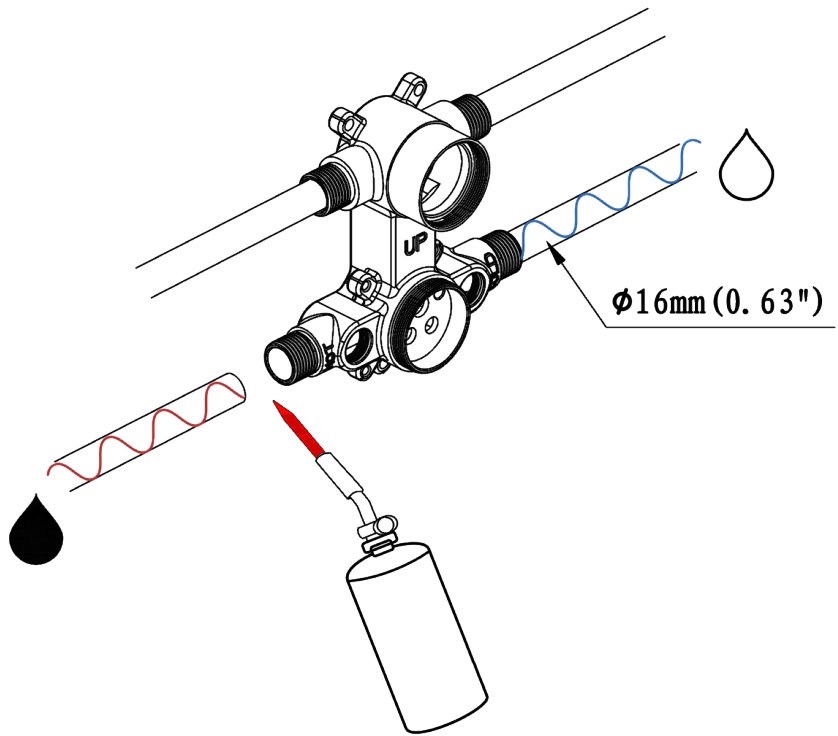
**1d**



Slide the sleeves onto the pipes and then insert pipes into the wall valve. Tighten the ring around the pipes with the wrench.

## SHOWER SYSTEM BODY

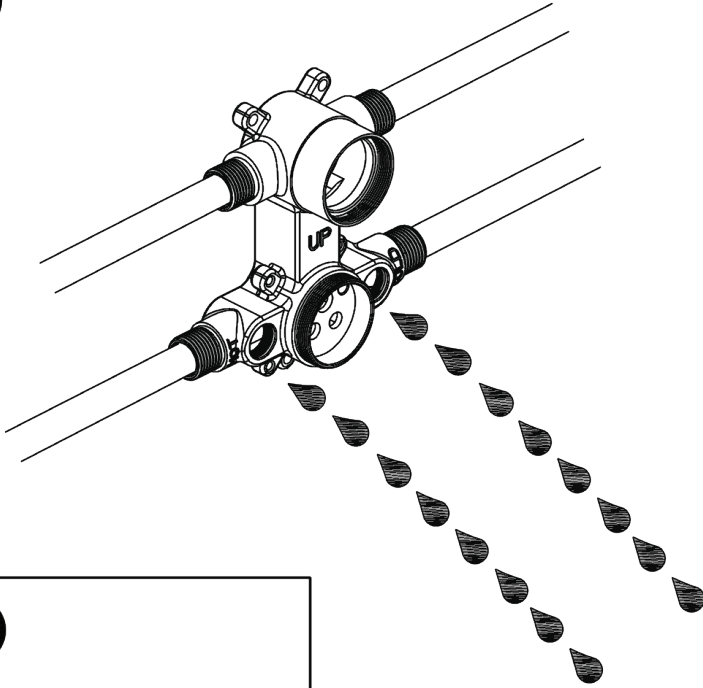
2



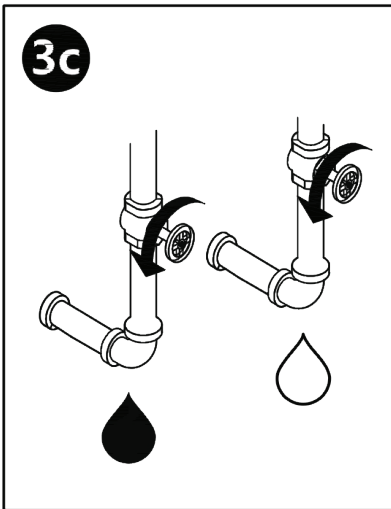
Weld the copper together or use plumber's tape to prevent leaks.

## SHOWER SYSTEM BODY

3



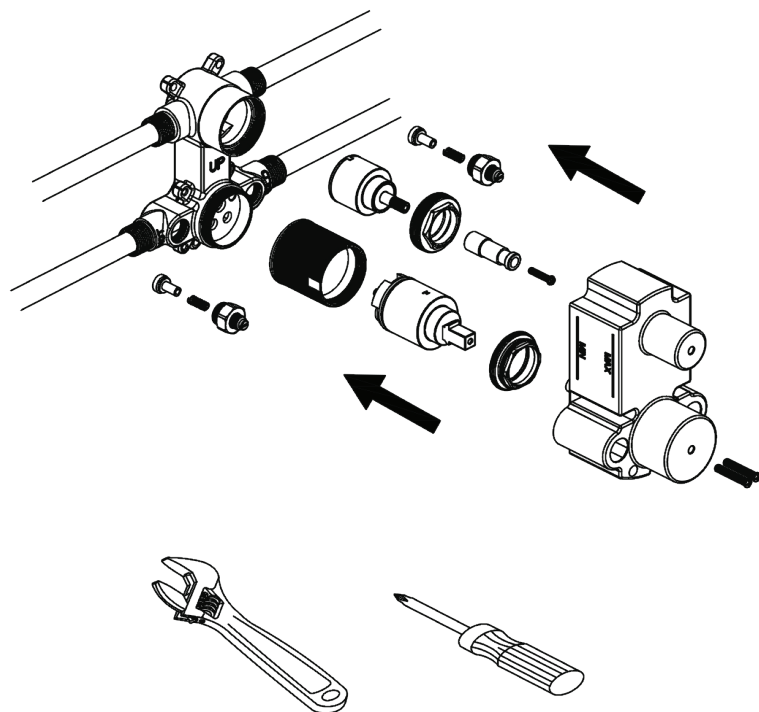
3c



After welding, purge the water supply system for 30 seconds.

## SHOWER SYSTEM BODY

4

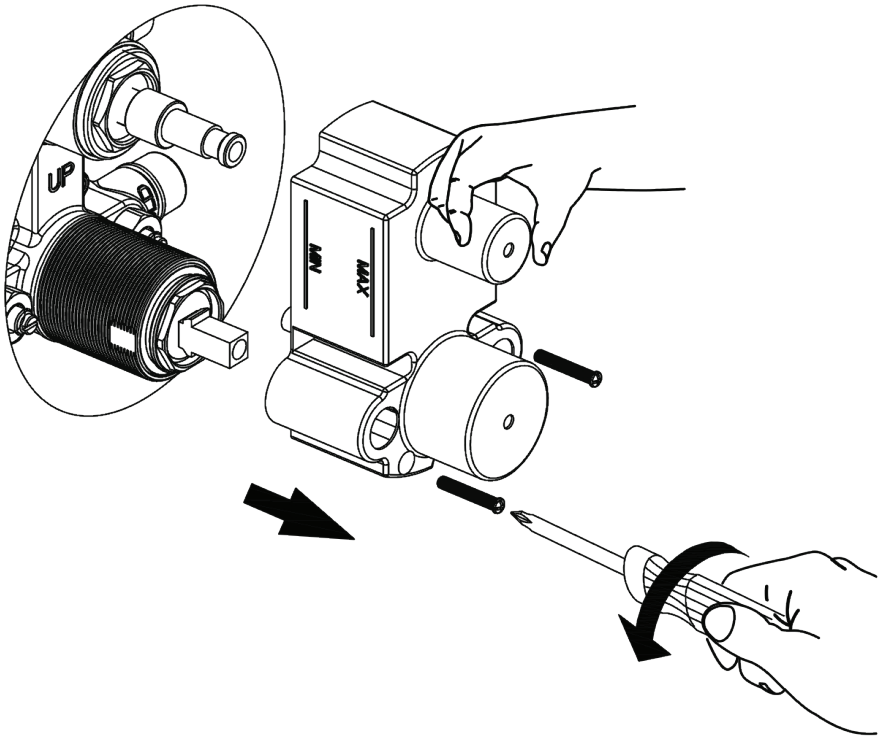


Reinstall the valve components into their original positions.



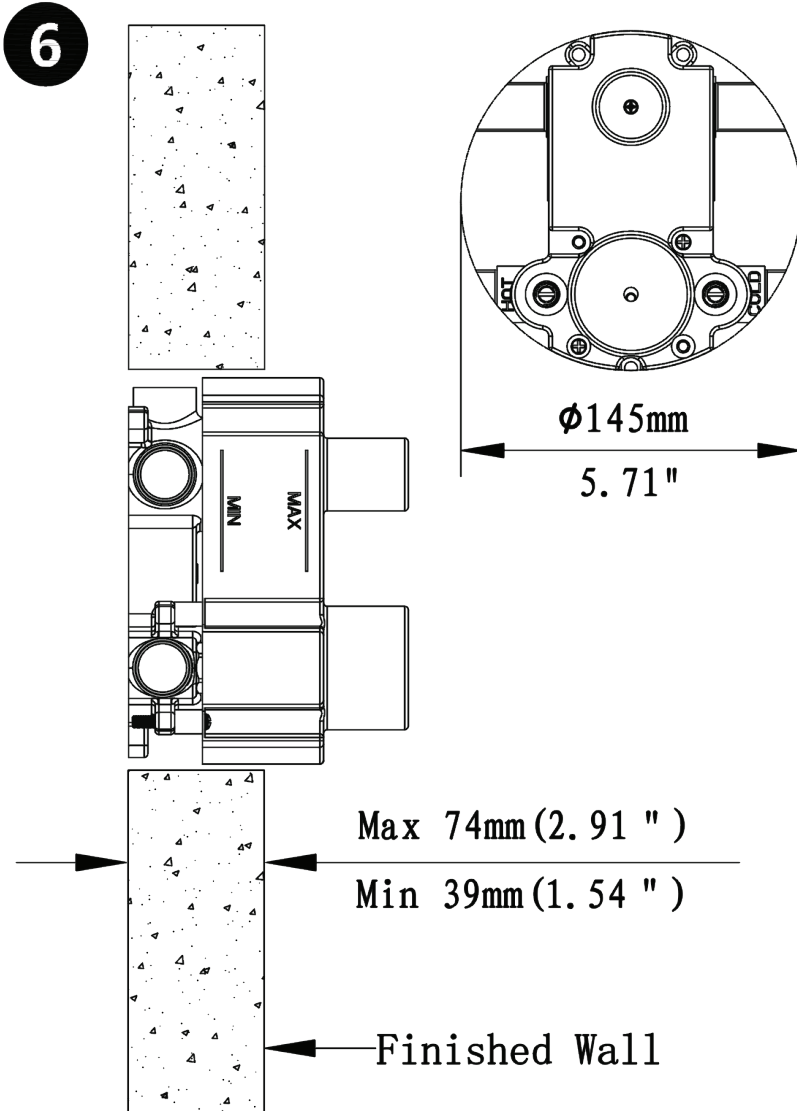
## SHOWER SYSTEM BODY

5



Screw the wall valve body into the system with a screwdriver. Do not overtighten.

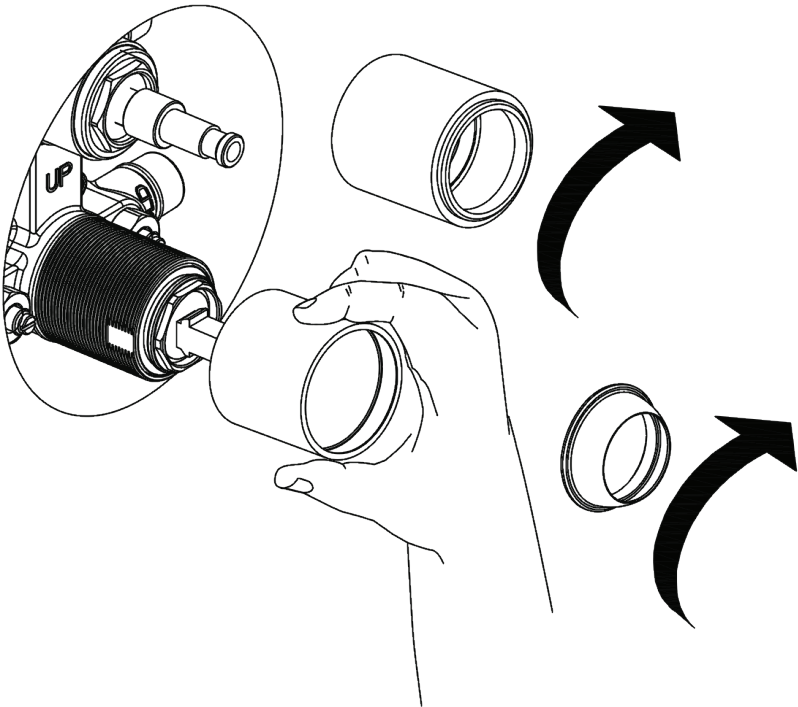
# SHOWER SYSTEM BODY



Place the components in the appropriate location.

## SHOWER SYSTEM BODY

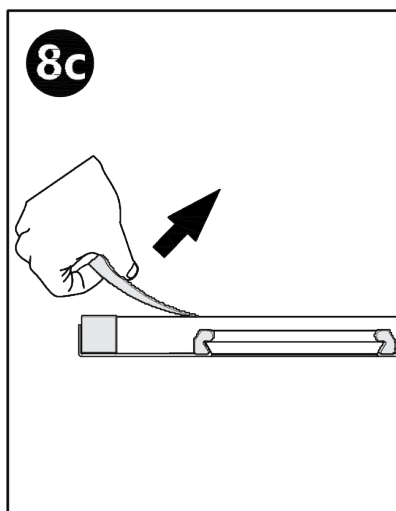
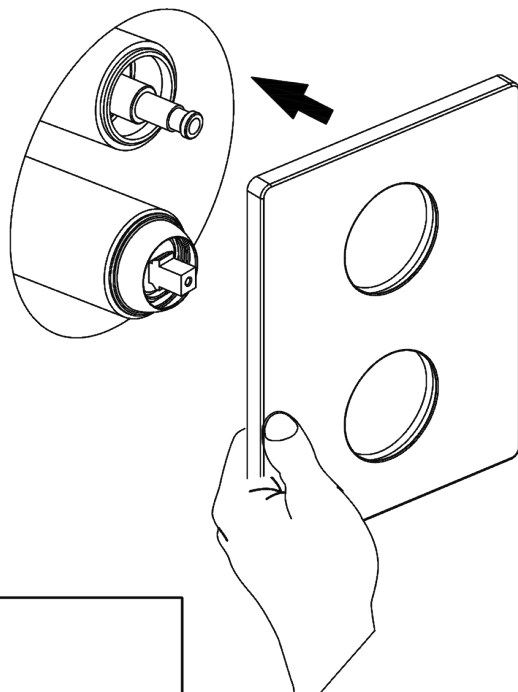
7



Screw the sleeve and washer into the wall valve body.

## SHOWER SYSTEM BODY

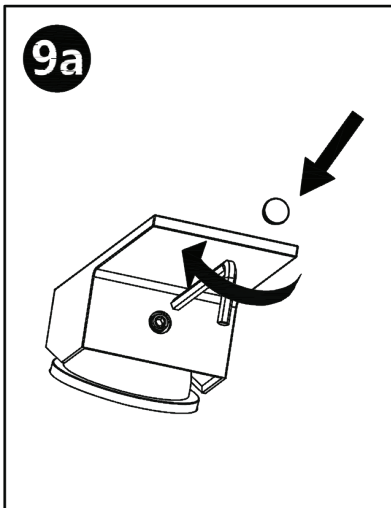
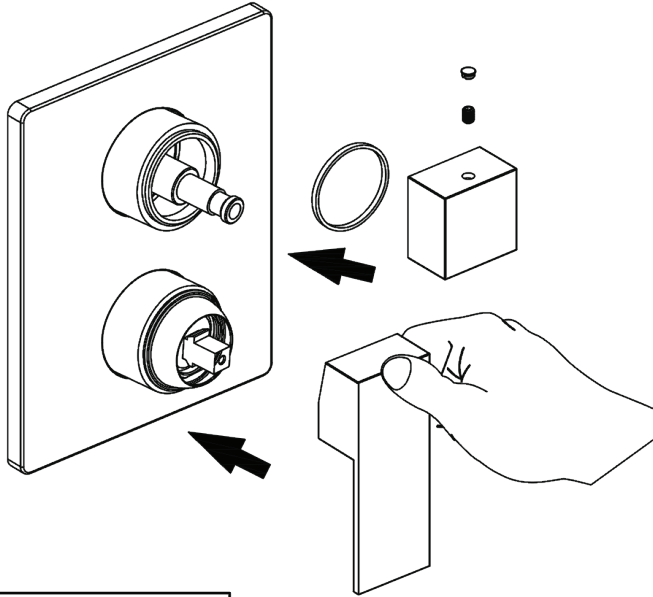
8



Attach the face plate and remove the plastic.

# SHOWER SYSTEM BODY

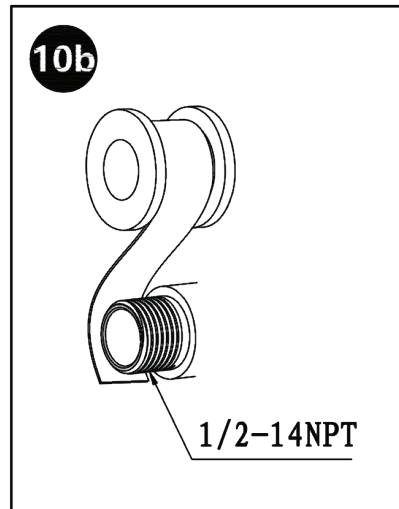
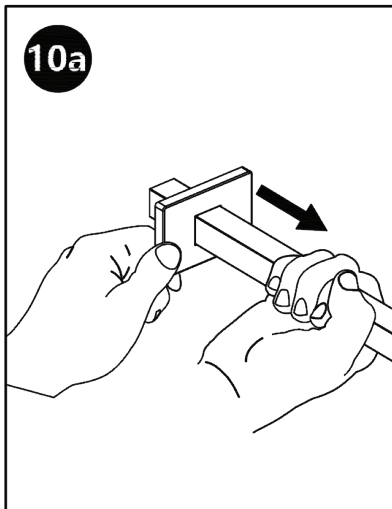
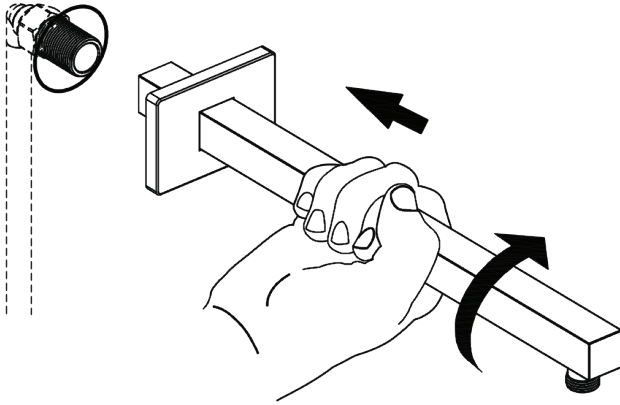
9



Attach the steering handle.

## SHOWER SYSTEM BODY

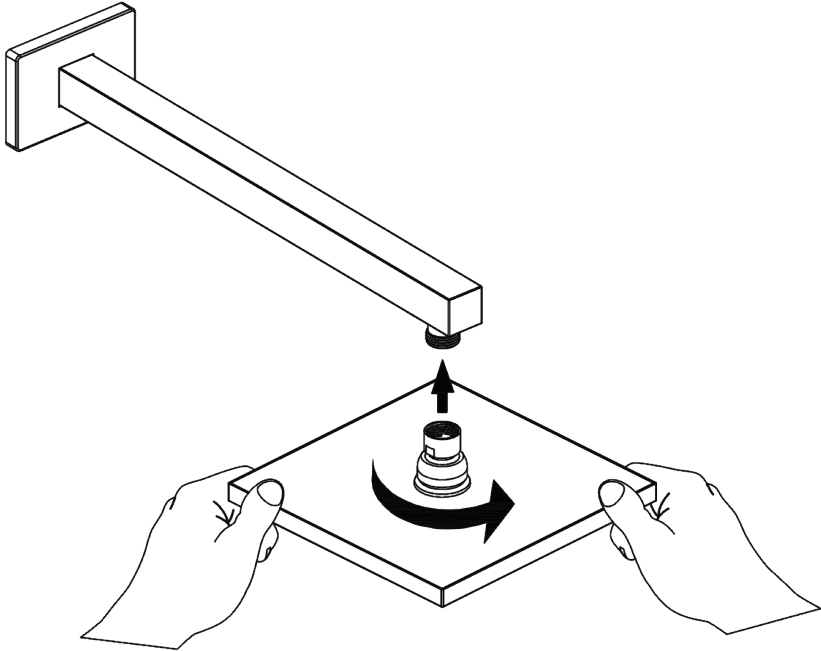
10



Connect the flange cover to the spout in the wall. Secure with plumber's tape to prevent leaks.

## SHOWER SYSTEM BODY

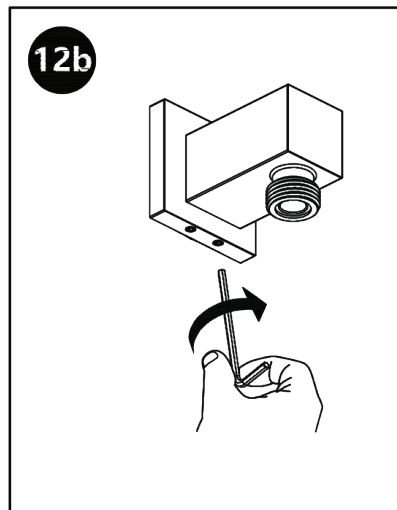
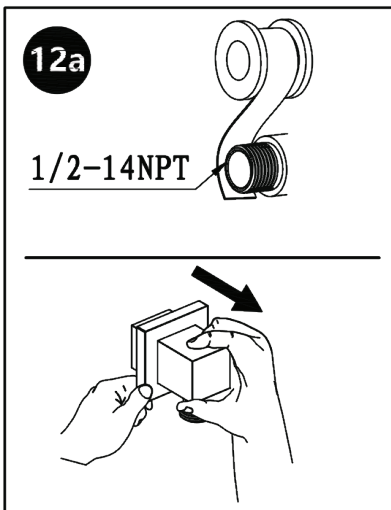
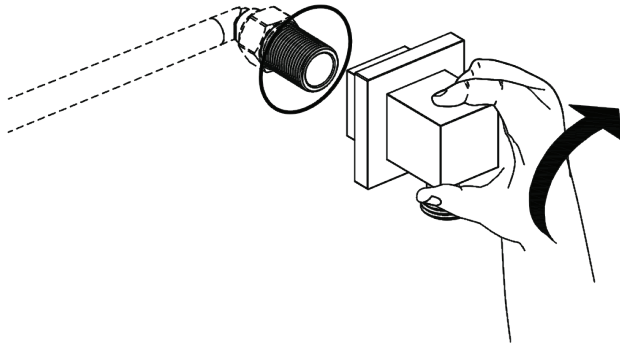
11



Twist the top spray shower into the shower arm.

## SHOWER SYSTEM BODY

12

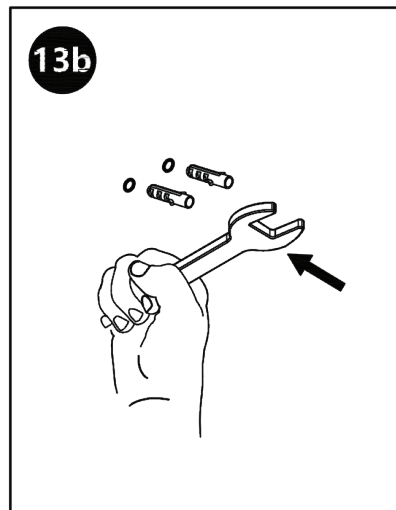
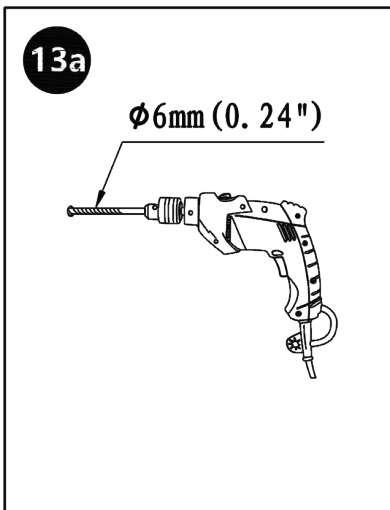
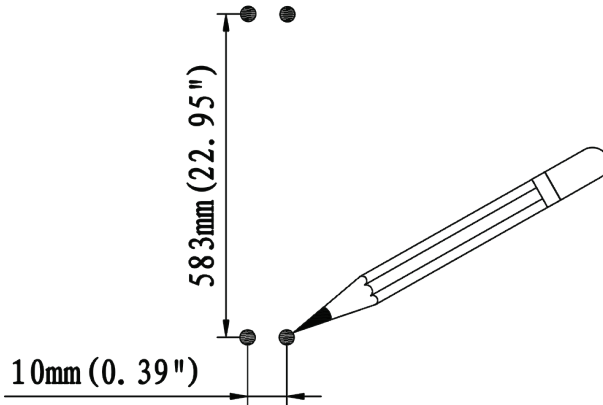


Connect the angle valve to the flange cover and screw together. Secure with plumber's tape to prevent leaks.



## SHOWER SYSTEM BODY

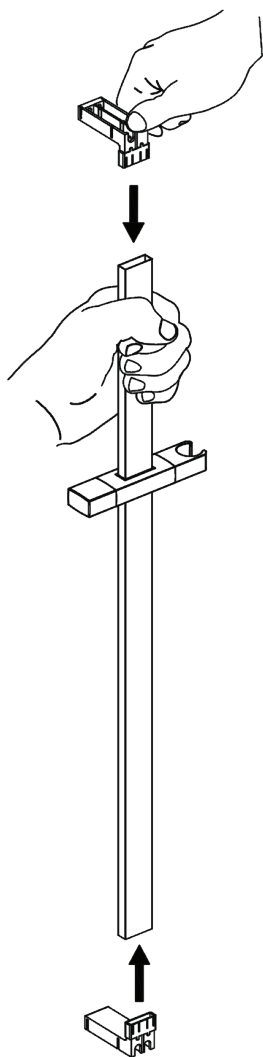
13



Use a pencil to mark the mounting holes on the wall. Use a wrench to put the screws in.

## SHOWER SYSTEM BODY

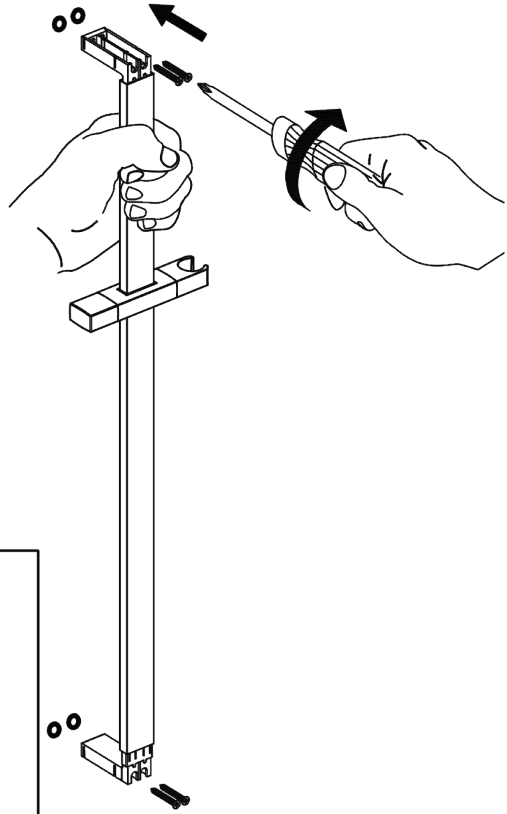
14



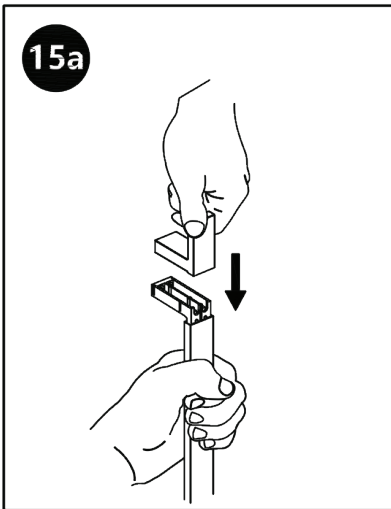
Connect the components of the shower rail.

## SHOWER SYSTEM BODY

15



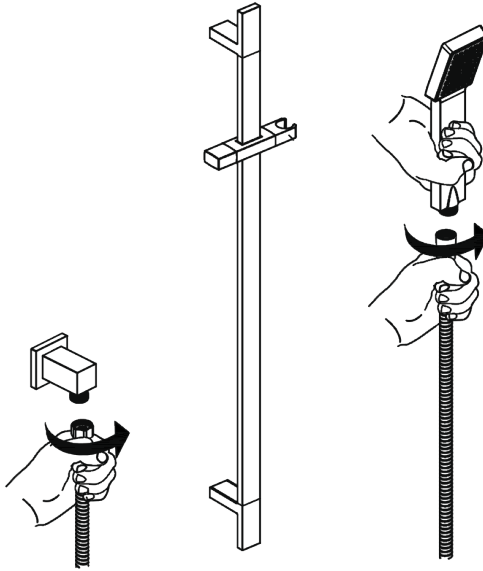
15a



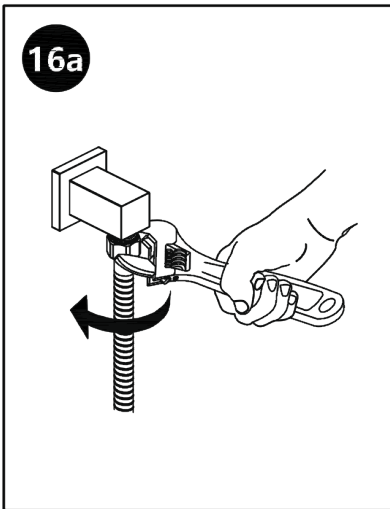
Screw the shower rail into the wall.

## SHOWER SYSTEM BODY

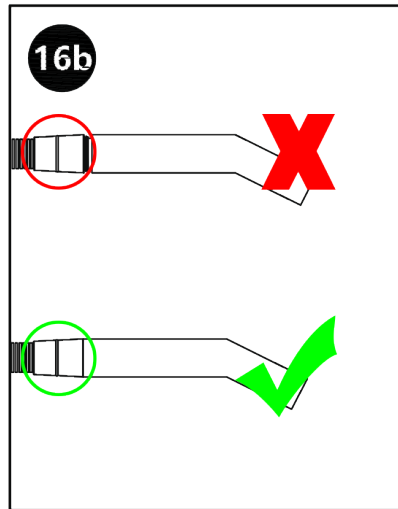
16



16a



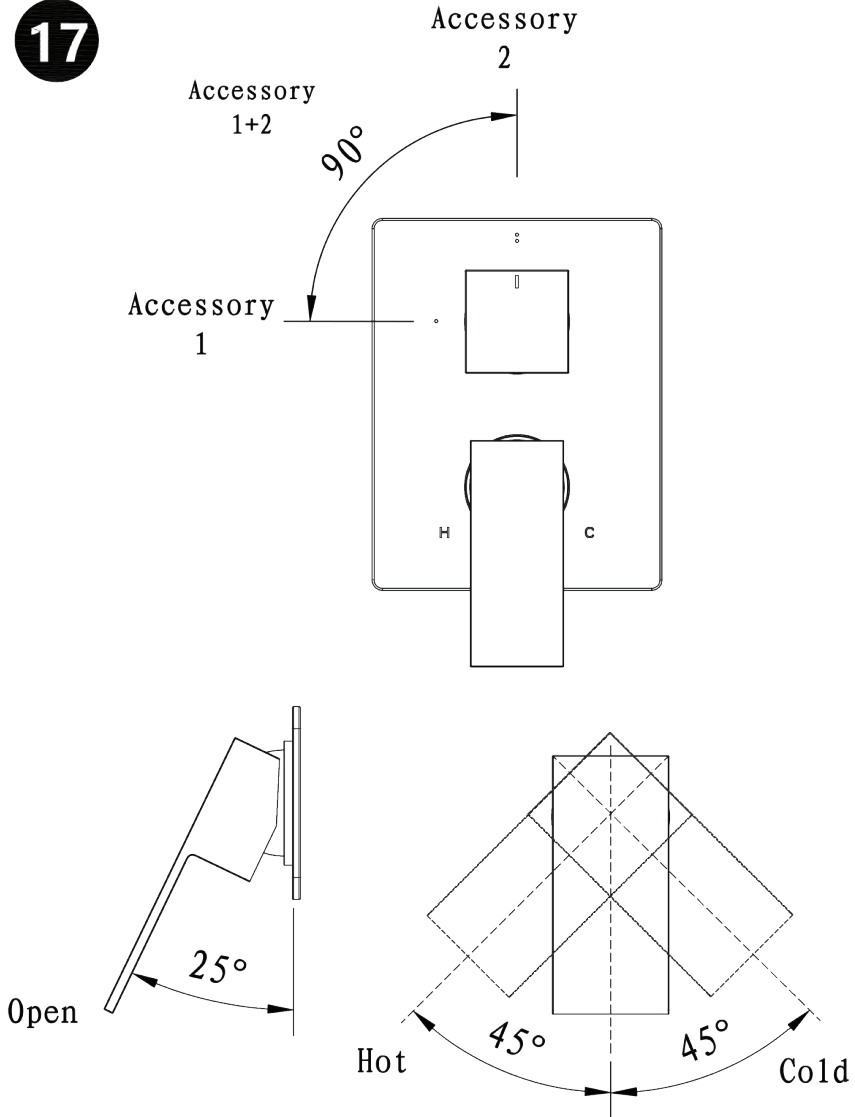
16b



Connect the shower handle to the shower rail. Tighten with a wrench.

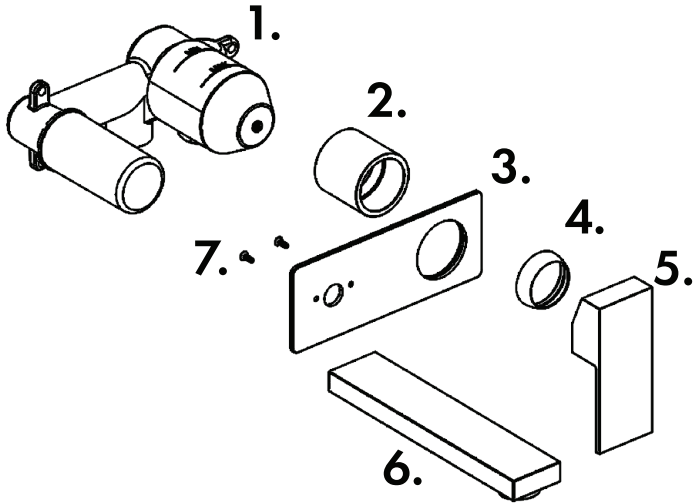
# SHOWER SYSTEM BODY

17



Review the diagram to understand the hot, cold, and open settings.

## SHOWER SYSTEM FAUCET



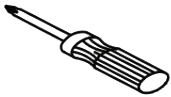
1. Rough-in
2. Sleeve
3. Faceplate
4. Cap
5. Handle
6. Spout
7. Screw

# SHOWER SYSTEM FAUCET

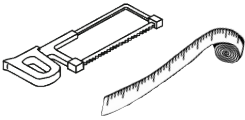
Tools:



Wrench



Screwdriver



Hacksaw and tape measure

Time required:



+/- 60 minutes

Legend:



Hot Water



Cold Water



Grease

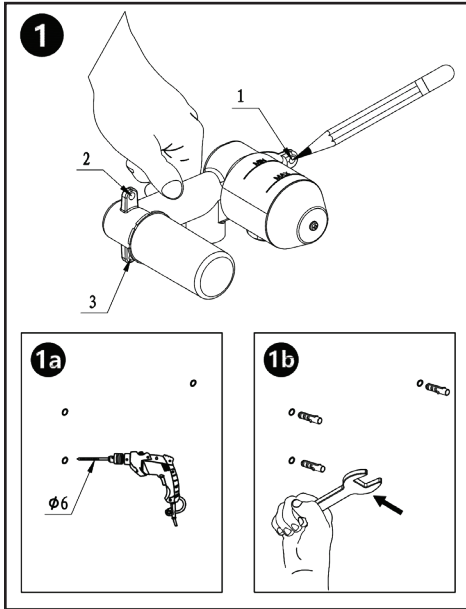


Warning

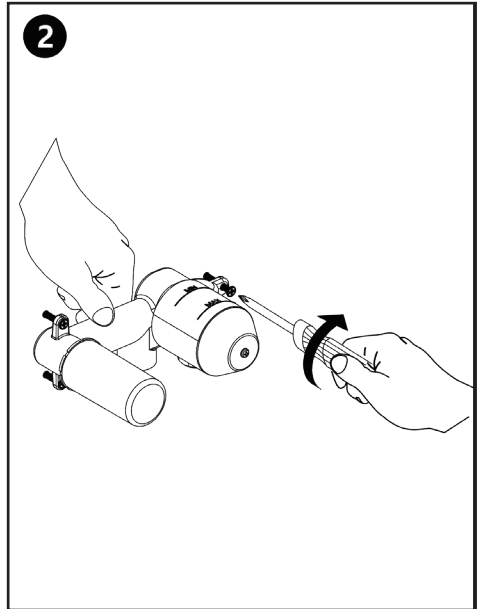


Plumber's Tape

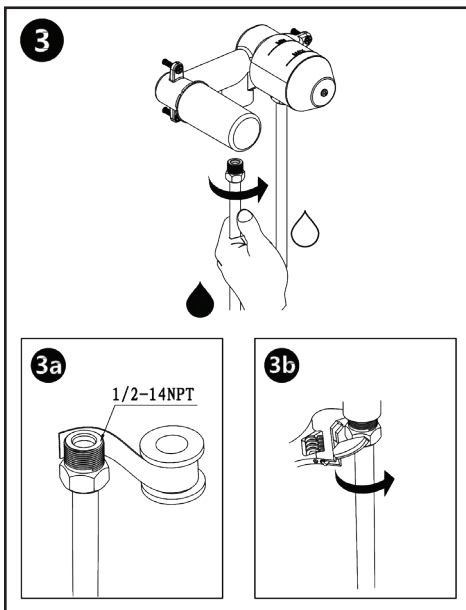
# SHOWER SYSTEM FAUCET



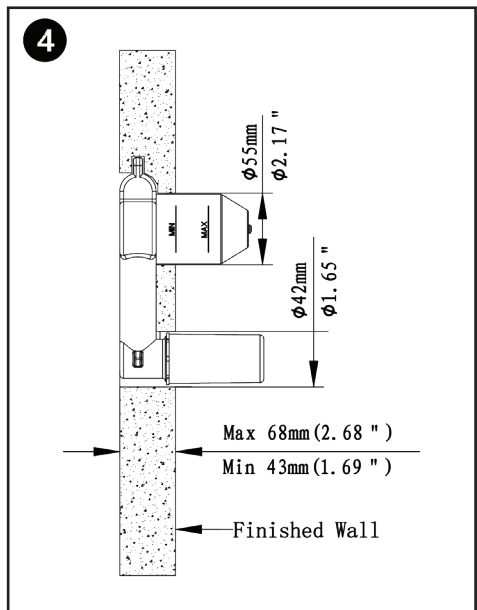
Mark on the wall where you want the faucet to be installed.



Use a screwdriver to screw the faucet onto the wall.



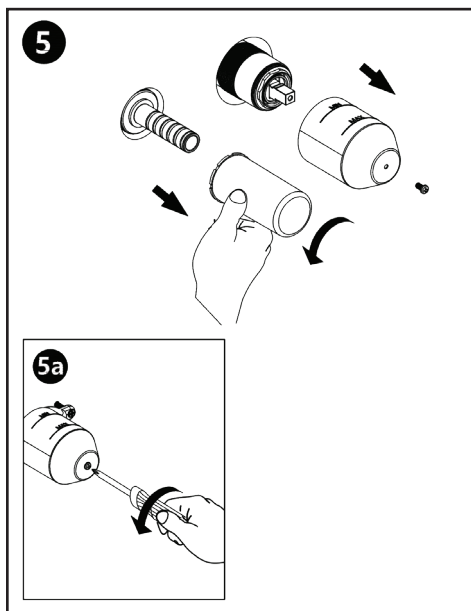
Attach the hose using plumbing tape and a wrench.



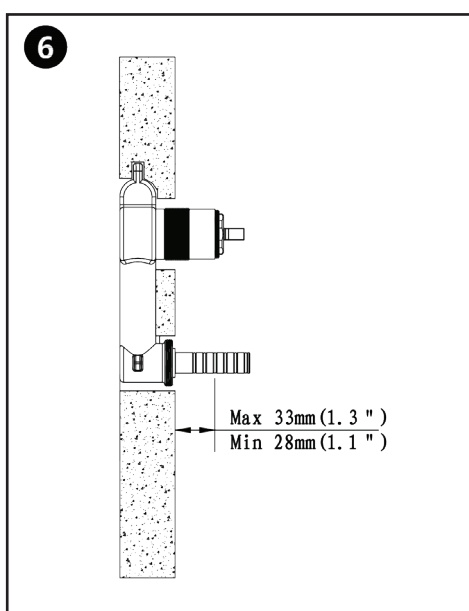
Place the components in the appropriate location.



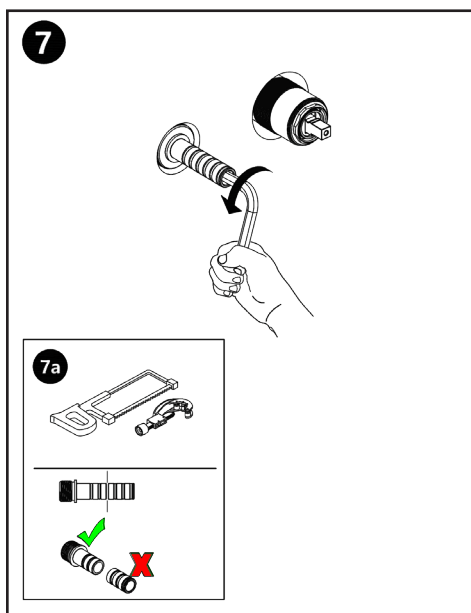
## SHOWER SYSTEM FAUCET



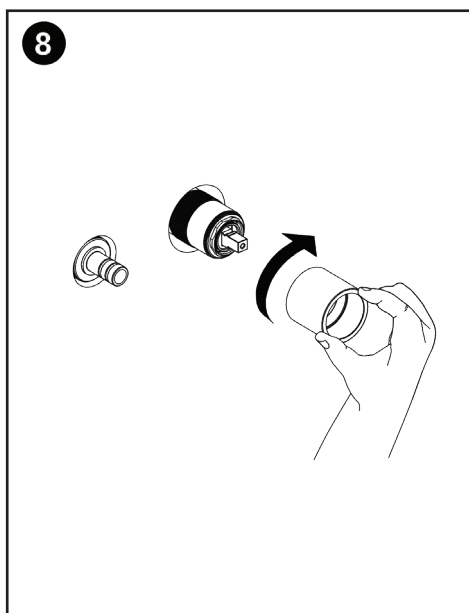
Screw the sleeve and washer into the wall valve body.



Make sure that the components are aligned properly.

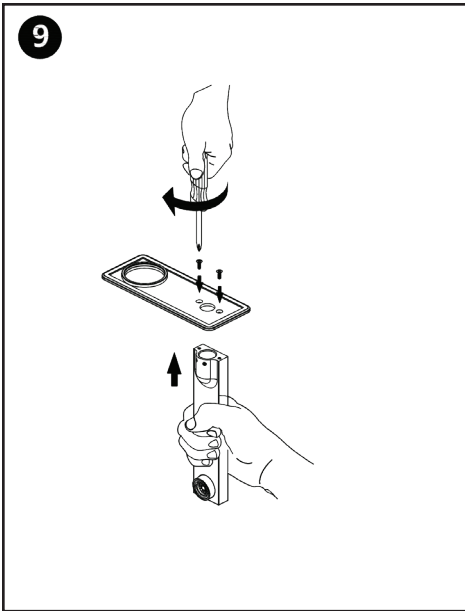


Tighten the components.

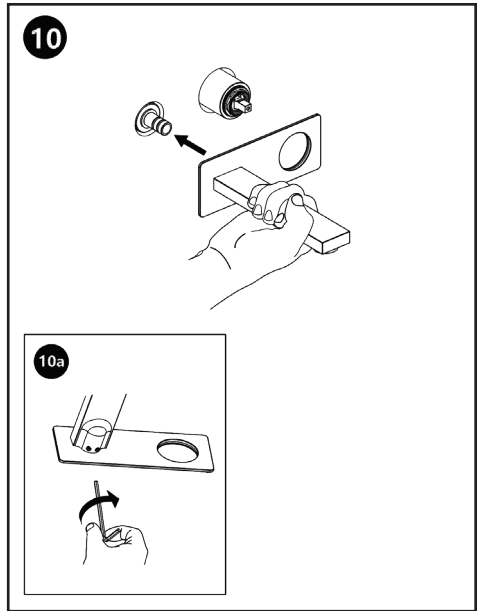


Take off the protective shield.

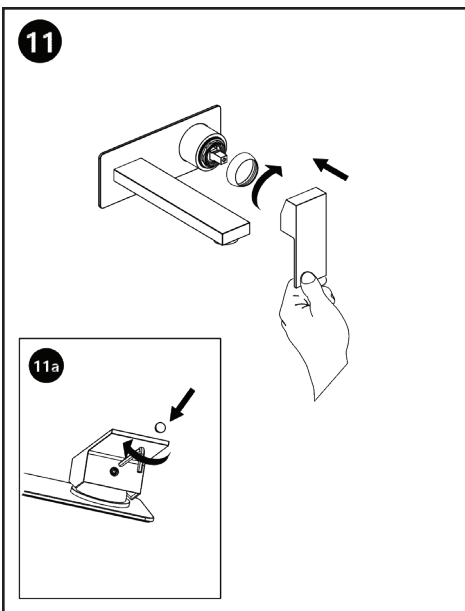
# SHOWER SYSTEM FAUCET



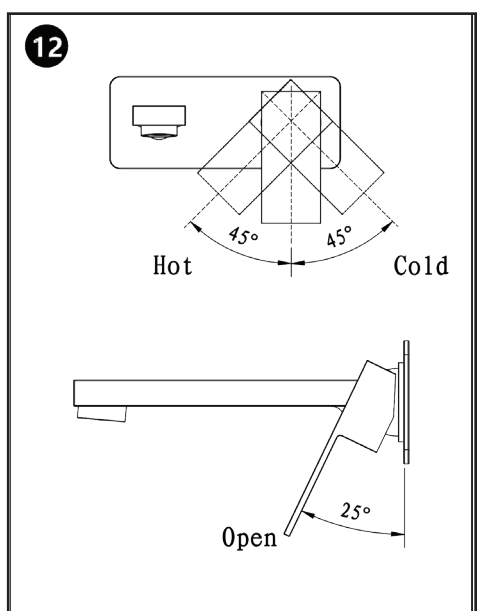
Attach faucet to base plate.



Attach base plate to wall.



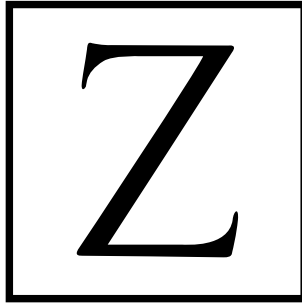
Attach handle to the fixture.



Review the diagram to understand the hot, cold, and open settings.

## TROUBLESHOOTING

Problem	Possible Cause	Solution
There is leakage under the handle.	The locking nut has come loose.	Unscrew the lever on the handle by hand. Loosen set screw with a hex wrench. Remove the handle and unscrew trim cap by hand. Tighten locking nut with an adjustable wrench.
Water will not shut off completely.	Cartridge may be defective.	Unscrew the level on the handle by hand. Loosen set screw with a hex wrench. Remove the handle and unscrew trim cap by hand. Unscrew the locking nut with an adjustable wrench. Remove ceramic disc cartridge. Check for cracks.
There is a leak between the spray head and the hose.	The spray head may be loose or the washer is not seated correctly in the hose connection.	Tighten the spray head by hand until snug. Make sure the washer is seated correctly.



**ZLINE**  
KITCHEN AND BATH

**Three Locations:**

350 Parr Circle  
Reno, NV 89512

916 Delaware Avenue  
Marysville, OH 43040

319 Rowland Mill Road  
Bruceston, TN 38317

[www.zlinekitchen.com](http://www.zlinekitchen.com)

**1-614-777-5004**