

STRATUS ISOLA WHITE ISLAND RANGE HOOD



A BEAUTIFUL NEW CEILING MOUNTED HOOD WITH ADVANCED FEATURES. THE STRATUS HOOD FEATURES A SLEEK MOUNTED WHITE GLASS PANEL THAT FITS IN THE CEILING ABOVE YOUR COOKING, QUIETLY DOING ITS JOB. NOW COMES IN MORE CFM OPTIONS FROM 300 UP TO 1,200 CFM



Now with more blower options

AVAILABLE MODELS

model #	size / color	cfm*
STRTIS36WHNB	36 White Glass	choose
STRTIS48WHNB	48 White Glass	choose

* choose a blower	cfm	sones
IB300	300	1.0 - 3.0
IB400	400	1.0 - 4.0
IB600	600	1.0 - 7.0
RB900	900	
RB1200	1200	
AXP250	735	

KEY FEATURES



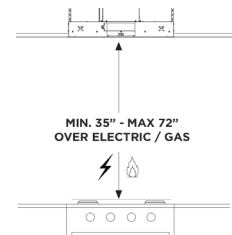
Perimetric Filter System
Glass panel increases efficiency and decreases noise levels



Remote Control (included)
Control all features of the hood from the convenience of a wireless remote control



Blower Flexibility (NEW)
Choose your blower CFM from 300, 400, 600 internal blowers or 900 / 1200 remote blower or in-line blower



Installation Flexibility
Mounting flexibility above the cooktop 35" - 72" height off the stove

STRATUS ISOLA WHITE

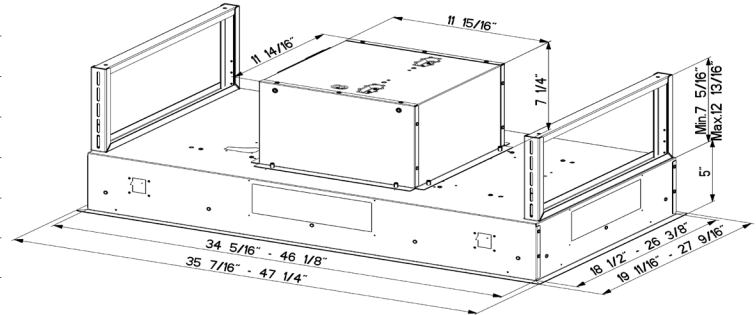
ISLAND RANGE HOOD

FABER

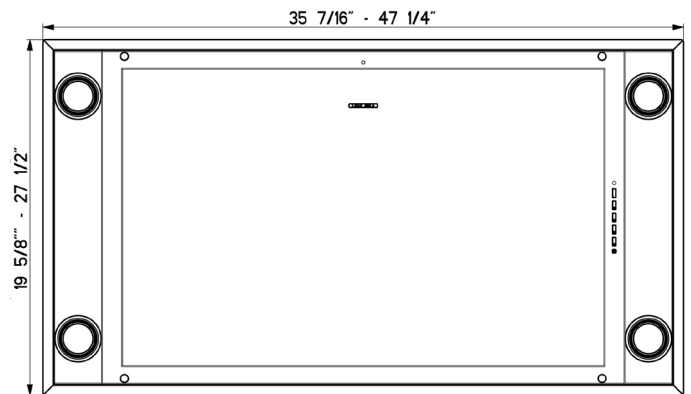
AIR MATTERS

DIMENSIONS

min / max ceiling height	5' 11" - 9' (up to 72" above the stove)
convertible to ductless / recirculating	yes - kit sold separately
hood width depth (36")	35 7/16" w 18 1/2" d
hood width depth (48")	47 1/4" w 27 9/16" d
controls	4 Speed LED Digital Touch Control
lighting	2 LED Light Bars
ducting	6" round -4 Way side Vent / 10" top only
grease filters	dishwasher safe mesh
Perimetric Filter/ SilentKit	yes
24 hour anti-pollution mode	yes
10 minute intensive speed	yes
30 minute auto shut off	yes
filter wash alarm	yes
ADA compliant	yes (with included remote control)
AC power	400 watts / 3.2 amps (with IB600)

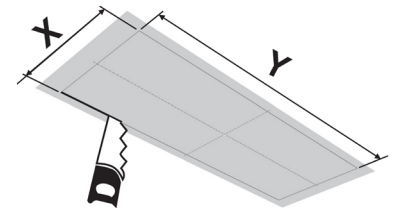


Overall



Bottom/Side

See image with dimensions for ceiling cutout.



Hood	X	Y
36"	18 11/16"	34 9/16"
48"	26 9/16"	46 3/8"

Ceiling Cut Out

WARNING! Product specifications are subject to change without notification. Consult the installation instructions before you begin installing this range hood. * Check local make up air codes for guidelines.

PERFORMANCE

	SPEED	1	2	3	BOOST
CFM		150	300	450	560
Sones		3.9	5	6.0	7.0

ACCESSORIES

FILTER1- Charcoal Filter Kit

High quality charcoal filter for use when recirculating the air back into the kitchen. Filters out odor and should be replaced every 6 months.

FILTER1LL2 - Long Lasting Charcoal Filter Kit

New washable charcoal filter can be recharged and washed up to 8 times. For use when recirculating the air back into the kitchen filters out odor and can last up to 4 years.

FLANGE10- 10" Plate for Remote Blower

A 10" plate for connecting the remote blower to 10" round ducting. This is required for AXP250 & non-Faber remote blowers

MUDAMPER6 / MUDAMPER8 / MUDAMPER10 - Universal Make-Up Air Damper

Satisfies make-up air requirements, this kit uses an air switch to activate the make-up air damper to open and bring fresh air into the home when the hood fan is on. It then closes tightly when the hood is off. The CFM level is not reduced with this accessory.

FLANGE3 - 3 1/4" x 10" Rectangular Flange Transition

For ceiling or downdraft hoods with an external blower that requires a 10" round duct, this transition turns the duct into a 3 1/4" x 10" rectangular duct. Transition back to 10" round once inside the basement, ceiling, attic, wall etc.



Rev :4/21

2 Cabot Road Hudson, MA 01749 • TEL: (508) 358-5353 • E-Mail: info@faberonline.com www.faberonline.com Imagined in Italy