



SPECIFICATIONS

COS-QB90 Range Hood



Size	36 Inch
Mounting Type	Under Cabinet
Controls	Push Button
Filters	2 x Stainless Steel Baffle Filters
Material	430 Grade Stainless Steel
Air Flow	500 CFM
Noise Level	40 dB*
Vent Style	External
Lighting	2 x Front LED
Voltage	120V / 60Hz
Wattage	264W
Included Components	Bulb(s), Damper, Exhaust Vent, Fan Hardware, Installation Kit, Power Cord

COS-QB90

Presenting this professional style range hood, Cosmo's COS-QB90 Range Hood is powered by 500 CFM of suction, LED lights and ARC-FLOW® Stainless Steel Permanent Filters.



3 Fan Speeds



Push Button Controls



LED Lighting

Features

- Designed for under cabinet mounting
- 3 fan speeds
- 500 CFM airflow capacity
- Push button controls
- ARC-FLOW® permanent filters
- Front LED lights
- Noise level as low as 40 dB*
- Top vented



See Page 2 for dimensions

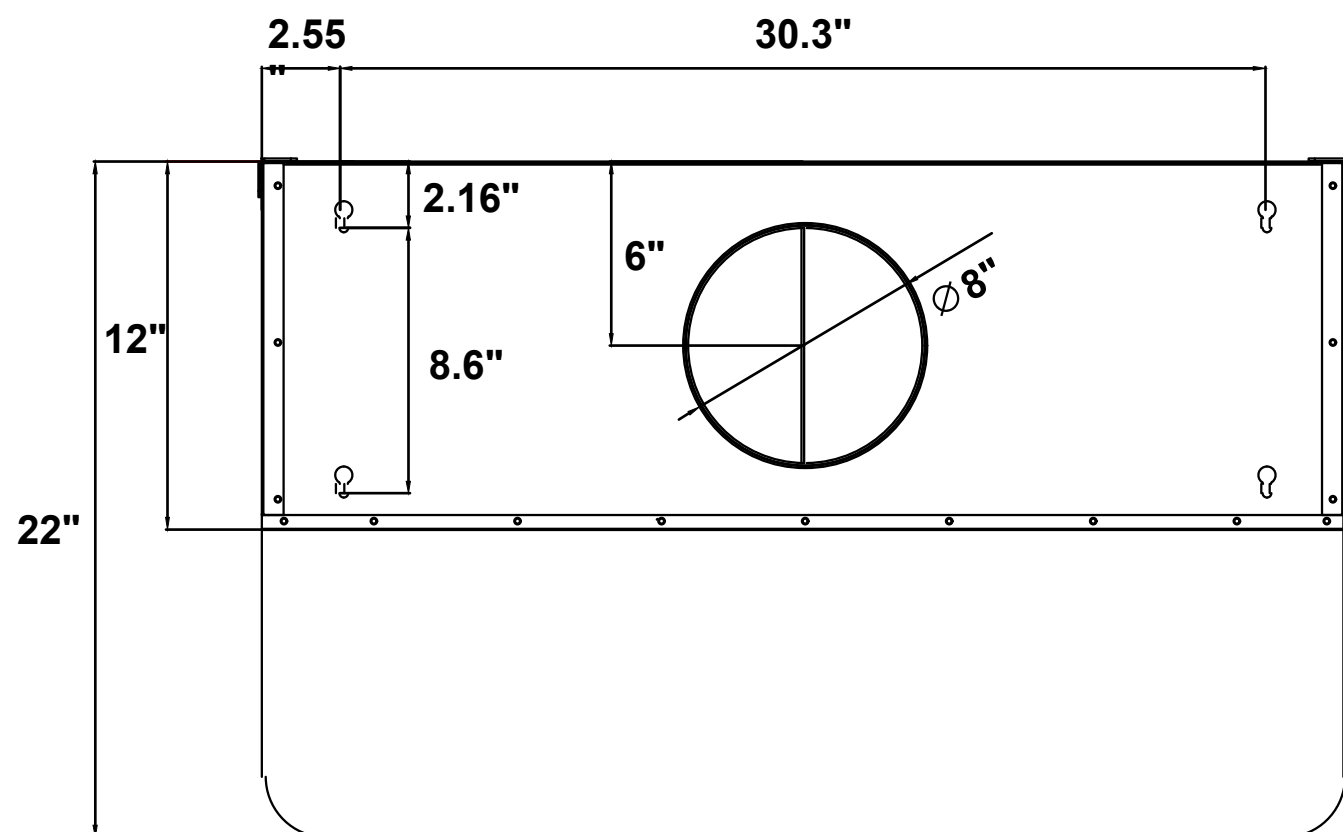
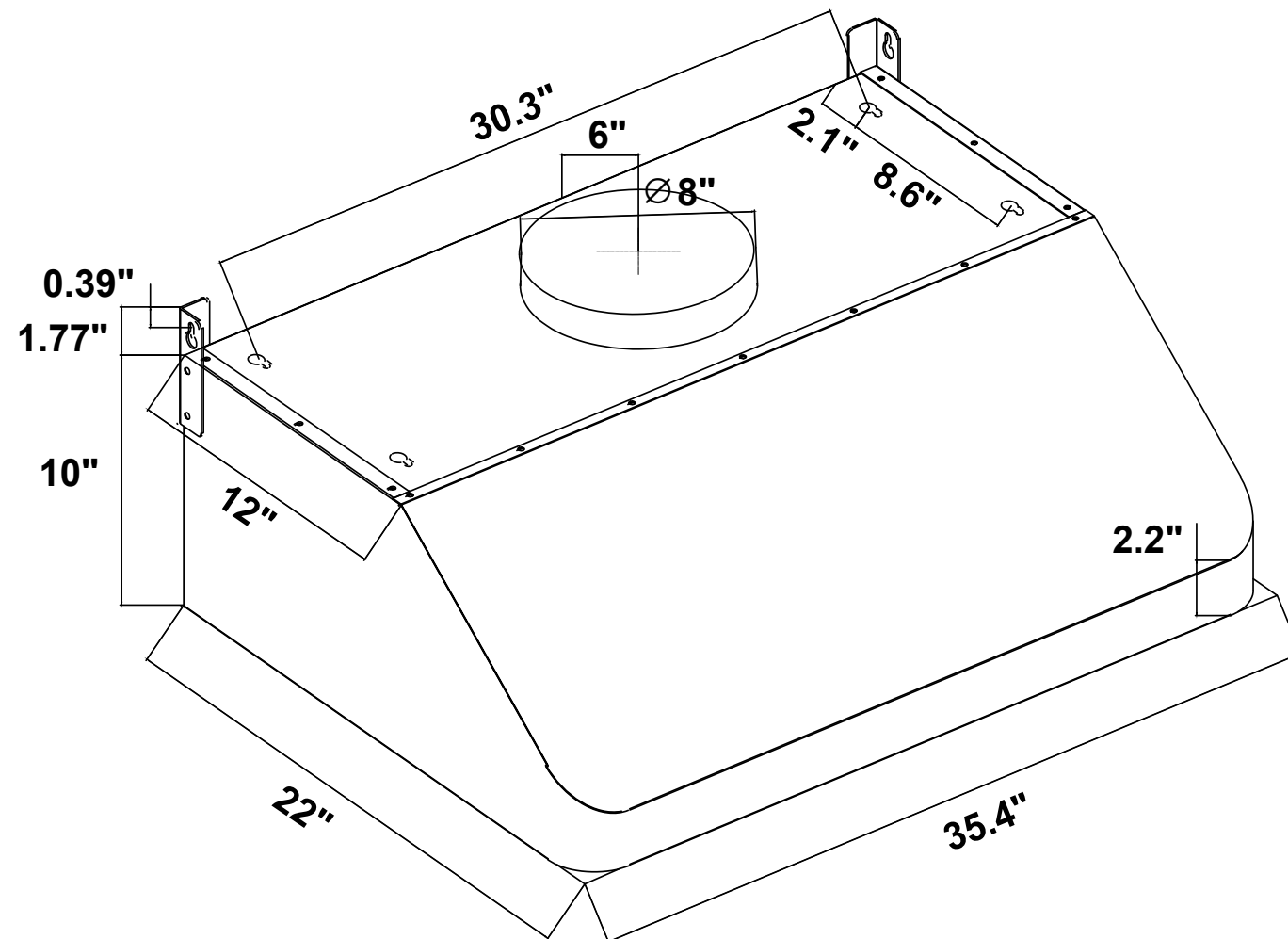
For more information, please visit: www.cosmoappliances.com

* Noise level as low as 40 dB on lowest fan speed with rigid ducting (sold separately) under optimal conditions

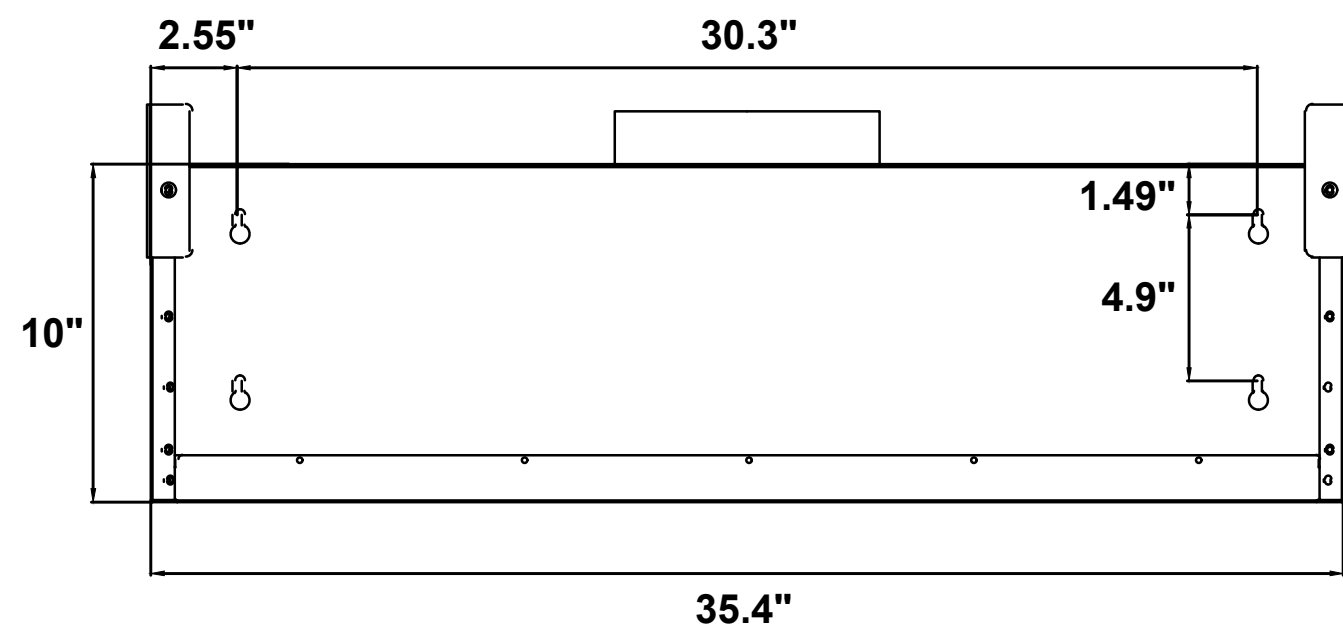


DIMENSIONS

COS-QB90 Range Hood



TOP VIEW



BACK VIEW

Dimensions (WxDxH): 35.4" x 22" x 10"