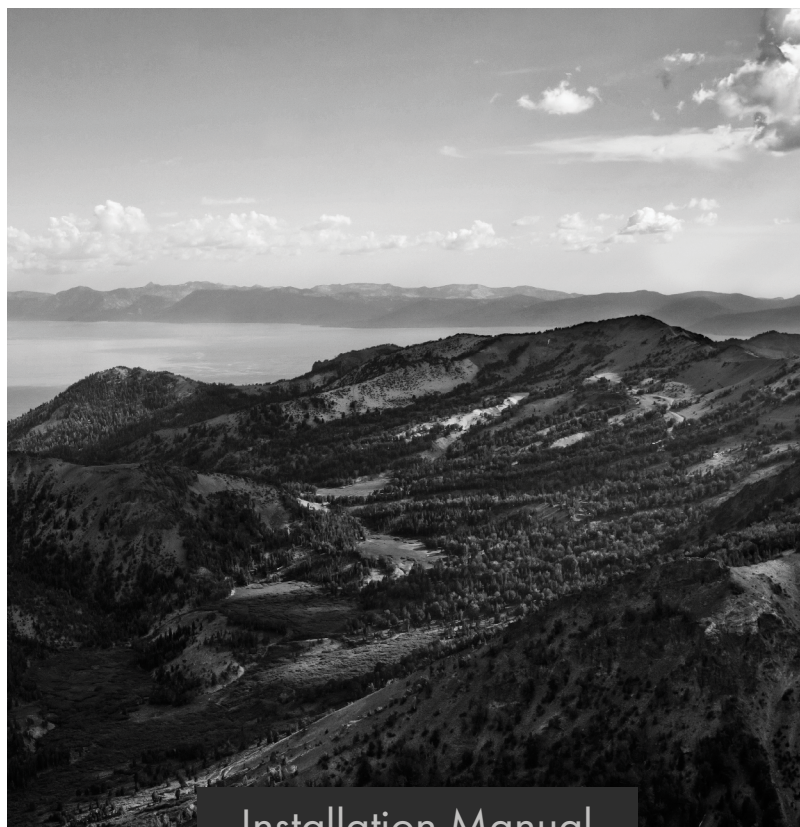


ZLINE

ATTAINABLE LUXURY[®]



Installation Manual

MICROWAVE OVEN

www.zlinekitchen.com



ZLINE Kitchen and Bath provides Attainable Luxury, where the kitchen and bath of your dreams is never out of reach. Through our unique designs and unparalleled quality, we're dedicated to providing you an elevated experience in the heart of your home. With an endless selection of features and finishes, our inspiration is your reality.

ZLINE
ATTAINABLE LUXURY®



ZLINE is fueled by a passion for innovation; A relentless pursuit of bringing the highest end luxury designs and professional features into everyone's homes. Because we continually strive to improve our products, we may change specifications and designs without prior notice.

⚠ WARNING: This product can expose you to chemicals including nickel, which is known to the State of California to cause cancer. For more information, go to www.P65Warnings.ca.gov.

TABLE OF CONTENTS

IMPORTANT SAFETY INSTRUCTIONS	1
BEFORE INSTALLATION	8
INSTALLATION	13
WARRANTY	16

IMPORTANT SAFETY INSTRUCTIONS

Before operation, please read and follow these important instructions for the safety of your home and the people living in it.

When using electrical appliances, basic safety precautions should be followed, including the following:

- Install or locate this appliance only in accordance with the provided installation instructions.
- This appliance is intended to be used in households and similar applications such as: staff kitchen areas in shops, offices, and other working environments; by clients in hotels, motels, and other residential type environments; farm houses; and bed and breakfast type environments.



WARNING: Ensure that the appliance is switched off before replacing the lamp to avoid the possibility of electric shock.

- Do not attempt to operate this oven with the door open. This can result in harmful exposure to microwave energy.
- It is important not to break or tamper with the safety interlocks.
- Do not place any object between the oven front face and the door or allow soil or cleaner residue to accumulate on sealing surfaces.
- Do not operate the oven if it is damaged. It is particularly important that the oven door closes properly and that there is no damage to the:
 - Door (bent or broken)
 - Hinges and latches (broken or loosened)
 - Door seals and sealing surfaces (dirty or eroding)
- The oven should not be adjusted or repaired by anyone except properly qualified service personnel.

IMPORTANT SAFETY INSTRUCTIONS

- If the oven is not maintained in a good state of cleanliness, its surface could be degraded and affect the lifespan of the oven and lead to a dangerous situation.
- Use this appliance only for its intended use as described in the manual. Do not use corrosive chemicals or vapors in this appliance. This type of oven is specifically designed to heat, cook, or defrost food. It is not designed for industrial or laboratory use.
- Do not use harsh abrasive cleaners or sharp metal scrapers to clean the oven door glass since they can scratch the surface, which may result in shattering of the glass.
- Heavily soiled seal: If the seal is very dirty or eroded, the appliance door will no longer close properly during operation. The fronts of adjacent units could also be damaged. Always keep the seal clean.
- This appliance can be used by children if they have been given supervision or instruction concerning use of the appliance in a safe way and understand the hazards involved.
- Children shall not play with the appliance. Cleaning and user maintenance shall not be made by children without supervision. Keep the appliance and its cord out of reach of children without supervision.
- If the electrical cord is damaged, it must be replaced by the manufacturer or a similarly qualified professional in order to avoid a hazard.
- Do not immerse cord or plug in water.
- Keep cord away from heated surface.
- Do not let cord hang over edge of table or counter.
- Do not cover or block any openings on the appliance.

IMPORTANT SAFETY INSTRUCTIONS

- Do not store this appliance outdoors. Do not use this product near water — for example, near a kitchen sink, in a wet basement, near a swimming pool, or similar location.
- To reduce the risk of fire inside the oven:
 - Do not overcook food. Carefully oversee appliance when paper, plastic, or other combustible materials are placed inside the oven to facilitate cooking.
 - Remove wire twist-ties from paper or plastic bags before placing bag in oven.
 - If material inside of the oven ignites, keep oven door closed, turn oven off, and disconnect power cord or shut off power at the fuse or circuit breaker panel.
 - Do not use the microwave for storage purposes. Do not leave paper products, cooking utensils, or food inside when not in use.
- If smoke is emitted, switch off and unplug the appliance and keep the door closed in order to stifle any flames.
- Care should be taken not to displace the turntable when removing containers from the appliance.
- Some products, such as whole eggs and sealed containers — for example, closed glass jars — can explode and should not be heated in this oven.




WARNING: Liquids and other foods must not be heated in sealed containers since they are liable to explode.

IMPORTANT SAFETY INSTRUCTIONS

- Liquids such as water, coffee, or tea may be heated beyond the boiling point without appearing to be boiling. Visible bubbling or boiling when the container is removed from the microwave oven is not always present. THIS COULD RESULT IN VERY HOT LIQUID SUDDENLY BOILING OVER WHEN THE CONTAINER IS DISTURBED OR A UTENSIL IS INSERTED INTO THE LIQUID. To reduce the risk of injury to persons:
 - Do not overheat the liquid.
 - Stir the liquid both before and halfway through heating it.
 - Do not use straight-sided containers with narrow necks.
 - After heating, allow the container to stand in the microwave oven for a short time before removing the container.
 - Use extreme care when inserting a spoon or other utensil into the container.
- Do not operate any heating or cooking appliance beneath the appliance. (Exception: A microwave oven made for use above another heating appliance.)
- Do not mount unit over or near any portion of heating or cooking appliance. (Exception: A microwave oven made for use above another heating appliance.)
- Do not mount over sink.
- Do not store anything directly on top of the appliance surface when the appliance is in operation.
- Oversized food or oversized metal utensils should not be inserted in the oven as they may create a fire or risk of electric shock.
- The appliance shall not be cleaned with a steam cleaner.

IMPORTANT SAFETY INSTRUCTIONS

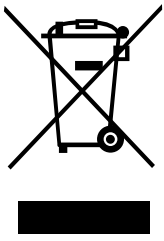
- Do not clean with metal scouring pads. Pieces can burn off the pad and touch electrical parts, increasing the risk of electric shock.
 - Do not use paper products when appliance is operated in the convection or baking mode.
 - Do not store any materials, other than manufacturer's recommended accessories, in this oven when not in use.
 - Do not cover racks or any other part of the oven with metal foil. This will cause overheating of the oven.
 - When heating food in plastic or paper containers, keep an eye on the oven due to the possibility of ignition.
 - Only use utensils that are suitable for use in microwave ovens.
 - The contents of feeding bottles and baby food jars must be stirred or shaken and the temperature checked before consumption in order to avoid burns.
 - The oven should be cleaned regularly and any food deposits removed since they may explode even after microwave heating has ended.
 - The microwave oven is intended for heating food and beverages. Drying of food or clothing and heating of warming pads, slippers, sponges, damp cloths, and similar items may lead to risk of injury, ignition, or fire.
-  **WARNING:** The appliance and its accessible parts become hot during use. Surface of a storage drawer can get hot. Care should be taken to avoid touching heating elements. Metallic containers for food and beverages are not allowed during microwave cooking.
- The appliance is intended to be used built-in.
 - The appliance must not be installed behind a decorative door in order to avoid overheating.

IMPORTANT SAFETY INSTRUCTIONS

- Using metal, aluminum, or other non-microwave-safe objects with the microwave function can cause sparks. Sparks can irreparably damage the glass on the inside the of the door.
- Never pour water inside the hot cooking compartment. This will cause steam. The temperature change can cause damage.
- Do not store moist food in the cooking compartment for long periods.
- Do not use the appliance to store food. This can lead to corrosion.
- Do not open the door to assist with cooling down food. The door must remain closed.
- Do not trap anything in the appliance door. Even if the door is only slightly ajar, the fronts of adjacent units may be damaged over time.
- Do not operate the microwave without food inside. Doing so may lead to power overloading. Never switch on the appliance unless there is food in the cooking compartment.
- Do not stand or place anything on the open appliance door. Do not place ovenware or accessories on the appliance door.
- When transporting the appliance, do not carry or hold the appliance by the door handle. The door handle cannot support the weight of the appliance and could break.

IMPORTANT SAFETY INSTRUCTIONS

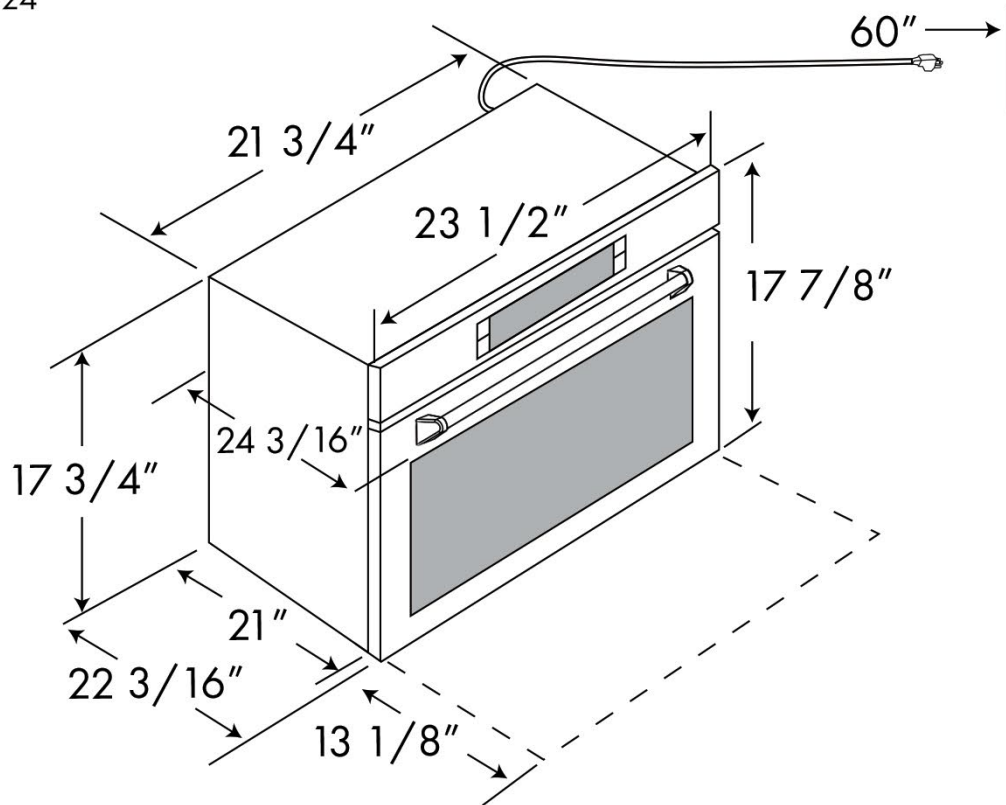
ENVIRONMENTALLY-FRIENDLY DISPOSAL



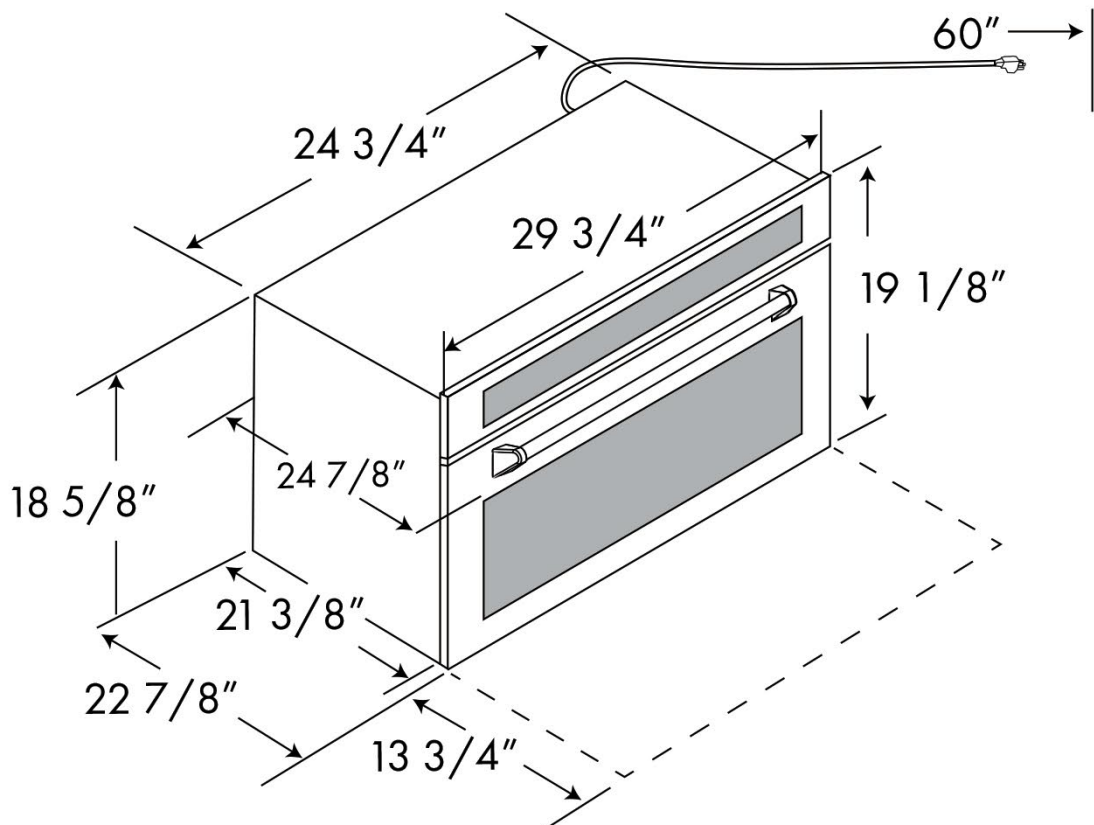
Dispose of packaging in an environmentally-friendly manner. This appliance complies with European Directive 2002/96/EC on Waste Electrical and Electronic Equipment (WEEE). The directive gives a framework for the collection and recycling of old appliances, which is valid across the EU.

BEFORE INSTALLATION

MWO-24



MWO-30



BEFORE INSTALLATION

Gather the required tools before starting installation. Read and follow the instructions provided with any tools listed here.

TOOLS AND PARTS NEEDED

- Phillips-head screwdriver
- 1/8" drill bit and drill
- Measuring tape

PARTS PROVIDED

- Phillips-head screws (2)

BEFORE INSTALLATION



ELECTRIC SHOCK HAZARD

- Before you plug in an electrical cord or turn on power supply, make sure all controls are in the OFF position.
- This appliance must be grounded. Connect only to properly grounded outlet.
- Improper grounding may result in electrical shock. Consult a qualified electrician if the grounding instructions are not completely understood, or if doubt exists as to whether the appliance is properly grounded.
- Do not cut or remove the ground prong. It must be plugged into a matching grounding type receptacle to avoid electrical shock. If there is any doubt if the wall receptacle is properly grounded, check with a qualified electrician.
- Before installing, turn power OFF at the service panel. Lock service panel to prevent power from being turned on accidentally.
- Be sure your appliance is properly installed and grounded by a qualified technician. Installation, electrical connections, and grounding must comply with all applicable codes. In the event of an electrical short circuit, grounding reduces the risk of electric shock by providing an escape wire for the electric current.
- This appliance is equipped with a cord having a grounding wire with a grounding plug. The plug must be plugged into an outlet that is properly installed and grounded.



WARNING: Improper use of the grounding can result in a risk of electric shock.

- If it is necessary to use an extension cord, use only a 3-wire extension cord that has a 3-prong grounded plug and a 3-slot receptacle that will accept the plug on the appliance. The marked rating of the extension cord shall be equal to or greater than the electrical rating of the appliance.

BEFORE INSTALLATION

- Only a qualified electrician who takes the appropriate regulations into account may install the socket or replace the connecting cable. If the plug is no longer accessible following installation, an all-pole isolating switch must be present on the installation side with a contact gap of at least 1/8". Contact protection must be ensured by the professional who installs the unit.
- Touching some of the internal components can cause serious personal injury or death. Do not disassemble this appliance. Improper use of the grounding can result in electrical shock. Do not plug into an outlet until appliance is properly installed and grounded.
- A short power-supply cord is provided to reduce the risks resulting from becoming entangled in or tripping over a longer cord.



WARNING: We do not recommend using an extension cord and if used on this appliance, it will void warranty. If you are going to use an extension cord, make sure the wire gauge and length are correct for use with a microwave. The use of an extension cord can cause voltage drop, fire hazard, and can cause permanent damage to the microwave if used.

- Longer cord sets or extension cords may be used if care is exercised in their use. If a long cord or extension cord is used:
 - The marked electrical rating of the cord set or extension cord should be at least as great as the electrical rating of the appliance.
 - The extension cord must be a grounding-type 3-wire cord.
 - The longer cord should be arranged so that it will not drape over the countertop or tabletop where it can be pulled on by children or tripped over unintentionally.

BEFORE INSTALLATION

ELECTRICAL REQUIREMENTS:

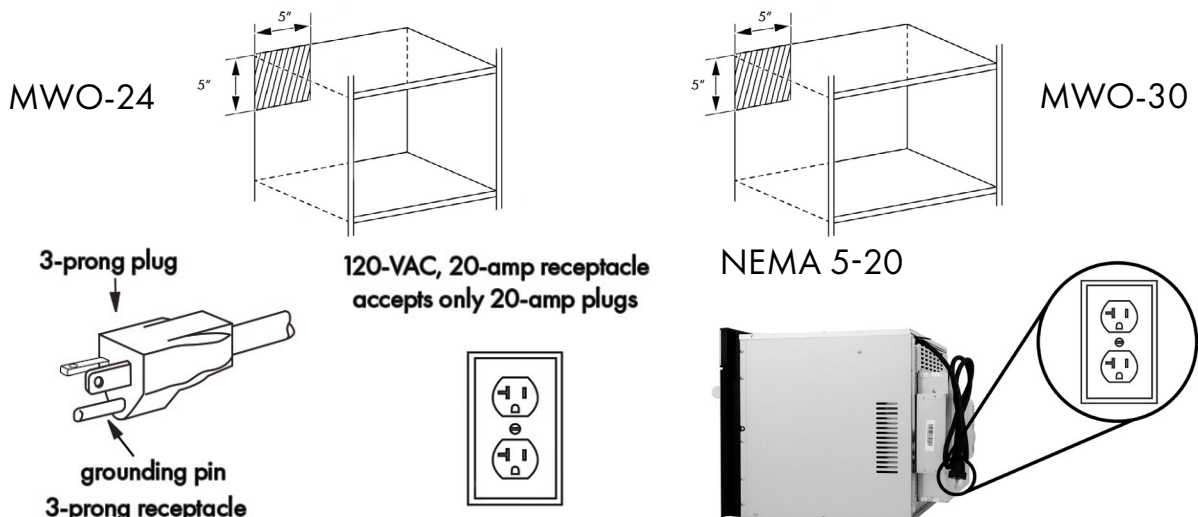
- A 3-prong grounded outlet
- 120VAC, 60HZ, NEMA 5-20 plug
- 20-amp electrical supply with a fuse or a circuit breaker

ELECTRIC INSTALLATION

- This product must be connected to a supply circuit of the proper voltage and frequency. Wire size must conform to the requirements of the National Electrical Code or the prevailing local code for this rating.
- The power supply cord and plug should be brought to a separate 20-amp branch circuit, single-grounded outlet. The outlet box should be located inside the cabinet above the appliance.
- The outlet box and supply circuit should be installed by a qualified electrician and conform to the National Electrical Code or the prevailing local code.
- The voltage used must be the same as specified on this microwave oven. Using a higher voltage is dangerous and may result in a fire or oven damage. Using a lower voltage will cause slow cooking.
- The manufacturer is not responsible for any damages resulting from the use of the oven with any voltage other than specified.

OUTLET AREA

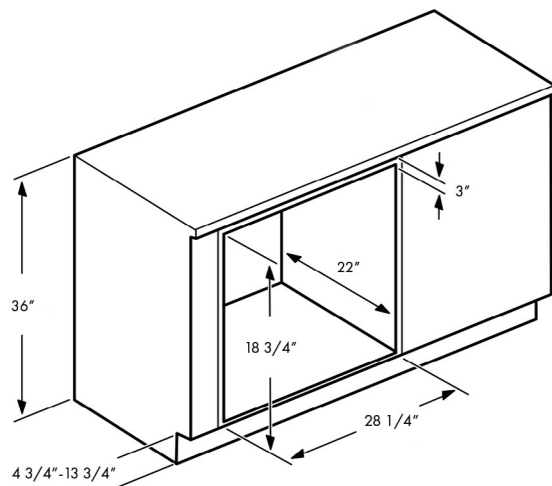
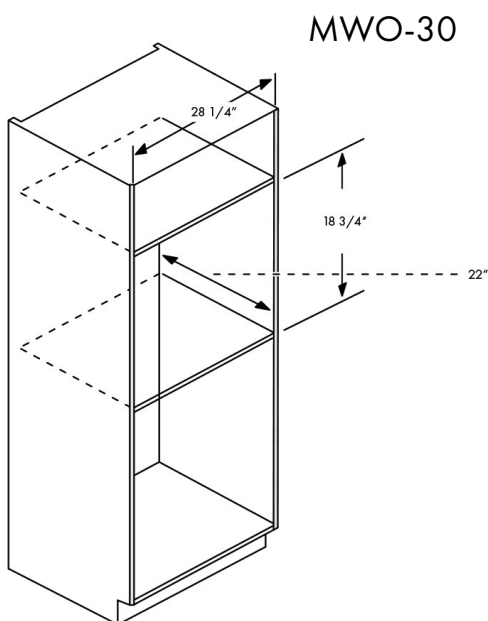
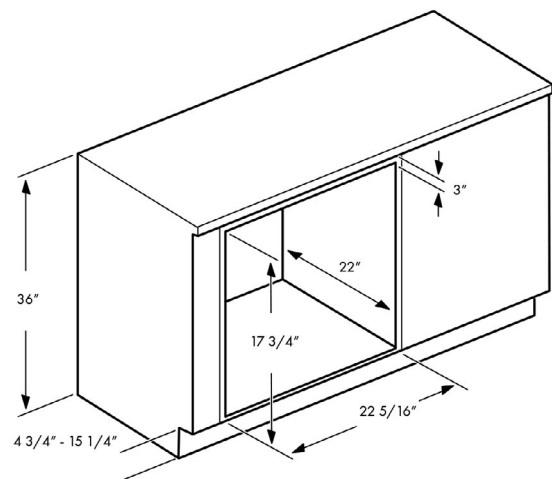
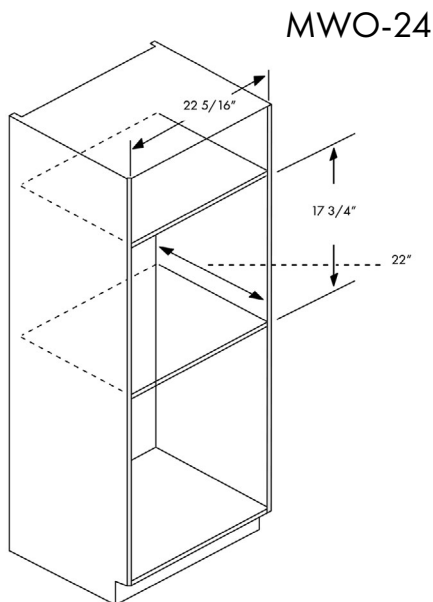
- The electrical outlet must be located anywhere within the shaded area; the minimal distance between the appliance and the wall is 1 3/4".



INSTALLATION

GENERAL CABINET REQUIREMENTS:

- 1/4" space is required between the side of the appliance and an adjacent wall or cabinet door when installed at the end of a cabinet run.
- The cabinet base must be flat and capable of supporting the weight (roughly 90 pounds) of your appliance when in use.
- The appliance door will overlap the furniture below by approx 3/16" when opened.
- There must be an air gap of at least 1/4" between the appliance and the cabinet walls when the appliance is installed, i.e. 1/8" each side.

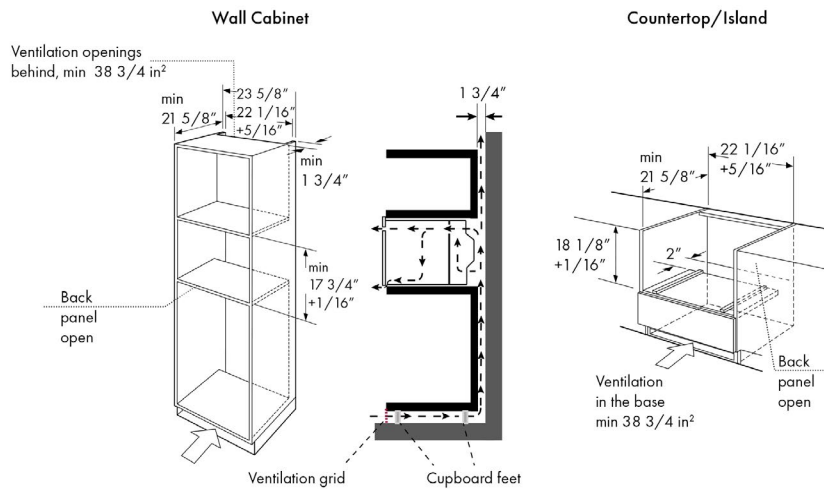


INSTALLATION

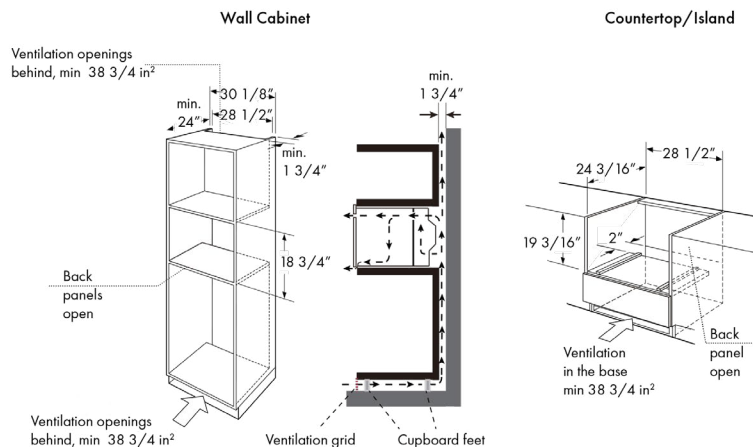
VENTILATED CABINET

- This appliance is only intended to be fully fitted in a kitchen. This appliance is not designed to be used as a tabletop appliance or inside a cupboard.
- The fitted cabinet must not have a back wall behind the appliance.
- A gap of at least 1 3/4" must be maintained between the wall and the base or back panel of the unit above.
- The fitted cabinet must have a ventilation opening of 38 3/4 in² in the base. To achieve this, cut back the base panel or fit a ventilation grill.
- Ventilation slots and intakes must not be covered.
- The safe operation of this appliance can only be guaranteed if it has been installed in accordance with these installation instructions.
- The units into which the appliance is fitted must be heat-resistant up to 194°F.
- Note: There should be a minimum 1/16" gap above the oven.

MWO-24



MWO-30

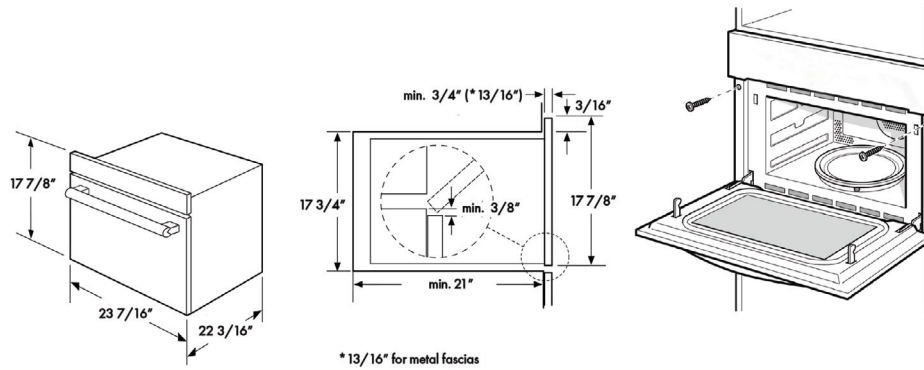


Note: There should be a gap above the oven.

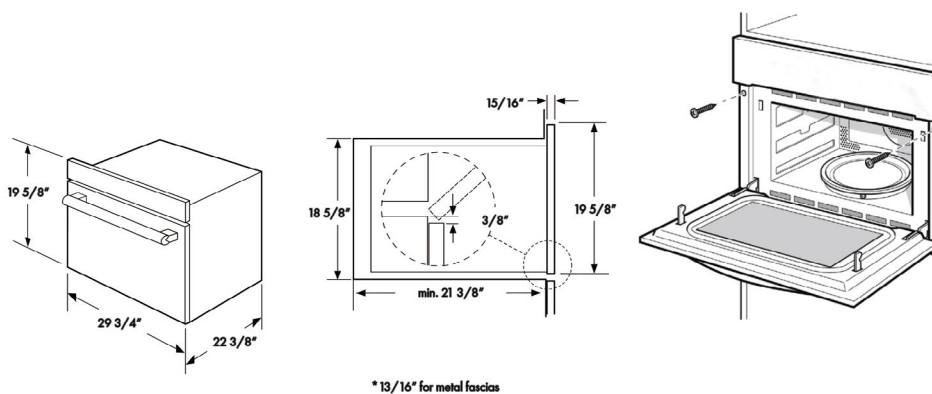
INSTALLATION

BUILT-IN

MWO-24



MWO-30



- Carefully push the microwave into the cabinetry, making sure that it is in the center.
- Do not kink the electrical cable.
- Open the door and fasten the microwave with the screws that were supplied.



WARNING: The gap between the worktop and the appliance must not be closed by additional battens.

MOUNT TO CABINET

NOTE: The appliance is heavy. It is advisable to install it with a second person.



NOTICE: Before installing the appliance, be sure to verify the cabinet dimensions and electrical connections.

1. Fully insert the appliance and center it. Do not kink the electrical cable.
2. Screw the appliance into pre-drilled holes in the cabinetry.

WARRANTY

COVERAGE

ZLINE Kitchen and Bath microwave parts will be warranted for two years from the original purchase date for the original purchaser of the product.

TERMS

This warranty applies only to the original purchaser of the product installed for normal residential use. This is defined as a single-family, residential dwelling in a non-commercial setting. Commercial settings include but are not limited to: schools, churches, hotels, restaurants, vacation rentals such as Airbnb, day care centers, private clubs, fire stations, common areas in multi-family dwellings, nursing homes, food service locations, and institutional food service locations such as hospitals or correction facilities. This warranty is non-transferable and will not be extended based on the date of installation. The warranty applies only to products installed in the contiguous United States and the District of Columbia. Warranty shall not apply and ZLINE Kitchen and Bath is not responsible for damage resulting from negligence, improper maintenance, misuse, abuse, alteration of or tampering with the appliance, accident, natural disaster, improper electric supply, unauthorized service or repair, improper installation, or installation not in accordance with the instructions contained in the manual or with local government codes.

WHAT IS NOT COVERED

1. Installation or start-up damages or problems caused by improper installation or use.
2. Damage related to unauthorized service or unauthorized parts.
3. Installation in any commercial or non-residential application.
4. Aesthetic damage, scratches, or natural wear caused by normal use.
5. Second-hand, open box products, or products purchased from an unauthorized retailer.

WARRANTY



The rating tag shows the model and serial number of your microwave. The tag is located on the right side of the microwave. The tag is visible when the microwave door is open. Do not remove permanently affixed labels, warnings, or plates from the product. This will void the warranty.



SERVICE

For warranty service, please contact our Customer Service team at 1-614-777-5004 or visit www.zlinekitchen.com/contact to utilize our online Customer Experience Portal.



Need to purchase a part or accessory for your ZLINE product? Visit ZLINEparts.com, ZLINE's official parts distribution partner.

3.5.0

www.zlinekitchen.com

1-614-777-5004

contact@zlinekitchen.com

ZLINE
ATTAINABLE LUXURY®