

Professional Series Wall Installation

Step one: Find the center of the wall where you are installing the hood. Make sure there is sufficient bracing to hold the weight of the hood. Mark your center line and measure out from center to find your two mounting points. Make sure your mounting points are level when you mark them. It is recommended to install the hood directly into wood supports. fig 1

Step two: Mark your mounting points and install the two mounting screws provided leaving the heads out 1/4" to mount hood. fig 1

Step three: If your hood comes with separate mounting brackets, they must be installed to the back of the hood at this point. fig.2 Otherwise your mounting points are integrated into the construction of the hood.

Step four: Mount the main body of the hood to the two screws and screw into place. fig 3

Step 5: Make your electrical and ducting connections. Use 8" rigid duct wherever possible. Try and minimize the use of elbows. More elbows and longer runs create higher static pressure. The hood comes with a grounded three prong plug that can either be direct wired or plugged into a 20 amp. circuit. fig. 4

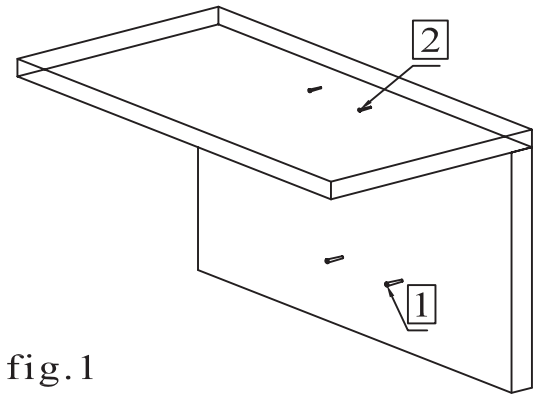


fig. 1

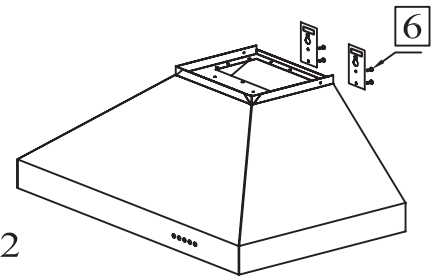


fig. 2

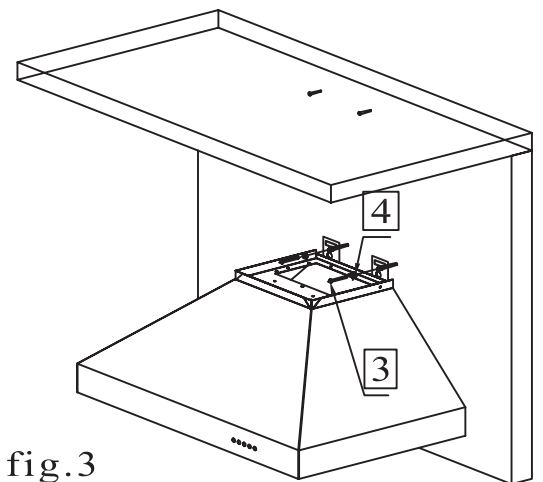


fig. 3

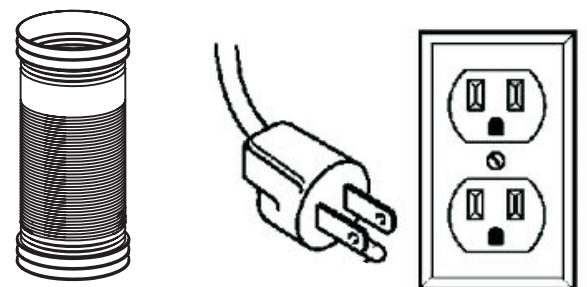


fig. 4

Step six: Mount the top chimney mounting bracket centering it above the hood. fig.5

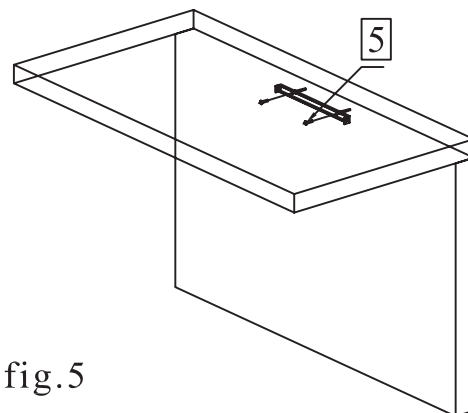


fig.5

Step seven: Install the 2 part chimneys on top of the hood by sliding the inside section up until the vertical vent slots are visible. Then put both pieces on top of the hood and secure the lower portion with the provided screw at the bottom. fig. 6

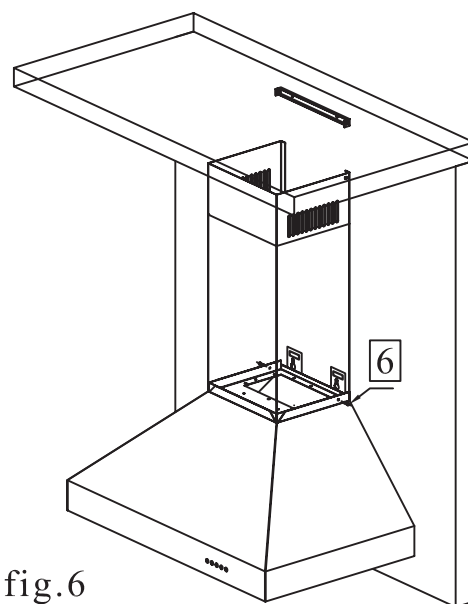


fig.6

Step 8: Slide the upper portion up and over the top mounting bracket aligning the holes and securing with the screws provided. fig. 7

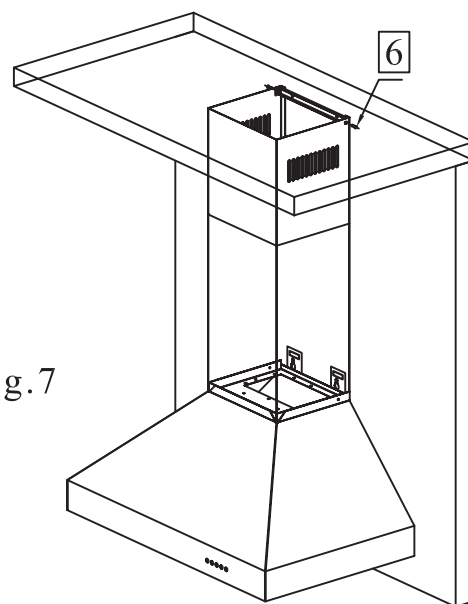


fig.7