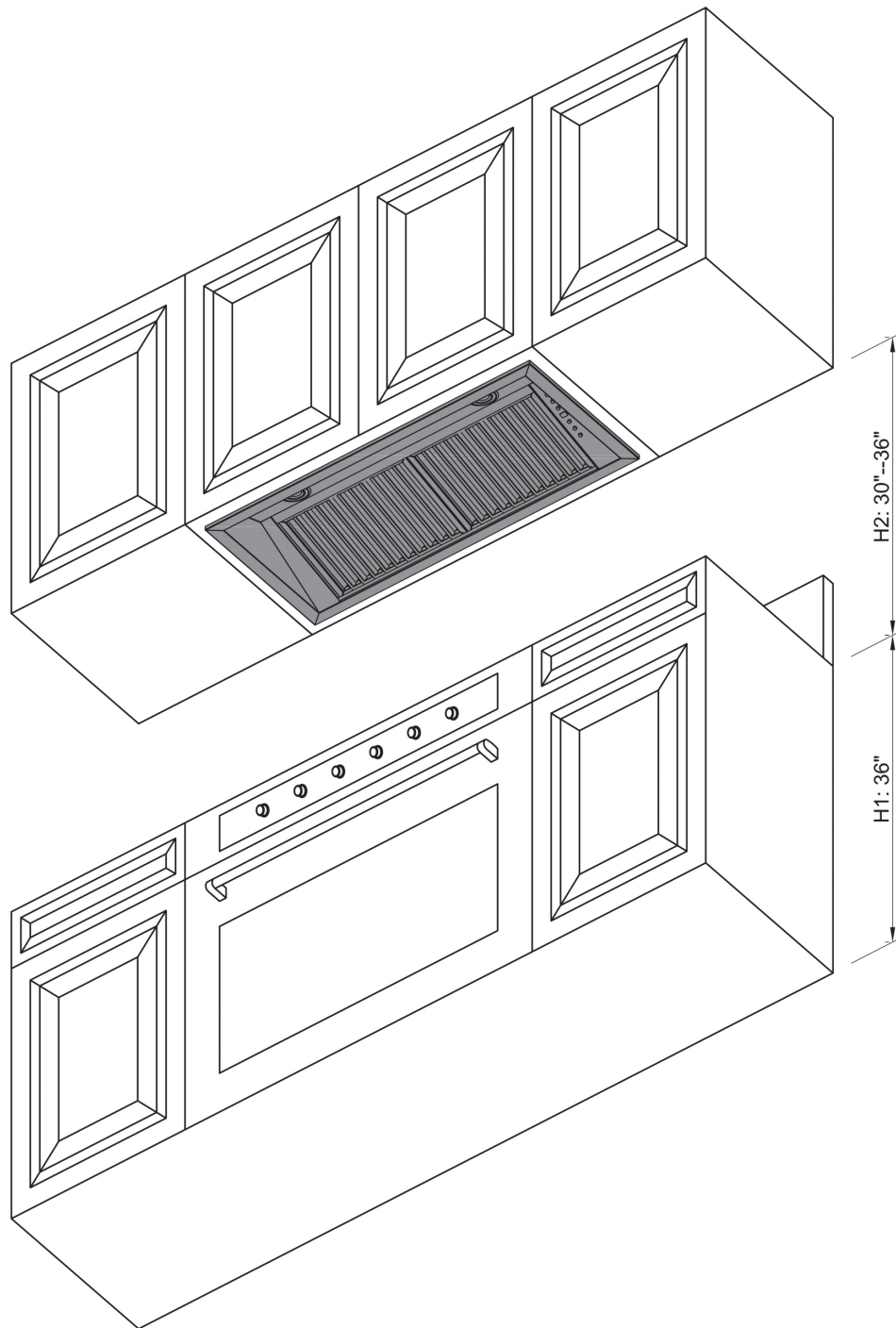


Range Hood Insert Installation



Installation
Tutorial Video



*When installing a range hood insert, it is recommended to install the unit at a minimum of 30" from the cooktop.

*For outdoor range hood inserts it is recommended to install the unit at a minimum of 36" from the grill top.

Range Hood Insert Installation

1

Unpack the contents of the hood. Attach transition piece and ducting to the top of the range hood insert. (Images 1 and 2)

2

Using L brackets and screws provided, attach L brackets to each side of the insert.

3

Lift the range hood insert into cabinet or custom hood structure.

4

Connect the insert to power.

Image 1

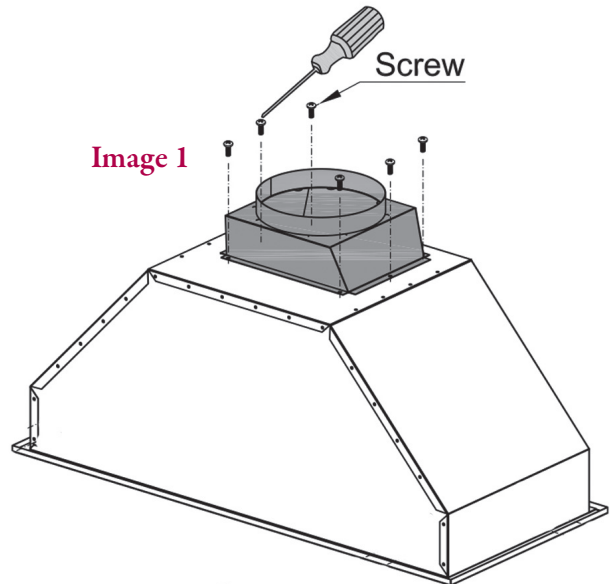


Image 2

