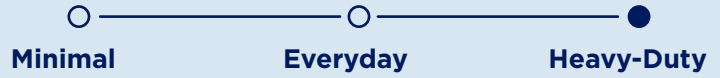




SUITABLE COOKING STYLE & FEATURES:



- 1000 CFM**
- POWERFUL SUCTION**
- 4 SPEED SETTING**
- TOUCH SCREEN PANEL**

PRO500 PRO-STYLE UNDER CABINET & WALL MOUNT SIZES: 30" 36"

PRODUCT DESCRIPTION



The PRO500 range hood, featuring HauSMART™ Technology for remote and smart home operation, offers quiet, efficient performance and versatile installation. Its sleek, versatile design with user-friendly controls, four-speed fan settings, and dishwasher-safe filters for hassle-free maintenance.

WHAT'S INCLUDED

7" duct adapter (1), grease collector (1), dishwasher-safe PRO-style baffle filters (2 baffle filters for the 30" / 3 baffle filters for the 36"), wood strip (1), mounting template (2), aluminum foil tape (1), and hardware parts.

OVERALL PRODUCT DIMENSIONS (WxDxH)

PRO500SS-30: 29-3/4" x 25" x 18"
PRO500SS-36: 35-3/4" x 25" x 18"

WARRANTY

2-Year Limited Warranty and Lifetime Warranty on Motor



FEATURES & BENEFITS

INNOVATIVE HAUSMART™ TECHNOLOGY:

Cutting-edge technology with voice command, hand gesture control for effortless and intuitive operation.

WHAT IS HAUSMART™ TECHNOLOGY

Hauslane's groundbreaking HauSMART™ technology enables seamless control through our smartphone app, hands-free gesture recognition, and voice commands compatible with Alexa and Google Home. Say hello to a new era of hassle-free cooking experiences!



SCAN THE QR CODE
Experience HauSMART™ in action



AESTHETIC DESIGN:

Characterized by clean lines and an ergonomic build, it is designed to minimize limitations and optimize the capabilities of any home chef.

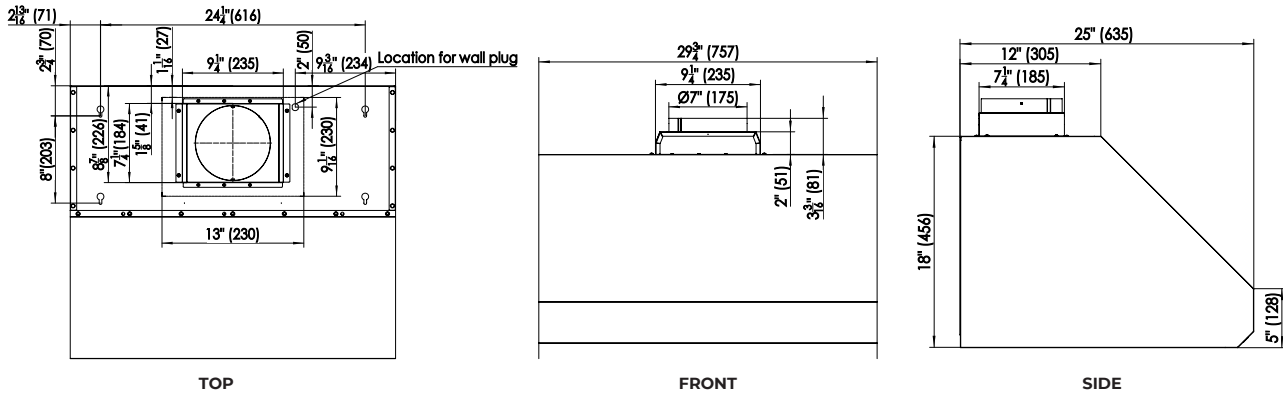
LOW NOISE OPERATION:

Equipped with a specialized AC motor engineered for minimal sound emission.

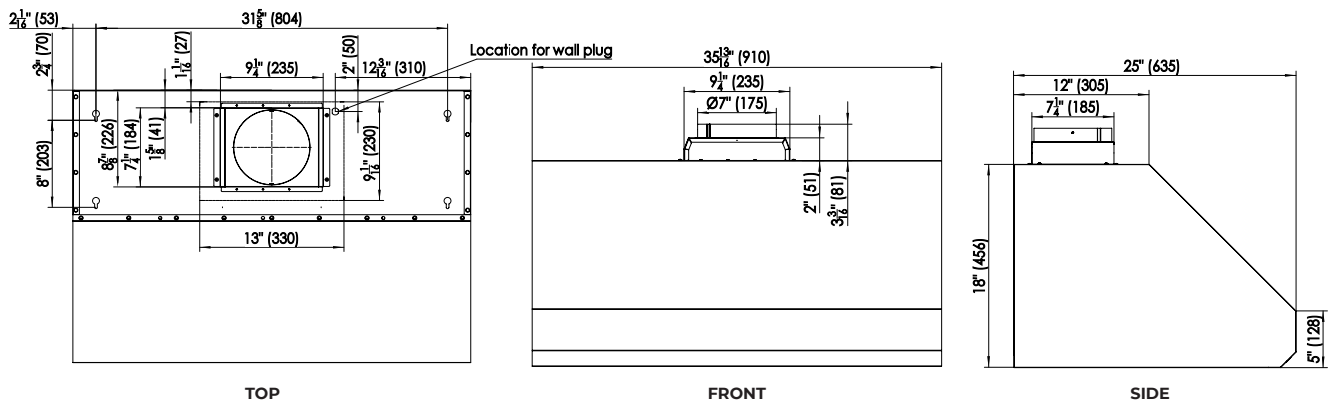
ENERGY-SAVING LED LIGHT STRIP:

Provides optimal visibility for your food preparation while contributing to a tastefully and relaxed atmosphere in your kitchen.

PRO500 30"



PRO500 36"



SPECIFICATIONS

SIZE	30" 36"	EQUIVALENT AIRFLOW	1000 CFM
STYLE	Under Cabinet	LABORATORY AIRFLOW	540 CFM
DUCTLESS	No	TOP VENTING	7" Round Duct
CLEANING FUNCTION	Yes	REAR VENTING	N/A
NOISE LEVEL	1.5 to 7.0 Sones	MOTOR	Single
LIGHT COLOR TEMP.	Warm / 3000 Kelvin	WATTAGE	340W
LIGHTING	12W LED Strip	VOLTAGE	120V
LIGHT INTENSITY	1 Level	CONNECTION	Plug-In
CONTROL	Touch Panel	NET WEIGHT	30": 75 LBS 36": 79 LBS
SPEED SELECTIONS	4 Levels	CUT-OUT DIMENSIONS (WxD)	For under cabinet: 12.9"W x 9"D (Follow provided mounting templates.)
CONVERTIBLE	N/A		