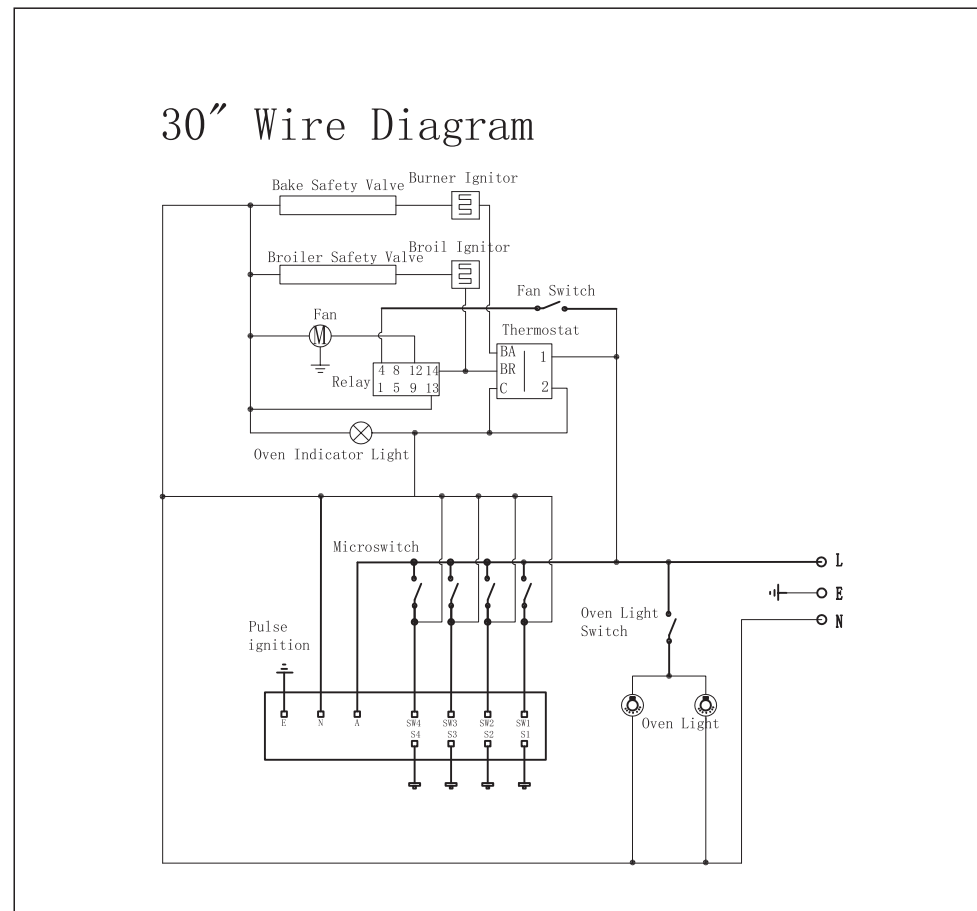


# Hallman BOLD Series 30-INCH WIRE CIRCUIT DIAGRAM



Technical parameter:

Size: **5.15" x 4.75"** (130x120 mm), Material: Asian silver attached to back panel of the product