



PERLICK

SELF-CONTAINED ICE MAKER

MODELS:

H50IMS-R

H50IMS-L

H50IMW

H50IMS-ADL

H50IMS-ADR

H50IMW-AD

PRODUCT MANUAL

IMPORTANT

This manual should be read carefully before the icemaker is installed and operated. Only qualified service technicians should install, service, and maintain the icemaker. Read the warnings contained in this booklet carefully as they give important information regarding safety. Please retain this booklet for any further reference that may be necessary.

CONTENTS

Important Safety Information	3
I. Specifications	4
A. Construction.....	4
B. Nameplate Rating	5
C. Dimensions/Connections	6
1. H50IMS-R, H-50IMS-L	6
2. H50IMW	7
3. H50IMS-ADL, H50IMS-ADR	8
4. H50IMW-AD	9
II. Installation and Operating Instructions	10
A. Checks Before Installation	10
B. Location	10
1. General	10
2. Built-In Installation Site.....	11
C. Door Overlay Panel Fabrication and Attachment (H50IMW, H50IMW-AD).....	12
D. Setup	20
E. Electrical Connection	20
F. Water Supply and Drain Connections	21
G. Final Checklist	22
H. Startup	23
III. Cleaning and Maintenance.....	24
A. Cleaning and Sanitizing Instructions.....	24
1. Cleaning Solution	24
2. Cleaning Procedure	24
3. Sanitizing Solution.....	26
4. Sanitizing Procedure	26
B. Maintenance	29
C. Preparing the Icemaker for Long Storage	30

Important Safety Information

Throughout this manual, notices appear to bring your attention to situations which could result in death, serious injury, or damage to the unit.

⚠ WARNING Indicates a hazardous situation which could result in death or serious injury.

CAUTION Indicates a situation which could result in damage to the unit.

IMPORTANT Indicates important information about the use and care of the unit.

⚠ WARNING

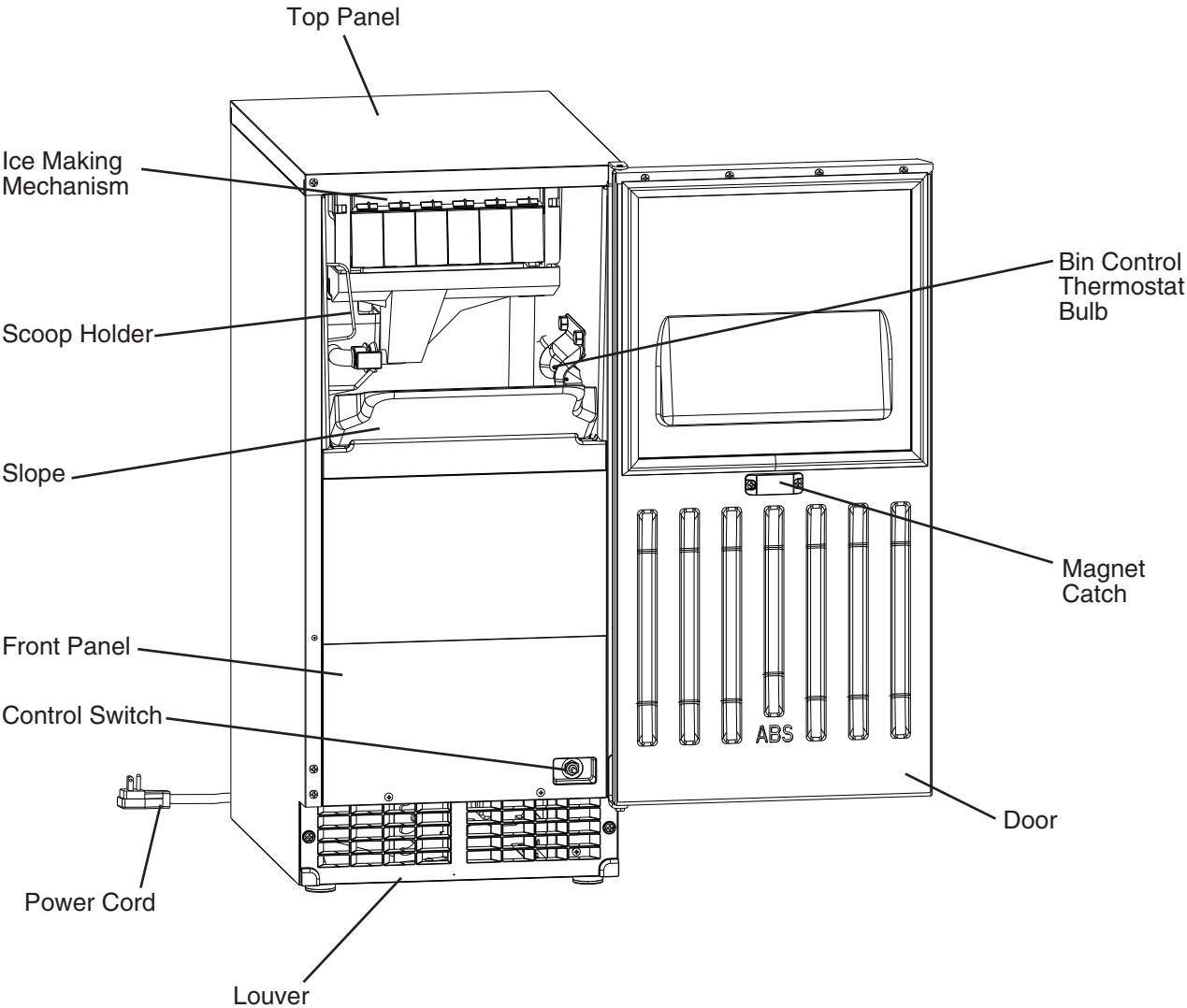
This icemaker should be destined only to the use for which it has been expressly conceived. Any other use should be considered improper and therefore dangerous. The manufacturer cannot be held responsible for eventual damage caused by improper, incorrect, and unreasonable use.

To reduce the risk of death, electric shock, serious injury, or fire, follow basic precautions including the following:

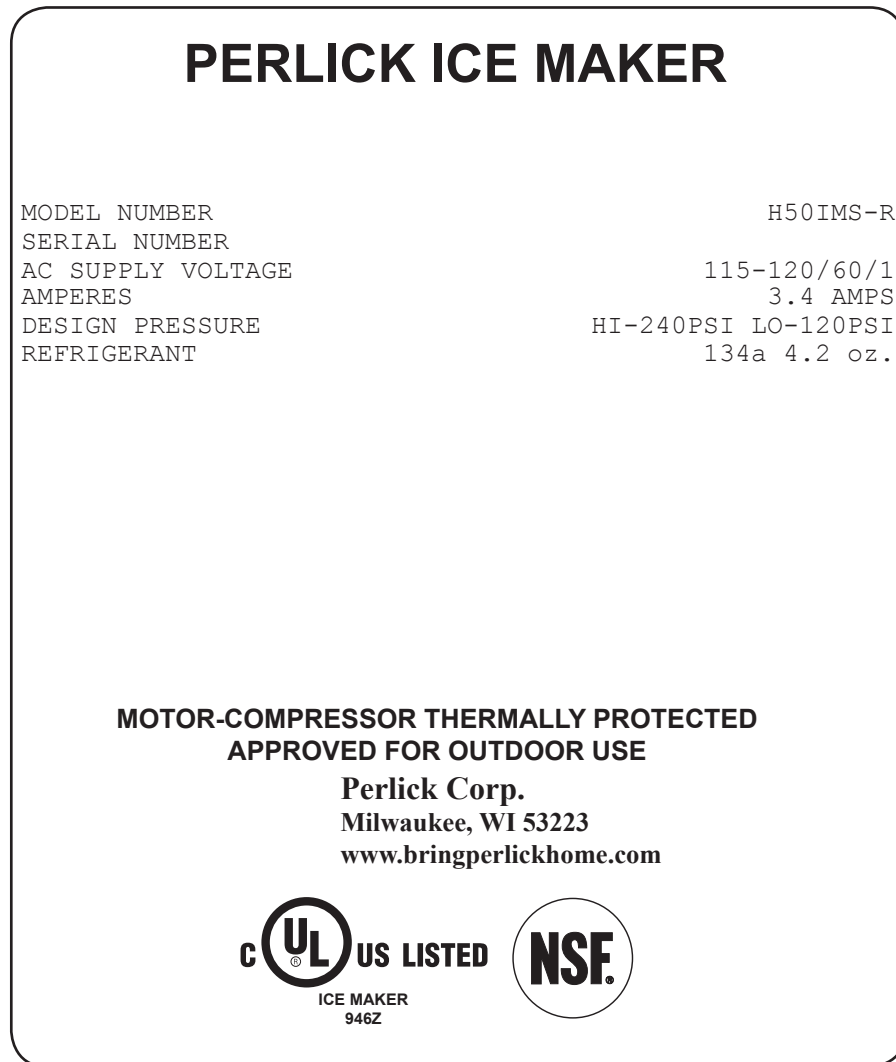
- This unit requires an independent power supply. See the nameplate for proper voltage and breaker/fuse size. Failure to use a proper breaker or fuse can result in a tripped breaker, blown fuse, or damage to existing wiring. This could lead to heat generation or fire.
- **THIS APPLIANCE MUST BE GROUNDED:** This unit is equipped with a 3-prong grounding plug to reduce the risk of potential shock hazards. It must be plugged into a properly grounded, independent wall outlet. If the outlet is a 2-prong outlet, it is your personal responsibility to have a qualified electrician replace it with a properly grounded, independent 3-prong wall outlet. Do not remove the ground prong from the power cord and do not use an adapter plug.
- Do not use an extension cord.
- Make sure the control switch is in the "OFF" position before plugging in or unplugging the unit to reduce the risk of electric shock.
- Do not use a unit with a damaged power cord. The power cord should not be altered, jerked, bundled, weighed down, pinched, or tangled. Such actions could result in electric shock or fire. To unplug the unit, be sure to pull the plug, not the cord, and do not jerk the cord.
- To reduce the risk of electric shock, do not touch the plug or control switch with damp hands.
- This unit should be disassembled or repaired only by qualified service personnel to reduce the risk of electric shock, injury, or fire.
- Do not make any alterations to the unit. Alterations could result in electric shock, injury, fire, or damage to the unit.

I. Specifications

A. Construction



B. Nameplate Rating



Note: Only the "MODEL NUMBER" is replaced for other models.

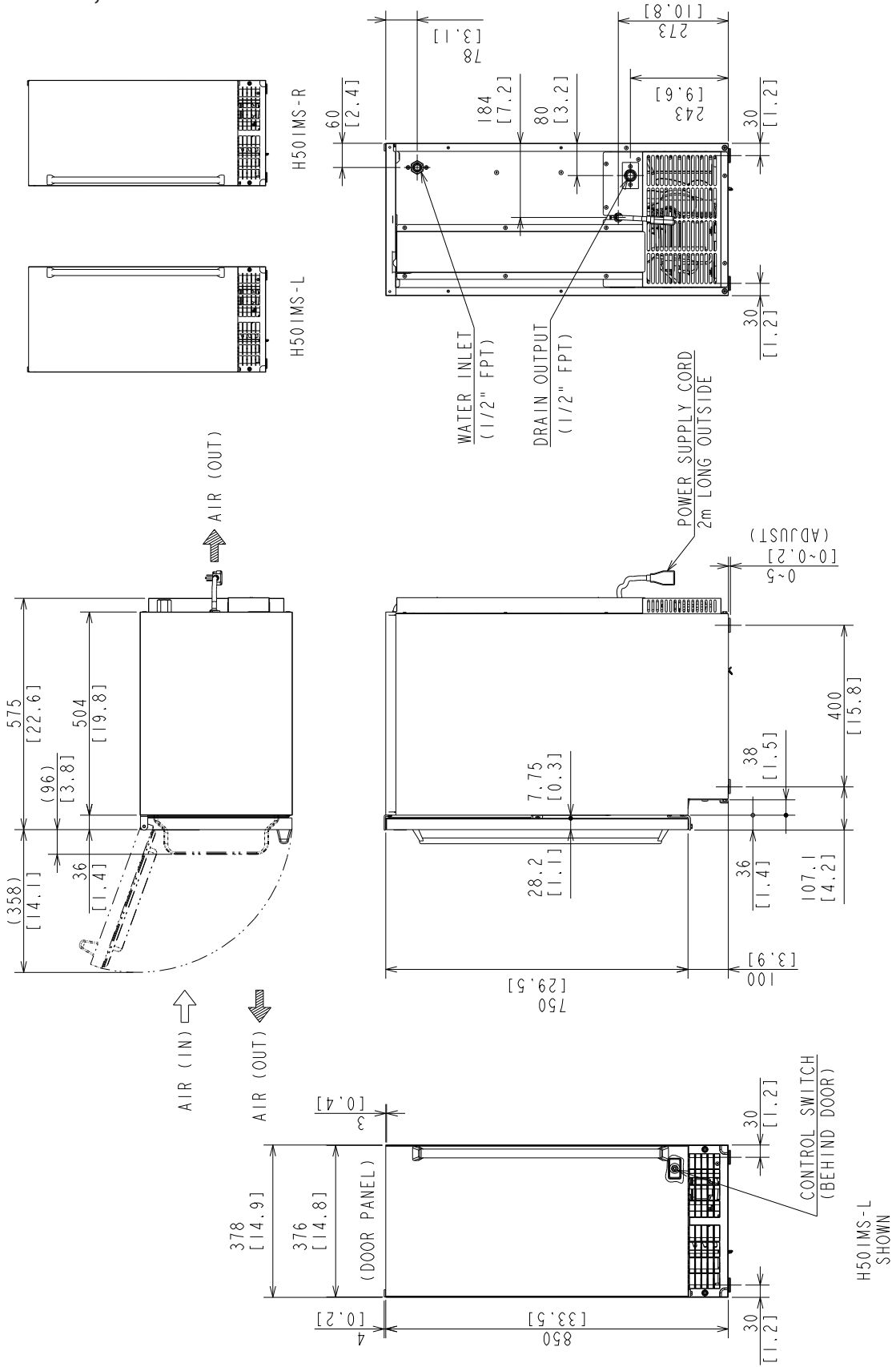
See the nameplate for electrical and refrigeration specifications. This nameplate is located inside the bin on the right side.

We reserve the right to make changes in specifications and design without prior notice.

C. Dimensions/Connections

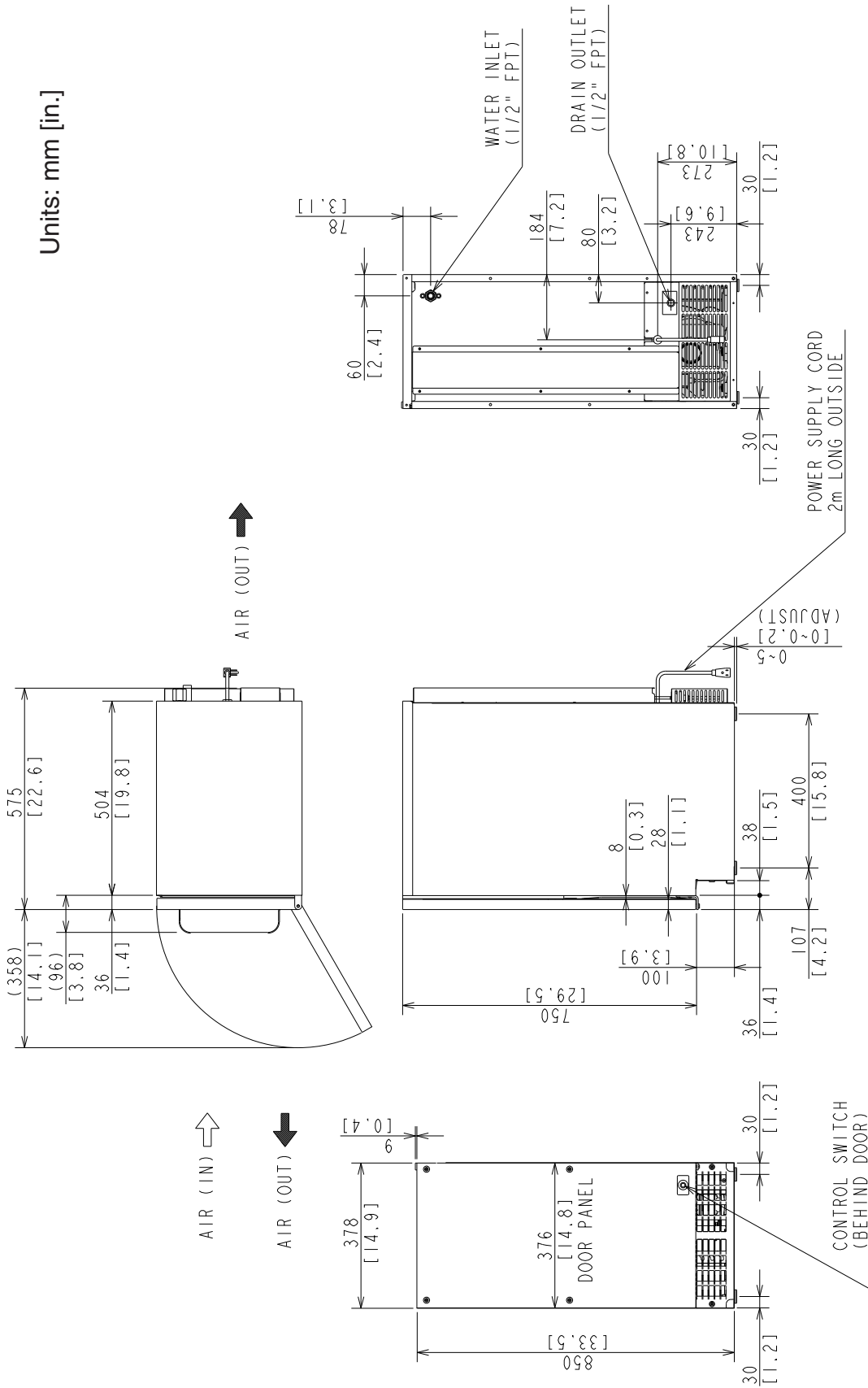
1. H50IMS-R, H-50IMS-L

Units: mm [in.]



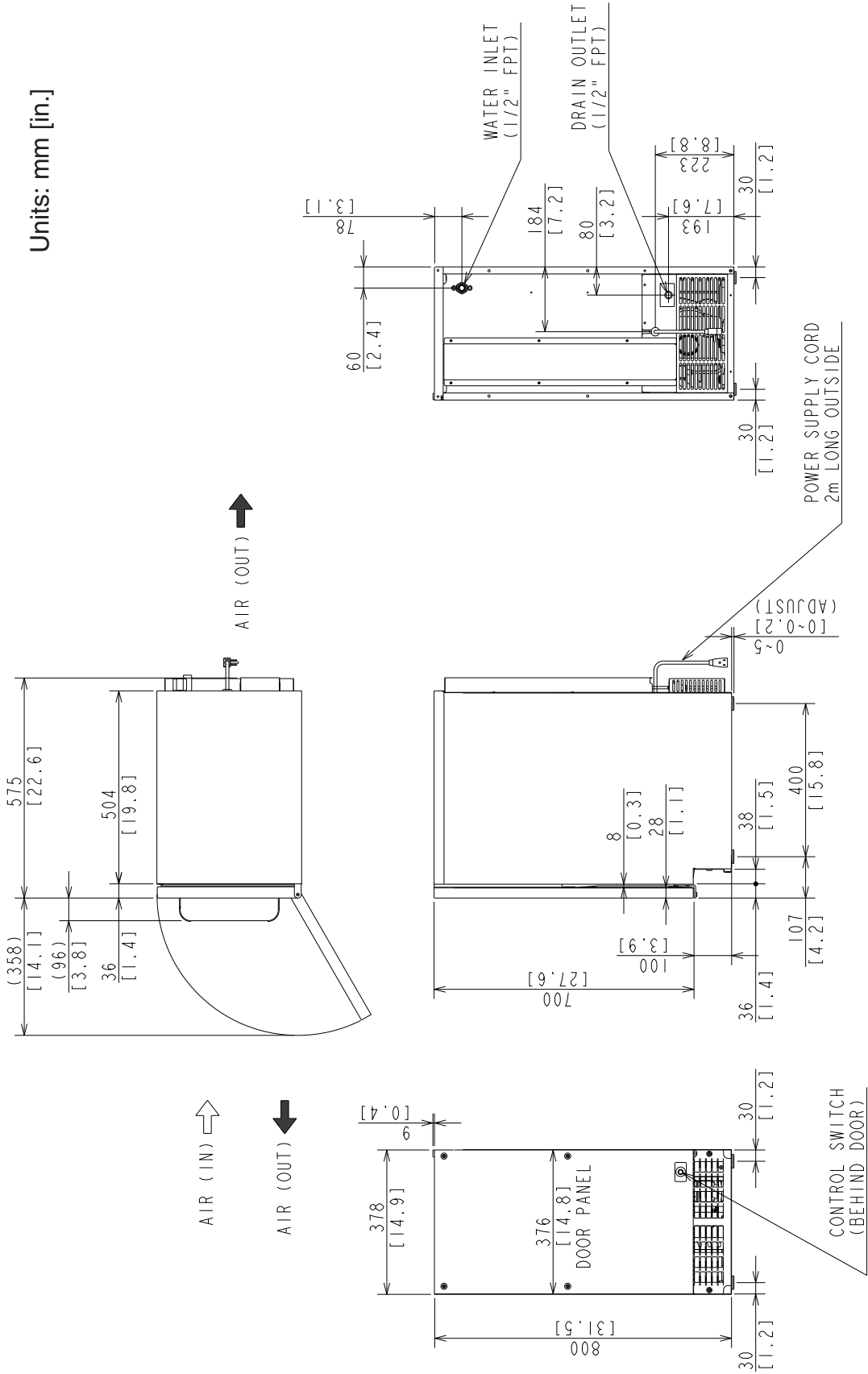
2. H50IMW

Units: mm [in.]



4. H50IMW-AD

Units: mm [in.]



II. Installation and Operating Instructions

⚠ WARNING

1. This icemaker must be installed in accordance with applicable national, state, and local regulations.
2. **CHOKING HAZARD:** Ensure all components, fasteners, and thumbscrews are securely in place after installation. Make sure that none have fallen into the storage bin.

A. Checks Before Installation

- Visually inspect the exterior of the shipping container and immediately report any damage to the carrier. Upon opening the container, any concealed damage should also be immediately reported to the carrier.
- Remove the shipping carton, tape, and packing material. If any are left in the icemaker, it will not work properly.
- Remove the package containing the accessories.
- Remove the protective plastic film from the panels. If the icemaker is exposed to the sun or to heat, remove the film after the icemaker cools.
- See the nameplate inside the bin on the right side, and check that your voltage supplied corresponds with the voltage specified on the nameplate.

B. Location

1. General

This icemaker is approved for indoor or outdoor use.

⚠ CAUTION

1. Normal operating ambient temperature should be within 45°F to 100°F (7°C to 38°C); Normal operating water temperature should be within 45°F to 95°F (7°C to 35°C). Operation of the icemaker, for extended periods, outside of these normal temperature ranges may affect icemaker performance.
2. This icemaker will not work at sub-freezing temperatures. To prevent damage to the water supply line, drain the icemaker if the air temperature is going to go below 32°F (0°C). See "III.C. Preparing the Icemaker for Long Storage."

For best operating results:

- The icemaker should not be located next to ovens, grills, or other high heat producing equipment.
- The location should provide a firm foundation for the icemaker.
- This icemaker requires no side or top clearance. But allow enough space at rear for water supply and drain connections and at least 15" (38 cm) clearance at front.

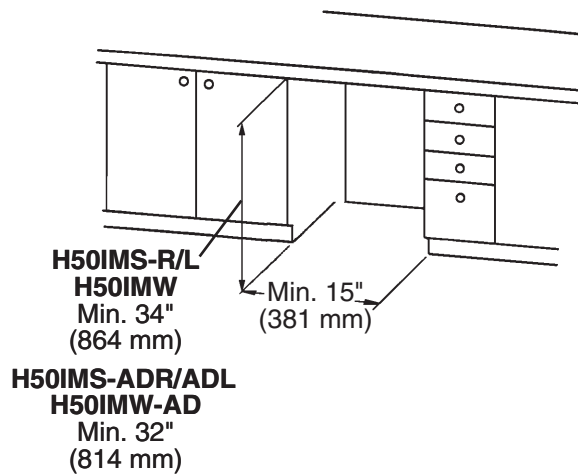
2. Built-In Installation Site

CAUTION

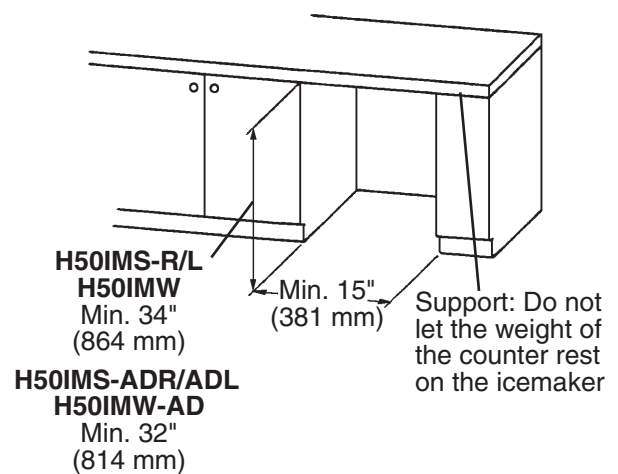
1. Do not let the weight of the counter rest on the icemaker.
2. Do not install the icemaker in a corner where the door will interfere with other equipment or where the icemaker cannot be pulled out for service.

Installation Space			
Model	Height	Width	Depth
H50IMS-R/L H50IMW	34" (864 mm) minimum	15" (381 mm) minimum	24" (610 mm) minimum
H50IMS-ADR/ADL H50IMW-AD	32" (814 mm) minimum		

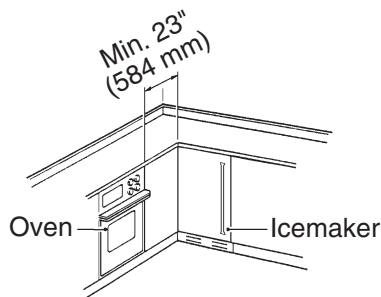
Between Two Cabinets



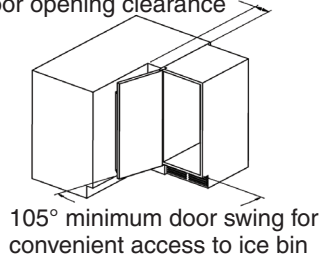
Between a Cabinet and the End of a Counter



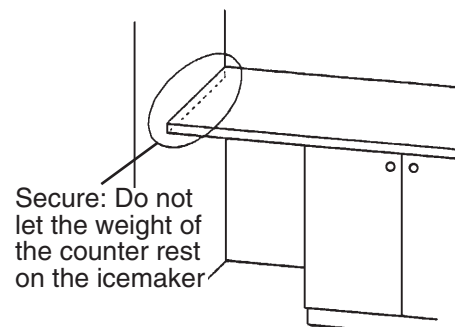
In a Corner



4 7/8" minimum distance from corner to achieve desired door opening clearance



Between a Cabinet and a Wall or Tall Cabinet



C. Door Overlay Panel Fabrication and Attachment (H50IMW, H50IMW-AD)

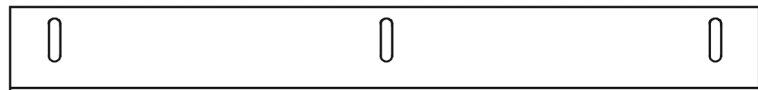
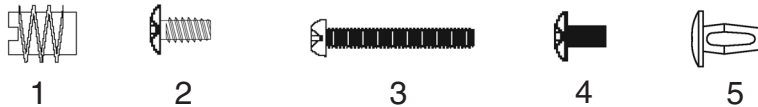
IMPORTANT

The overlay panel must be crafted by a professional cabinet maker to ensure quality results.

(1) Parts

Ensure that all parts required for the overlay panel assembly are contained in the accessories bag.

Overlay Panel Parts			
No.	Description	Part Number	Qty.
1	Threaded Wood Insert	4A4004-01	6
2	T2 Screw 4x8 SS	7P32-0408	3
3	Pan Head Screw M4x25 SS	7C12-0425	4
4	Truss Head Screw M4x8 SS	7C32-0408	2
5	Canoe Clip	4A0629-02	2
6	Sheet Metal Bracket	4A3998-01	1

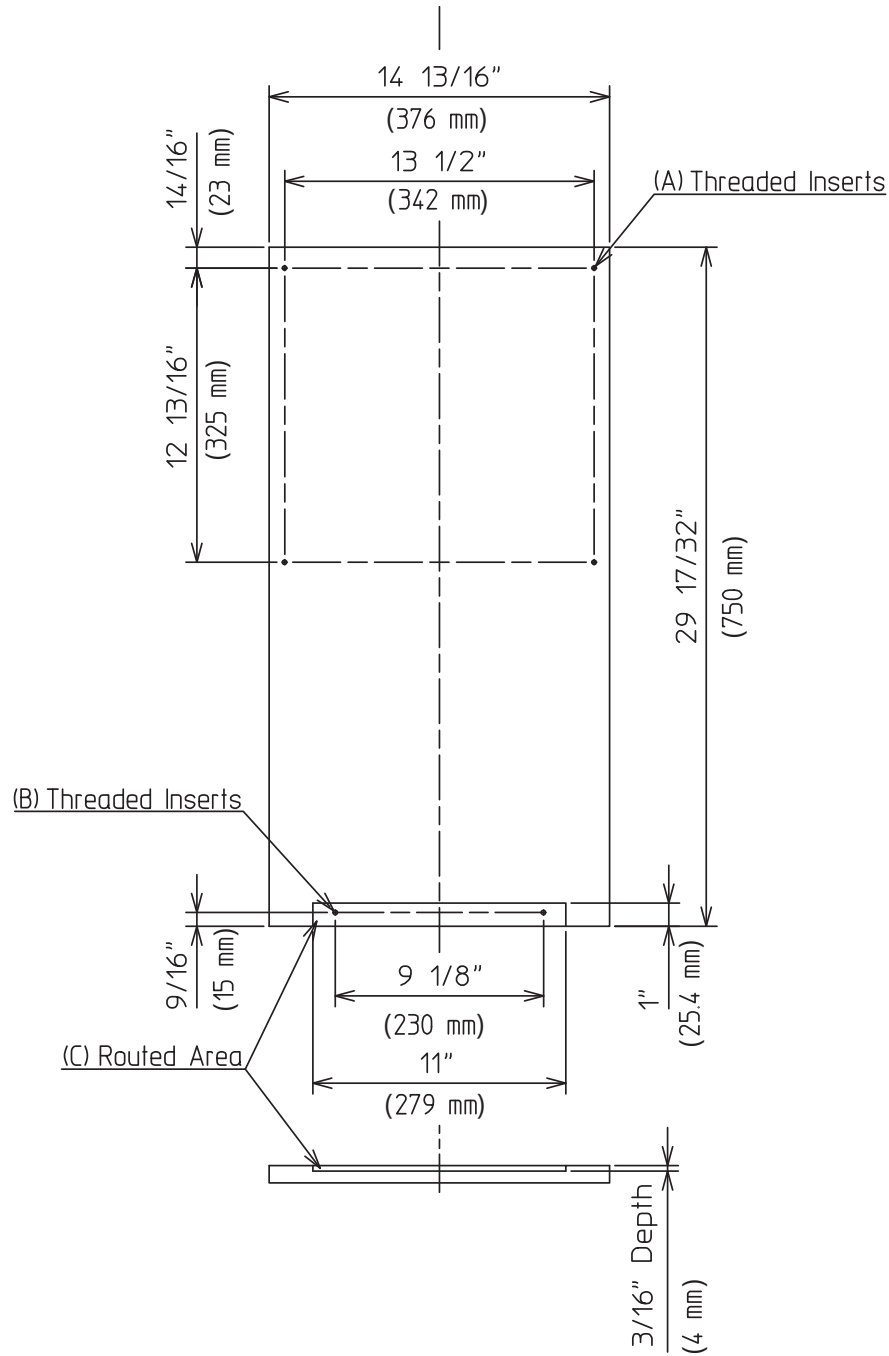


6

(2) Overlay Panel Specification

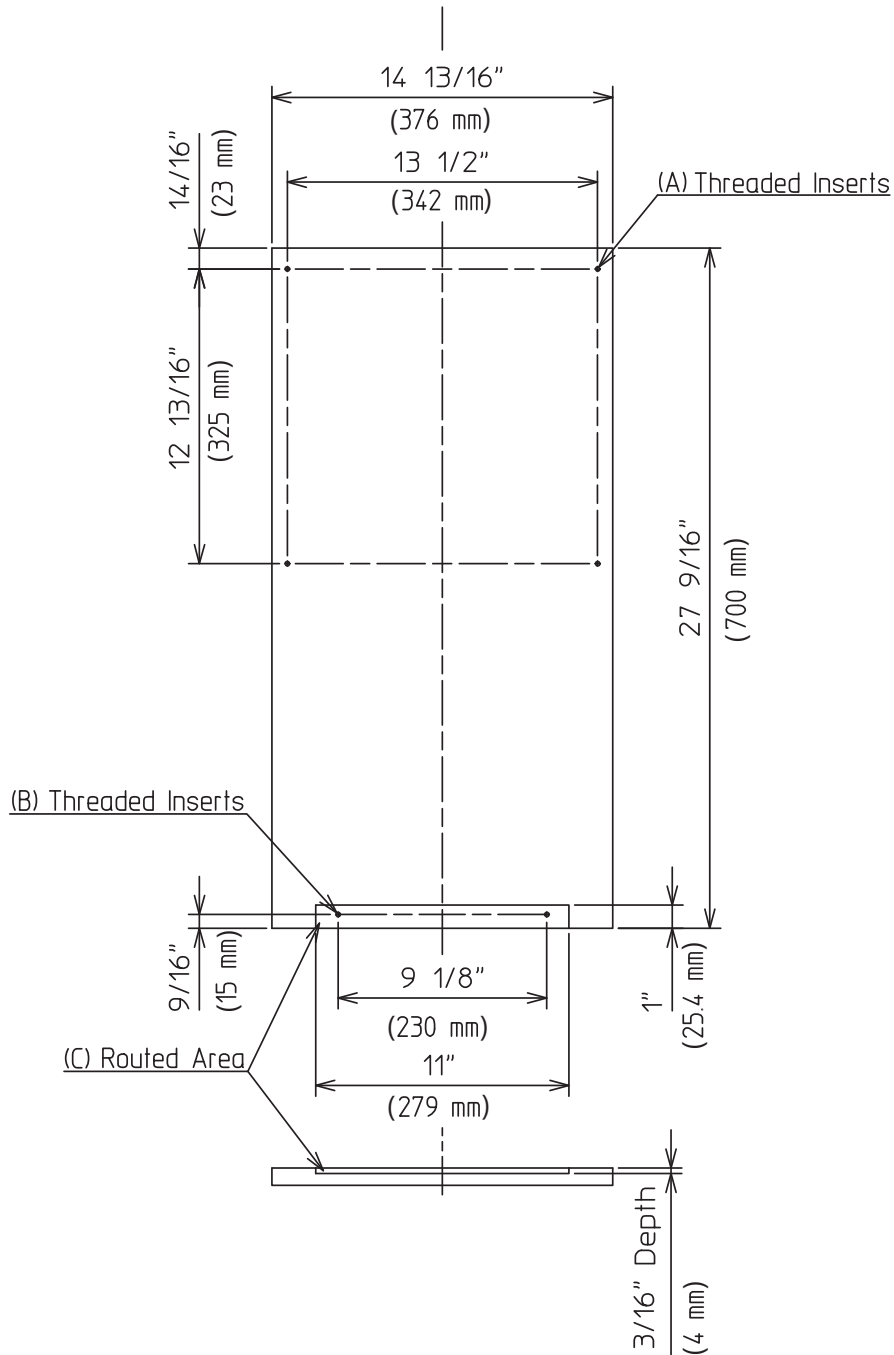
Use the specification that applies to your icemaker (H50IMW or H50IMW-AD) and the directions that follow to prepare your overlay panel.

(a) H50IMW



H50IMW Overlay Panel Specification	
Overlay Panel Height	29 17/32" (750 mm)
Overlay Panel Width	14 13/16" (376 mm)
Overlay Panel Thickness	5/8" (16 mm) minimum; 3/4" (19 mm) maximum
Overlay Panel and Door Weight (total)	20 lb. (9 kg) maximum

(b) H50IMW-AD



H50IMW-AD Overlay Panel Specification

Overlay Panel Height	27 9/16" (700 mm)
Overlay Panel Width	14 13/16" (376 mm)
Overlay Panel Thickness	5/8" (16 mm) minimum; 3/4" (19 mm) maximum
Overlay Panel and Door Weight (total)	20 lb. (9 kg) maximum

(3) Fabrication of Overlay Panel

Fabricate the overlay panel as outlined in the applicable specification on the previous pages and the instructions below.

- 1) Rout a channel at the bottom of the overlay panel to the proper dimensions. See "(C) Routed Area" in the specification diagram and Fig. 1.
- 2) Drill six 1/4" diameter (hardwood may require slightly larger diameter) holes 3/8" (10 mm) deep in the locations designated. See "(A) Threaded Inserts" and "(B) Threaded Inserts" in the specification diagram and Fig. 2.

CAUTION

Use care when drilling holes for mounting hardware. All drilled holes must be straight and drilled to the correct diameter and depth.

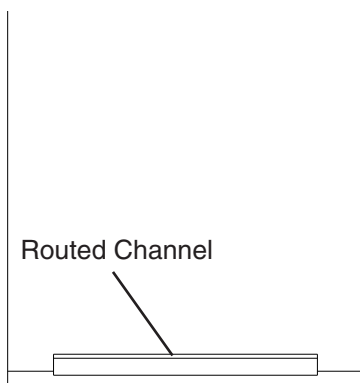


Fig. 1

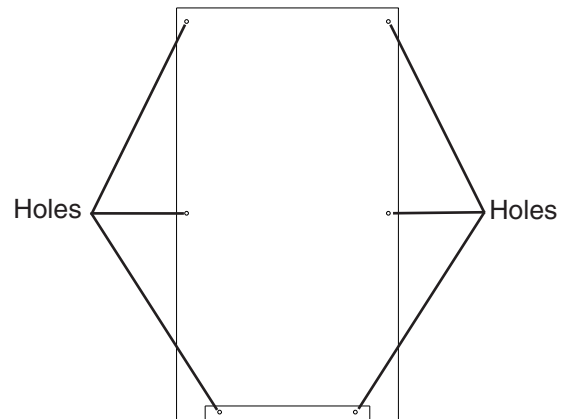


Fig. 2

- 3) Screw the 6 threaded wood inserts into the 1/4" holes drilled in the previous step. Make sure that the inserts are threaded straight and that the tops of the inserts are flush to the overlay panel surface. Otherwise, the overlay panel cannot be properly fastened to the door.
- 4) Mount the door handle hardware. Perlick recommends that the door handle hardware be mounted on the edge opposite of the door hinge side (optional hinge reversal is covered in step 6). Countersunk screw heads are required to ensure that the hardware fasteners do not interfere with the overlay panel fitting flush with the door.
- 5) While maintaining a hold on the door, remove the hinge stop pin from hinge (B). Pull out the bottom of the door slightly and gently remove the door from hinge (A). See Fig. 3. If you are leaving the door right-hinged, skip to step 7. If you would like to reverse the door hinges, proceed to step 6.

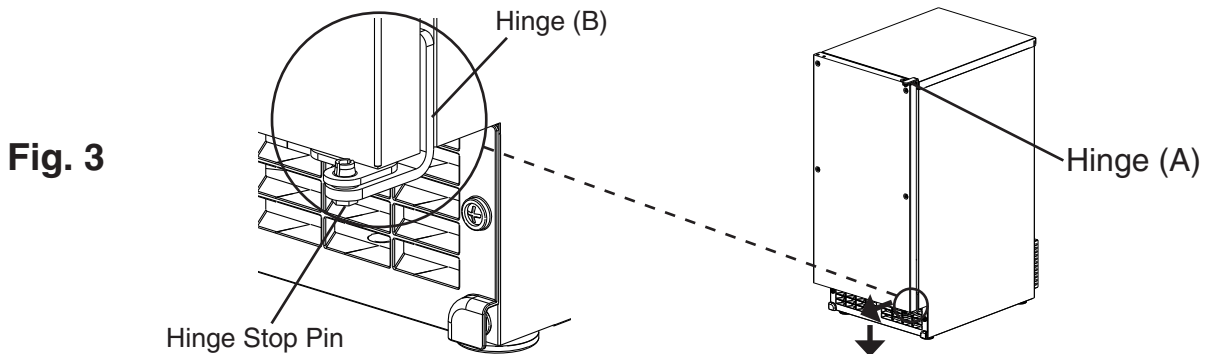


Fig. 3

6) If you would like to reverse the door hinges, do the following:

- a) Remove "hinge (A)-left" from the accessory bag.
- b) Remove the 2 screws securing the top panel, then lift it off. See Fig. 4.
- c) Remove hinge (A)-right and the bracket from the right side of the unit. Set aside hinge (A)-right; it is not needed. Remove the top brace from the left side. Fasten hinge (A)-left and the bracket to the left side and the top brace to the right side. See Fig. 5.

Note: When on the proper side, the gasket notch for hinge (A) is to the inside.

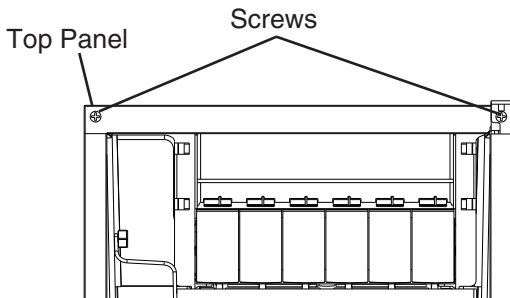


Fig. 4

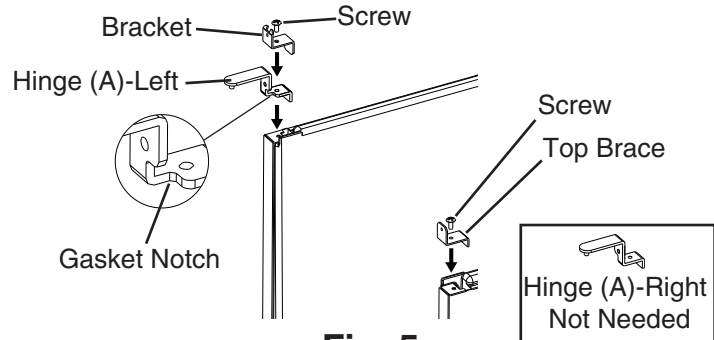


Fig. 5

d) Remove hinge (B) from the right side of the unit and the 2 filler screws from the left side. Attach the 2 filler screws to the right side and attach hinge (B) to the left side. See Fig. 6.

e) Rotate the top panel 180° from its previous position. This brings the notch that was previously in the right rear to the left front. See Fig. 7. Hook the rear part of the panel on the body, then secure the front with the 2 screws removed in step 6a.

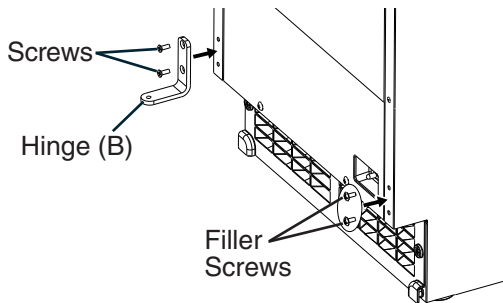


Fig. 6

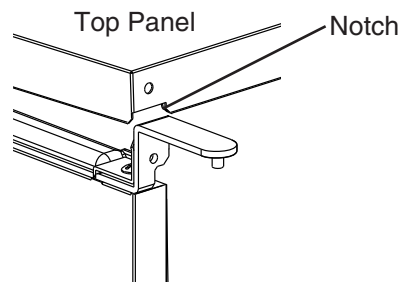


Fig. 7

f) Remove hinge (C1) from the top right part of the door, flip it and reattach to the bottom left. Remove hinge (C2) from the bottom right part of the door, flip it and reattach to the top left. See Fig. 8. Proceed to step 7.

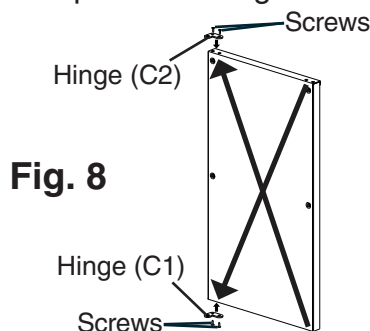


Fig. 8

- 7) Remove the bushings from hinge (C1) and hinge (C2) (the hinges attached to the door). See Fig. 9.
- 8) Remove the gasket from the door. See Fig. 10.

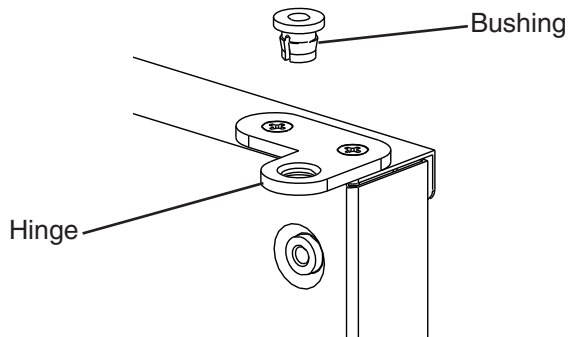


Fig. 9

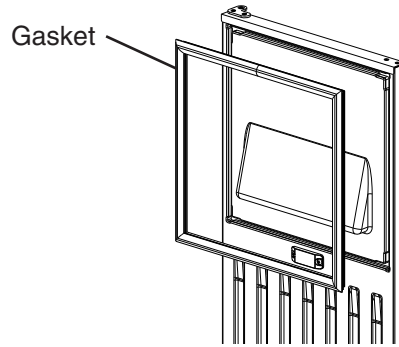


Fig. 10

- 9) Temporarily fasten the overlay panel to the door using 2 of the M4×25 pan head screws provided. See Fig. 11.

CAUTION
Ensure that the back surface of overlay panel is flat before attaching.

- 10) Mark the centerpoint of the hinge (C1) and hinge (C2) holes that extend over the overlay panel. See Fig. 12.

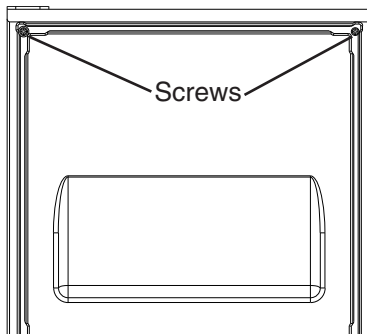


Fig. 11

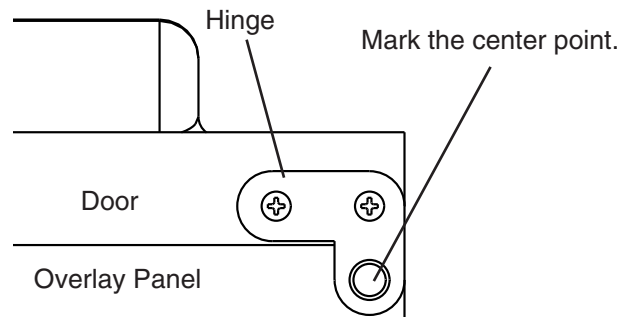


Fig. 12

- 11) Remove the overlay panel from the door.
- 12) Drill 3/8" diameter holes 1/4" (7 mm) deep where you marked on the overlay panel to accommodate the hinge (C1) and hinge (C2) bushings.

(4) Attachment of Overlay Panel to Door

- 1) Fasten the sheet metal bracket to the overlay panel using the two M4×8 truss head screws provided. **Snug the screws, but do not tighten.** See Fig. 13.
- 2) Temporarily fasten the overlay panel to the door using 2 of the M4×25 pan head screws provided. See Fig. 14.

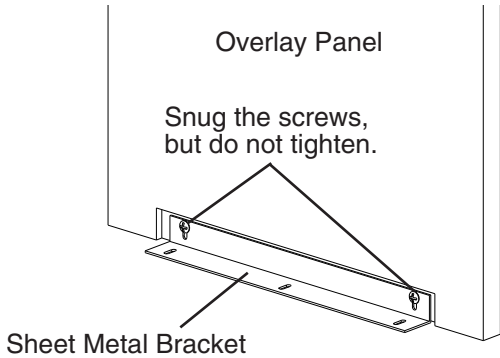


Fig. 13

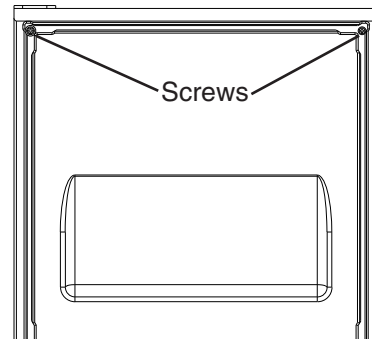


Fig. 14

- 3) Adjust the sheet metal bracket so that it is flush with the bottom of the door. See Fig. 15.
- 4) Remove the overlay panel from the door and tighten the two M4×8 truss head screws securing the sheet metal bracket to the overlay panel. See Fig. 16.

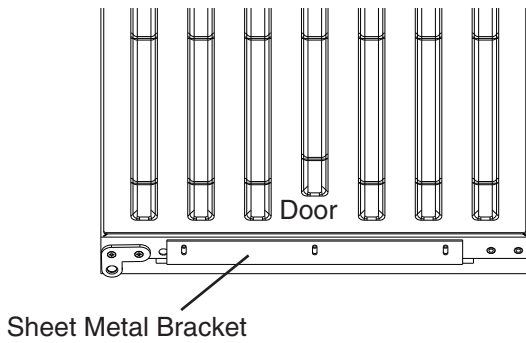


Fig. 15

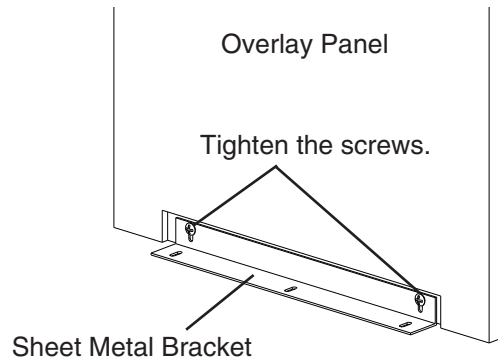


Fig. 16

- 5) Fasten the overlay panel to the door using the four M4×25 pan head screws provided. **Snug the screws, but do not tighten.** See Fig. 17.
- 6) Fasten the sheet metal bracket to the bottom of the door with the three T2 screws provided. Tighten the screws to the door. See Fig. 18.

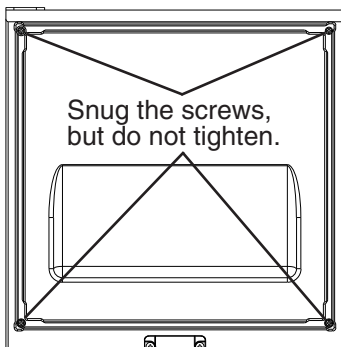


Fig. 17

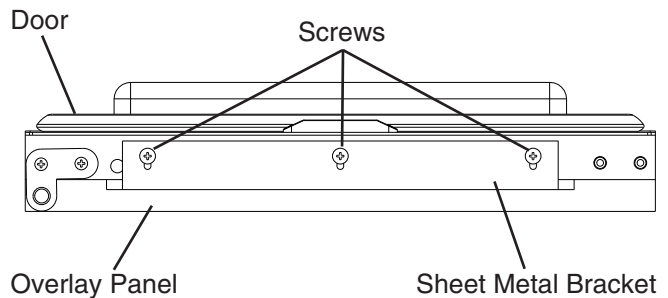


Fig. 18

7) Tighten the four M4x25 pan head screws installed in step 5. See Fig. 19.

8) Replace the door gasket in its proper orientation. Reinsert the bushings into hinge (C1) and hinge (C2) (the hinges attached to the door). See Fig. 20.

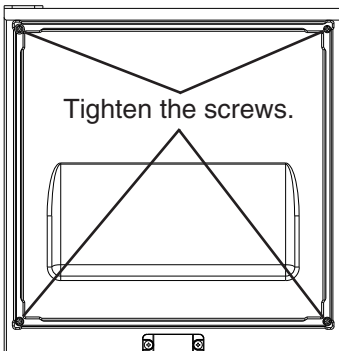


Fig. 19

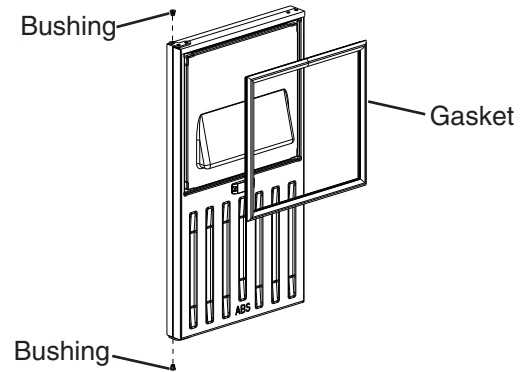


Fig. 20

9) Attach the door to hinge (A), then continue to maintain a hold on the door. Screw the hinge stop pin into hinge (B) until it is tight. See Fig. 21.

10) Insert the 2 canoe clips included in the accessory bag into the holes on top of the door. See Fig. 22.

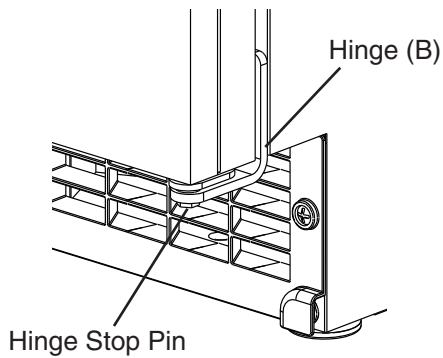


Fig. 21

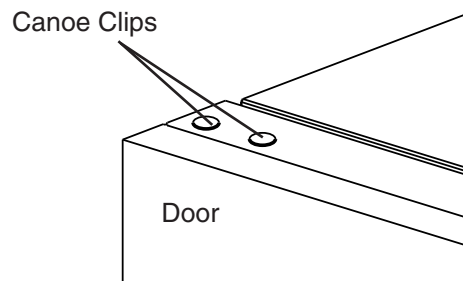


Fig. 22

D. Setup

- 1) Position the icemaker in the selected permanent location.
- 2) Level the icemaker from side-to-side and front-to-rear by adjusting the feet.

E. Electrical Connection

WARNING

1. Electrical connection must meet national, state, and local electrical code requirements. Failure to meet these code requirements could result in death, electric shock, serious injury, fire, or severe damage to equipment.
2. This unit requires an independent power supply. See the nameplate for proper voltage and breaker/fuse size. Failure to use a proper breaker or fuse can result in a tripped breaker, blown fuse, or damage to existing wiring. This could lead to heat generation or fire.
3. **THIS APPLIANCE MUST BE GROUNDED:** This unit is equipped with a 3-prong grounding plug to reduce the risk of potential shock hazards. It must be plugged into a properly grounded, independent wall outlet. If the outlet is a 2-prong outlet, it is your personal responsibility to have a qualified electrician replace it with a properly grounded, independent 3-prong wall outlet. Do not remove the ground prong from the power cord and do not use an adapter plug. Failure to follow these instructions may result in death, electric shock, or fire.
4. Do not use an extension cord.
5. Make sure the control switch is in the "OFF" position before plugging in or unplugging the unit to reduce the risk of electric shock.
6. Do not use a unit with a damaged power cord. The power cord should not be altered, jerked, bundled, weighed down, pinched, or tangled. Such actions could result in electric shock or fire. To unplug the unit, be sure to pull the plug, not the cord, and do not jerk the cord.
7. To reduce the risk of electric shock, do not touch the plug or control switch with damp hands.
8. The GREEN ground wire in the factory-installed power cord is connected to a screw on the rear panel where the cord enters the unit. If it becomes necessary to remove or replace the power cord, be sure to connect the power cord's ground wire to this screw upon reattachment.

- Usually an electrical permit and services of a licensed electrician are required.
- The maximum allowable voltage variation is ± 10 percent of the nameplate rating.
- For optional drain pump installation, refer to the instruction manual included with the pump.

F. Water Supply and Drain Connections

⚠ WARNING

1. Water supply and drain connections must be installed in accordance with applicable national, state, and local regulations.
2. Normal operating water temperature should be within 45°F to 95°F (7°C to 35°C). Operation of the icemaker, for extended periods, outside of this normal temperature range may affect icemaker performance.
3. To prevent damage to equipment, do not operate the icemaker when the water supply is off, or if the pressure is below 10 PSIG. Do not run the icemaker until the proper water pressure is reached.

- A plumbing permit and services of a licensed plumber may be required in some areas.
- External filters, strainers, or softeners may be required depending on water quality. Contact your local Perlick distributor for recommendations.
- Water supply inlet is 1/2" female pipe thread (FPT).
- A water supply line shut-off valve and drain valve should be installed. A minimum of 3/8" OD copper tubing is recommended for the water supply line.
- Water supply pressure should be a minimum of 10 PSIG and a maximum of 113 PSIG. If the pressure exceeds 113 PSIG, the use of a pressure reducing valve is required.
- Drain outlet is 1/2" FPT.
- Drain line should not be piped directly to the sewer system. An air gap of a minimum of 2 vertical inches (5 cm) should be between the end of the drain pipe from the icemaker and the floor drain.
- For gravity drain installation, drain must have 1/4" fall per foot (2 cm per 1 m) on horizontal runs to get good flow. A vented tee connection is also required for proper flow.
- For optional drain pump installation, refer to the instruction manual included with the pump.

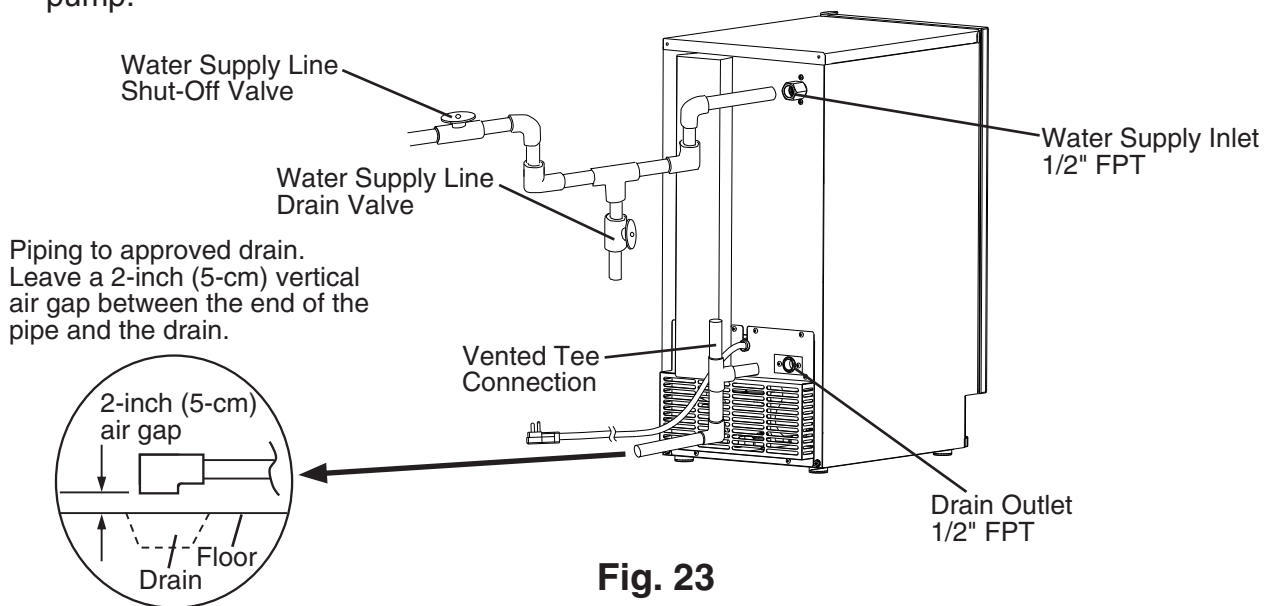


Fig. 23

G. Final Checklist

WARNING

CHOKING HAZARD: Ensure all components, fasteners, and thumbscrews are securely in place after installation. Make sure that none have fallen into the storage bin.

- 1) Is the icemaker level?
- 2) Is the icemaker in a site where the ambient temperature is within 45°F to 100°F (7°C to 38°C) and the water temperature within 45°F to 95°F (7°C to 35°C) all year around?
- 3) Have the shipping carton, tape, and packing material been removed from the icemaker?
- 4) Have all electrical and water connections been made? Do electrical and water connections meet all national, state, and local code and regulation requirements?
- 5) Has the power supply voltage been checked or tested against the nameplate rating? Is the power supply a properly grounded, independent wall outlet?
- 6) Are the water supply line shut-off valve and drain valve installed? Has the water supply pressure been checked to ensure a minimum of 10 PSIG and a maximum of 113 PSIG?
- 7) Are all components, fasteners, and thumbscrews securely in place?
- 8) Has the end user been given this instruction manual, and instructed on how to operate the icemaker and the importance of the recommended periodic maintenance?
- 9) Has the end user been given the name and telephone number of an authorized service agent?
- 10) Has the product registration card been filled out and forwarded to the factory for warranty registration?

H. Startup

⚠ WARNING

1. All parts are factory-adjusted. Improper adjustments may adversely affect safety, performance, component life, and warranty coverage.
2. If the icemaker is turned off, wait for at least 3 minutes before restarting the icemaker to prevent damage to the compressor.
3. At startup, confirm that all internal and external connections are free of leaks.

- 1) Open the water supply line shut-off valve.
- 2) Make sure the control switch is in the "OFF" position. Plug the unit into the electrical outlet. If you have to slide the unit back for a built-in installation, make sure you do not damage or pinch the water supply, drain connections, or power cord.
- 3) If required by sanitation code in your area, seal the perimeter where the machine touches the floor with approved caulk compound in a smooth and easily cleanable manner.
- 4) Move the control switch to the "ICE" position and allow the icemaker to operate for 2 minutes. This allows the water tank to fill.
- 5) Move the control switch to the "OFF" position.
- 6) Inside the storage bin, disconnect the suction tube by squeezing the tabs and pulling the tube clear. See Fig. 24. Allow the water tank to drain.
- 7) Reconnect the suction tube as illustrated. See Fig. 25. Make sure the tabs lock into place; a loose fitting may cause a water leak.

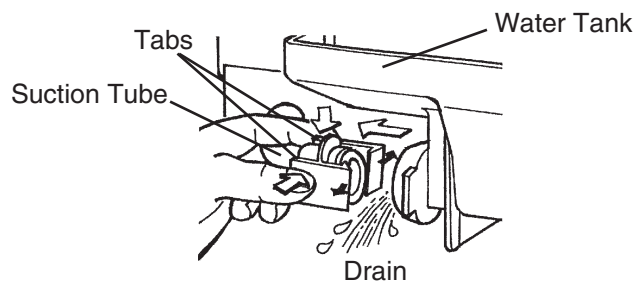


Fig. 24

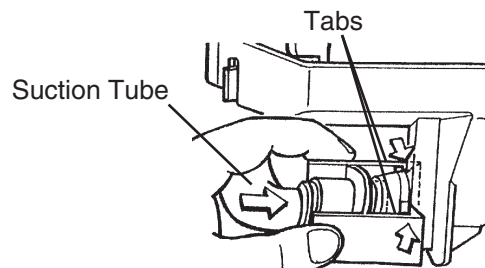


Fig. 25

- 8) Clean the storage bin liner, door liner, and door gasket using a neutral cleaner. Rinse thoroughly after cleaning.
- 9) Move the control switch to the "ICE" position to start the automatic icemaking process.
- 10) To confirm bin control operation, hold ice in contact with the bin control thermostat bulb. The icemaker should stop within 10 seconds.

III. Cleaning and Maintenance

⚠ WARNING

1. **CHOKING HAZARD:** Ensure all components, fasteners, and thumbscrews are securely in place after any cleaning or maintenance is done to the unit. Make sure that none have fallen into the storage bin.
2. The storage bin is for ice use only. Do not store anything else in the storage bin.
3. Keep the area around the icemaker clean. Dirt, dust, or insects in the unit could cause electrical damage to the equipment or harm to individuals.

A. Cleaning and Sanitizing Instructions

Perlick recommends cleaning and sanitizing this unit at least once a year. More frequent cleaning and sanitizing, however, may be required in some existing water conditions.

⚠ WARNING

1. To prevent injury to individuals and damage to the icemaker, do not use ammonia type cleaners.
2. Carefully follow any instructions provided with the bottles of cleaning and sanitizing solution.
3. Always wear liquid-proof gloves and goggles to prevent the cleaning and sanitizing solutions from coming into contact with skin or eyes.
4. After cleaning and sanitizing, be careful not to leave any cleaning or sanitizing solution in the icemaker.

1. Cleaning Solution

IMPORTANT

For safety and maximum effectiveness, use the solution immediately after dilution.

Dilute 4 fl. oz. (118 ml or 8 tbs) of recommended cleaner "Liquid Ice Machine Cleaner" Part No. 4207-32 (Nu-Calgon) with 1 gallon (3.8 l) of warm water. This is a minimum amount. Make more solution if necessary. It is recommended that cleaning be performed by a qualified service technician.

2. Cleaning Procedure

- 1) Remove all ice from the evaporator and the storage bin.
Note: To remove cubes on the evaporator, move the control switch to the "OFF" position and then move it back to the "ICE" position after 3 minutes. The harvest cycle starts and the cubes will be removed from the evaporator.
- 2) Move the control switch to the "OFF" position.

- 3) Inside the storage bin, disconnect the suction tube by squeezing the tabs and pulling the tube clear. See Fig. 26. Allow the water tank to drain.
- 4) Reconnect the suction tube as illustrated. See Fig. 27. Make sure the tabs lock into place; a loose fitting may cause a water leak.

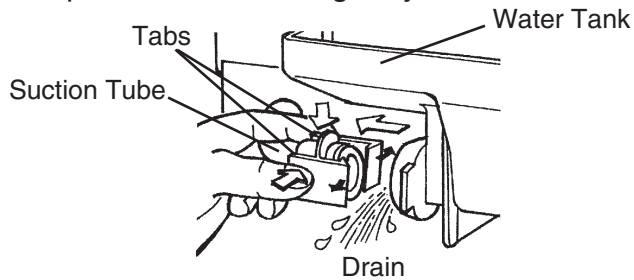


Fig. 26

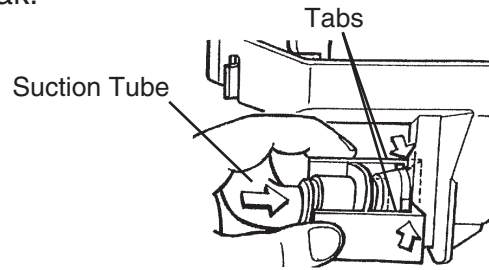


Fig. 27

- 5) Slowly pour the cleaning solution into the water tank.
- 6) Move the control switch to the "WASH" position.
- 7) Allow the cleaning solution to circulate for 30 minutes, then move the control switch to the "OFF" position.
- 8) Disconnect the suction tube. Allow the water tank to drain, then reconnect the suction tube.
- 9) Move the control switch to the "ICE" position and allow the icemaker to operate for 2 minutes. This allows the water tank to fill with water.
- 10) Move the control switch to the "WASH" position.
- 11) Allow the water to circulate for 5 minutes, then move the control switch to the "OFF" position.
- 12) Disconnect the suction tube. Allow the water tank to drain, then reconnect the suction tube.
- 13) Repeat steps 9 through 12 three more times to rinse thoroughly.

3. Sanitizing Solution

IMPORTANT

For safety and maximum effectiveness, use the solution immediately after dilution.

Dilute 0.5 fl. oz. (14.8 ml or 1 tbs) of a 5.25% sodium hypochlorite solution (chlorine bleach) with 1 gallon (3.8 l) of warm water. This is a minimum amount. Make more solution if necessary. Using a chlorine test strip or other method, confirm that you have a concentration of about 200 ppm.

4. Sanitizing Procedure

- 1) Make sure the control switch is in the "OFF" position and the storage bin is empty.
- 2) Remove the slope from the storage bin by carefully bending it in the center and releasing it from the 2 slope shafts. See Fig. 28.
- 3) Remove each separator by lifting it to the horizontal position and pushing it hard inward. See Fig. 29.

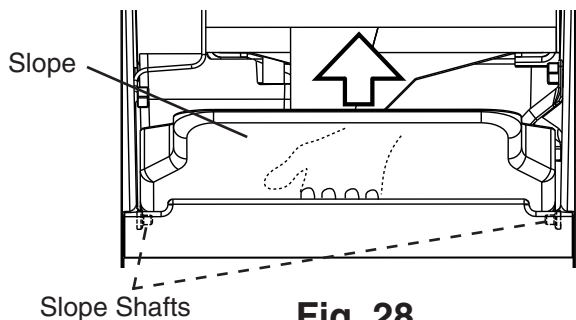


Fig. 28

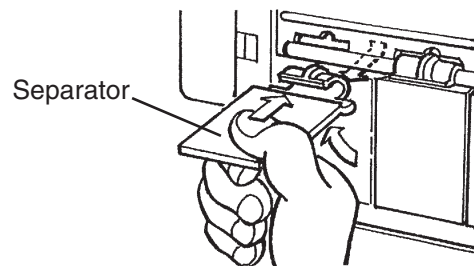


Fig. 29

- 4) Disconnect the suction tube. Allow the water tank to drain.
- 5) Spread out the tabs to unlock the water tank, then slide it out. See Fig. 30.
- 6) Lift off the ice chute from the front frame pipe and then from the rear frame pipe. See Fig. 31.

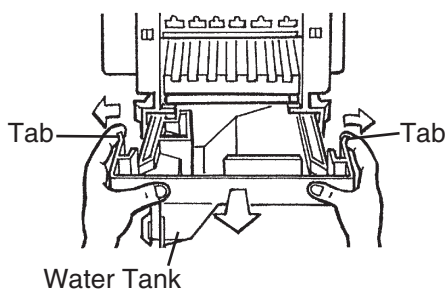


Fig. 30

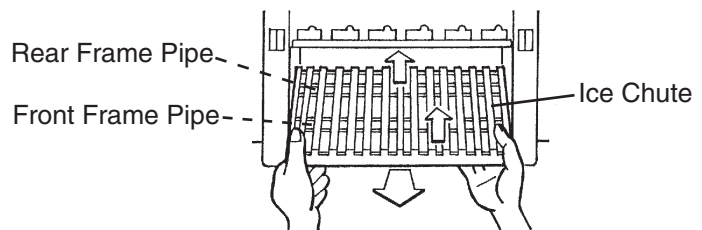


Fig. 31

7) Disconnect the discharge tube from the spray assembly, then slide out the spray assembly. See Fig. 32.

8) Remove the two caps. See Fig. 33.

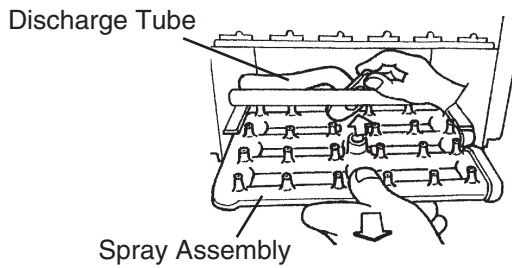


Fig. 32

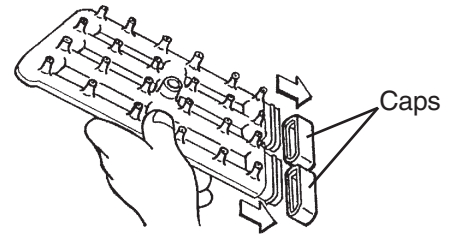


Fig. 33

9) Soak all of the removed parts and the scoop in the sanitizing solution for 10 minutes. If the spray assembly nozzles are clogged, clean them with a wire or a suitable brush.

10) Rinse the parts thoroughly with clean water.

11) Refit the 2 caps in their correct positions. Make sure the reducing pipe is in place in the center. See Fig. 34.

12) Slide in the spray assembly along the rails on the left and right brackets. See Fig. 35. Connect the discharge tube securely to the spray assembly; a loose fitting may cause a water leak.

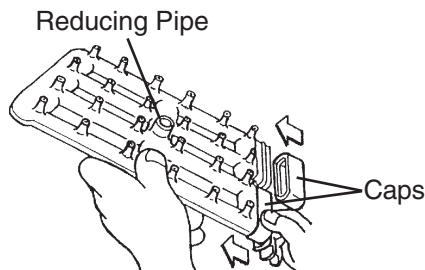


Fig. 34

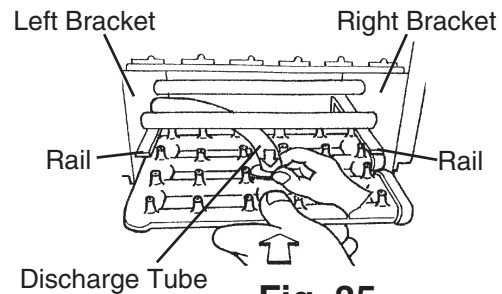


Fig. 35

13) Position and lock the ice chute onto the front and rear frame pipes by pushing the ice chute down until it clicks onto both frame pipes. See Fig. 36.

14) Slide in the water tank along the rails at the bottom of the left and right brackets until it locks into place. See Fig. 37.

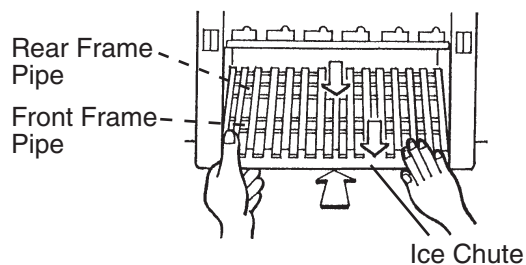


Fig. 36

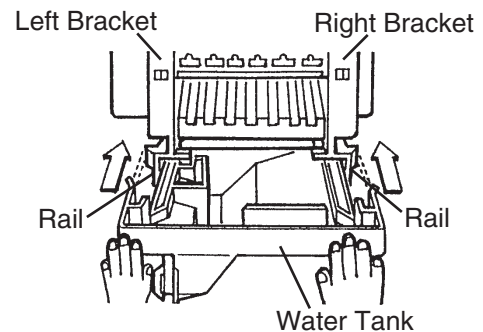


Fig. 37

- 15) Reconnect the suction tube.
- 16) Hook each separator onto the rail, then pull it hard towards you until it locks into place. See Fig. 38.
- 17) Replace the slope in its correct position. See Fig. 39.

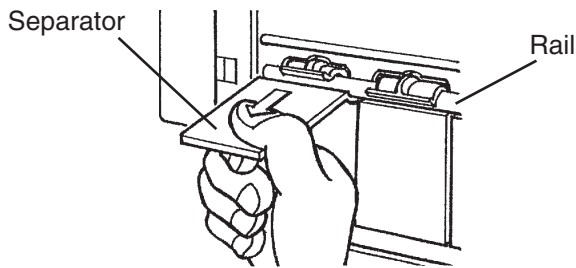


Fig. 38

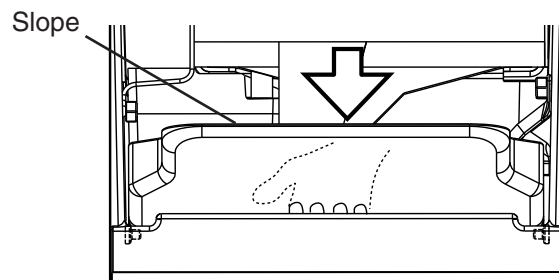


Fig. 39

- 18) Discard the sanitizing solution.
- 19) Mix a new batch of the sanitizing solution and slowly pour it into the water tank.
- 20) Move the control switch to the "WASH" position.
- 21) After circulating the sanitizing solution for 15 minutes, move the control switch to the "OFF" position.
- 22) Disconnect the suction tube. Allow the water tank to drain, then reconnect the suction tube.
- 23) Repeat steps 19 through 22 one time.
- 24) Move the control switch to the "ICE" position and allow the icemaker to operate for 2 minutes. This allows the water tank to fill with water.
- 25) Move the control switch to the "WASH" position.
- 26) Allow the water to circulate for 5 minutes, then move the control switch to the "OFF" position.
- 27) Disconnect the suction tube. Allow the water tank to drain, then reconnect the suction tube.
- 28) Repeat steps 24 through 27 two more times to rinse thoroughly.
- 29) Clean the storage bin liner, door liner, and door gasket with a neutral cleaner. Rinse thoroughly after cleaning.
- 30) Move the control switch to the "ICE" position to start the automatic icemaking process.

B. Maintenance

IMPORTANT

This icemaker must be maintained individually, referring to the instruction manual and labels provided with the icemaker.

1. Stainless Steel Exterior

To prevent corrosion, wipe the exterior occasionally with a clean and soft cloth. Use a damp cloth containing a neutral cleaner to wipe off oil or dirt build up.

2. Storage Bin and Scoop

- Wash your hands before removing ice. Use the plastic scoop provided.
- The storage bin is for ice use only. Do not store anything else in the storage bin.
- Clean the scoop and the storage bin liner using a neutral cleaner. Rinse thoroughly after cleaning.

3. Condenser

Check the condenser once a year, and clean if required by following the steps below. More frequent cleaning may be required depending on location.

⚠ WARNING

1. Move the control switch to the "OFF" position and unplug the unit from the electrical outlet before cleaning the condenser.
2. Condenser fins are sharp. Use care when cleaning.

1) Move the control switch to the "OFF" position and unplug the unit from the electrical outlet.

2) Remove the 2 screws securing the front panel, then remove the panel. See Fig. 40.

3) Remove the 2 screws securing the louver, then remove the louver.

4) Use a brush attachment on a vacuum cleaner to gently clean the condenser fins. Do not use too much force, otherwise the fins could be damaged.

5) Replace the louver and front panel in their correct positions. Ensure that the screws are securely in place.

6) Plug the unit back in. Move the control switch to the "ICE" position to start the automatic icemaking process.

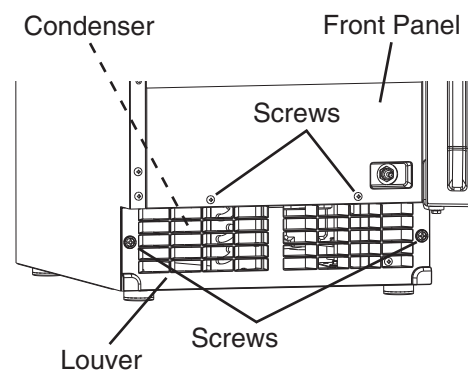


Fig. 40

C. Preparing the Icemaker for Long Storage

CAUTION

When storing the icemaker for an extended time or in sub-freezing temperatures, follow the instructions below to prevent damage.

When the icemaker is not used for two or three days under normal conditions, it is sufficient to move the control switch to the "OFF" position. When storing the icemaker for an extended time or in sub-freezing temperatures, follow the instructions below.

- 1) Close the water supply line shut-off valve, then open the water supply line drain valve. See Fig. 23.
- 2) Allow the line to drain by gravity.
- 3) Attach a compressed air or carbon dioxide supply to the icemaker water supply line drain.
- 4) Move the control switch to the "ICE" position.
- 5) Blow the icemaker water supply line out using the compressed air or carbon dioxide supply.
- 6) Close the icemaker water supply line drain valve.
- 7) Move the control switch to the "OFF" position.
- 8) Unplug the icemaker.
- 9) Remove all ice from the storage bin. Clean the storage bin liner using a neutral cleaner. Rinse thoroughly after cleaning.

PERLICK H50IM ICE MAKER LIMITED WARRANTY

ENTIRE PRODUCT- Full One Year Warranty:

For one year from the date of original installation, Perlick Corporation's warranty covers all parts and labor to repair or replace any part of the product, which proves to be defective in material and workmanship.

TERMS:

The Perlick Warranty applies to products installed in the fifty United States, the District of Columbia or the ten provinces of Canada.

All service provided by Perlick Corporation under the above warranty must be performed by authorized Perlick service representatives, unless otherwise specified by Perlick.

Service will be provided in the home during normal business hours.

This warranty applies only to products installed for normal residential use, it does not include adjusting the controls, or cleaning the condenser.

This warranty is extended only to the original purchaser of the Perlick product.

The above warranty does not apply if:

- Failure of product was due to transportation
- Product was: improperly installed, misused, abused, operating with low voltage, wiring not conforming electrical codes, improperly maintained or modified.
- The original Bill of Sale, delivery date or serial number cannot be verified.
- Defective parts are not returned for inspection if so required by the Perlick Corporation.

To receive parts and or service and the name of the nearest Perlick authorized service representative, contact your Perlick dealer, distributor or Perlick Corporation's Technical Service Department; 8300 West Good Hope Road, Milwaukee Wisconsin, 53223; call 800 558-5592, E-mail us at warrantyserv@perlick.com , or visit our web: www.bringperlickhome.com

This limited warranty is in lieu of any other warranty, expressed or implied, including, but not limited to any implied warranty of merchantability or fitness for a particular purpose; provided however, that to the extent required by law, implied warranties are included but do not extend beyond the duration of the express warranty first set above. Perlick's sole liability and your exclusive remedy under this warranty are set forth in the initial paragraph above. Perlick Corporation shall have no liability whatsoever for any incidental, consequential or special damages arising from the sale, use or installation of the product or from any other causes whatsoever, whether based on warranty (expressed or implied) or otherwise based on contract, tort or any other theory of liability.

Some states do not allow limitations on how long an implied warranty lasts or the exclusion or limitation of incidental or consequential damages, so the above limitations may not apply to you. This warranty gives you specific legal rights, and you may also have other rights, which vary, from state to state.

