



## GARDA | Insert Range Hood

### Ideal for smaller kitchens

SKU: AGR628SSB | CATEGORY: Insert

The Garda 28" Range Hood by Arietta, provides high performance, while it's 28-1/4" width and 10-3/4" depth enables it to be discreetly installed within standard 12" deep cabinetry, making it ideal for smaller kitchens or where the range hood needs to be out-of-sight. Garda 28" has a powerful 600 CFM blower to support most cooking needs. Stainless steel push-button controls operate a 3-speed blower and LED lighting.



2 LED lamps with 1 light intensity that safely illuminates the cooking area.



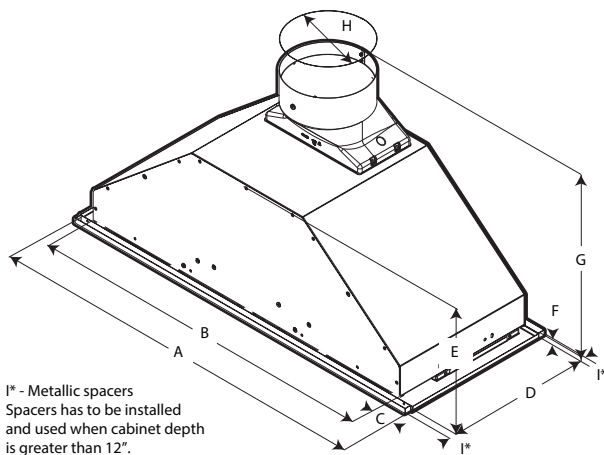
Mechanical Push Buttons.



Dishwasher-safe, Anodized Stainless Steel Mesh filters.

## FEATURES

Size (in)	28"
Dimensions	28-1/4"W x 10-3/4"D x 14 9/16"H
Finish	Stainless Steel
Controls	Mechanical Push Buttons
Illumination	2 LED lamps (700 mA & 2.1 W, 3000 Kelvin and 235 Lumens / lamp) 1 Light Intensity
Blower Performance**	600 CFM, 3-Speed Internal Blower Min 2.0 - Max 8.1 sones (Noise)
Filter Type	2, Dishwasher-Safe, Anodized Stainless Steel Mesh Filters
Duct Transition	6" (Round, Top)
Electrical	120V - 60 Hz 455 Watt at 3.8 Amps
Accessories	KIT02773 Hood Liner, 30" KIT02774 Hood Liner, 36" KIT02770 Recirculating Kit - Contains carbon filters KIT0175561 Electronic CFM Reduction Bypass Kit (Achieves less than 300 CFM)



AGR628SSB	
A	28 1/4" (71.8 cm)
B	26" (66 cm)
C	1 1/8" (2.9 cm)
D	10 3/4" (27.3 cm)
E	9 1/2" (24.2 cm)
F	5/16" (.85 cm)
G	14 9/16" (37 cm)
H	6" (15.2 cm)
I	1/2" (1.27 cm)

**DESIGNED IN ITALY, MADE IN NORTH AMERICA**

Two (2) Years Warranty  
Parts & In-Home Labor.

\* The product images shown are for illustration purposes only and may not be an exact representation of the product.

\*\* Blower performance indicates the performance of the blower by itself. Performance claims are not AHAM certified but were established in accordance with HVI Standardized test procedure. For Certified Ratings, please refer to AHAM Certified Product Directory. Electric Ratings are declared according to UL. High Speed 480 CFM, 10.0 sones (6" vertical) Working Speed 180 CFM, 2.0 sones (6" vertical)