

ZLINE



FAUCET

Installation Guide
and Users Manual

TABLE OF CONTENTS

● SAFETY INSTRUCTIONS	1
Prior to Installation	
Safety Tips	
Care and Maintenance	
● SPRING KITCHEN FAUCETS	2
Parts	
Tools	
Assembly	
● PULL DOWN KITCHEN FAUCETS	6
Parts	
Tools	
Assembly	
● SINGLE HANDLE KITCHEN FAUCETS WITH SPRAYER	10
Parts	
Tools	
Assembly	
● DOUBLE HANDLE KITCHEN FAUCETS WITH SPRAYER	14
Parts	
Tools	
Assembly	
● TROUBLESHOOTING	18

SAFETY INSTRUCTIONS

Prior to Installation

- Make sure that the cold and hot water lines are turned off.
- Wrap all threaded connections with Teflon tape. Always wrap in a clockwise direction.
- Cover your drain to avoid losing parts.
- Do not disassemble the main faucet body, as it has been installed and commissioned correctly and precisely before delivery to the factory.
- To keep the faucet from jamming, flush the water pipe before installation.

Using condition: Working pressure at 0.05-1.0 MPa (including cold and hot water pressure) with applicable water temperature: 39.2°F - 1 94°F.

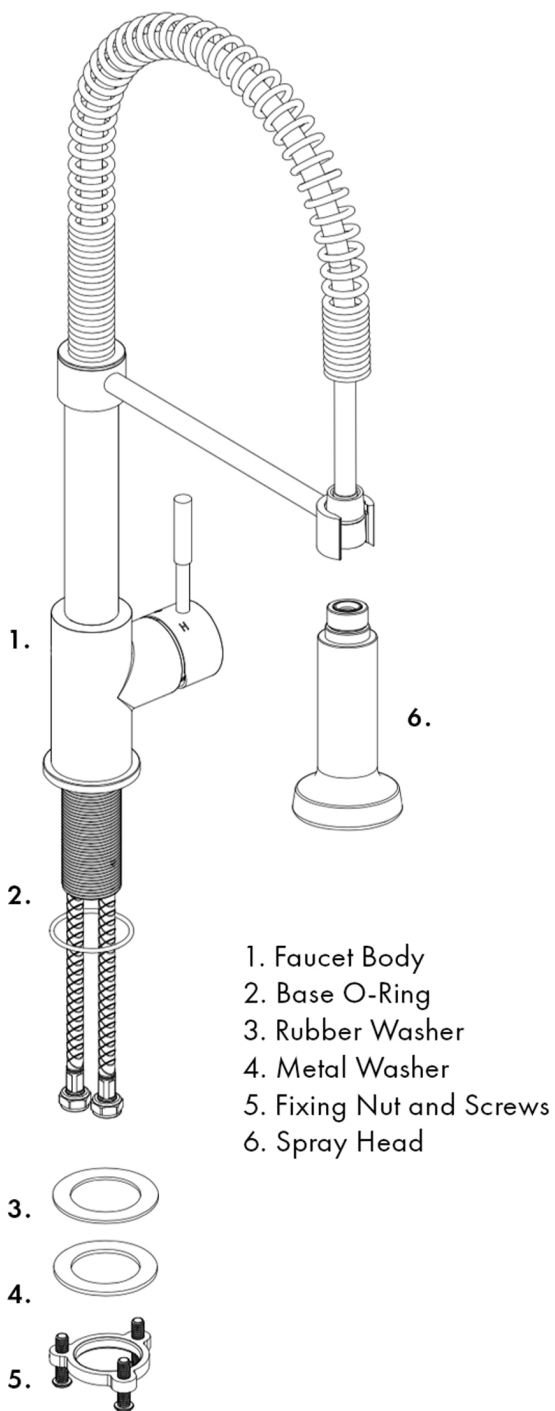
Care and Maintenance

To keep the product clean and shining, follow the steps below:

1. Rinse clean with water and dry with a soft cloth.
2. Do not clean with soaps, acid, polish, abrasives, or harsh cleaners.
3. Do not use cloth with a coarse surface.
4. Unscrew the aerator and clean when necessary.

- If soldering the water connections when installing the faucet, remove the O-rings, cartridges, and washers before applying any heat.
- Protect your eyes when cutting or soldering.
- Do not over tighten screws/nuts. Finger tighten, then use a wrench/screwdriver to tighten the fixing screw/nut until snug.

SPRING KITCHEN FAUCET

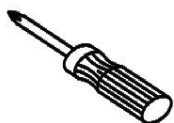


SPRING KITCHEN FAUCET

Tools:



Wrench



Screwdriver



Bucket

Time required:



+/- 45 minutes

Legend:



Hot Water



Cold Water



Grease

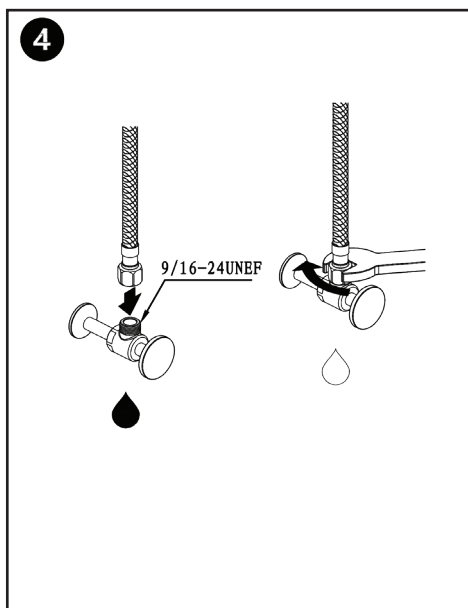
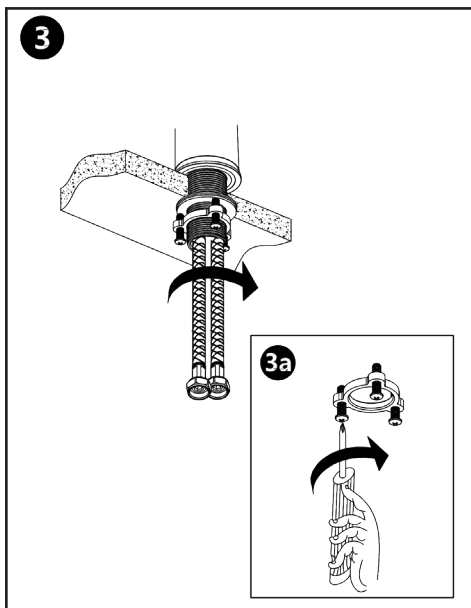
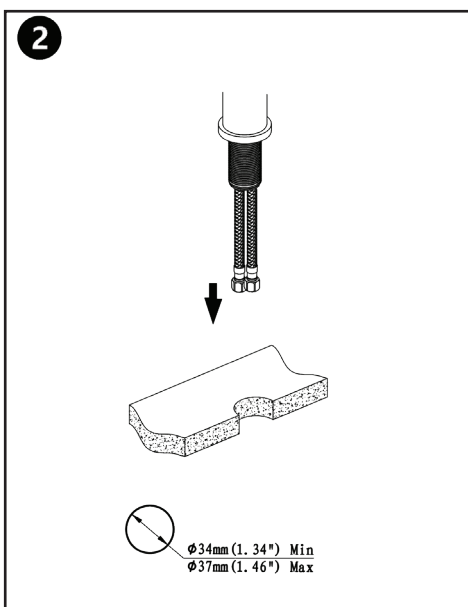
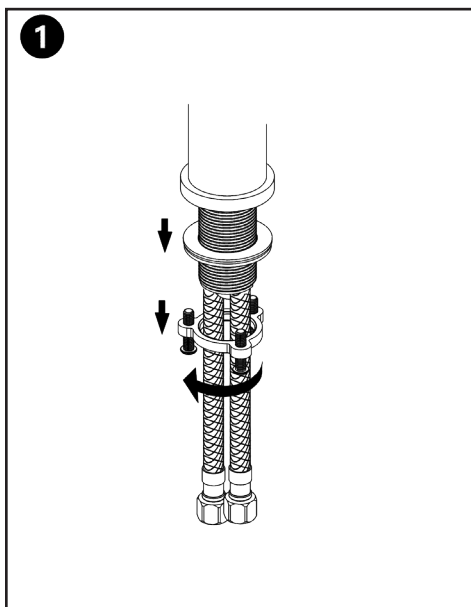


Warning

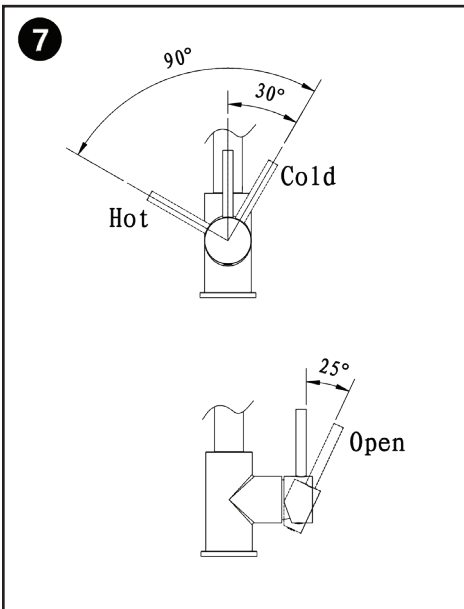
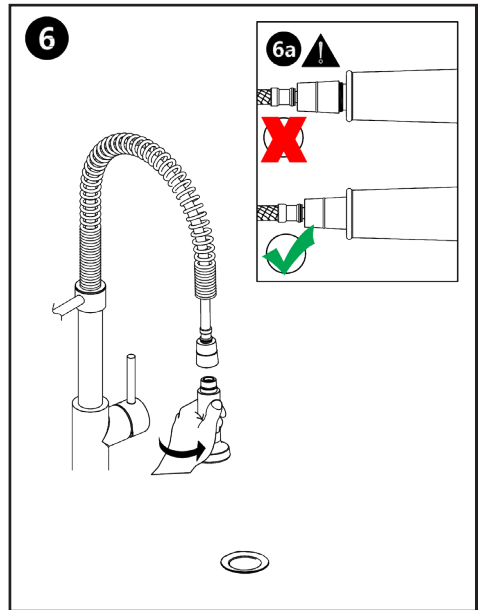
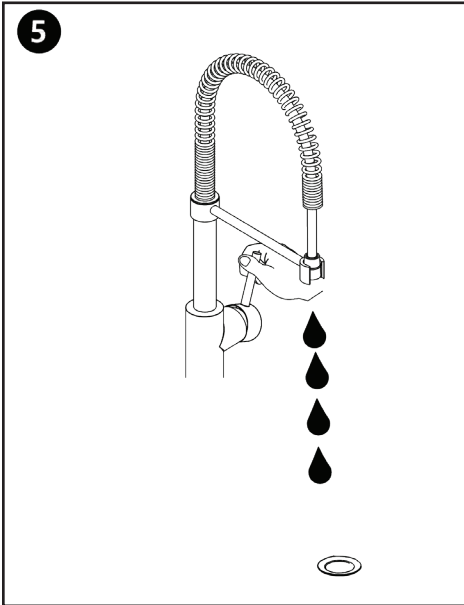


Plumber's Tape

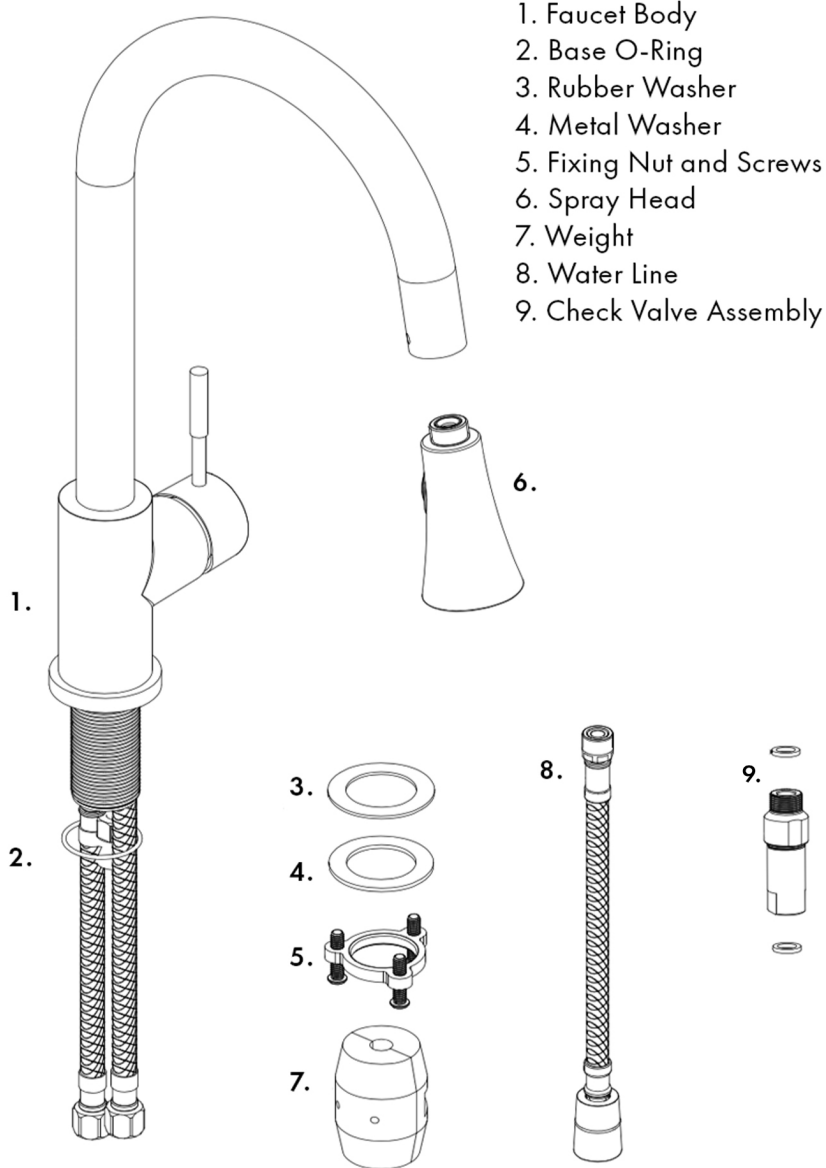
SPRING KITCHEN FAUCET



SPRING KITCHEN FAUCET



PULL DOWN KITCHEN FAUCETS

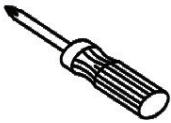


PULL DOWN KITCHEN FAUCETS

Tools:



Wrench



Screwdriver



Bucket

Time required:



+/- 45 minutes

Legend:



Hot Water



Cold Water



Grease

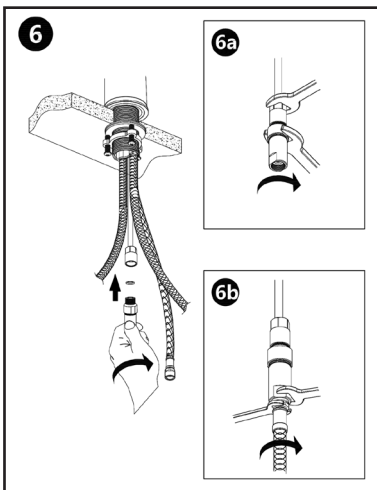
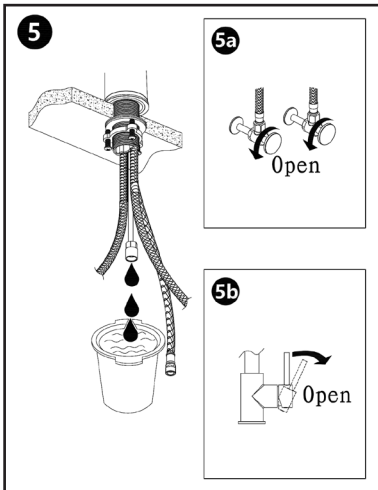
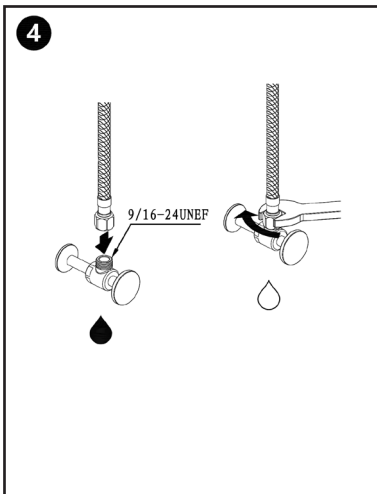
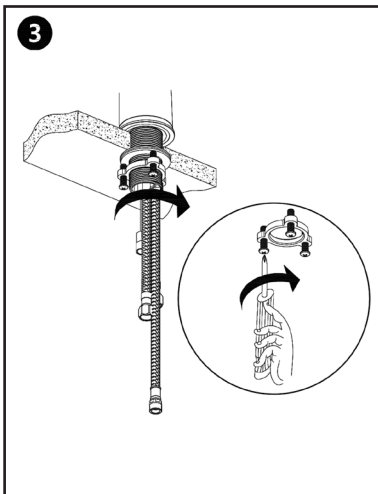
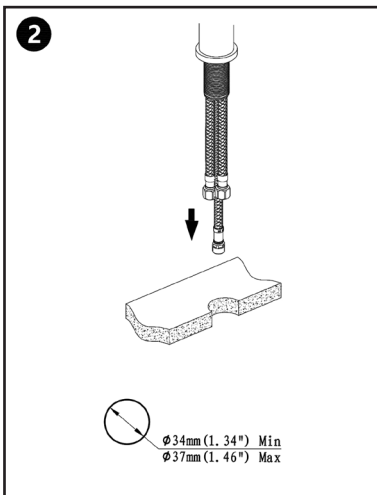
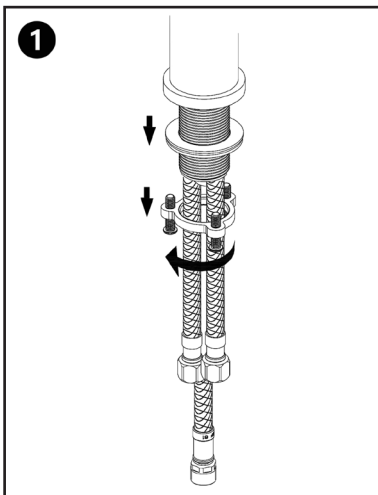


Warning

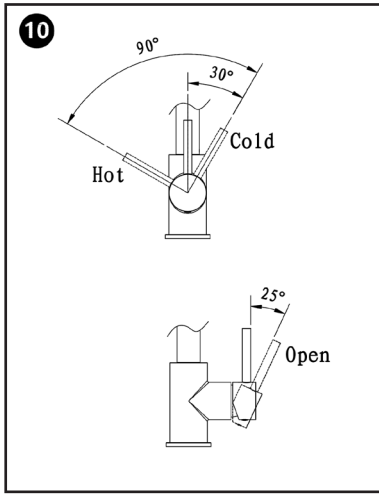
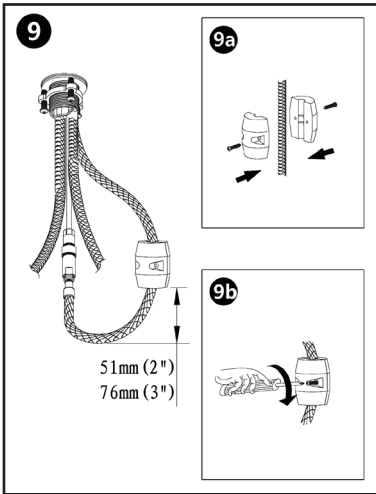
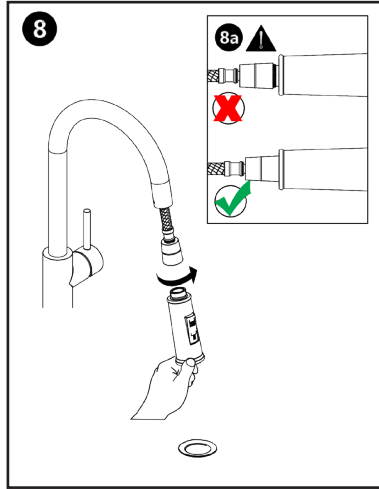
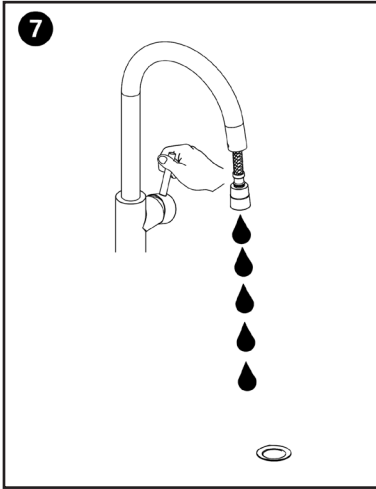


Plumber's Tape

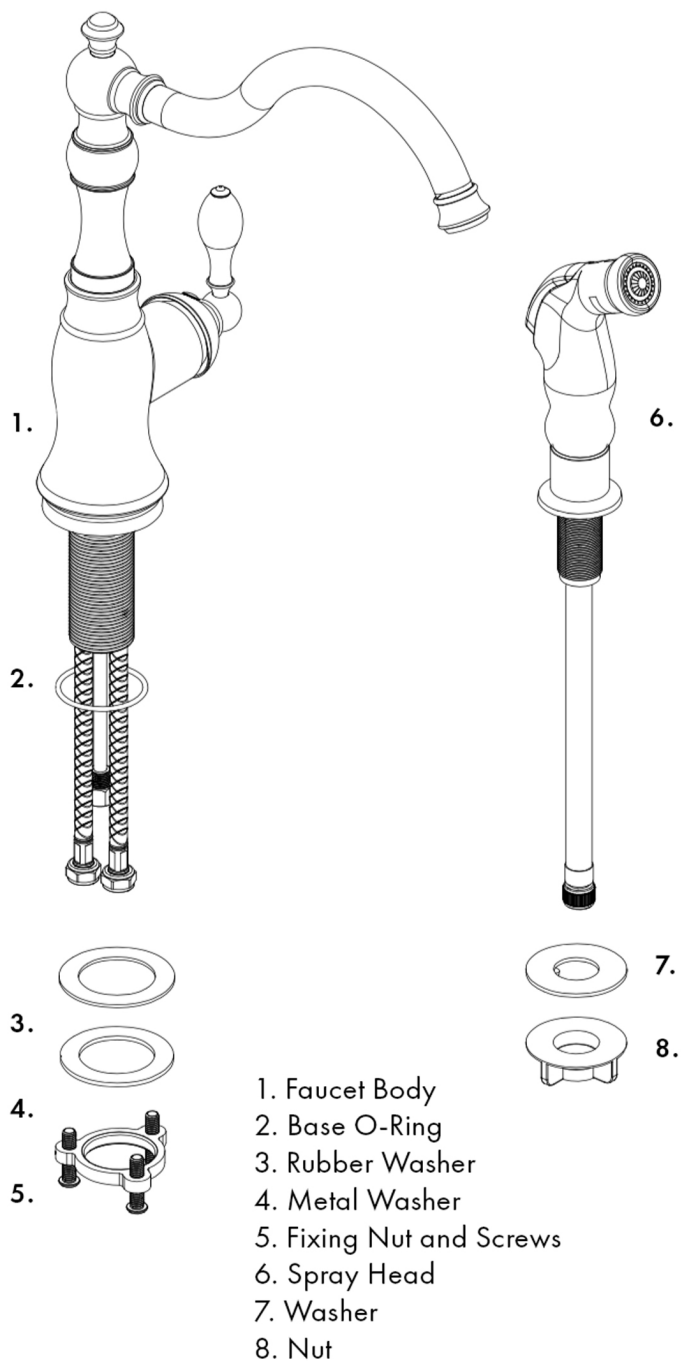
PULL DOWN KITCHEN FAUCETS



PULL DOWN KITCHEN FAUCETS



SINGLE HANDLE FAUCETS

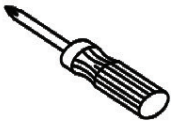


SINGLE HANDLE FAUCETS

Tools:



Wrench



Screwdriver



Bucket

Time required:



+/- 45 minutes

Legend:



Hot Water



Cold Water



Grease

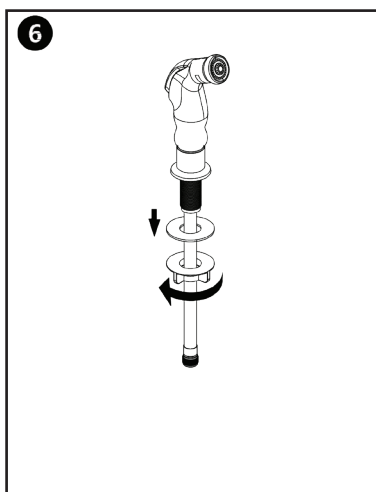
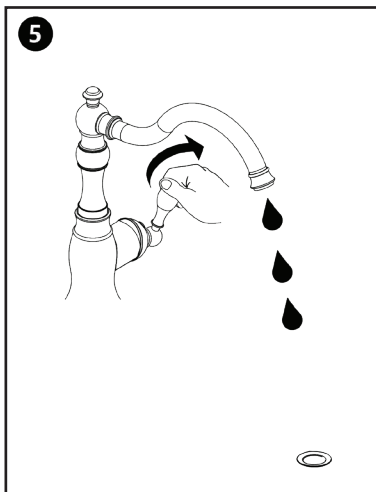
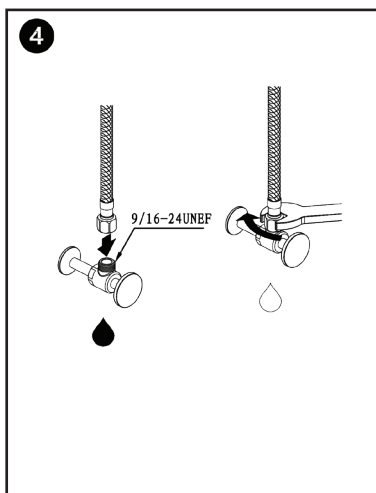
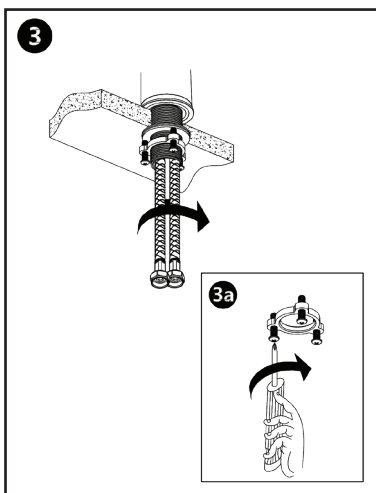
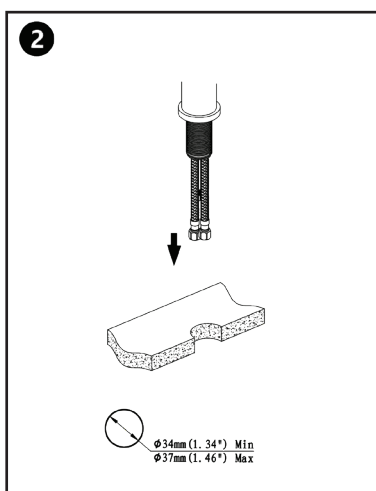
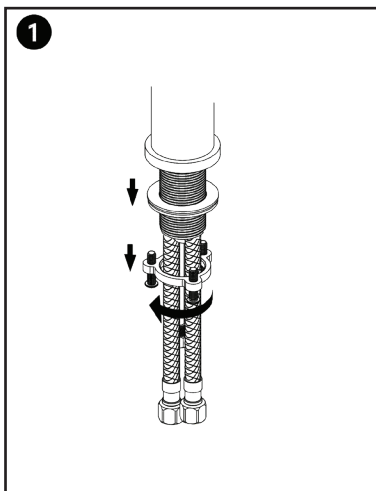


Warning

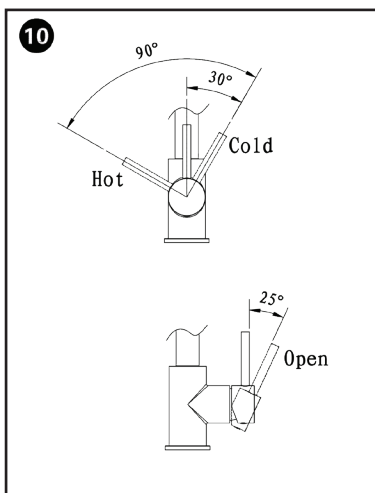
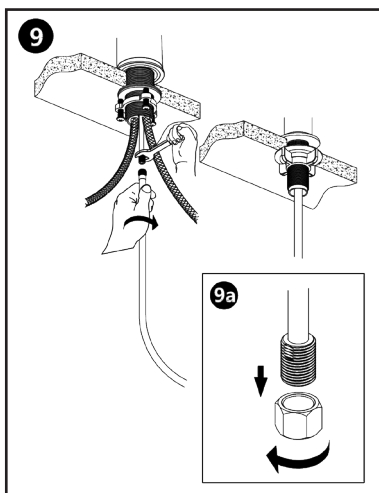
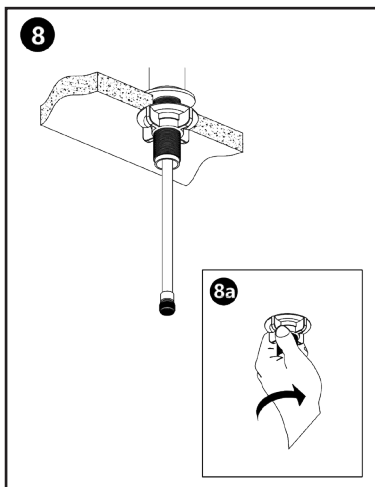
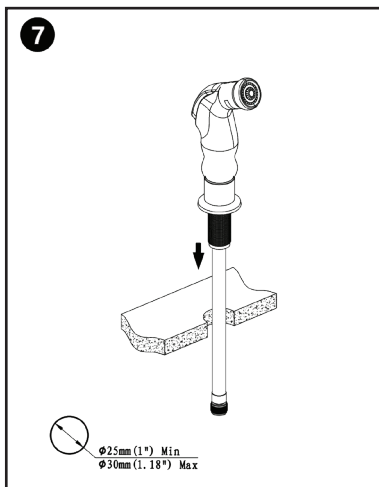


Plumber's Tape

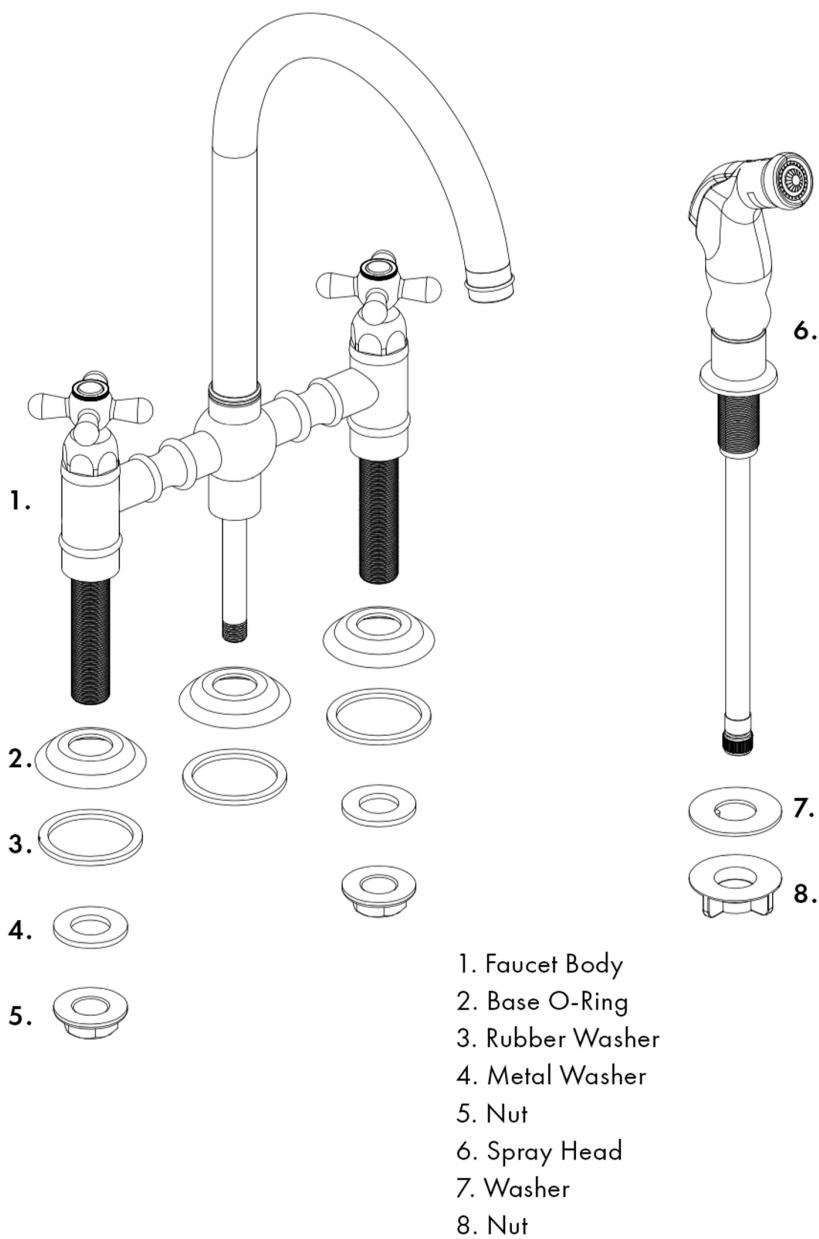
SINGLE HANDLE FAUCETS



SINGLE HANDLE FAUCETS



DOUBLE HANDLE FAUCETS



DOUBLE HANDLE FAUCETS

Tools:



Wrench

Time required:



+/- 45 minutes

Legend:



Hot Water



Cold Water



Grease

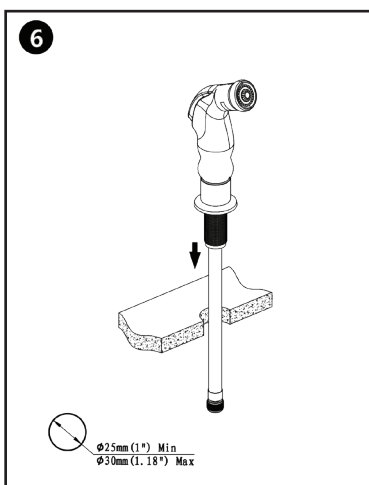
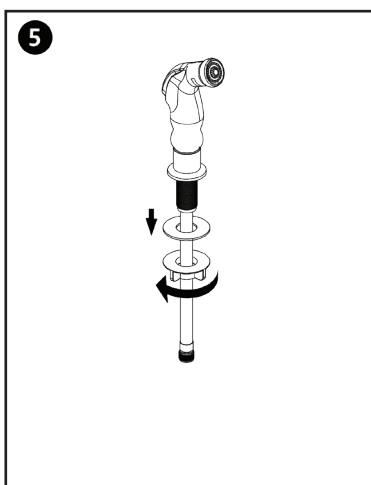
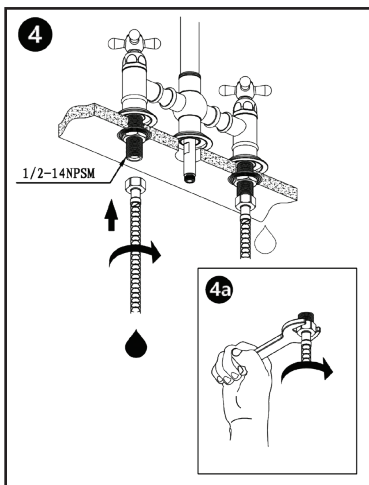
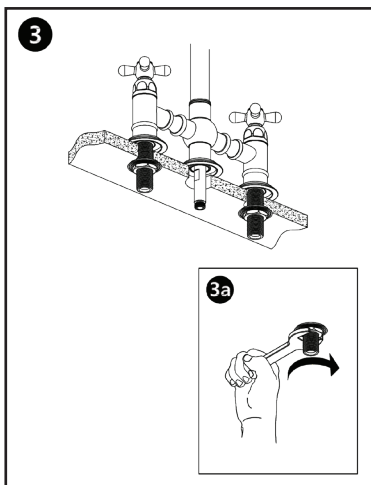
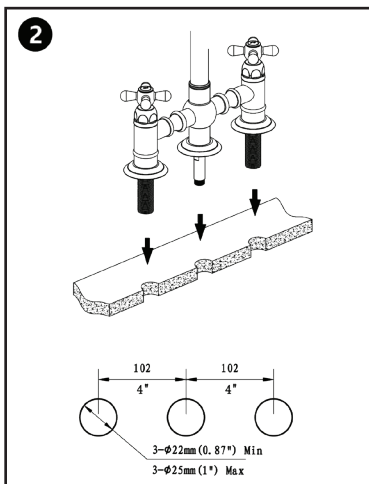
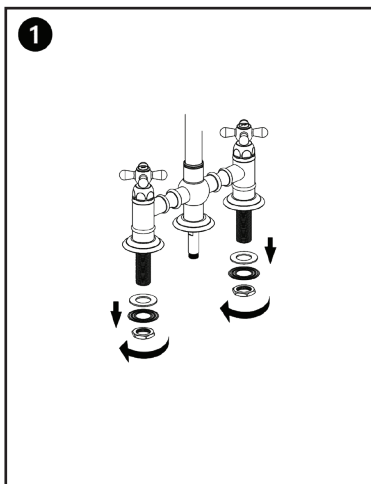


Warning

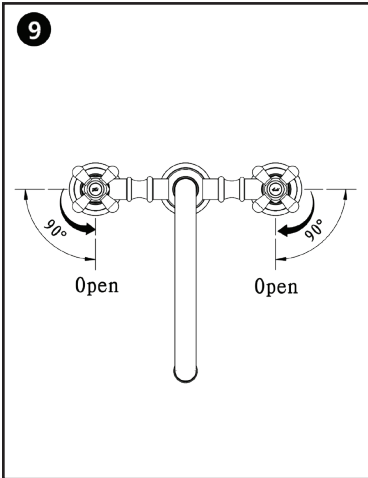
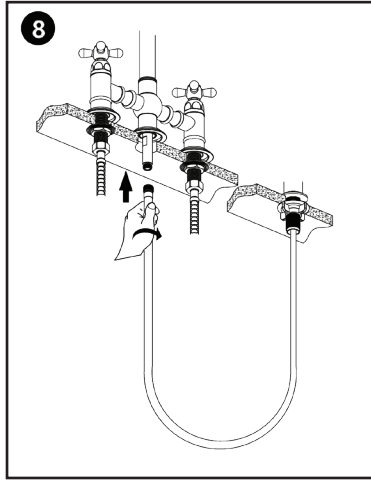
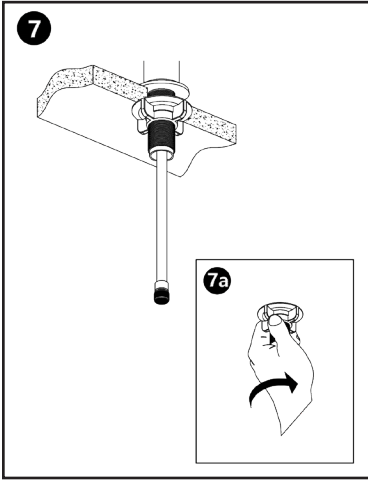


Plumber's Tape

DOUBLE HANDLE FAUCETS



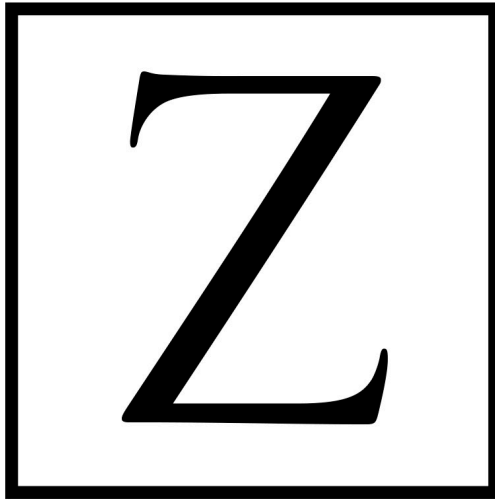
DOUBLE HANDLE FAUCETS



TROUBLESHOOTING

Problem	Possible Cause	Solution
There is leakage under the handle.	The locking nut has come loose.	Unscrew the lever on the handle by hand. Loosen set screw with a hex wrench. Remove the handle and unscrew trim cap by hand. Tighten locking nut with an adjustable wrench.
Water will not shut off completely.	Cartridge may be defective.	Unscrew the level on the handle by hand. Loosen set screw with a hex wrench. Remove the handle and unscrew trim cap by hand. Unscrew the locking nut with an adjustable wrench. Remove ceramic disc cartridge. Check for cracks.
There is a leak between the spray head and the hose.	The spray head may be loose or the washer is not seated correctly in the hose connection.	Tighten the spray head by hand until snug. Make sure the washer is seated correctly.

NOTES




ZLINE
KITCHEN AND BATH

Three Locations:

350 Parr Circle
Reno, NV 89512

916 Delaware Avenue
Marysville, OH 43040

319 Rowland Mill Rd.
Bruceton, TN 38317

www.zlinekitchen.com

1-614-777-5004