

# Avellino 24-Inch Dual Zone 16 cu.ft. Wine Cooler

Model: FWCDR6603-24S



## KEY FEATURES

- Dual temperature zone
- Triple-layer Anti-UV glass door
- Touch control
- Stores total Of 94 Wine Bottles
- Reversible door
- Flexible Display Shelf
- Charcoal filter
- 258 kWh / year

## APPEARANCE

Advertise Unit Width	24"
Unit Style	Swing Door
Counter-Depth	Yes
Built In / Freestanding	Freestanding   Built-In
Door Color	Stainless Steel
Finger Print Resistant	Yes
Reversible Doors	Yes
Handle Color	Stainless Steel
Case Material	Steel
Case Color	Black
Shelf Material	Beech Wood
Number of Shelves	9
Telescopic Shelves	Yes

## FEATURES

Control Type	Touch Control
Control Location	Top
Number of Zones	2
Anti-UV Film	Yes
Lighting Type	LED, Blue
Defrost Type	Automatic
Sabbath Mode	No
Reversible Doors	Yes
Energy Saver	No
Cooling System	Compressor Base
°C/°F Convertible	Yes
Door Alarm	No
Leveling Legs	Yes
Removable Shelf	Yes
Shelf Dimensions	17 3/16" x 21 1/8"
Capacity (cu.ft)	16

## UPPER ZONE

Bottle Capacity	44
Capacity (cu.ft)	6.8
Number of Shelves	4
Dimensions (WxDxH)(in)	19 3/8" x 20 15/16" x 27 3/4"
Temperature Range (°F)	41 °F - 55 °F

## BOTTOM ZONE

Bottle Capacity	50
Capacity (cu.ft)	9.2
Number of Shelves	5
Dimensions (WxDxH)(in)	19 3/8" x 20 15/16" x 39 3/16"
Temperature Range (°F)	55 °F - 65 °F

## PRODUCT SPECIFICATIONS

Product dimensions (WxDxH)(in)	23 9/16" x 28 7/16" x 76 5/8"
Net weight (lbs & kg)	23.54lbs   10.674kg
Packaging dimensions (WxDxH)(in)	26 3/8" x 30 5/16" x 77
Shipping Weight (lbs)	262lbs   118.8 kg

## TECHNICAL SPECIFICATIONS

Running Amperage: 1.6 Amps

Circuit Breaker Amperage: 15 Amps

Volts: 115 V

Frequency: 60Hz

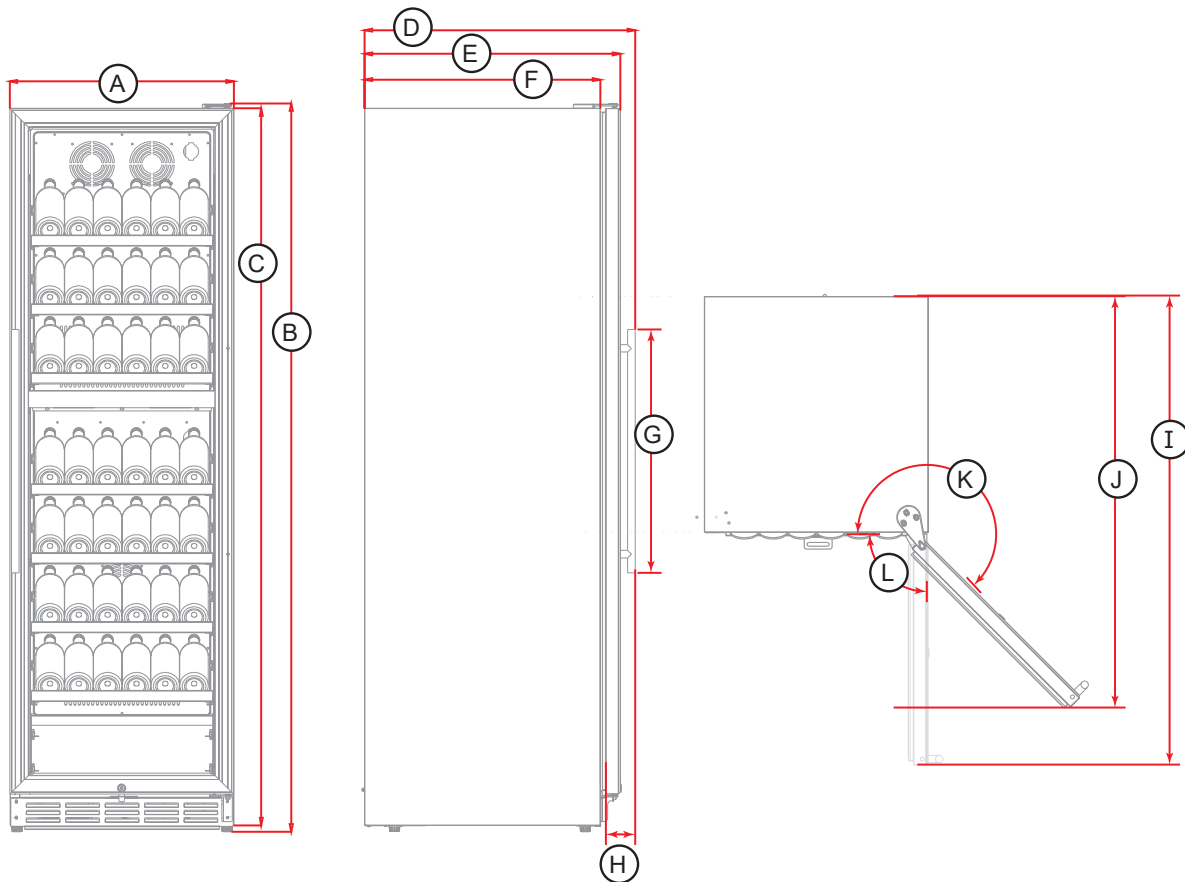
Receptacle Type: NEMA 5-15P

Compressor Type: Constant Frequency Compressor

Refrigerant: R600a

Certification: C ETL US

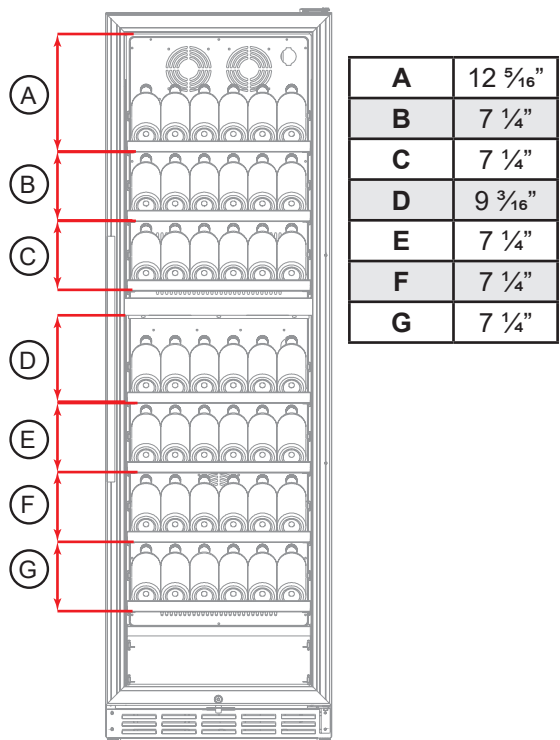
## PRODUCT DIMENSION



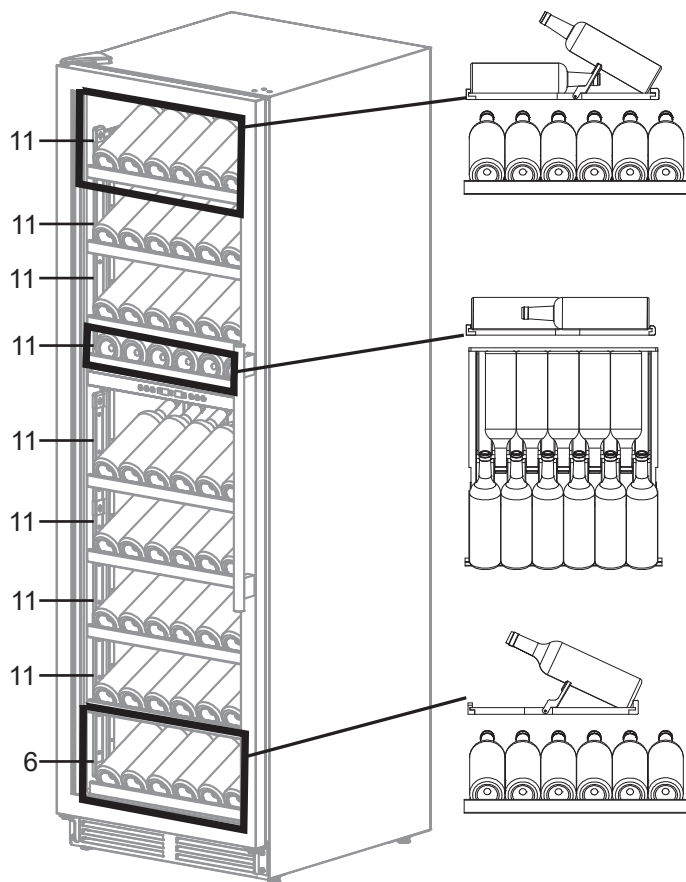
A	B	C	D	E	F
<b>Overall Width</b>	<b>Overall Height</b> (Hing to foot-on maximum)	<b>Height</b> (Top to bottom)	<b>Depth</b> Back to handle	<b>Depth</b> (Back to door)	<b>Height</b> (Back to front frame)
23 19/32"	76 5/8"	75 7/16"	28 15/32"	26 7/8"	24 13/16"

G	H	I	J	K	L
<b>Height of Handle</b>	<b>Width of handle</b> (door with handle)	<b>Depth</b> (Door open halfway)	<b>Depth</b> (Door open Fully)	<b>Opening</b> (Door open Fully)	<b>Opening</b> (Door open halfway)
25 19/32"	4 7/16"	49 11/32"	42 3/16"	135°	90°

PRODUCT DIMENSION (CONTINUED)



Total of 94 bottles!



CUTOUT DIMENSION

