

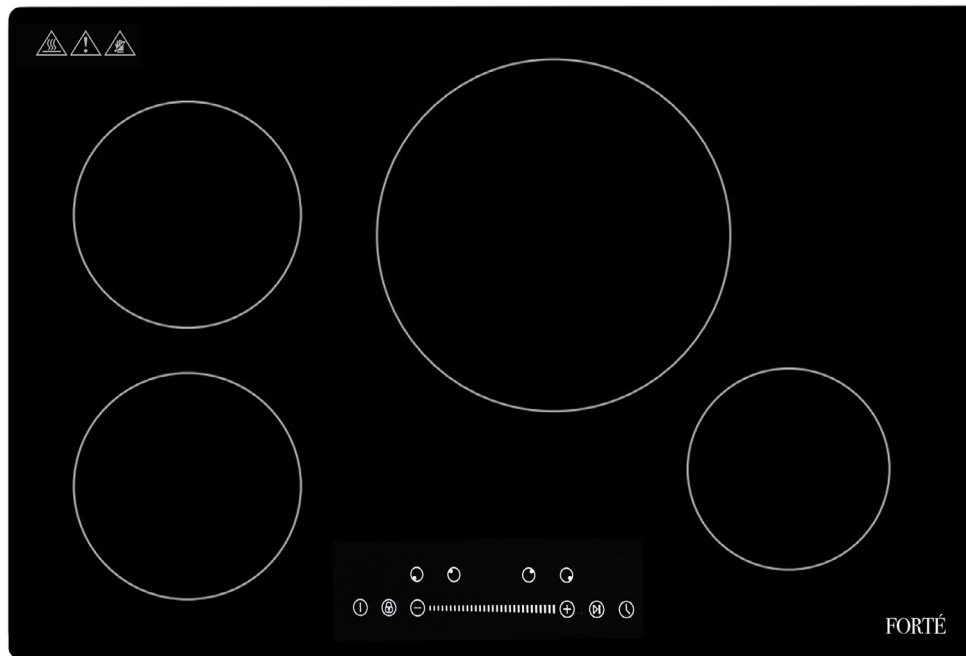
450 SERIES

30" Electric Induction Cooktop

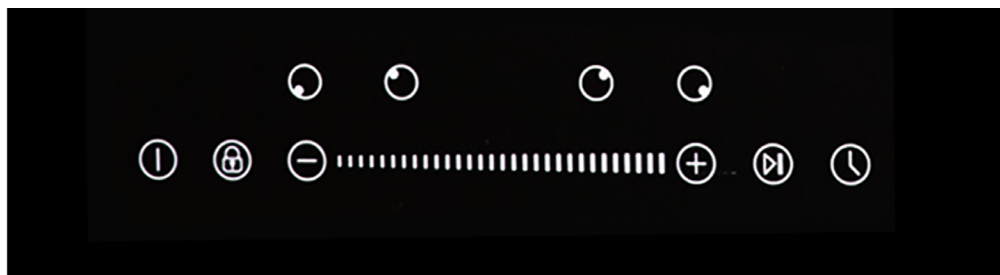
F30NDC4504B

[CLICK TO VIEW IN KITCHEN](#)

TOP



DETAIL



PRODUCT DIMENSIONS

Width (Exterior)	30 ⁵ / ₁₆ in.	76.9cm
Height	2 ¹⁵ / ₁₆ in.	7.4cm
Depth	20 ⁷ / ₁₆ in.	51.9cm
Weight	39 lbs.	18kg

ADDITIONAL SPECS

No. of Total Burners	4
Control Type	Sliding Touch Control
Cooking Surface	Ceramic Glass
Rated Voltage	240 Volts/60Hz
Warranty Terms	1 Year LTD
Certification	ETL

FEATURES:



CERAMIC GLASS

Schott Ceran® glass cooking surface in a sleek black finish, elevates your kitchen aesthetic.



HOT SURFACE LIGHT

Stay safe in the kitchen with an indicator, alerting you when the surface is too hot to touch.



AUTO-PAN DETECTION

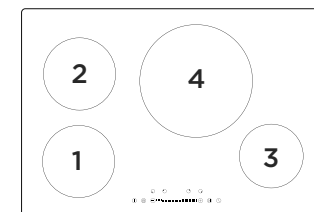
Always get an even cook with Automatic Pan Detection, focusing the heat around your cookware.



ANTI-OVERFLOW

Innovative technology protects your kitchen by reducing heat if an unwatched pot boils over.

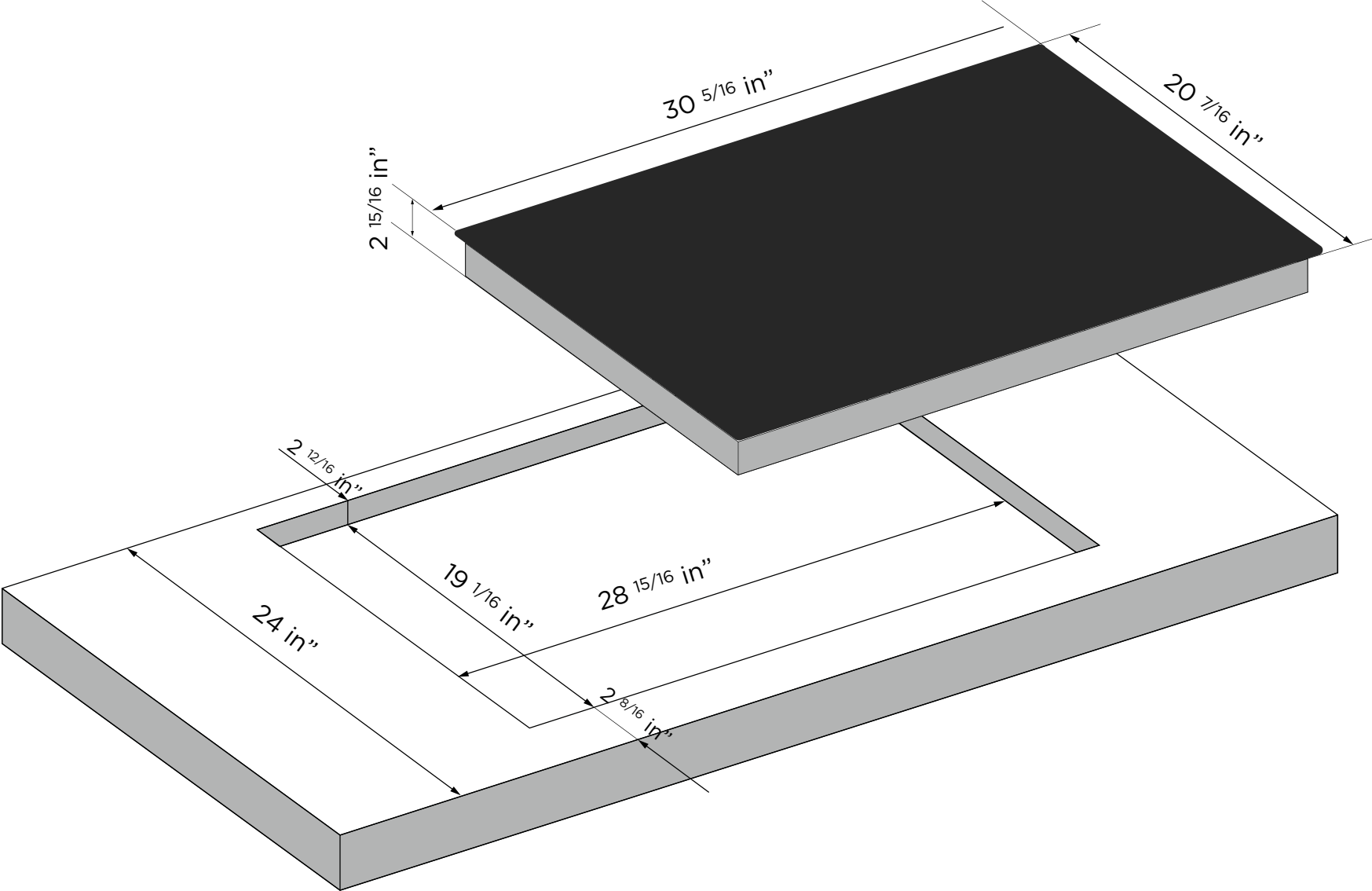
BURNER MAP:



BURNER 1 2,500W
BURNER 2 2,500W

BURNER 3 1,800W
BURNER 4 3,600W

INSTALLATION GUIDE



Spec sheets are subject to change without notice. For further questions and more detailed information, please visit www.forteappliances.com