



FMG3326F
 FMG3726L
 FMG3726R
 FMG4126B
 FMG4326F
 FMG4726L
 FMG4726R
 FMG5126B

Instruction Manual



WARNING: IF THE INFORMATION IN THESE INSTRUCTIONS ARE NOT FOLLOWED EXACTLY, A FIRE OR EXPLOSION MAY RESULT CAUSING PROPERTY DAMAGE, PERSONAL INJURY, OR LOSS OF LIFE.

Do not store or use gasoline or other flammable vapors and liquids in the vicinity of this or any other appliance.

WHAT TO DO IF YOU SMELL GAS.

- Do not try to light any appliance.
- Do not touch any electrical switch; do not use any phone in your building.
- Leave the building immediately.
- Immediately call your gas supplier from a neighbor's phone. Follow the gas supplier's instructions.
- If you cannot reach your gas supplier, call the fire department.

Installation and service must be performed by a qualified installer, service agency or the gas supplier.

DANGER



HOT GLASS WILL CAUSE BURNS.

DO NOT TOUCH GLASS UNTIL COOLED.

NEVER ALLOW CHILDREN TO TOUCH GLASS.

A barrier designed to reduce the risk of burns from the hot viewing glass is provided with this appliance and shall be installed for the protection of children and other-at risk individuals.

GAS-FIRED



Certified to:
 CSA 2.17-2017
 ANSI Z21.88-2019
 CSA 2.33-2019

Installer: Please complete the details on the back cover and leave this manual with the homeowner.

Homeowner: Please keep these instructions for future reference.

FRENCH VERSION: Is available online at faberfires.com

Table of Contents

SAFETY INFORMATION	4
Fireplace Information	7
UL Certification.	7
Fireplace Information	8
Installation Information.	8
Maintenance Log	9
Label	10
Technical Dimensions FMG3326F.	11
Technical Dimensions FMG3726L.	12
Technical Dimensions FMG3726R.	13
Technical Dimensions FMG4126B.	14
Technical Dimensions FMG4326F.	15
Technical Dimensions FMG4726L.	16
Technical Dimensions FMG4726R.	17
Technical Dimensions FMG5126B.	18
Gas Fireplace Operation	19
Remote Control Instructions.	19
Receiver and Remote Batteries	24
Pairing Remote with Fireplace Receiver	24
Installation Steps.	25
Installation Preparation	26
Fireplace Unpacking and Contents.	26
Fireplace Positioning	23
Vent Termination.	28
Instructions	28
Vent Size	28
Minimum Combustible Clearances from Vent.	29
Minimum Clearances to Vent Termination	30
Unit Installation with Horizontal Termination	31
Unit Installation with Vertical Termination.	33
Minimum Venting Requirements - Natural Gas	35
Chase and Framing Installation and Planning.	39
Clearances	42
Material Specifications.	42
Minimum Combustible Clearances from Vent Pipe	43
Chase Clearances	44
Additional Clearances	45
Mantel Clearance.	46
Clearance to Sprinkler	46
Finishing Around Front of the Fireplace	47

Table of Contents

Heat Releases and Air Intakes	48
Heat Releases	48
Air Intake	48
Examples of Heat Releases and Air Intakes.	49
Television Mounting Information	50
Flat with Recessed TV	51
Recessed with recessed TV	51
Television Install Flush Above Fireplace	52
Television Install Without Recess	52
Gas Installation	53
General	53
Gas Valve.	54
Accessing the Gas Valve and Electronic Receiver.	54
Installation at High Altitude	55
Gas Valve Access Door	55
Commonwealth of Massachusetts	56
Electric and Control	57
Wiring Diagram	57
Power Source	57
Wall Switch - Optional	58
Final Installation	59
Media Arrangement	59
Sealing the glass	64
Feature Removal.	65
Safety Screen Removal	65
Glass Removal	66
Replacement Parts	67
Maintenance	68
Maintenance Instructions.	68
Yearly Service	69
Flame Pattern	70
Log Replacement.	71
Glass Gasket	71
Glass	71
Glass Replacement	72
General Vent Maintenance.	72
Troubleshooting Guide	73
Warranty.	75

SAFETY INFORMATION

WARNING

- This appliance is hot when operated and can cause severe burns if contacted.
- Any changes or alterations to this appliance or its controls can be dangerous and is prohibited.
- Do not operate appliance before reading and understanding operating instructions. Failure to operate appliance according to operating instructions could cause fire or injury.
- Risk of fire or asphyxiation. Do not operate appliance with fixed glass removed and never obstruct the front opening of the appliance.
- Risk of burns. The appliance should be turned off and cooled before servicing.
- Do not install damaged, incomplete or substitute components.
- Risk of cuts and abrasions. Wear protective gloves, protective footwear, and safety glasses during installation. Sheet metal edges may be sharp.
- Do not burn wood or other materials in this appliance.
- Provide adequate ventilation and combustion air. Provide adequate accessibility clearance for servicing and operating the appliance.
- High pressure will damage valve. Disconnect gas supply piping before pressure testing gas line at test pressures above 1/2 PSIG. Close the manual shutoff valve before pressure testing gas line at test pressures equal to or less than 1/2 PSIG (35 mb).
- The appliance must not be operated at temperatures below freezing (0°C / 32°F).
- Children and adults should be alerted to hazards of high surface temperature and should stay away to avoid burns or clothing ignition.
- Young children should be carefully supervised when they are in the same room as the appliance. Toddlers, young children and others may be susceptible to accidental contact burns. A physical barrier is recommended if there are at risk individuals in the house. To restrict access to an appliance or stove, install an adjustable safety gate to keep toddlers, young children, and other at risk individuals out of the room and away from hot surfaces.
- Clothing or other flammable material should not be placed on or near the appliance.
- Due to high temperatures, the appliance should be located out of traffic and away from furniture and draperies.
- Furniture or other objects must be kept a minimum of 3 feet (0.92 m) away from the front of the appliance.
- Ensure you have incorporated adequate safety measure to protect infants/toddlers from touching hot surfaces.
- Even after the appliance is off, it will remain hot for an extended period of time.
- Check with your local hearth specialty dealer for safety screens and hearth guards to protect children from hot surfaces.
- Any safety screen, guard or barrier removed for servicing the appliance, must be replaced prior to operating the appliance.
- The appliance area must be kept clear and free from combustible materials, gasoline and other flammable vapors and liquids.
- If the appliance shuts off, do not relight until you provide fresh air. If appliance keeps shutting off, have it serviced. Keep burner and control compartment clean.
- Under no circumstances should this appliance be modified.
- Do not allow wind or fans to blow directly into the appliance. Avoid any drafts that alter burner flame patterns.
- Do not use a blower insert, heat exchanger insert or other accessory not approved for use with this appliance.
- This appliance must not be connected to a chimney flue pipe serving a separate solid fuel burning appliance.
- Do not use this appliance if any part has been under water. Immediately call a qualified service technician to inspect the appliance and to replace any part of the control system and any gas control which has been under water.
- Do not operate the appliance with the glass removed, cracked, or broken. Replacement of the glass should be done by a licensed or qualified service person if equipped.

SAFETY INFORMATION

WARNING

- Only optional fronts certified with the appliance are to be installed on the appliance.
- Keep the packaging material out of reach of children and dispose of the material in a safe manner. As with all plastic bags, these are not toys and should be kept away from children and infants.
- If equipped, the screen must be in place (closed) when the appliance is in operation.
- When equipped with pressure relief doors, they must be kept closed while the appliance is operating to prevent exhaust fumes containing carbon monoxide, from entering the home. Temperatures of the exhaust escaping through these openings can also cause the surrounding combustible materials to overheat and catch fire.
- Carbon monoxide poisoning may lead to death; early signs of carbon monoxide poisoning resemble the flu, with headache, dizziness and/or nausea. If you have these signs, the appliance may not be working properly. Get fresh air at once! Have appliance serviced. Some people; pregnant women, persons with heart or lung disease, anemia, those under the influence of alcohol, those at high altitudes are more affected by carbon monoxide than others. Failure to keep the primary air opening(s) of the burner(s) clean may result in sooting and property damage.
- As with any combustion appliance, we recommend having your appliance regularly inspected and serviced as well as having a Carbon Monoxide Detector installed in the same area to defend you and your family against Carbon Monoxide Poisoning (not applicable for outdoor appliances).
- Ensure clearances to combustibles are maintained when building a mantel or shelves above the appliance. Elevated temperatures on the wall or in the air above the appliance can cause melting, discoloration or damage to decorations, a TV or other electronic components.
- For appliances equipped with a safety barrier; if the barrier becomes damaged, the barrier shall be replaced with the manufacturer's barrier for this appliance.
- Installation and repair should be done by a qualified service person. The appliance and its venting system should be inspected before use and at least annually by a qualified service person. More frequent cleaning may be required due to excessive lint from carpeting, bedding material, etc. It is imperative that control compartments, burners and circulating air passageways of the appliance be kept clean.

WARNING

These direct vent fireplaces must be electrically grounded in accordance with the local codes or, in the absence of local codes, with National Electric code, ANSI/NFPA 70, or the Canadian Electric Code, CSA C22.1.

WARNING

Never leave children or other at-risk individuals alone with the appliance.

WARNING

Failure to install this appliance correctly will void your warranty and may cause a serious house fire.

WARNING

The direct vent system appliance must be installed as an OEM installation in manufactured homes (USA only) or an aftermarket permanently located, or a mobile home where not prohibited by local codes and must be installed in accordance with Manufacturer's instructions and the Manufactured Home Construction and Safety Standard, Title 24 CFR, Part 3280 in the United States, or the Standard for Installation in Mobile Homes CAN/CSA Z240 MH Series in Canada.

This appliance is only for use with the type(s) of gas indicated on the rating plate.

This product is listed to ANSI standards for ANSI Z21.88/CSA 2.33-2019 - Vented Gas Fireplace Heaters Fireplaces CSA 2.17-2017 Gas-Fired Appliance for Use at High Altitudes - Fourth Edition.

WARNING

CARBON MONOXIDE POISONING HAZARD

Failure to follow the steps outlined below for each appliance connected to the venting system being placed into operation could result in carbon monoxide poisoning or death. The following steps shall be followed for each appliance connected to the venting system being placed into operation, while all other appliances connected to the venting system are not in operation:

1. Seal any unused openings in the venting system.
2. Inspect the venting system for proper size and horizontal pitch, as required in the National Fuel Gas Code, ANSI Z223.1/NFPA 54 or the National Gas and Propane Installation Code, CSA B149.1 and these instructions. Determine that there is no blockage or restriction, leakage, corrosion and other deficiencies which could cause an unsafe condition.
3. As far as practical, close all building doors and windows and all doors between the space in which the appliance(s) connected to the venting system are located and other spaces of the building.
4. Close fireplace dampers.
5. Turn on clothes dryers and any appliance not connected to the venting system. Turn on any exhaust fans, such as range hoods and bathroom exhausts, so they are operating at maximum speed. Do not operate a summer exhaust fan.
6. Follow the lighting instructions. Place the appliance being inspected into operation. Adjust the thermostat so appliance is operating continuously.
7. Test for spillage from draft hood equipped appliances at the draft hood relief opening after 5 minutes of main burner operation. Use the flame of a match or candle.
8. If improper venting is observed during any of the above tests, the venting system must be corrected in accordance with National Fuel Gas Code, ANSI 2223.1/NFPA and/or Natural Gas and Propane Installation Code, CSA B149.1.
9. After it has been determined that each appliance connected to the venting system properly vents when tested as outlined above, return doors, windows, exhaust fans, fireplace dampers and any other gas-fired burning appliances to their previous conditions of use.

WARNING

Due to high temperatures, the appliance should be located out of traffic and away from furniture and draperies.

Children and adults should be alerted to the hazards of high surface temperature and should stay away to avoid burns or clothing ignition.

WARNING

This appliance must be electrically wired and grounded in accordance with local codes, or in the absence of local codes, with National Electric Code ANSI/NFPA 70-latest edition or the Canadian Electric Code CSA C22.1. A 110–120 V AC circuit for this product must be protected with ground-fault circuit-interrupter protection, in compliance with the applicable electrical codes, when it is installed in locations such as in bathrooms or near sinks.



Faber requires installation be performed by an NFI-certified installer or a certified Faber installer. Installations that do not follow this instruction will not be covered by warranty or serviced.

We recommend removing the glass with the suction cups supplied by the manufacturer. When glass is cooled, lower the glass to rest in a safe place. This is to prevent damage to the glass edges. Extra care must be taken when removing/installing the glass. Breakage or damage to the edge of the glass which occurs as a result of careless handling will not be covered under warranty.

Fireplace Information



With 175 years of craftsmanship, innovations, a visionary outlook and our passion, we have become the expert in fires. Faber is responsible for inventions that have become standard around the world, and they are our pride and passion!

The fire makers of Faber develop the most beautiful ambient fires. However, that passion goes beyond the fire, its connective and calming effect is just as important to us. We want you to enjoy atmosphere and cosiness together with your friends and family.

This manual should be used for following Faber Matrix models:

FMG3326F	FMG4326F
FMG3726L	FMG4726L
FMG3726R	FMG4726R
FMG4126B	FMG5126B

- All models share the same gas valve system, remote, gas connection, and glass type, simplifying installation and operation.
- All warnings and instructions apply to all models.
- Refer to the model name for specific model, clearance, and installation information.
- Faber Fireplaces should only be connected to M&G DuraVent 5x8 venting systems. Refer to the specific appliance model and size to determine vent size and chimney pathway requirements.
- This product is listed to ANSI standards for "Vented Gas Fireplace Heaters" and applicable sections of "Gas Burning Heating Appliances for Manufactured Homes and Recreational Vehicles", and "Gas Fired Appliances for Use at High Altitudes" Fourth Edition.

UL Certification



All our fireplaces are tested and have been certified to meet stringent CSA guidelines, ensuring optimum quality, safety and efficiency.

Certification Information:

ANSI Z21.88/CSA 2.33-2019 - Vented Gas Fireplace Heaters

CSA2.17-2017 - Gas-Fired Appliances for Use at High Altitudes

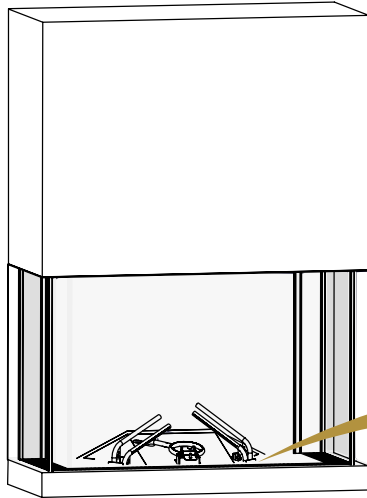


INSTALLER : Leave this manual with the appliance.
CONSUMER: Retain this manual for future reference.

Installation Information


IMPORTANT The following must be completed by the qualified installer and be left with the owner of the property. The model and serial number of the unit can be found on the label affixed to the fireplace.

Unit Information	
Model Number	
Serial Number	
Owner Information	
Name	
Address	
Technician Information	
Name	
Company	
Technician NPI #	
Notes	



Outer bottom trim and screen must be removed to access the label, which is attached by a chain and located in a dedicated slot under the grate in the location shown above.

DO NOT REMOVE THIS LABEL / NE PAS ENLEVER CETTE ÉTIQUETTE



faber

GLEN DIMPLEX AMERICAS
1367 INDUSTRIAL ROAD
CAMBRIDGE, ON, N3H 4W3 CANADA

SERIAL NUMBER:
NUMÉRO DE SÉRIE:

VENTED GAS FIREPLACE HEATER / FOYER AU GAZ À ÉVACUATION

CAT. NO.
NO. DE CAT.:


NATURAL GAS / GAZ NATUREL

MINIMUM SUPPLY PRESSURE / PRESSION D'ALIMENTATION MINIMALE: 5.0in WC/C.E. (1.24kPa)
MANIFOLD PRESSURE - HIGH / PRESSION DE SORTIE - HAUTE: 3.5in WC/C.E. (0.87 kPa)
MANIFOLD PRESSURE - LOW / PRESSION DE SORTIE - BASSE : 1.6in WC/C.E. (0.40 kPa)

ORIFICE SIZE / TAILLE DE L'ORIFICE
CENTER BURNER / BRÛLEUR CENTRAL : #51 DMS
FRONT RIGHT AND LEFT BURNER /
BRÛLEUR AVANT DROIT ET GAUCHE : #55 DMS
BACK RIGHT AND LEFT BURNER /
BRÛLEUR ARRIÈRE DROIT ET GAUCHE : #53 DMS

MAXIMUM INPUT / DÉBIT CALORIFIQUE MAXIMAL :
42 500 Btu/h (12.45 kW)
MINIMUM INPUT / DÉBIT CALORIFIQUE MINIMAL :
28 000 Btu/h (8.21 kW)
ALTITUDE / ALTITUDE : 0 - 4500 ft (0-1372m)
120 V~, 60 Hz, less than/moins de 12 A

GAS-FIRED



LISTED

Certified to / Certifié:
ANSI Z21.88-2019 • CSA 2.33-2019,
CSA 2.17-2017
MH63634

MINIMUM CLEARANCE TO NON-COMBUSTIBLES / DÉGAGEMENTS
MINIMUMAUX PAR RAPPORT AUX NON-COMBUSTIBLES

SIDES/ CÔTÉS 1/2" (1.2cm)
BACK / ARRIÈRE 2" (5.1cm)

MINIMUM CLEARANCES TO COMBUSTIBLES / DÉGAGEMENTS
MINIMUMAUX PAR RAPPORT AUX COMBUSTIBLES

IN FRONT OF GLASS / DEVANT LE PANNEAU VITRÉ 36" (91.4cm)

**Follow installation instructions.
Suivre les instructions d'installation.**

This appliance must be installed in accordance with local codes if any; if none, follow the National Fuel Gas Code, ANSI Z223.1/NFPA 54, or Natural Gas and Propane Installation Codes, CSA B149.1. This appliance must be installed in accordance with the Standard CAN/CSA Z240 MH, Mobile Housing, in Canada, or with the Manufactured Home Construction and Safety Standard, Title 24 CFR, Part 3280, in the United States, or when such a standard is not applicable, ANSI/NCSBSCS A225.1/NFPA 501A, Manufactured Home Installations Standard. This appliance is only for use with the type of gas indicated on the rating plate and may be installed in an aftermarket, permanently located, manufactured home (USA only) or mobile home, where not prohibited by local codes. See owner's manual for details. This appliance is not convertible for use with other gases, unless a certified kit is used.

Vented gas fireplace heater - Not to use with solid fuel.
This vented gas fireplace heater is not to use with air filters.

CAUTION: Do not operate the appliance with glass removed, or broken. Replacement of the panel(s) should be done by a licensed or qualified service person. Make sure glass is properly sealed. Follow installation instructions.
For use only with barrier(s) Part No.(s) Follow the user guide.

L'appareil doit être installé conformément aux codes et règlements locaux, ou, en l'absence de tels règlements, selon les codes d'installation, ANSI Z223.1/NFPA 54, ou CSA B149.1 Natural Gas and Propane Installation Codes en vigueur. L'appareil doit être installé conformément à la norme CAN/CSA Z240 Série MM, Maisons mobiles au Canada, ou avec la norme de construction et de sécurité à domicile manufacturée, Titre 24 CFR, Partie 3280 aux États-Unis, ou ANSI/NCSBSCS A225.1/NFPA 501A. Si ces normes ne sont pas applicables, veuillez vous référer à la norme ANSI/NCSBSCS A225.1/NFPA 501A, Manufactured Home Installations Standard, ou ANSI A119.2 ou NFPA 501C Standard for Recreational Vehicles. Cet appareil doit être utilisé uniquement avec les types de gaz indiqués sur la plaque signalétique et peut être installé dans une maison préfabriquée (É. - U. seulement) ou mobile installée à demeure si les règlements. Voir manuel du propriétaire pour plus de détails. Cet appareil ne peut pas être utilisé avec d'autres gaz sauf si une trousse de conversion certifiée est fournie.

Foyer au gaz à évacuation. Ne pas utiliser avec un combustible solide.
Ne pas utiliser de filtre à air avec ce foyer au gaz à évacuation.

ATTENTION : Ne pas utiliser l'appareil si le panneau frontal en verre n'est pas en place, est craqué ou brisé. Confiez le remplacement du panneau à un technicien agréé. Assurez-vous que le verre est bien scellé. Suivre les instructions d'installation.
Utiliser uniquement avec l'écran no Suivre les instructions d'installation.

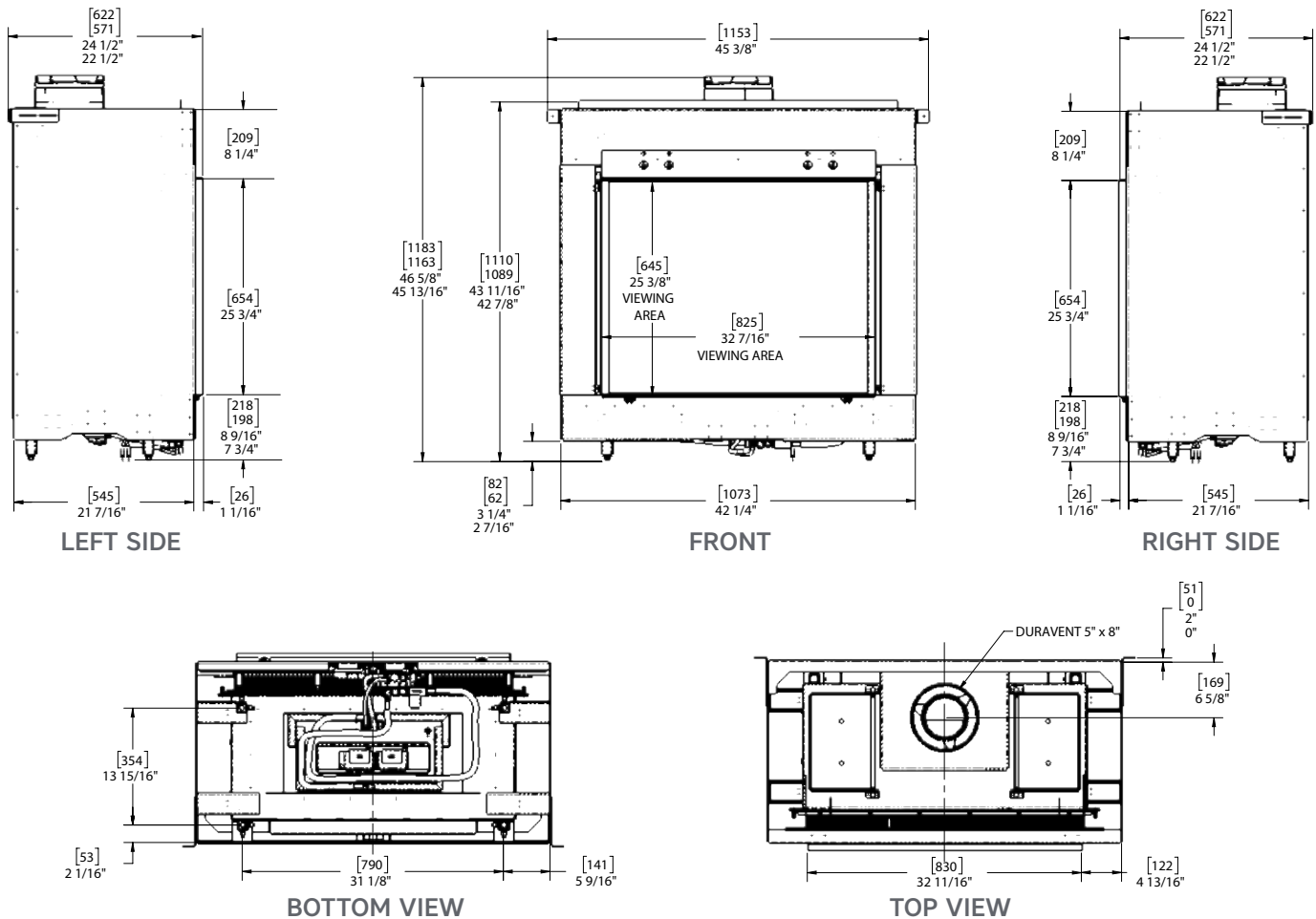
7123130100
MADE IN CANADA / FABRIQUÉ AU CANADA

Fireplace Information

Technical Dimensions



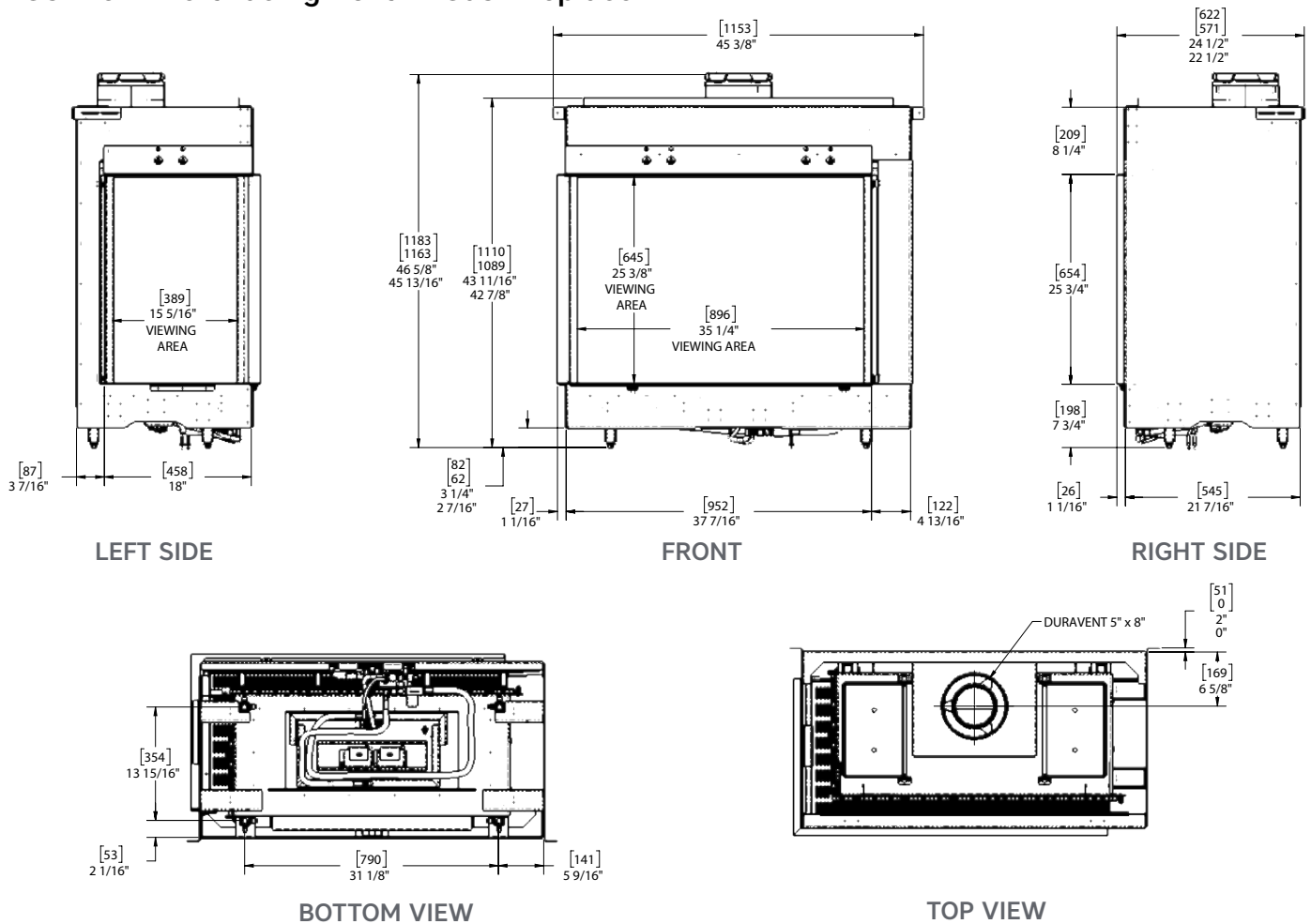
FMG3326F - Front-facing Built-in Gas Fireplace



Technical Dimensions



FMG3726L - Left-facing Built-in Gas Fireplace

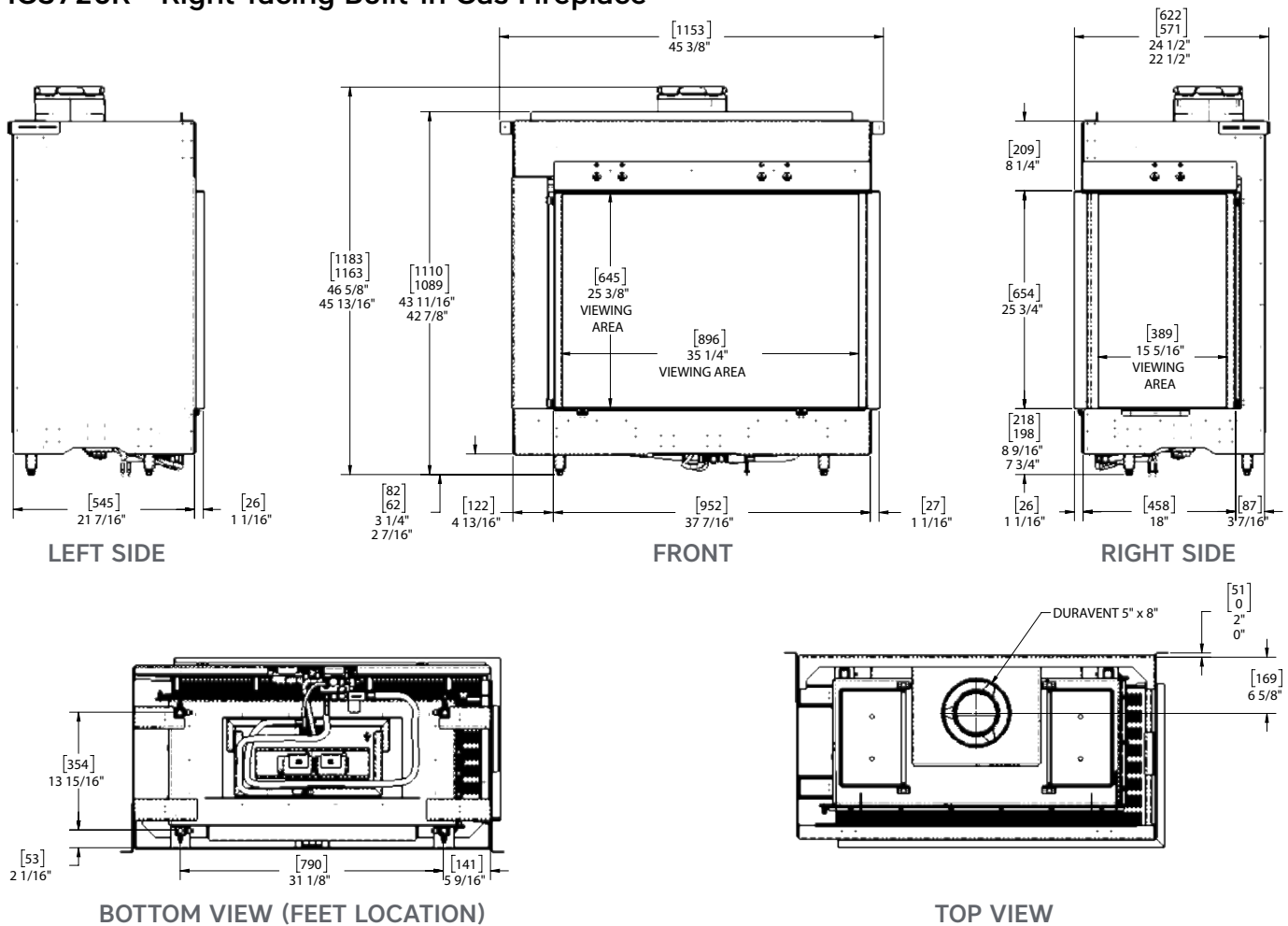


Fireplace Information

Technical Dimensions



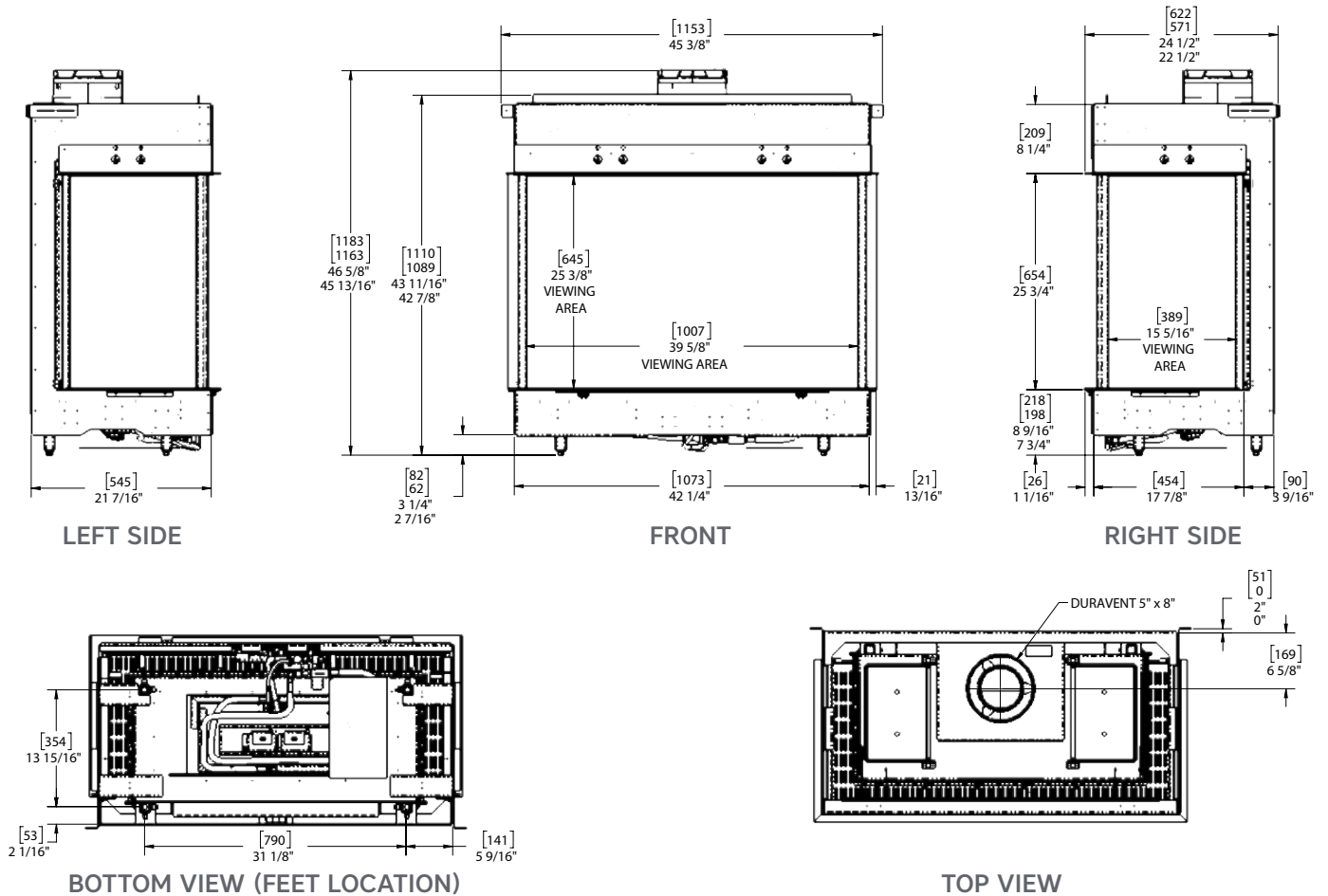
FMG3726R - Right-facing Built-in Gas Fireplace



Technical Dimensions



FMG4126B - Bay Built-in Gas Fireplace

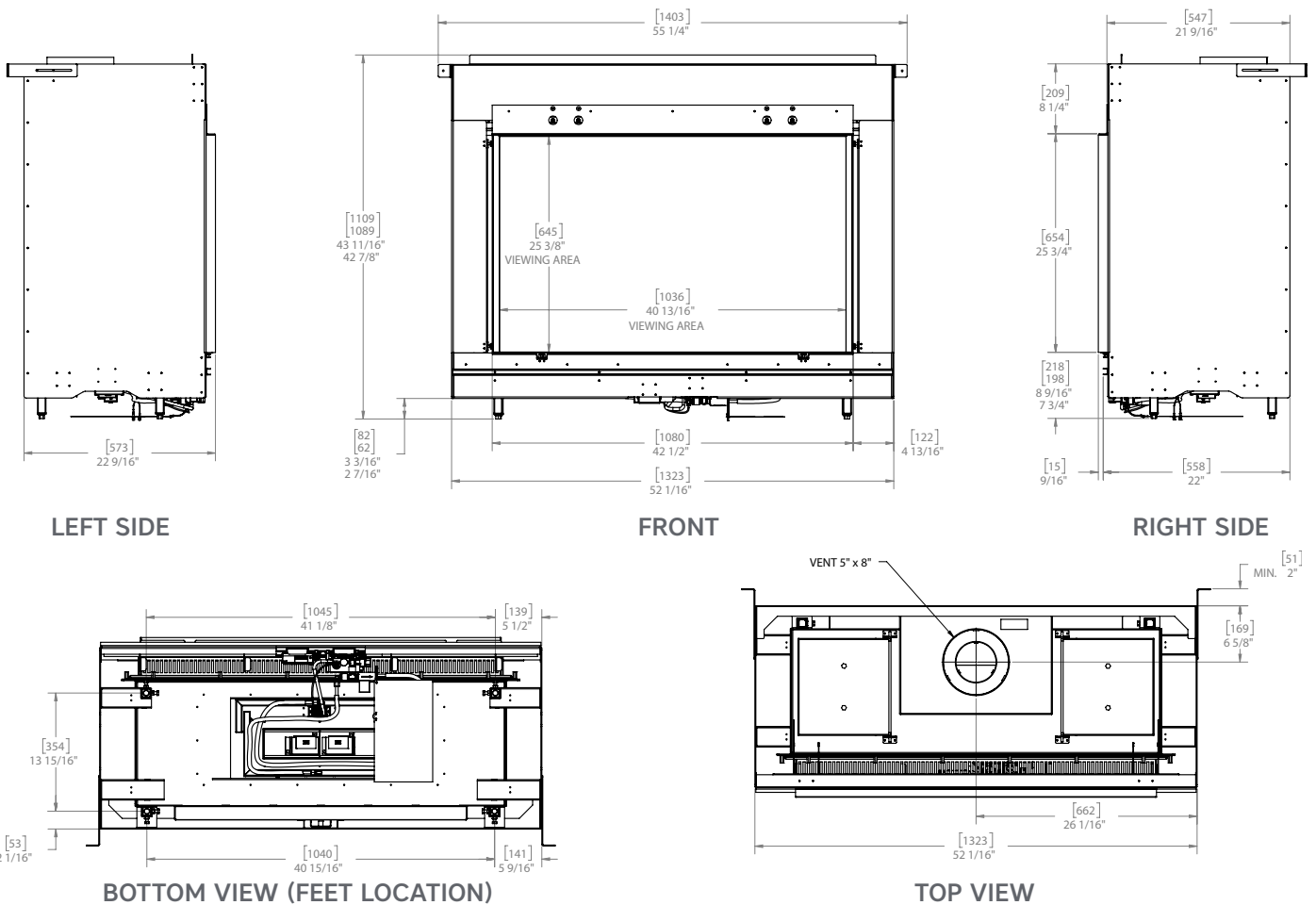


Fireplace Information

Technical Dimensions



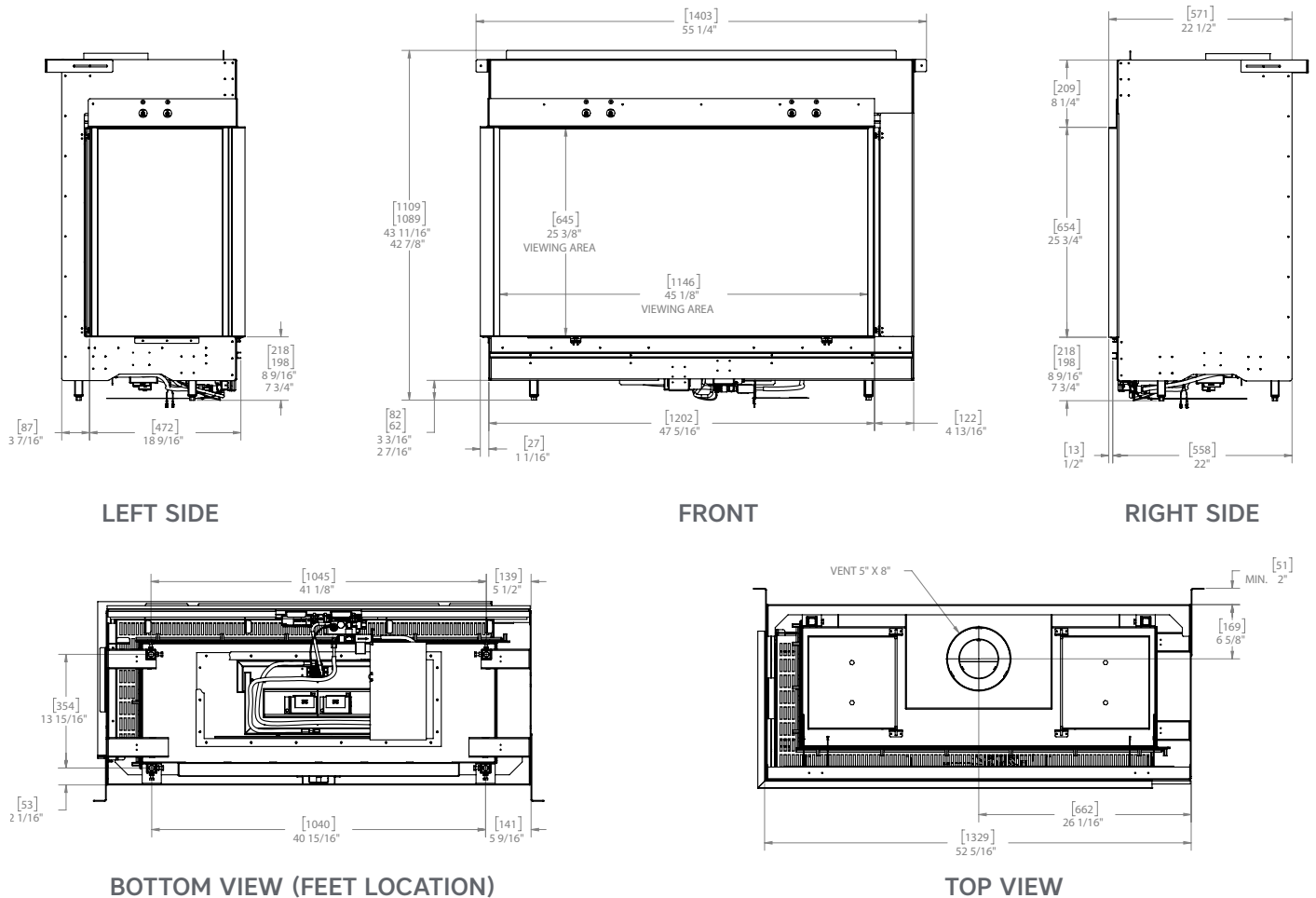
FMG4326F - Front-facing Built-in Gas Fireplace



Technical Dimensions



FMG4726L - Left-facing Built-in Gas Fireplace

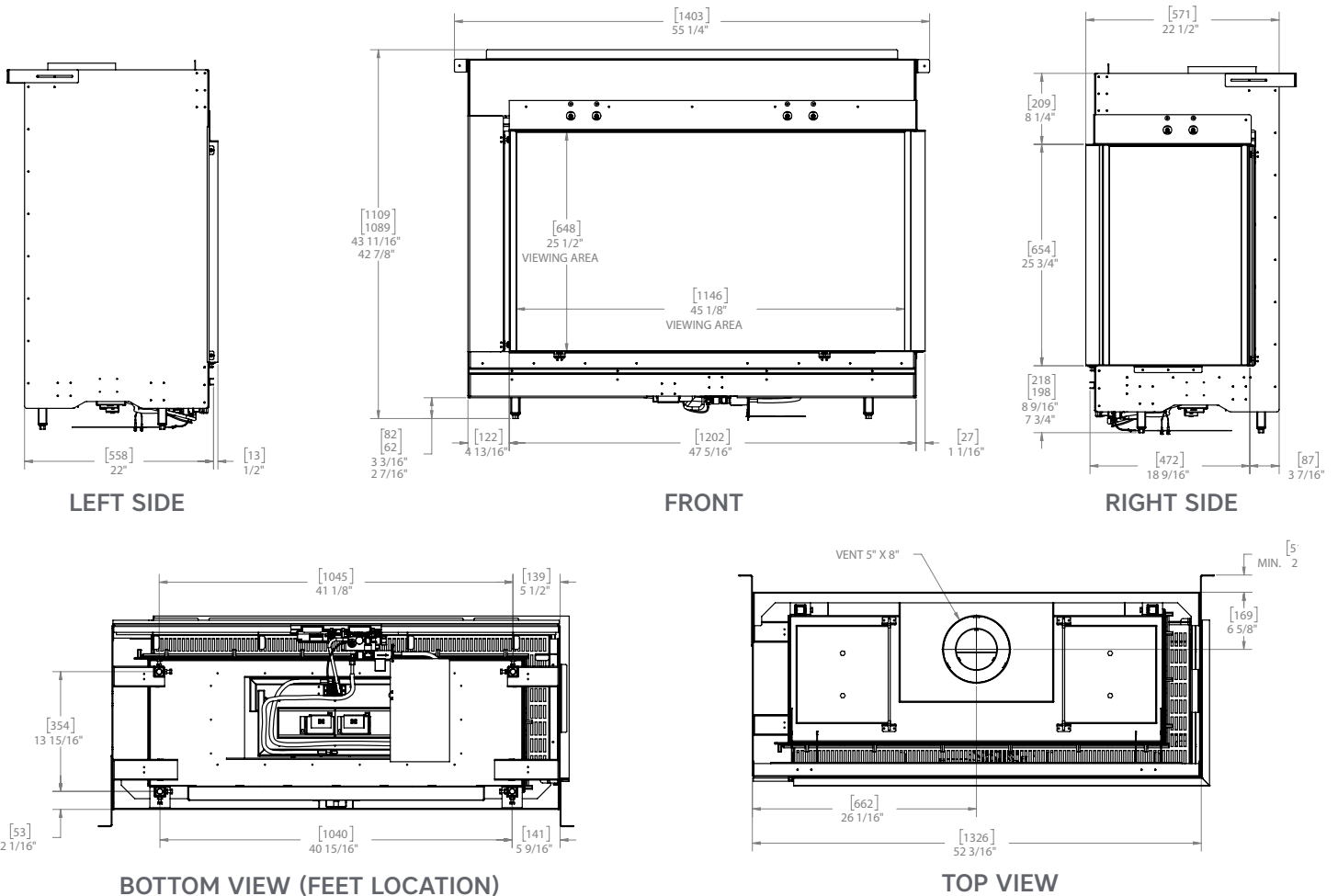


Fireplace Information

Technical Dimensions



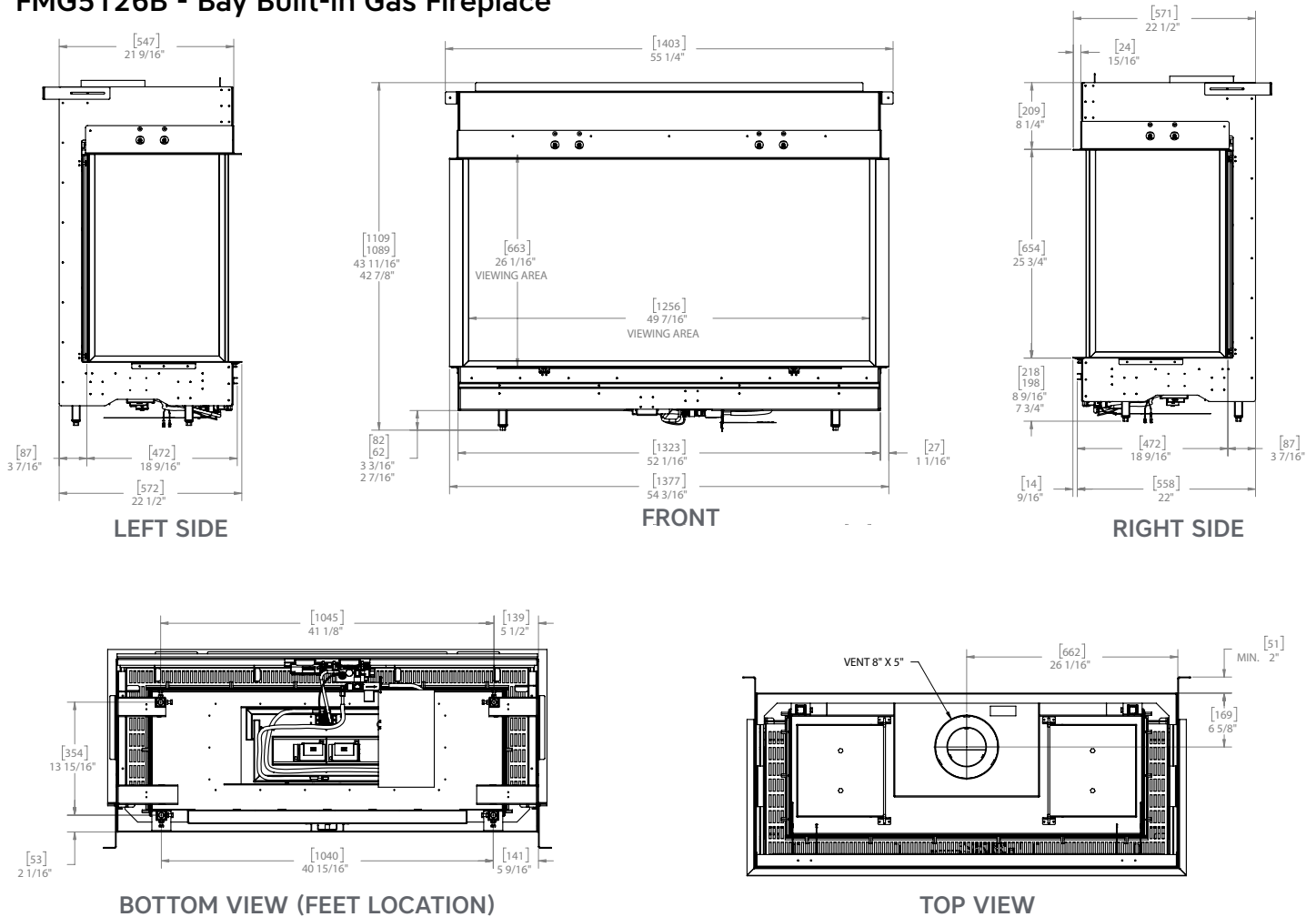
FMG4726R - Right-facing Built-in Gas Fireplace



Technical Dimensions

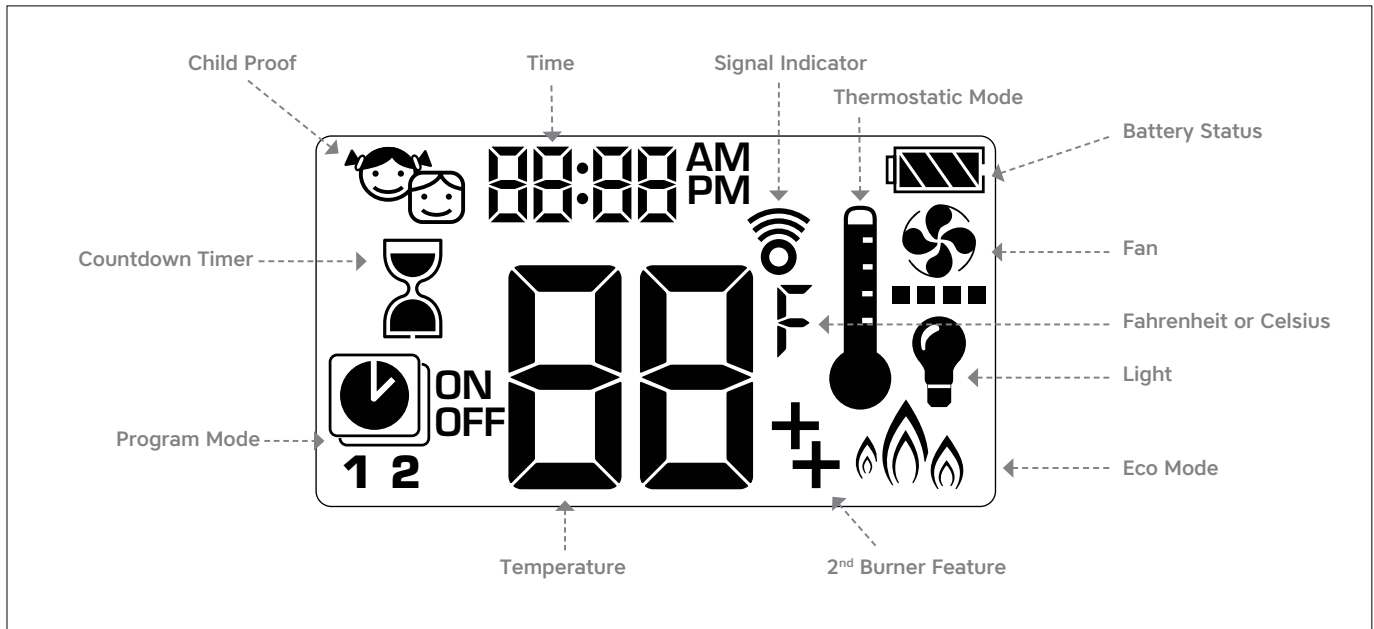


FMG5126B - Bay Built-in Gas Fireplace

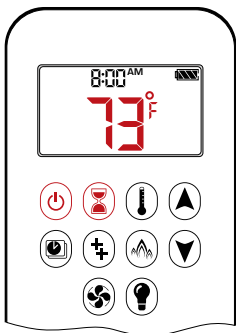


Gas Fireplace Operation

Remote Control Instructions



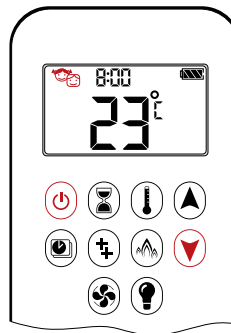
SETTING FAHRENHEIT OR CELSIUS



- To change between °C and °F, press and buttons simultaneously.

NOTE: Choosing °F results in a 12 hour clock. Choosing °C results in a 24 hour clock.

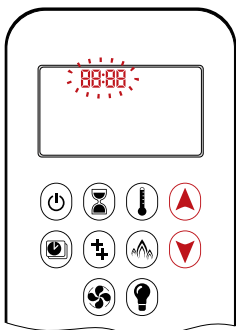
CHILD PROOF



- ON:**
- To activate press and buttons simultaneously.
 - is displayed and the Symax is rendered inoperable, except for the **OFF** function.

- OFF:**
- To deactivate press and buttons simultaneously.
 - disappears.

SETTING THE TIME




- Press and simultaneously. **Day** flashes.
- Press or button to select a number to correspond with the day of the week (e.g. 1=Monday, 2=Tuesday, 3=Wednesday, 4=Thursday, 5=Friday, 6=Saturday, 7=Sunday).
- Press and simultaneously. **Hours** flashes.
- To select hour press or button.
- Press and buttons simultaneously. **Minutes** flashes.
- To select minutes press or button.
- To confirm press and buttons simultaneously or wait.

MANUAL MODE (HANDSET)

NOTICE

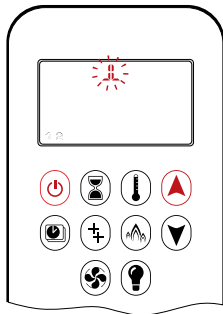
BEFORE OPERATING




1. Make sure MANUAL knob on the GV60 valve is in the **ON**, full counterclockwise  position.
2. Place the **ON/OFF** switch (if equipped) in the **I (ON)** position.

TO TURN ON FIRE

⚠ WARNING

When pilot ignition is confirmed, motor turns automatically to maximum flame height.



- Press  button (One Button Ignition) or  and  button simultaneously (Two Button Ignition) until two short beeps (CE version) or continuous beeping (CSA version) and a blinking series of lines confirms the start sequence has begun; release button(s).
- Main gas flows once pilot ignition is confirmed.
- The Symax automatically goes into Manual Mode after main burner ignition.

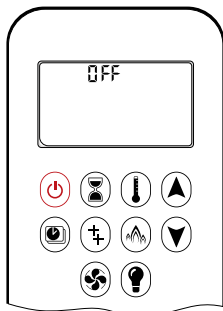
If the pilot does not stay lit after several tries, turn the main valve knob to OFF and follow the instructions "TURN OFF GAS TO APPLIANCE"

STANDBY MODE (PILOT FLAME)

Handset

- Press and hold  button to set appliance to pilot flame.

TO TURN OFF FIRE

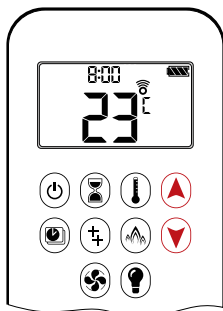


Handset



- Press  button to turn off.

NOTE: A new ignition is possible after the **OFF** icon stops flashing.

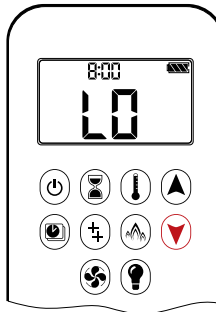
FLAME HEIGHT ADJUSTMENT




Handset

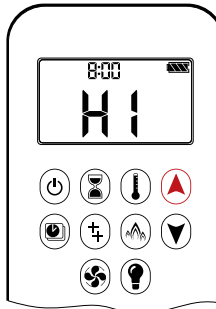
- To increase flame height press and hold  button.
- To decrease flame height or to set appliance to pilot flame, press and hold  button.


DESIGNATED LOW FIRE AND HIGH FIRE



- To go to low fire, double-click  button.
- **LO** is displayed.

NOTE: Flame goes to high fire first before going to low fire.

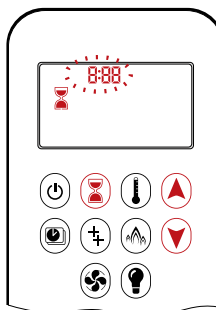


- To go to high fire, double-click  button.
- **HI** is displayed.









⚠ WARNING

If the appliance will not operate, follow the instructions "TURN OFF GAS TO APPLIANCE"

COUNTDOWN TIMER



ON /SETTING:

1. Press and hold  button until  is displayed, and **hour** flashes.
2. To select hour press  or  button.
3. To confirm press  button. **Minutes** flash.
4. To select minutes press  or  button.
5. To confirm press  button or wait.

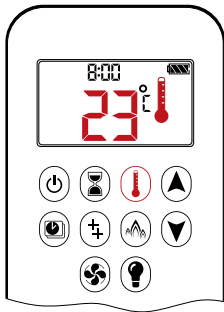
OFF :

- Press  button.
-  and Countdown Time disappear.

NOTE: At end of Countdown Time period, the fire shuts off. The Countdown Timer only works in Manual, Thermostatic, and Eco Modes. Maximum Countdown Time is 9 hours and 50 minutes.

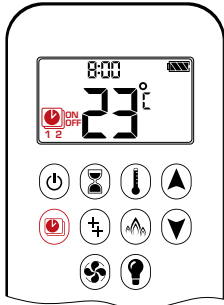
Gas Fireplace Operation

MODES OF OPERATION



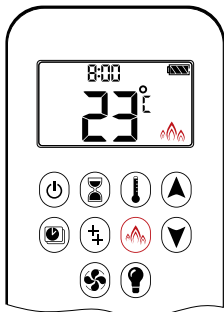
Thermostatic Mode

The room temperature is measured and compared to the set temperature. The flame height is then automatically adjusted to achieve the set temperature.



Program Mode

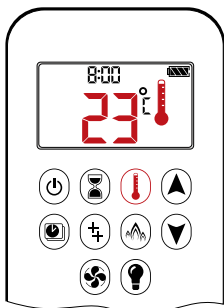
PROGRAM 1 and 2, each can be programmed to go ON and OFF at specific times at a set temperature.



Eco Mode

Flame height modulates between high and low. If the room temperature is lower than the set temperature, the flame height stays on high for a longer period of time. If the room temperature higher than the set temperature, the flame height stays on low for a longer period of time. One cycle lasts approx. 20 minutes.

THERMOSTATIC MODE



ON:

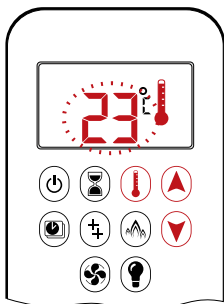
- Press button.
- is displayed, preset temperature is displayed briefly, and then room temperature is displayed.

OFF:

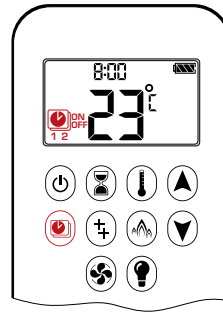
- Press button.
- Press or button to enter Manual Mode.
- Press button to enter Program Mode.
- Press button to enter Eco Mode.

SETTING:

- Press button and hold until is displayed, temperature flashes.
- To adjust set temperature press or button.
- To confirm press button or wait.

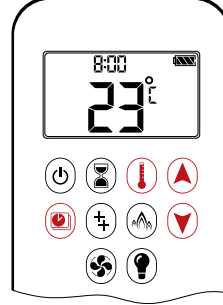


PROGRAM MODE



ON:

- Press button.
- , 1 or 2, ON or OFF is displayed.



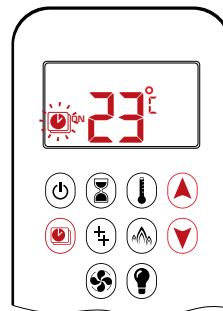
OFF:

- Press button.
- Press or button to enter Manual Mode.
- Press button to enter Thermostatic Mode.
- Press button to enter Eco Mode.

NOTE: The set temperature for Thermostatic Mode is the temperature for the ON time in Program Mode. Changing the Thermostatic Mode set temperature also changes the ON time temperature in Program Mode.

Default settings:

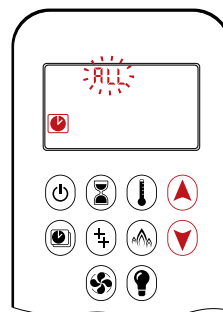
ON TIME (Thermostatic) TEMPERATURE: 70°F / 21°C
OFF TIME TEMPERATURE: " -- " (pilot flame only)



TEMPERATURE SETTING:

- Press button and hold until flashes ON and set temperature (setting in Thermostatic Mode) is displayed.
- To continue press button or wait. , OFF is displayed, temperature flashes.
- Select OFF temperature by pressing the or button.
- To confirm press button.

NOTE: The ON (Thermostatic) and OFF set temperatures are the same for each day.

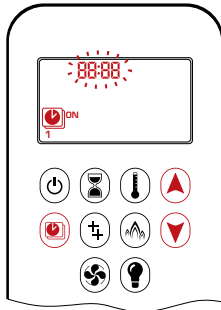


DAY SETTING:

- ALL flashes. Press or button to choose between ALL, SPSU, 1, 2, 3, 4, 5, 6, 7.
- To confirm press button.

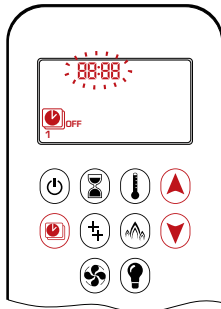
PROGRAM MODE

RLL selected



ON TIME SETTING (PROGRAM 1):

7. Press **1, ON** is displayed, **RLL** is displayed shortly, and **hour** flashes.
8. To select hour press **▲** or **▼** button.
9. To confirm press **⊙** button. **1, ON** is displayed, **RLL** displayed shortly, and **minutes** flash.
10. To select minutes press **▲** or **▼** button.
11. To confirm press **⊙** button.



OFF TIME SETTING (PROGRAM 1):

12. Press **1, OFF** is displayed, **RLL** is displayed shortly, and **hour** flashes.
13. To select hour, press **▲** or **▼** button.
14. To confirm press **⊙** button. **1, OFF** is displayed, **RLL** is displayed shortly, and **minutes** flash.
15. To select minutes press **▲** or **▼** button.
16. To confirm press **⊙** button.

NOTE: Either continue to PROGRAM 2 and set **ON** and **OFF** times or stop programming at this point, and PROGRAM 2 remains deactivated.

NOTE: PROGRAM 1 and 2 use the same **ON** (Thermostatic) and **OFF** temperatures for **RLL**, **SR5U** and Daily Timer (1, 2, 3, 4, 5, 6, 7). Once a new **ON** (Thermostatic) and/or **OFF** temperature has been set, that temperature becomes the new default setting.

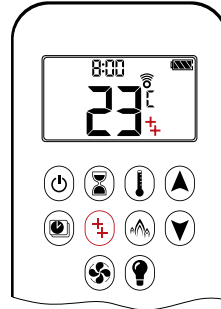
NOTE: If **RLL**, **SR5U** or Daily Timer are programmed for PROGRAM 1 and PROGRAM 2 **ON** and **OFF** times, these become the new default times. The batteries must be removed to clear the PROGRAM 1 and PROGRAM 2 **ON** and **OFF** times and temperatures.

SR5U or Daily Timer (1, 2, 3, 4, 5, 6, 7) selected

- Set **ON** time and **OFF** time using same procedure as **RLL** "selected" (above).
- **SR5U:** Set **ON** time and **OFF** time for both Saturday and Sunday.
- **Daily Timer:** Unique **ON** and **OFF** times may be set for a single day of the week, for multiple days of the week, or for every day of the week.
Wait to finish setting.

2ND BURNER FEATURE

The latching solenoid valve will open automatically after ignition or after switching the system **OFF**, so that the maximum flow of gas is supplied to both burners assisting with the ignition process. After pressing the button for the 2nd Burner the motor will turn 7 seconds in the **ON** direction until the max. position is reached.



ON:

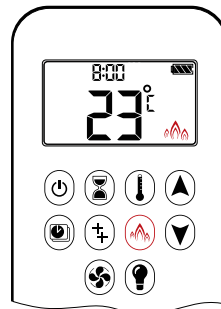
- To switch a burner **ON**, press the **⊕** button.
- **⊕** displayed.

OFF:

- To switch the burner **OFF**, press the **⊕** button.
- **⊕** disappears.

NOTE: The latching solenoid valve cannot operate manually. If the Receiver battery runs down it will remain in the last operating position.

ECO MODE



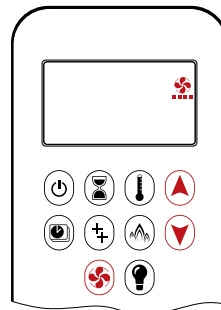
ON:

- Press **⊕** button to enter Eco Mode.
- **🔥** is displayed.

OFF:

1. Press **⊕** button.
2. Press **▲** or **▼** button to enter Manual Mode.
3. Press **⊙** button to enter Thermostatic Mode.
4. Press **⊙** button to enter Program Mode.

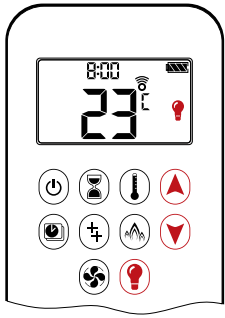
CIRCULATING FAN OPERATION



Does not apply to the models referenced in this manual.

Gas Fireplace Operation

LIGHT/DIMMER OPERATION



ON:

- Press button (is displayed).
- Light is **ON** at preset level.

OFF:

- Press button (disappears).

SETTING:

1. Press button and hold until flashes.
2. To adjust light between 20...100% press or button.
3. To confirm setting either press button or wait (is displayed).

NOTE: The Light works independently of the pilot flame. If you want the light **ON** but no flame, press button.

Receiver and Remote Batteries

Remote Control Batteries

- 2 × AAA (alkaline recommended).
- Low battery indicator on handsets with display.
- Battery replacement is recommended every 2 years.

Receiver Batteries

- 4 × AA (alkaline ONLY)
- Low battery indicator: Frequent beeps for 3 seconds when motor turns.
- If A/C adaptor is not used, battery replacement is recommended at the beginning of each heating season as part of the yearly service check.



CAUTION: DO NOT USE a screwdriver or other metallic object to remove the batteries from the battery box! This could cause a short circuit to the system.

Pairing Remote with Fireplace Receiver

Your remote will come paired with the fireplace receiver and will be ready for operation out of the box. In the event of remote or receiver replacement, use the following procedure to pair the remote with the receiver:


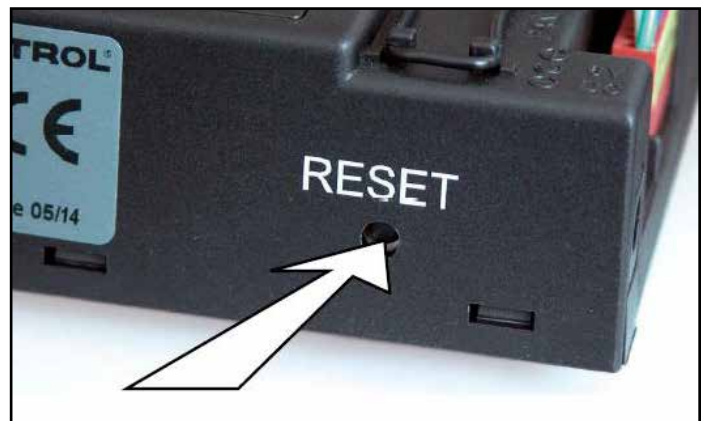
1. Press and hold the receiver's reset button (see Figure 1) until you hear two (2) beeps. The first beep is short, and the second beep is long. After the second beep, release the reset button.
2. Within the subsequent 20 seconds, press the  button on the handset until you hear two additional short beeps confirming the code is set. If you hear one long beep, this indicates the code learning sequence has failed or the wiring is incorrect.

Figure 1



Installation Steps

1. Prior to starting the installation, make sure you read and understand all WARNING information in this manual. Do not start the installation if you are unclear about any of the installation-related subjects.
2. Determine the following:
 - The vent system configuration to be used based on the fireplace location.
 - Clearance requirements from combustible and non-combustible materials.
 - Gas supply piping.
 - Electrical wiring requirements.
 - Framing and finishing details.
3. Unpack the fireplace box, following instructions for fireplace unpacking.
4. Put the fireplace in the desired location. Verify clearance to non-combustible and combustible materials. Follow the clearance instructions in this manual.
5. Attach the brackets of the unit to the wall framing
6. Connect the vent system to the fireplace.
7. Connect the gas line to the fireplace and verify gas inlet and outlet pressure.
8. Confirm if adjustments for high altitude are needed (installation at above 4500 ft from sea level).
9. Install receiver batteries or if using mains power, ensure electrical outlet is within 2.5m and plug AC/DC adaptor to receiver and to wall receptacle.
10. Insert and place Fireplace media. Use media arrangement guide from the manual.
11. Verification of:
 - Ignition and pilot system.
 - Burning and flame.
 - Remote control Setup
12. Complete framing and wall cover.
13. Remove blue protective film from glass and clean glass.
14. Re-install the glass, and unpack and install the safety barrier.
15. Ensure the homeowner is familiar with operation of the fireplace and remote control, and can locate the the ignition instructions and rating label.
16. Ensure the homeowner has paperwork showing the details of the fireplace (model, serial number, installation date) and the details of the installer.
17. Ensure the homeowner is aware of regular maintenance schedules and potential problems that will require service.



Read all the instructions before starting the installation. Follow these instructions carefully during the installation to ensure maximum safety and benefit. Follow the steps above to ensure proper installation of the gas appliance.

WARNING

WARNING! Risk of fire or explosion! Damaged parts could impair safe operation. DO NOT install damaged, incomplete or substitute components.

Installation Preparation

Fireplace Unpacking and Contents



Remove the outer protective crate from the pallet.

The Faber MatriX fireplace is supplied with the following contents. Ensure all components are present before installation. All components may not be packed exactly as shown.



MatriX Firebox

Safety Screen

Remote, Manual, Accessories



Logs

DuraVent Adaptor

Decorative Glass

Installation Preparation

Fireplace Positioning

Once the fireplace has been set to the upright position, it can be moved to its final installation location.

- Make sure the control unit is secure and not dragging on the floor during transport and positioning.
- Unit should remain on the pallet during transport inside the site location.
- When positioning the fireplace, take into consideration the clearance requirements and framing.
- Ensure unit is level. Adjust feet to level unit if necessary.
- Attach the fireplace top brackets to the metal stud in the back to secure the fireplace. The bracket length can be adjusted by releasing the screws on the top.



Fireplace should remain on the wood pallet when carried to final installation location.

Do not attempt to use a pallet jack or any other moving tools if the unit has been removed from the wood pallet as it may harm the fireplace components under the unit.

Vent Termination



These instructions should be used as a guideline and do not supersede local codes in any way. Install venting according to local codes, these instructions, the current National Fuel Gas Code (ANSI-2223.1) and/or Natural Gas and Propane Installation Code, CSA B149.1

Instructions

1. Where a vent pipe passes through a floor or ceiling, a ceiling firestop MUST be used to retain insulation and maintain proper clearances. Use roof support brackets where needed.
2. Install the first section of vent pipe into the collar on top of the fireplace.
3. Connections between each vent system component must be tightly joined and secured. Follow the vent manufacturer's instructions for information on how to seal and secure vent and vent connections.
4. Horizontal runs of vent pipe must be supported to prevent any downward sags. Horizontal pipe sections should be supported at least every 4 feet. Wall straps can be used for this purpose.
5. When installing the vent pipe, make sure that the vent pipe is supported by the structural/frame surrounding and not by fireplace.

Follow the vent manufacturer's instruction for information on how to install, seal, and secure vent and vent connections.

Framing for vents in combustible walls and ceilings:

When passing through combustible walls and ceilings, framing will depend on the type of vent installation – horizontal or vertical. Ensure that the insulation is kept clear of the vent pipe using either a wall thimble or an attic insulation shield. Follow the installation instructions supplied with the individual venting components.

Approved Pipe - This appliance is approved for use with M&G DuraVent venting.

DO NOT mix pipe, fittings or joining methods from different manufacturers.

For detailed chimney installation information please use the manufacturer's direct vent installation manual.

WARNING

DO NOT pack insulation around the vent. Insulation must be kept back from the pipe to prevent overheating. ALWAYS maintain specified clearances around venting and firestop systems. Install wall shield and ceiling firestops as specified.

Vent Size

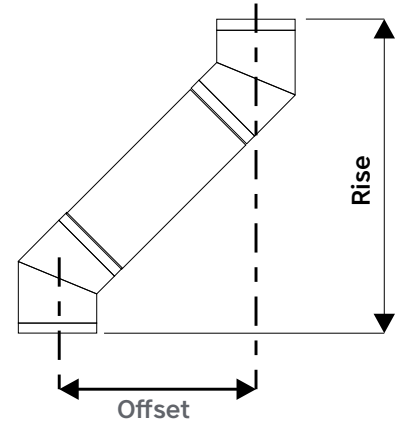
The fireplace will require a 5" × 8" vent.

Models		Vent Size
FMG3326F	FMG4326F	5x8
FMG3726L	FMG4726L	
FMG3726R	FMG4726R	
FMG4126B	FMG5126B	

Vent Termination

Minimum Combustible Clearances from Vent

- Horizontal Vent Clearances**
 A minimum clearance of 3" (76 mm) to the top and 1" (26 mm) to the sides and bottom of the vent pipe on all horizontal runs to combustibles is required.
- Vertical Vent Clearances**
 A minimum of 1" (26 mm) all around the vent pipe on all vertical runs to combustibles is required except for clearances in appliance enclosures.
- Horizontal vents must have a minimum 1/4" (6 mm) rise per 1 foot towards the termination.

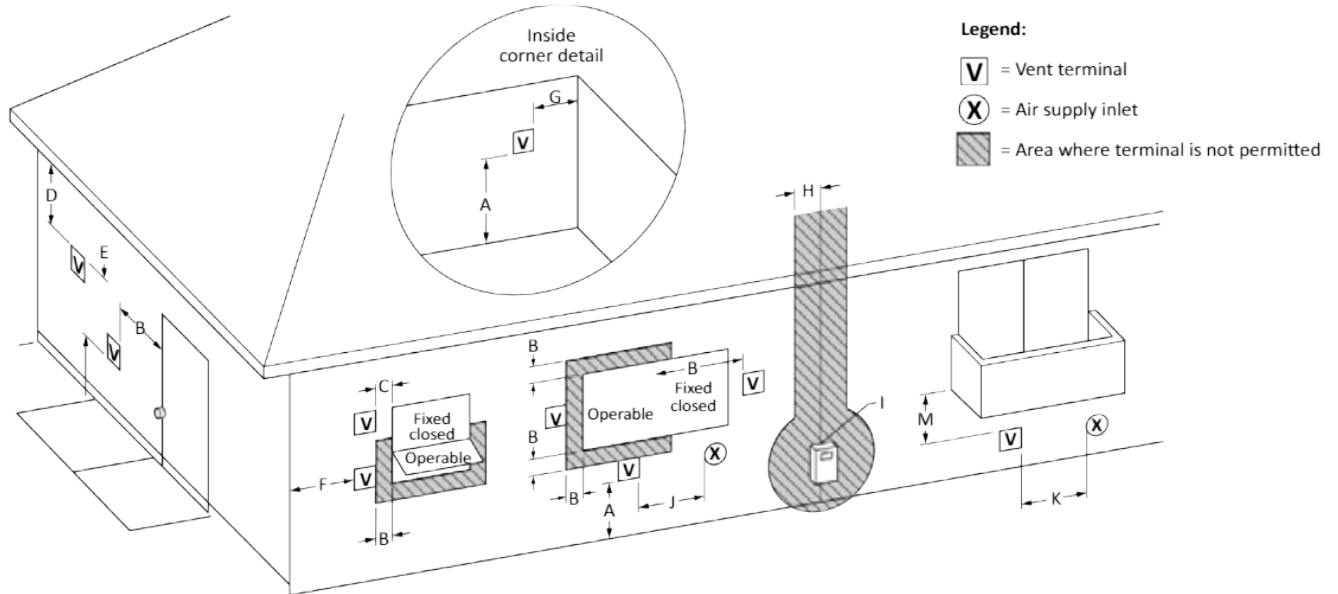


DirectVent Pro and ICC Compatible Vent Terminations

Component Description	DuraVent Stock Number	ICC Stock Number
Wall Thimble	58DVA-WT	TM-5WT
Wall Thimble (Small)	58DVA-WTS	N/A
Wall Thimble (Universal)	58DVA-WTU	N/A
Ceiling Support	58DVA-CS	TM-5RDS
Fire Stop	58DVA-FS	TM-5LS
Wall Fire Stop	58DVA-WFS	TM-5TP
Vinyl Siding Standoff	58DVA-VSS	TM-VSS
Vinyl Siding Standoff (4 Pc. Kit)	58DVA-VSK	TM-VSS
Counter Flashing (Assembled)	58DVA-CF	N/A
Appliance Adaptor	N/A - Provided with appliance	TM-5AA8

For specific instructions on venting components visit the manufacturers website listed below.
 DuraVent Direct Vent Pro - www.duravent.com
 Industrial Chimney Company (ICC) - www.icc-rsf.com

Minimum Clearances to Vent Termination



Minimum Clearance Requirements		Canada ¹	USA ²
A	Clearance above grade, veranda, porch, deck, or balcony	12" (30 cm)	12" (30 cm)
B	Clearance to window or door that may be opened	12" (30 cm)	9" (23 cm)
C	Clearance to permanently closed window	See note ³	See note ³
D	Vertical clearance to ventilated soffit located above the terminal within a horizontal distance of 2 feet (61 cm) from the center line of the terminal (check with the local code)	29" (74 cm)	29" (74 cm)
E	Clearance to unventilated soffit	20" (51 cm)	20" (51 cm)
F	Clearance to outside corner: with AstroCap Termination Cap.	7" (18 cm)	7" (18 cm)
	Clearance to outside corner: with all other approved Termination Caps.	14" (36 cm)	14" (36 cm)
G	Clearance to inside corner: with AstroCap Termination Cap	7" (18 cm)	7" (18 cm)
	Clearance to inside corner: with all other approved Termination Caps	12" (30 cm) 13" (33 cm)	12" (30 cm)
H	Clearance to each side of center line extended above meter/regulator assembly	36" (90 cm) ⁶	See note ³
I	Clearances around meter/regulator	36" (90 cm)	See note ³
J	Clearance to service regulator vent outlet	36" (90 cm)	See note ³
K	Clearance to non-mechanical air supply inlet to building or the combustion air inlet to any other appliance	12" (30 cm)	9" (23 cm)
L	Clearance to a mechanical air supply inlet #3' (91cm) above if within 10' (3m) horizontally.	72" (1.8 m)	36" (90 cm) ⁷
M	Clearance above paved sidewalk or a paved driveway located on public property	84" (2.1m) ⁵	See note ³
N	Clearance under veranda, porch, deck, or balcony	12" (30 cm)	See note ³

Notes:

¹ In accordance with current CSA B149.1, Natural Gas and Propane Installation Code

² In accordance with the current ANSI Z223. 1/NFPA 54, National Fuel Gas Code

³ Clearance in accordance with local installation codes and the requirements of the gas supplier

⁴ A vent shall not terminate directly above a sidewalk or paved driveway which is located between two single family dwellings and serves both dwellings

⁵ Permitted only if veranda, porch, deck, or balcony is fully open on a minimum of two sides beneath the floor

⁶ 3 feet (91 cm) within a height of 15 feet (4.5 m) above the meter/regulator assembly

⁷ 3 feet (91 cm) above - if within 10 feet (3 m) horizontally

Vent Termination

Unit Installation with Horizontal Termination

5" x 8" venting (Rigid Vent Systems)

Minimum Vent Clearances to Combustibles

Horizontal Top*	3" (76 mm)*
Horizontal Side	2" (51 mm)
Horizontal Bottom	2" (51 mm)
Vertical Vent	2" (51 mm)

* Clearances noted must be maintained except when passing through a wall, ceiling or at the termination where the use of a fire stop or wall thimble reduces clearance to 1-1/2" (38 mm).

Recommended Framed Opening Size

Vent Size	Framing Size
5" x 8" (127 x 203 mm)	11" x 11" (279 x 279 mm)

These are the recommended framing dimensions (inside measurements) for the 5" x 8" (127 x 203 mm) rigid vent terminations - for use with a fire stop or wall thimble.

Install the vent system according to the manufacturer's instructions included with the components.

1. Set the unit in its desired location. Check to determine if wall studs or roof rafters are in the way when the venting system is attached. If this is the case, you may want to adjust the location of the unit. Rough in the gas preferably on the right side of the unit and the electrical (junction block is on the left side) on the left.
2. Direct vent pipe and fittings are designed with special twist-lock connections to connect the venting system to the appliance flue outlet. A twist-lock appliance adaptor is required.
3. In conjunction with the Approved Ventsystem, install the adaptor after the unit is set in its desired location. Put a bead of Mill-Pac inside the outer section of the adaptor and a bead of Mill-Pac on the inner collar. Slip the adaptor over the existing inner and outer flue collar. Fasten to the outer collar only with the 3 supplied screws (drilling pilot holes will make this easier). This adaptor is typically factory installed.
4. Level the fireplace and fasten it to the framing using nails or screws through the top and side nailing strips.
5. Assemble the desired combination of pipes and elbows to the appliance adaptor and twist-lock for a solid connection.

! NOTE: For best results and optimum performance with each approved venting system, it is highly recommended to apply Mill-Pac sealant (supplied) to every inner pipe connection. Failure to do so may result in drafting or performance issues not covered under warranty.

! NOTE: Horizontal runs of vent must be supported every 3 ft (0.9 m). Wall straps are available for this purpose.

6. Mark the wall for a square hole (see chart to left for size.) The center of the square hole should line up with the centerline of the horizontal pipe. Cut and frame the square hole in the exterior wall where the vent will be terminated. See diagram 2 for center line requirements. If the wall being penetrated is constructed of non-combustible material, i.e., masonry block or concrete, an 8" (203 mm) diameter hole is acceptable.

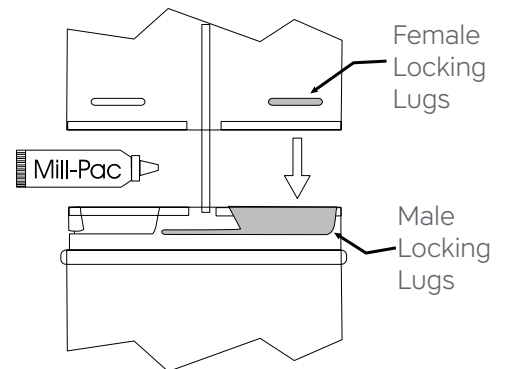


Diagram 1

Unit Installation with Horizontal Termination

- ! **NOTE:** a) The horizontal run of vent must be level, or have a 1/4" rise for every 1 foot of run towards the termination. Never allow the vent to run downward. This could cause high temperatures and may present the possibility of a fire.
- b) The location of the horizontal vent termination on an exterior wall must meet all local and national building codes.

7. Ensure that the pipe clearances to combustible materials are maintained (Diagram 3). Install the termination cap.

- ! **NOTE:** If installing termination on a vinyl siding covered wall, a vinyl siding standoff or furring strips must be used to ensure that the termination is not recessed into the siding. The four wood screws provided should be replaced with appropriate fasteners for stucco, brick, concrete, or other types of sidings.

8. Before connecting the horizontal run of vent pipe to the vent termination, slide the Wall Thimble over the vent pipe. The wall thimble is required for all horizontal terminations.
9. Slide the appliance and vent assembly towards the wall, carefully inserting the vent pipe into the vent cap assembly. It is important that the vent pipe extends into the vent cap at a sufficient distance so as to result in a minimum pipe overlap of 1-1/4" (32 mm). Secure the connection between the vent pipe and the vent cap.
10. Install wall thimble in the center of the framed hole and attach with wood screws (Diagram 4).

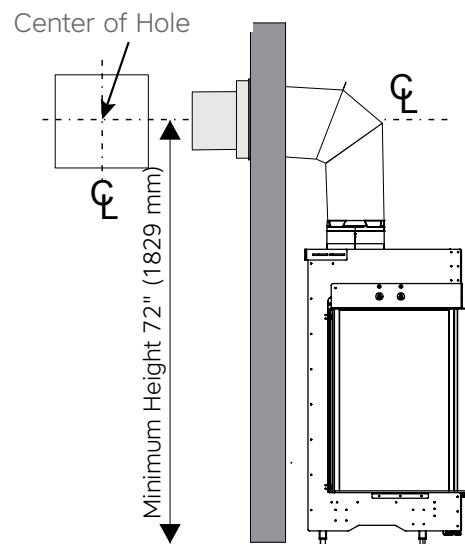


Diagram 2

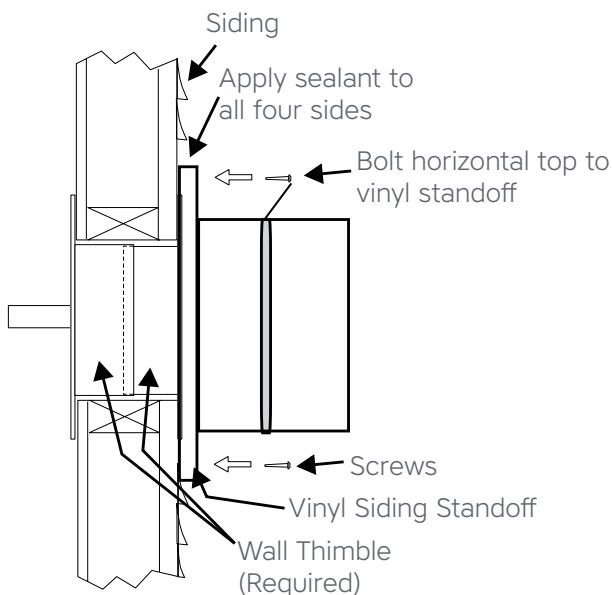


Diagram 3

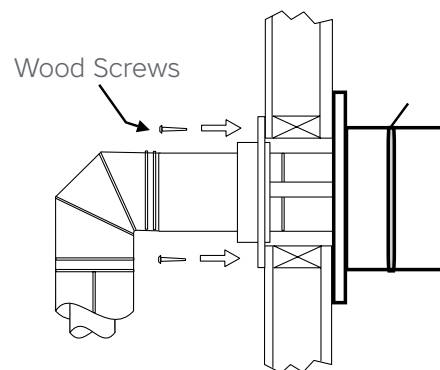


Diagram 4

Vent Termination

Unit Installation with Vertical Termination

! NOTE: A top clearance of 3" (76 mm) and side bottom clearance of 2" (51 mm) must be maintained, except when passing through a wall, ceiling, or at the termination where the use of a fire stop or wall thimble reduces the required clearance to 1-1/2" (38 mm). We recommend building a frame around the fire stop or wall thimble to give structural rigidity for mounting the termination. See manufacturer's table cutout dimensions for appropriate sizing for component used.

1. Maintain the 1-1/2" (38 mm) clearances to combustibles when passing through ceilings, walls, roofs, enclosures, attic rafter, or other nearby combustible surfaces, ensuring that the use of a fire stop or wall thimble is used as noted above. Do not pack clearance space with insulation. Consult the relevant section for the maximum vertical rise of the venting system and the maximum horizontal offset limitations.
2. Set the gas appliance in its desired location. Drop a plumb bob down from the ceiling to the position of the appliance flue exit, and mark the location where the vent will penetrate the ceiling. Drill a small hole at this point. Next, drop a plumb bob from the roof to the hole previously drilled in the ceiling, and mark the spot Diagram 2 where the vent will penetrate the roof. Determine if ceiling joists, roof rafters or other framing will obstruct the venting system. You may wish to relocate the appliance or to offset to avoid cutting load-bearing members.
3. A firestop spacer must be installed in the floor or ceiling of every level.
4. Assemble the desired lengths of pipe and elbows. Ensure that all pipes and elbow connections are in the fully twist-locked position and sealed.

! NOTE: For best results and optimum performance with each approved venting system, it is highly recommended to apply "Mill-Pac" sealant to every inner pipe connection. Failure to do so may result in drafting or performance issues not covered under warranty.

5. Cut a hole in the roof centered on the small drilled hole placed in the roof in Step 2. The hole should be of sufficient size to meet the minimum requirements for clearance to combustibles of 1-1/2" (38 mm). Slip the flashing under the shingles (shingles should overlap half the flashing) as per Diagram 2.
6. Continue to assemble pipe lengths.

! NOTE: If an offset is necessary in the attic to avoid obstructions, it is important to support the vent pipe every 3 feet (0.9 meters), to avoid excessive stress on the elbows, and possible separation. Wall straps are available for this purpose.

Diagram 1

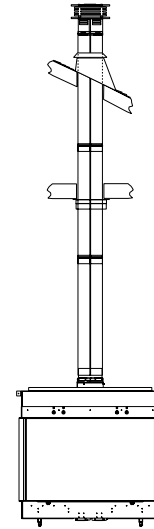
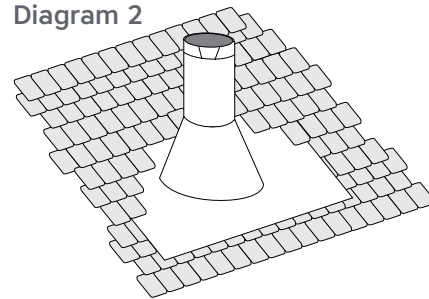
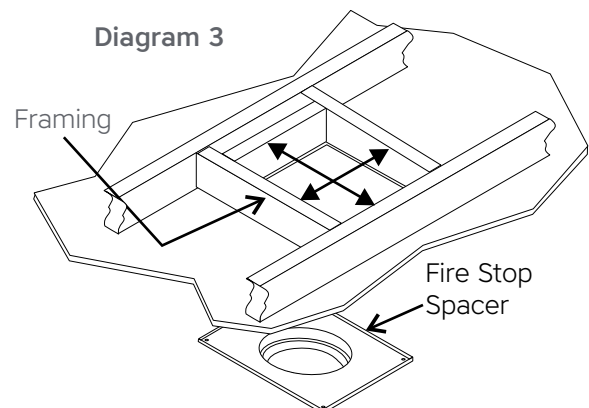


Diagram 2



The upper half of the flashing is installed under the roofing material and not nailed down until the chimney is installed. This allows for small adjustments.

Diagram 3



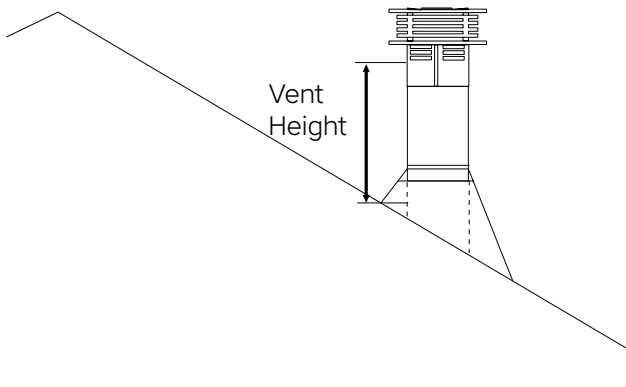
Unit Installation with Vertical Termination

Galvanized pipe is desirable above the roofline due to its higher corrosion resistance. Continue to add pipe sections through the flashing until the height of the vent cap meets the minimum height requirements specified in this manual or local codes. Note that for steep roof pitches, the vertical height must be increased.

7. Ensure vent is vertical and secure the base of the flashing to the roof with roofing nails, slide storm collar over the pipe section and seal with a mastic.
8. Install the vertical termination cap by twist locking it.

! NOTE: Any closets or storage spaces, which the vent passes through must be enclosed.

Diagram 4



Roof Pitch	Minimum Vent Height	
	Feet	Meters
flat to 7/12	2	0.61
over 7/12 to 8/12	2	0.61
over 8/12 to 9/12	2	0.61
over 9/12 to 10/12	2 ½	0.76
over 10/12 to 11/12	3 ¼	0.99
over 11/12 to 12/12	4	1.22
over 12/12 to 14/12	5	1.52
over 14/12 to 16/12	6	1.83
over 16/12 to 18/12	7	2.13
over 18/12 to 20/12	7 ½	2.29
over 20/12 to 21/12	8	2.44

A poor draft, or down drafting can result from high wind conditions near big trees or adjoining roof lines, in these cases. Increasing the vent height may solve the problem.

Offset		Pipe Length		Height	
inches	mm	inches	mm	inches	mm
4 ¾	121	0	0	13 ¼	337
9	229	6	152	17 ½	445
11 ¼	286	9	229	19 ½	495
13 ¼	337	12	305	21 ¾	552
21 ¾	552	24	610	30 ¼	768
30 ¼	768	36	914	39	991
38	965	48	1219	47	1194

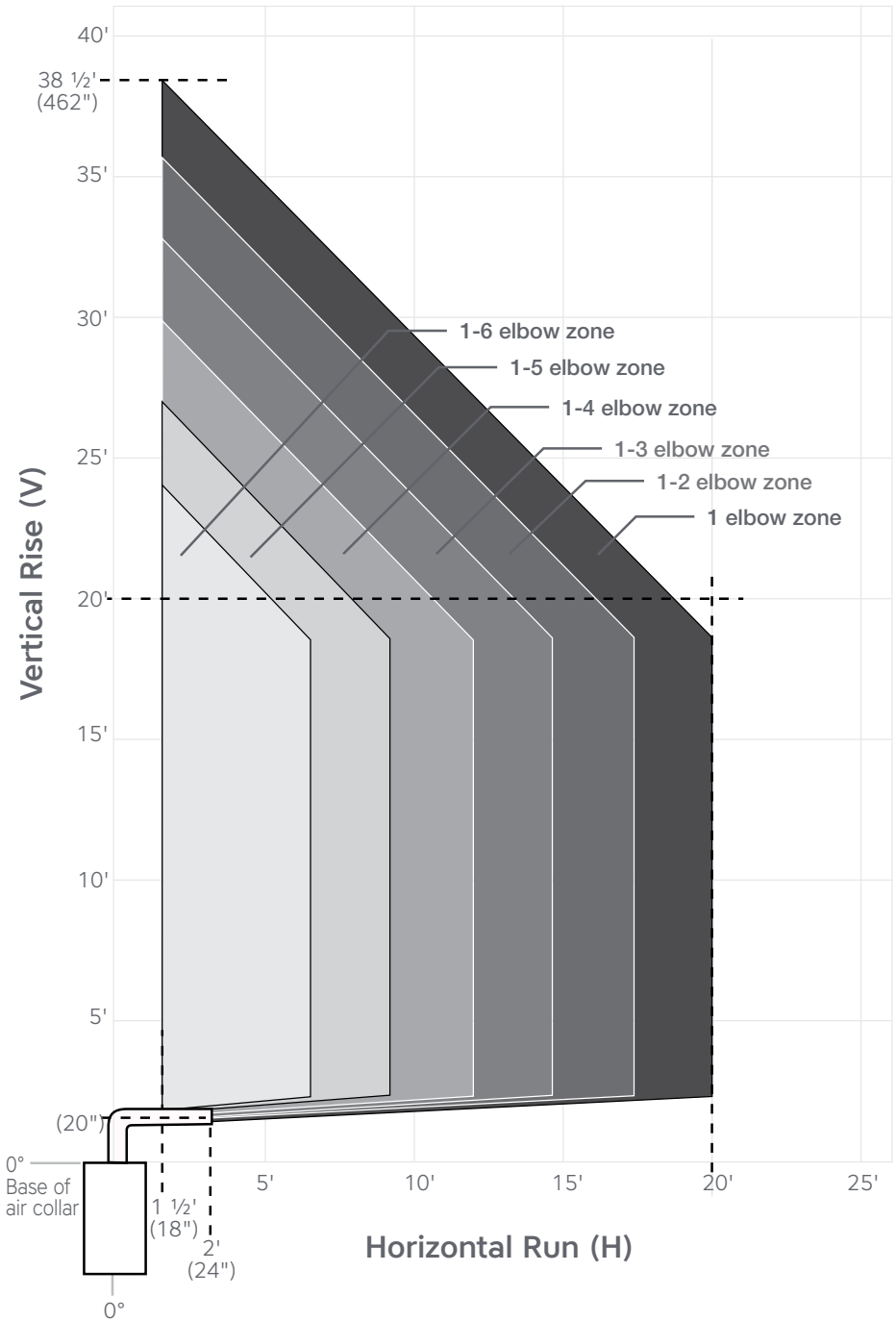
See DuraVent manufacturer's guidelines for minimum cutout dimensions or frame openings around wall venting. Make sure clearances to combustible material are maintained based on vent part used.

! NOTE: Cutout sizes vary according to the DuraVent part number used.

Vent Termination

Minimum Venting Requirements

Allowable Vent Configurations for Horizontal Vent Termination (For Models FMG3326F, FMG3726L, FMG3726R, FMG4126B ONLY)



$V+H \leq 40$ ft.

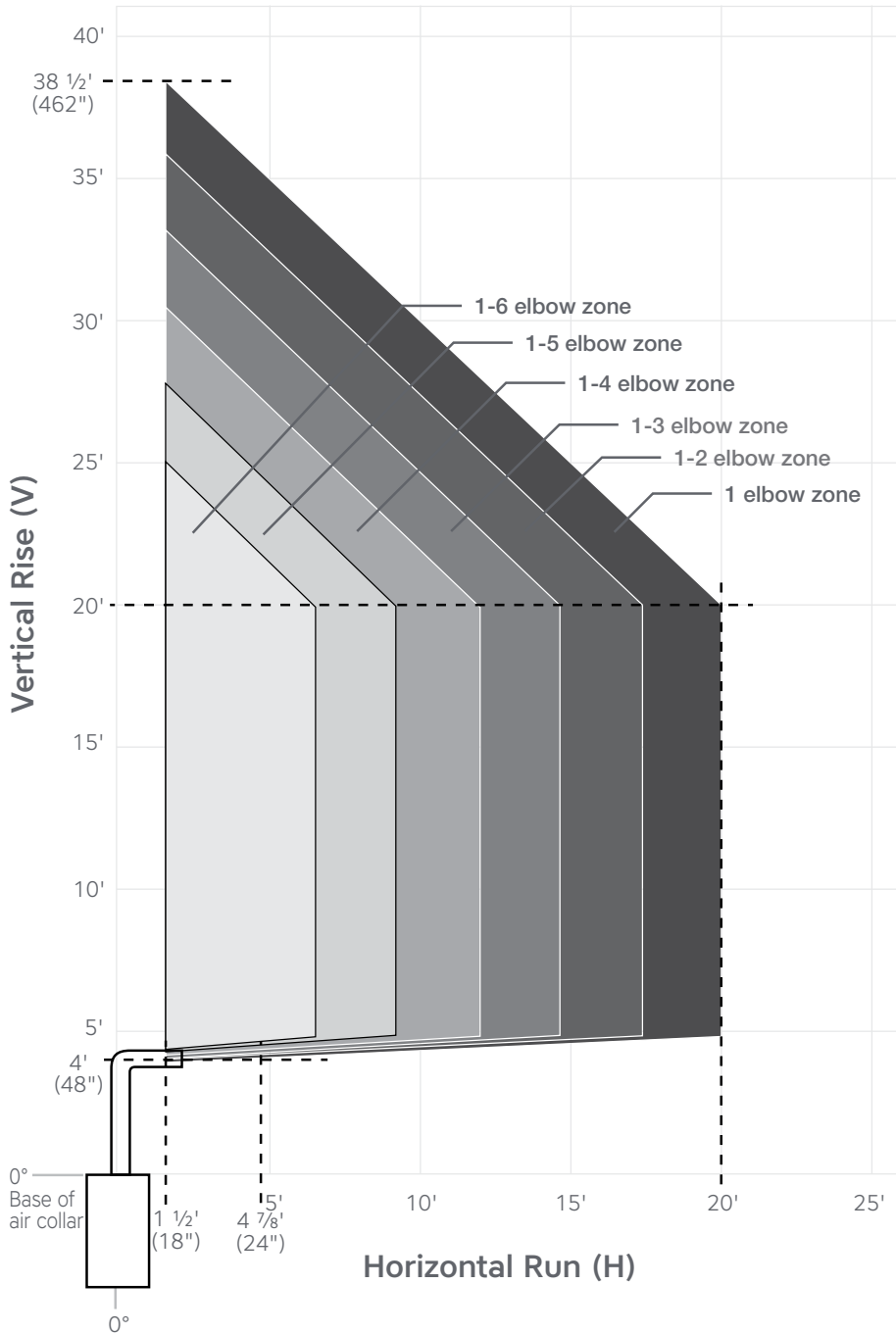
$H \leq 20$ ft.

V + H are measured from the centre of the vent elbows.

Elbows are considered as 90°.

Two 45° elbows = One 90° elbow.

Allowable Vent Configurations for Horizontal Vent Termination (For Models FMG4326F, FMG4726L, FMG4726R, FMG5126B ONLY)



$V+H \leq 40$ ft.

$H \leq 20$ ft.

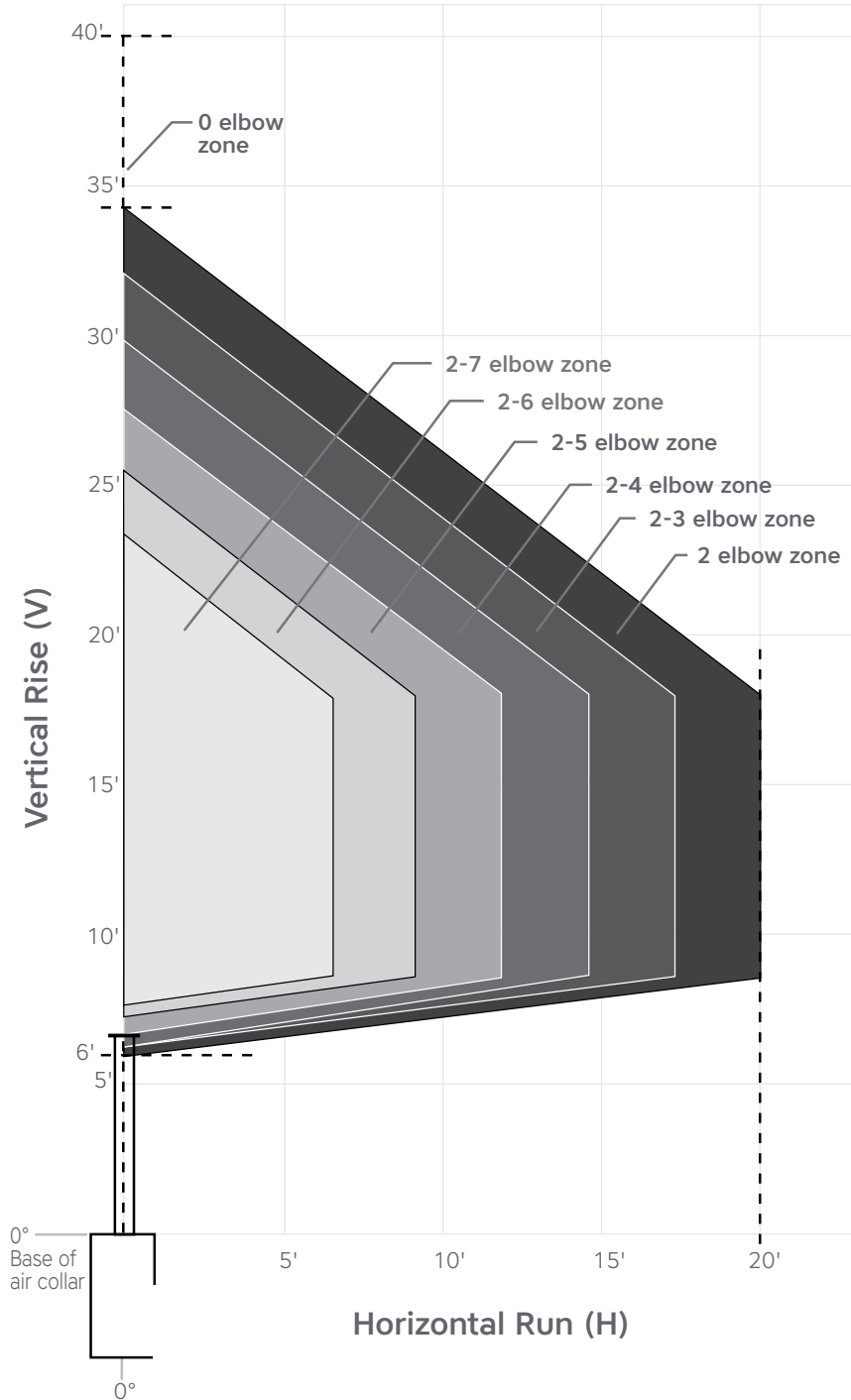
$V + H$ are measured from the centre of the vent elbows.

Elbows are considered as 90°.

Two 45° elbows = One 90° elbow.

Vent Termination

Allowable Vent Configurations for Vertical Vent Terminations (For All Models)



$V+H \leq 40$ ft.

$H \leq 20$ ft.

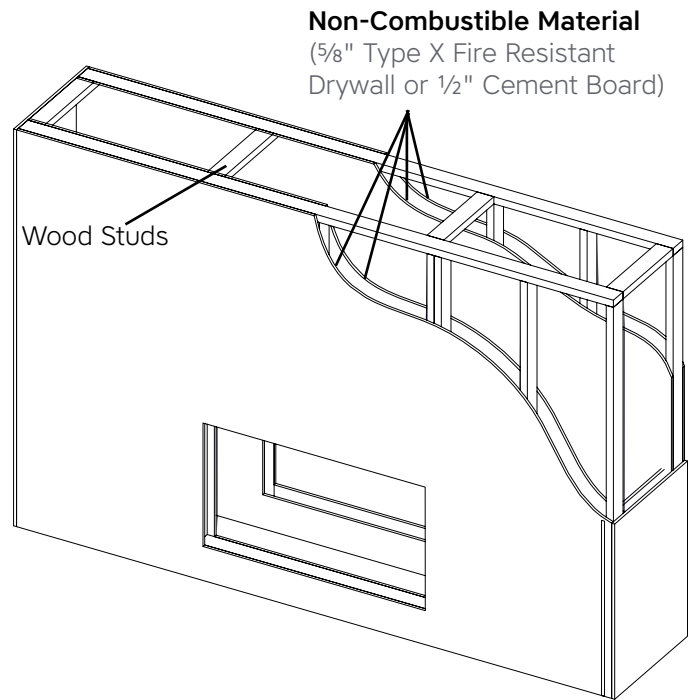
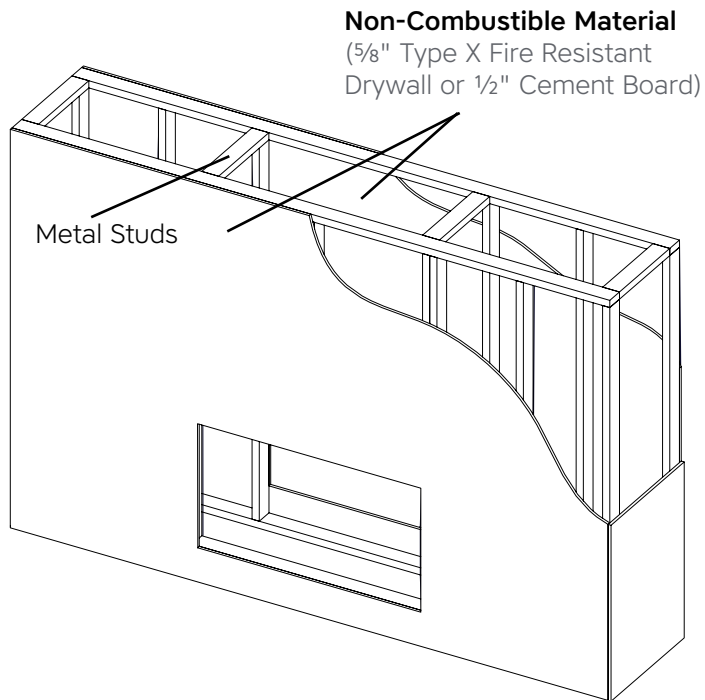
V + H are measured from the centre of the vent elbows.

Elbows are considered as 90°.

Two 45° elbows = One 90° elbow.

Note: A 6' (1.83 m) minimum vertical rise is considered the minimum practical dimension for the specific appliance enclosure and a minimal building structure. However, a greater minimum vertical rise may be needed to suit the specific application constraints or local codes and / or regulatory requirements.

Chase and Framing Installation and Planning



Non-Combustible Framing

A layer of non-combustible material ($\frac{5}{8}$ " Type X fire resistant drywall or $\frac{1}{2}$ " cement board) is required on the exterior of the metal framing. This provides heat protection for the finishing material.

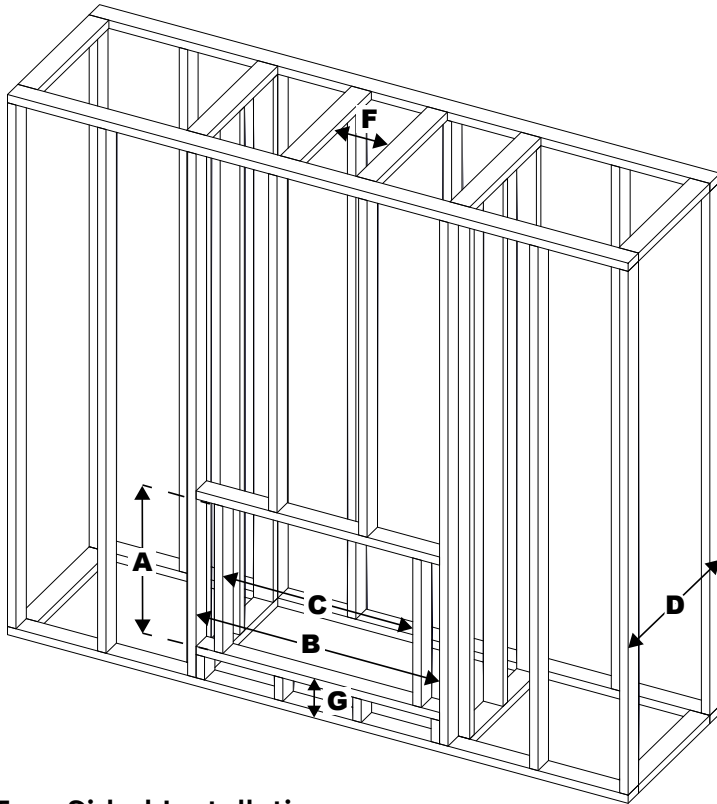
A layer of non-combustible material ($\frac{5}{8}$ " Type X fire resistant drywall or $\frac{1}{2}$ " cement board) is recommended on the inside of the chase when a television (or similar element) will be installed above the fireplace. See "Television Mounting Information" for more details. A clearance of $\frac{1}{2}$ " is needed between the non-combustible material and the firebox.

Combustible Framing

A layer of non-combustible material ($\frac{5}{8}$ " Type X fire resistant drywall or $\frac{1}{2}$ " cement board) is required on the interior (cladding the entire inner cavity/chase) and exterior of the wood framing. This provides heat protection for both the combustible framing and the finishing material.

A clearance of $\frac{1}{2}$ " is needed between the non-combustible material and the firebox.

Single-Sided Installation



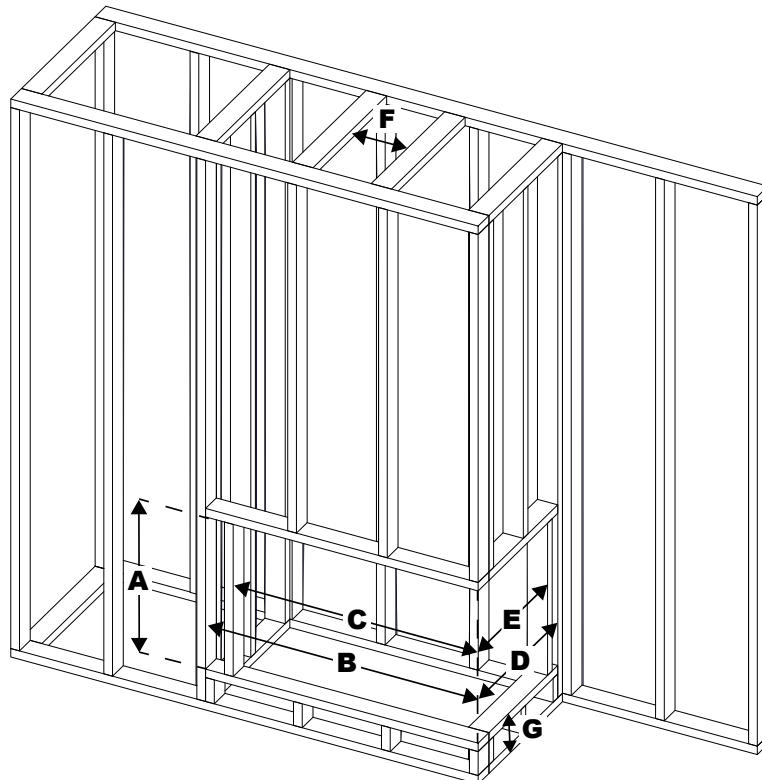
FMG3326F

Reference	Wood framing		Metal Framing	
	inches	mm	inches	mm
A	27	686	27	686
B	44 1/4	1124	43 1/4	1099
C	33 3/4	857	33 3/4	857
D	28 1/2	724	27 1/2	699
F	10	254	10	254
G (min.)	7 1/4	184	7 1/4	184

FMG4326F

Reference	Wood framing		Metal Framing	
	inches	mm	inches	mm
A	27	686	27	686
B	54 1/8	1375	53 1/8	1349
C	43 5/8	1108	43 5/8	1108
D	28 1/2	724	27 1/2	699
F	10	254	10	254
G (min.)	7 1/4	184	7 1/4	184

Two-Sided Installation



FMG3726L/FMG3726R

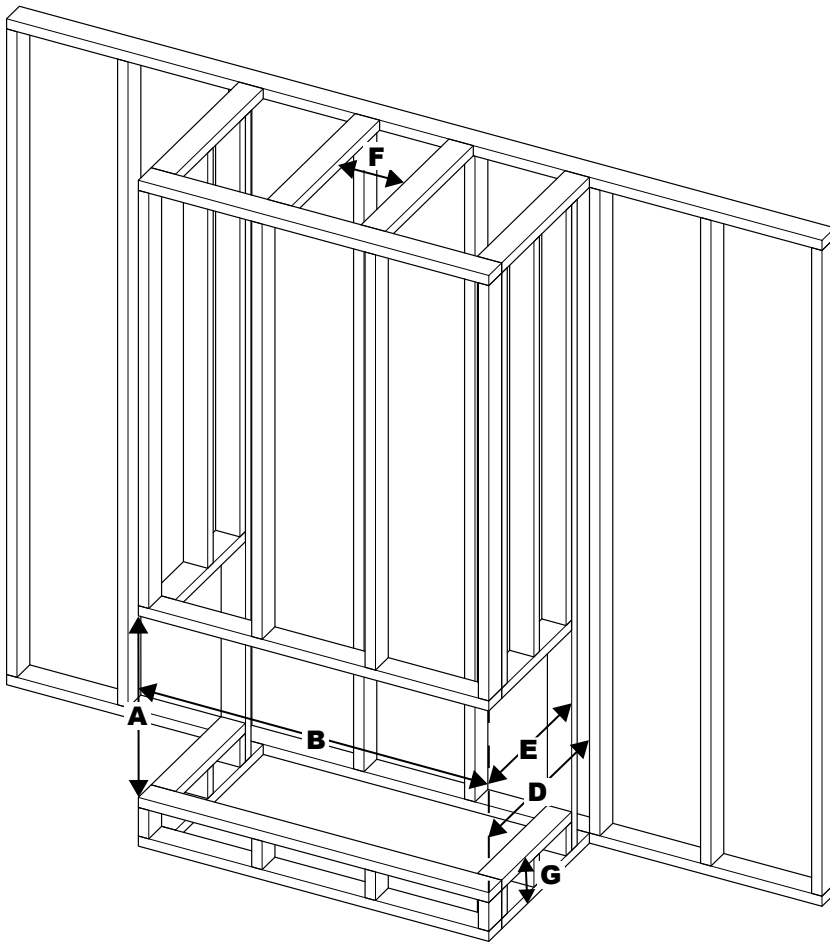
Reference	Wood framing		Metal Framing	
	inches	mm	inches	mm
A	27	686	27	686
B	47 7/8	1216	46 7/8	1191
C	42 5/8	1083	42 1/8	1070
D	28 1/2	724	27 1/2	699
E	23 1/8	587	22 5/8	575
F	10	254	10	254
G (min.)	7 1/4	184	7 1/4	184

FMG4726L/FMG4726R

Reference	Wood framing		Metal Framing	
	inches	mm	inches	mm
A	27	686	27	686
B	57 3/4	1467	56 3/4	1441
C	52 1/2	1334	52	1321
D	28 1/2	724	27 1/2	699
E	23 1/8	587	22 5/8	575
F	10	254	10	254
G (min.)	7 1/4	184	7 1/4	184

Chase and Framing Installation and Planning

Three-Sided Installation



FMG4126B

Reference	Wood framing		Metal Framing	
	inches	mm	inches	mm
A	27	686	27	686
B	51 1/2	1308	50 1/2	1283
D	28 1/2	724	27 1/2	699
E	23 1/8	587	22 5/8	575
F	10	254	10	254
G (min.)	7 1/4	184	7 1/4	184

FMG5126B

Reference	Wood framing		Metal Framing	
	inches	mm	inches	mm
A	27	686	27	686
B	61 3/8	1559	60 3/8	1534
D	28 1/2	724	27 1/2	699
E	23 1/8	587	22 5/8	575
F	10	254	10	254
G (min.)	7 1/4	184	7 1/4	184

Dimension breakdowns:

Dimension A – Metal: fireplace height + 1/4" (6 mm) (for maneuvering)

Dimension A – Wood: fireplace height + 1/4" (6 mm) (for maneuvering)

Dimension B – Metal: fireplace width+ 5/8" (15 mm)

Dimension B – Wood: fireplace width + 5/8" (15 mm) + 5/8" (15 mm) (type X drywall on either side)

Dimension D – Metal: fireplace depth – 1/2" (12 mm) (drywall lip)

Dimension D – Wood: fireplace depth – 1/2" (12 mm) (drywall lip) + 5/8" (15 mm) (type X drywall)

Dimension F – Metal: pipe diameter + 1" (25 mm) right side clearance + 1" (25 mm) left side clearance

Dimension F – Wood: pipe diameter + 1" (25 mm) right side clearance + 1" (25 mm) left side clearance

Dimension G – Metal: height from floor to bottom trim

Dimension G – Wood: height from floor to bottom trim

Clearances

Material Specifications

Non-Combustible Materials Specification

Non-combustible materials are those which will not ignite and burn. These are materials consisting entirely of steel, iron, brick, tile, concrete, slate, glass or plasters, or any combination thereof. Materials that are reported as passing ASTM E 136, *Standard Test Method for Behavior of Materials in a Vertical Tube Furnace at 750 °C* shall be considered non-combustible materials. Approved non-combustible cement board must be at least 1/2" (13 mm) thick.

Non-combustible material may be installed on the fireplace frame to cover the metal part as detailed in the installation examples and clarifications only if there is no weight transfer to the fireplace. Facing and/or finishing materials must never overhang into the glass opening.

DO NOT connect materials to or drill into the metal fireplace frame. This can result in excessive heat transfer and/or damage to the fireplace and surrounding materials.

All joints between the finished wall sheathing and the appliance must be sealed with non-combustible materials.

WARNING

FIRE HAZARD: DO NOT apply combustible materials beyond the minimum clearances. Comply with all minimum clearances to combustibles as specified in this manual.

Examples of non-combustible materials that can be used:

- Skamol Skamotec
- Promat PROMAFOUR System 1/2" (12 mm), 5/8" (15 mm), 3/4" (18 mm)
- James Hardie - Hardiebacker® 1/2" Cement Board
- 5/8" (15 mm) Type X fire rated drywall. Type X gypsum board must comply with ASTM C1396 specification. Type X fire rated gypsum board can be used around the fireplace or at the back as a non-combustible material.

Combustible Materials Specification

Combustible materials made of or surfaced with wood, compressed paper, plant fibers, plastics, or other materials that can ignite and burn, whether flame-proofed or not, or plastered or un-plastered shall be considered combustible materials.

Clearances

Minimum Combustible Clearances from Vent Pipe

Horizontal Vent Pipe Clearances

A minimum clearance of 3" (76 mm) to the top and 1" (25 mm) to the sides and bottom of the vent pipe on all horizontal runs, to combustibles, is required.

Vertical Vent Pipe Clearances

A minimum of 1" (25 mm) around the vent pipe on all vertical runs to combustibles is required, except for clearances in appliance enclosures.

Horizontal Vents must have a minimum 1/4" (6 mm) rise per 1-foot run towards the termination.



WARNING

- Never allow the vent to run downward. A downward slope can trap heat and become a possible fire hazard.
- Maintain vent clearance to combustibles as detailed above.
- DO NOT pack airspace with insulation or other materials. Failure to keep insulation or other materials away from vent pipe could cause overheating and fire.
- This fireplace is not designed to be load-bearing or support weight of any architectural framing. All framing should be self-supported, supported by the back wall, side wall, or ceiling. Attempting to mount framing to a fireplace subjects' glass to unsupported weight and could result in damage to fireplace or breakage of glass. Improper framing or mounting to unit will void product warranty. Please consult Faber directly for additional questions or concerns about framing options.

Chase Clearances

WARNING

All materials inside the chase and above the fireplace must be non-combustible or covered combustible only.

Clearance to Metal Framing

The minimum clearance to metal framing is 1/2" (13 mm).

Metal Studs

Clearance to side stud: 1/2" (13 mm)

Clearance to Non-Combustible Back Wall: 2" (51 mm) min.

Wood Studs with Metal Header

Clearance to Non-Combustible Board (SIDES): 1/2" (13 mm) min.

Clearance to Non-Combustible Board (BACK WALL): 2" (51 mm) min.

Clearance to Covered Combustible Stud (WOOD): 2-1/2" (64 mm) min.

Clearance to sides and back covers - Non-combustible

The minimum clearance from the back and sides of the fireplace to any non-combustible covered material (1/2" (13 mm) cement board or 5/8" (16 mm) Type X drywall) is 2" (51 mm). This clearance allows for proper airflow.

Clearance to sides and back - Covered combustible

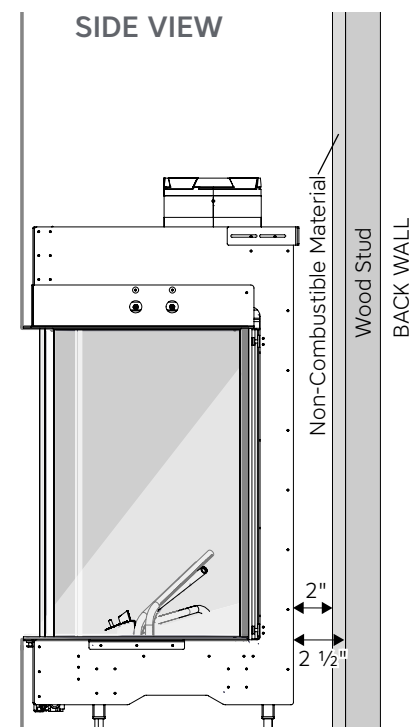
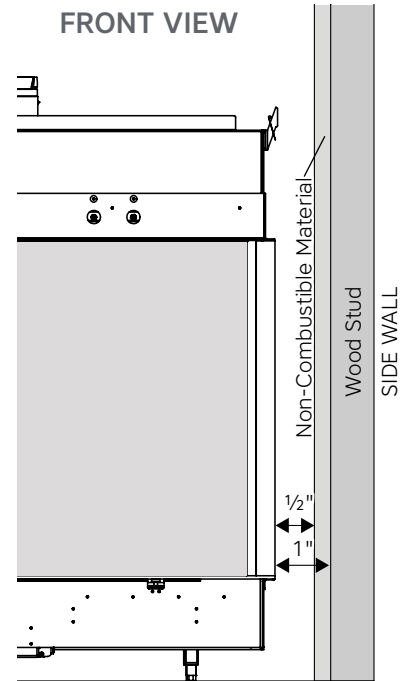
Combustible material at the back or sides of the fireplace, MUST be covered with non-combustible material that is at least 1/2" thick.

Covered wood can be placed a minimum of 2" (51 mm) away (including non-combustible covering) from the sides and back.

Example: A non-combustible cement board is placed 2" (51 mm) from the back of the fireplace. The cement board used is 1/2" (13 mm) thick. Combustible material can be used behind cement board as it is a total of 2-1/2" (64 mm) away from the back of the fireplace and is covered with a non-combustible material.

Clearance to Sides and Back - Combustible

Minimum clearance to combustible material at the back or sides of the fireplace, below the non-combustible line is 1/2" (13 mm) from sides, and 2" (51 mm) over covered combustibles. Please note this does not include minimum clearance directly above the fireplace inside the chase.



Clearances

Chase Clearances

Chase Ceiling

The inner top portion of the chase must be covered with non-combustible material (firestop). No exposed combustible materials are permitted inside the chase.

Floor Clearance

The minimum clearance to the floor is 4-1/4" (108 mm), which is provided by the minimum height of the feet. Do not remove the feet or install the appliance in a manner that would bypass this minimum elevation.

! NOTE: Install appliance on hard metal, cement board, drywall or wood surfaces, extending full width and depth.

WARNING

DO NOT install directly on carpeting, vinyl, or any combustible material other than wood.

Additional Clearances

Ceiling Clearance

The minimum ceiling height required for installation of all models is 96" (2.4 m).

The minimum clearance required from the top of the glass to the ceiling is 60" (1.52 m).

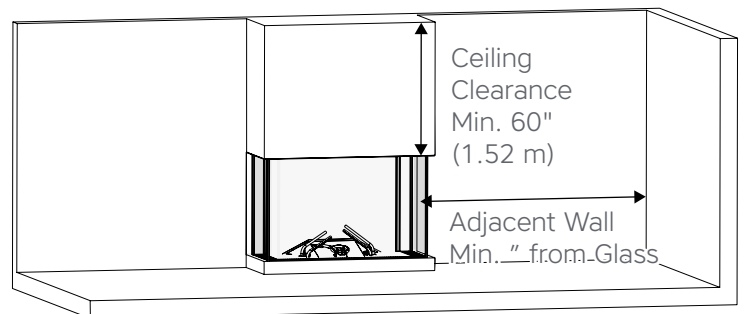
The heat release above the fireplace is critical for keeping the chase and surrounding walls at a relatively low temperature.

Adjacent Wall Clearance

The minimum distance to any side adjacent wall is 7" (178 mm) from the glass for all models.

Front Clearance

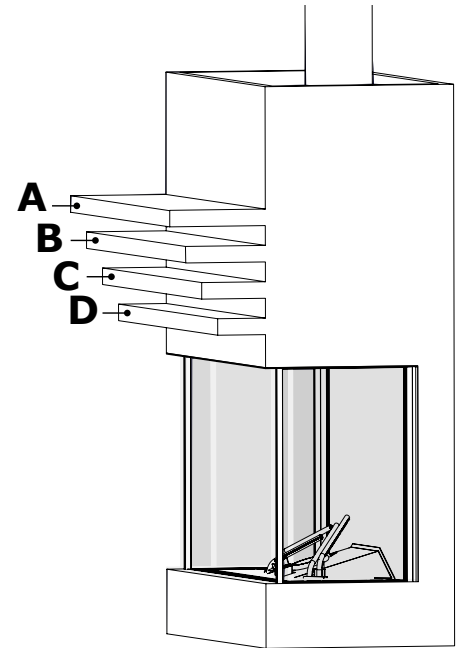
Do not put furniture or any combustible objects within 36" (0,9 m) of glass front of appliance.



Mantel Clearance

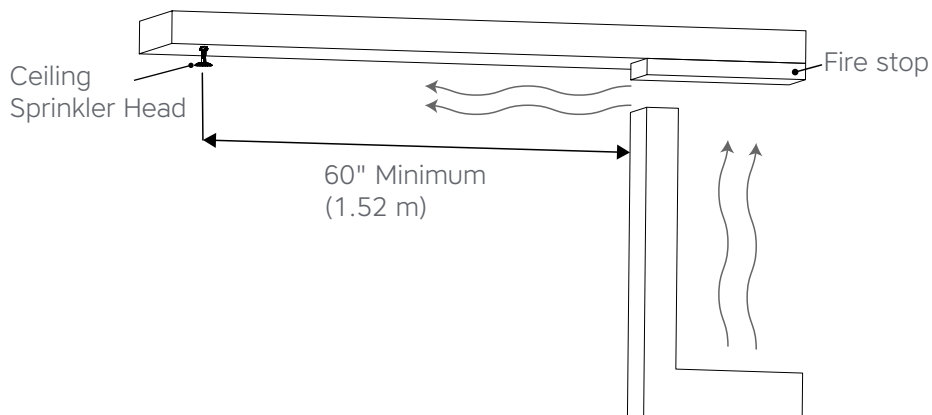
The necessary clearance for a mantel made of combustible materials (e.g., wood) varies according to the mantel depth and height. Use the following table and illustration for information on mantel clearance requirements for mantels made of combustible material installed less than 10" (254 mm) above the top of the fireplace. Do not anchor any mantel or shelf to the fireplace. Only use metal studs above the fireplace as anchor points.

Ref.	Height	Max. Depth
-	> 10" > 254 mm	No maximum
A	10" 254 mm	12" 305 mm
B	6" 152 mm	6" 152 mm
C	4" 101 mm	4" 101 mm
D	2" 51 mm	1" 25 mm



Clearance to Sprinkler

In a situation where a sprinkler head is installed within proximity to a heat release, the diagram below MUST be followed. The distance between the sprinkler head & heat release opening cannot be less than 60" (1524 mm) in length at every point from the origin of the heat release. You must also verify the sprinkler head sensor is set to the proper heat setting so it does not activate when the room heats up from the fireplace being operated normally. Please follow local building code to determine what temperature setting is relevant for your installation.



WARNING

Vaulted ceilings can create a channel that funnels hot air directly towards a sprinkler head placed at the proper distance from heat release, as stated above. If sprinkler head sensor is not rated for high heat, it could potentially set off the sprinkler system inadvertently. Please work with builder & inspector to verify your sprinkler system is properly set to accommodate higher temperatures & is not set up in a heat channel.

Clearances

Finishing Around Front of the Fireplace

Non-combustible finishing material (such as 1/2" cement board, brick, stone, tile, minimum 5/8" (13 mm) Type X fire rated drywall) MUST be used to finish around the front of the appliance. Covered combustible material, can be used to finish around the fireplace, if the proper distance from the fireplace is maintained.

Non-Combustible finishing material must protect any combustible finishing material that is installed above fireplace glass. See "Mantel Clearance" for requirements.

DO NOT connect materials to or drill into the metal fireplace frame. This can result in excessive heat transfer and/or damage to the fireplace and surrounding materials.

Heat Releases and Air Intakes

Heat Releases

This fireplace requires one or more heat release outlet(s) located above the fireplace to allow warm air to flow back into the room and keep the fireplace wall cool.

The total heat release outlet area must be at least 200 square inches (1290 cm²). A larger heat release outlet area is recommended where the application permits it, as this will help reduce the temperature of surrounding wall. The heat release must not be vented outdoors, as this would cause the fireplace to be exposed to outdoor elements.

! NOTE: The recommended minimum dimensions provided for the heat release are measured for open airspace. When using accessories such as vent grilles, the opening must be made larger to account for the reduced open airspace.

The outlet for heat release from the wall enclosure **MUST** remain open. The outlet must be at the top part of the enclosure but not necessarily at the front, so long as the measurements below are maintained. Heat release openings can be installed at the front, on the sides (one on each side), on the back, or on top (in case of a drop wall design, where the top of the wall does not meet the ceiling) of the enclosure.

The top of the heat release outlet(s) must be between 1" - 3" (25 mm - 76 mm) down from the fire stop or ceiling. For installations where the top of a heat release outlet is less than 3", it is recommended to use fire-rated board on the ceiling. A non-combustible fire stop must be placed at the top of the inside of the chase and must be framed in a way that does not allow any pockets of heat to be formed. The heat should be able to rise to the fire stop and freely flow through the vent to enter the room.

Air Intake

This fireplace requires a cool air intake located below the fireplace.

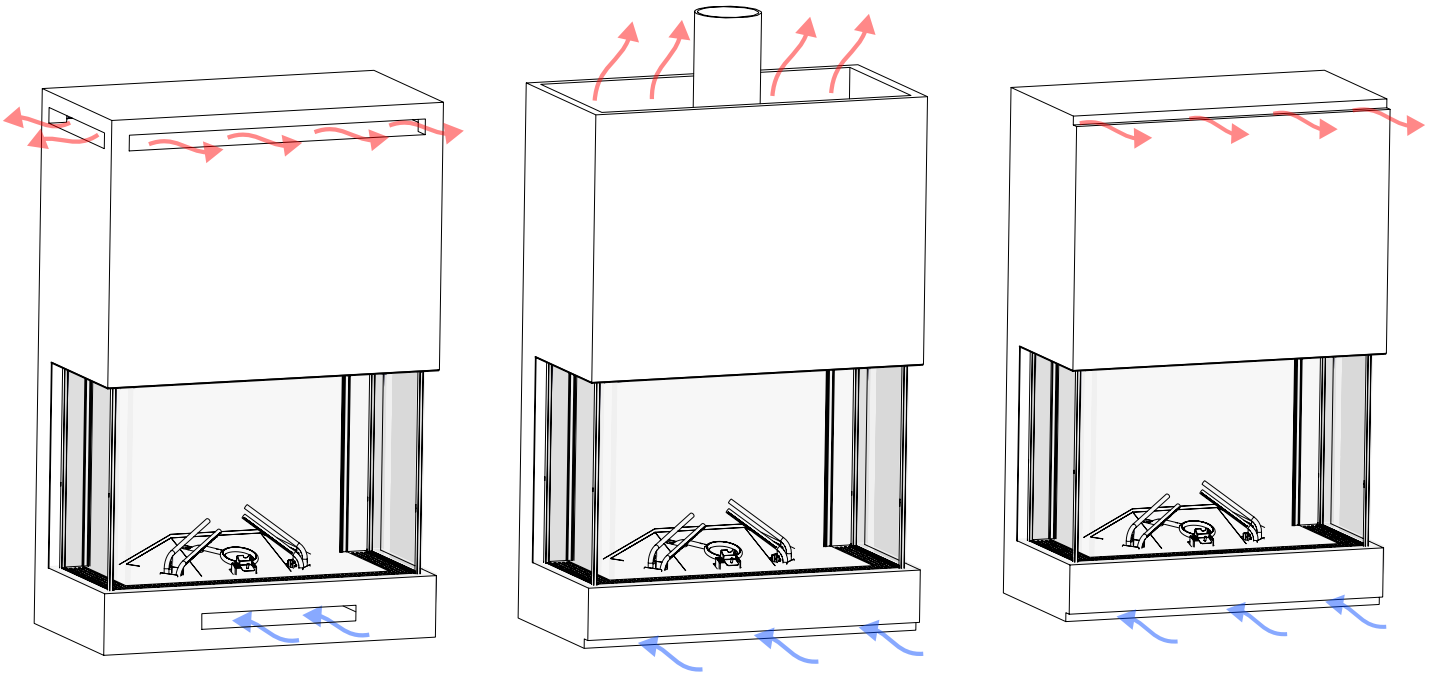
The total air intake area must be at least 100 square inches (645 cm²).

! NOTE: The recommended minimum dimensions provided for the air intake are measured for open airspace. When using accessories such as vent grilles, the opening must be made larger to account for the reduced open airspace.

The air intake opening can also be used as an access door to the gas valve, if it meets both of the size requirements for the access door and the air intake opening. The air intake opening can be installed at the sides of the enclosure (one on each side), or at the front.

Heat Releases and Air Intakes

Examples of Heat Releases and Air Intakes



Classic Registers

Openings at the front, sides, or back (pick one or more) can be covered with vent registers. It is possible to heat multiple rooms this way.

Drop Wall

The wall does not reach the ceiling and is left open on top.

Shadow Line

A recess hides the opening at the top for a heat release and/or a at the bottom for air intake.

Television Mounting Information

WARNING

Please note that most television manufacturers and manuals will instruct the owner not to install television above or near a fireplace. Mounting a television above the fireplace is based on the owner's decision and responsibility. Faber will not be held liable for any adverse effects on a TV, artwork or other equipment located near the appliance. It is the customer's or contractor responsibility to verify that their TV or artwork can withstand the wall temperatures at the installation site.

This fireplace design directs the heat from the fireplace into the fireplace chase to be released from the top heat release outlet. The design allows for a relatively low temperature on the external wall above the fireplace.

Follow the charts and instruction below for suggested installation of a television above the fireplace

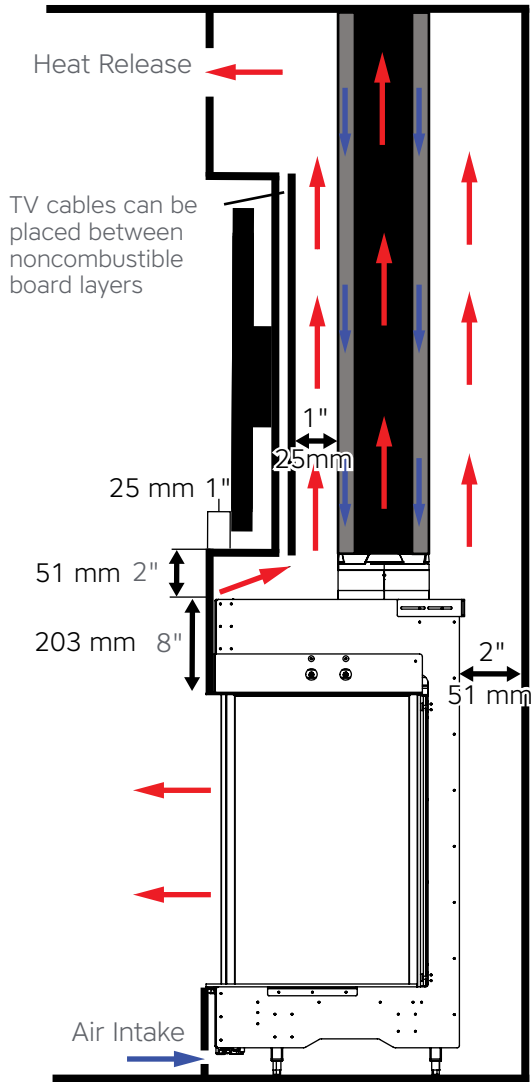
- Please note that electric wiring used for the television must be insulated for heat when installed inside the chase above the fireplace.
- It is critical that wiring insulation does not obstruct the hot air flow from going to the top part of the chase to be released back to the room through the heat release outlet.
- All wires **MUST** be secured and anchored to the frame to prevent any possibility of wires dropping on top of the fireplace.
- A double layer of drywall is recommended in the area behind the TV to allow cables and other related materials to be installed without blocking hot air flow. Use non-combustible material for double wall.
- Wires should be inserted into the recess from the top or sides in order to avoid proximity to the fireplace heat release outlet or air intake inlet.
- Placing insulation above the fireplace may result in a fire hazard. Airflow above the fireplace should remain open to allow heat to be released from the top of the chase.
- When installing a television above the fireplace without recessing it, a mantel must be installed between the top of the fireplace and the bottom of the television to avoid exposing the television to excessive heat.
- To reduce the amount of heat around and below the television, increase the size of the heat release outlet as much as the installation will allow. **ALWAYS** follow minimum heat release requirements.
- See images for information on minimum clearances for different TV installation options. All dimensions shown are minimum dimensions. Hot air flow inside the chase (marked in red arrows) should be maintained and free from obstruction to allow heat to release freely at the top of the chase.

WARNING

Maintain open airflow between the fireplace and wall covers. Make sure cables or any other materials are not blocking hot airflow.

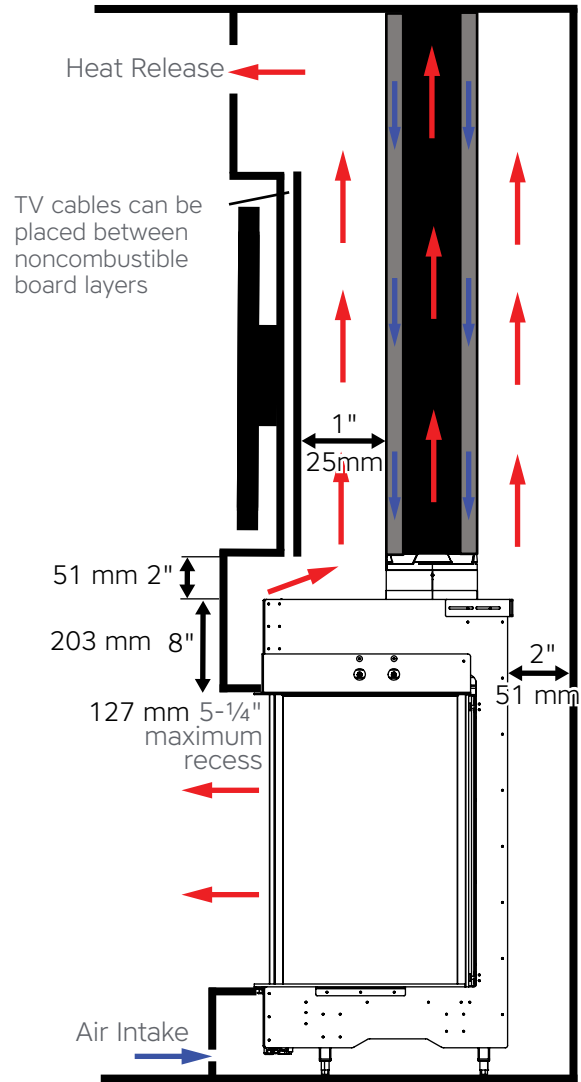
Television Mounting Information

Flat with Recessed TV



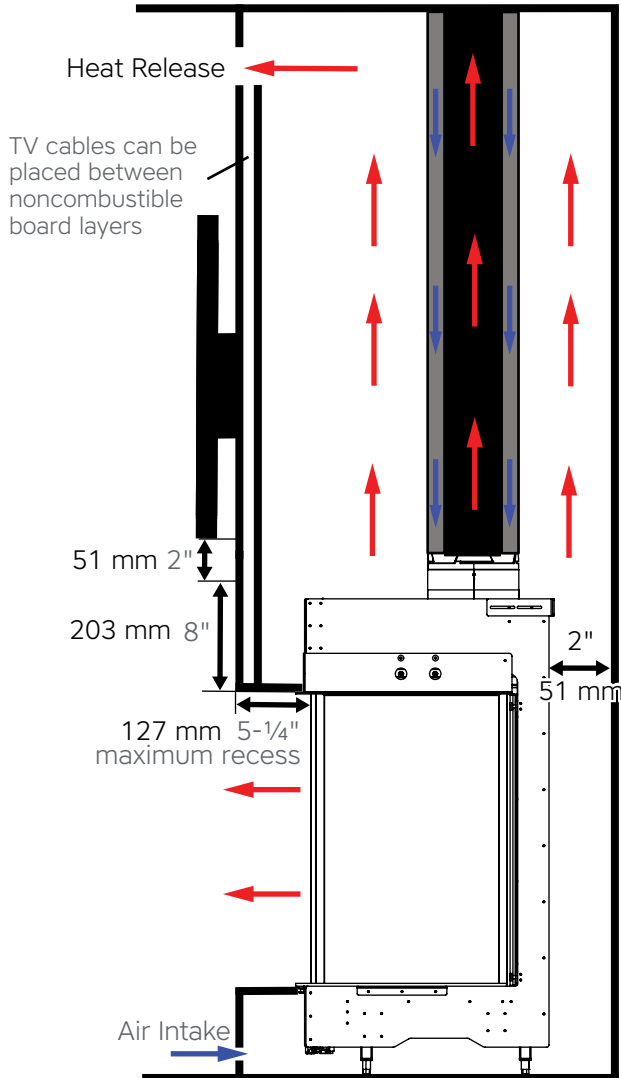
* All measurements shown are minimum requirements.

Recessed with recessed TV



* All measurements shown are minimum requirements.

Television Installed Flush Above Fireplace

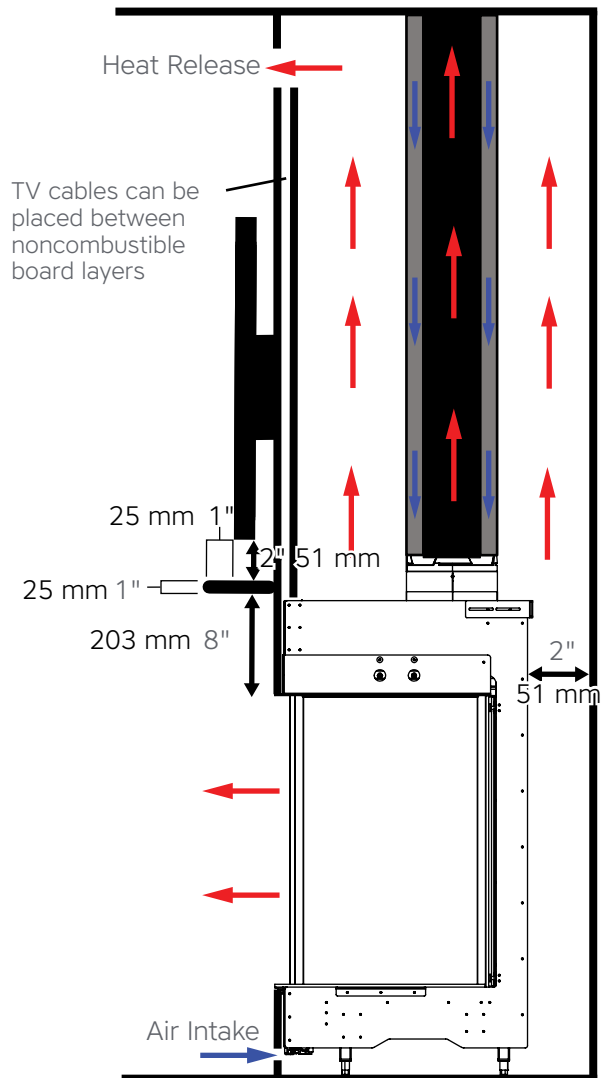


* All measurements shown are minimum requirements.

Television Install Without Recess

Minimum Requirements for Installing a Television Without a Recess:

- The TV must be at least 11" (280 mm) total above the glass of the fireplace.
- A mantel at least 1" (25 mm) thick and 6" (152 mm) deep should be installed a minimum of 8" (203 mm) above the glass.
- The TV must be at least 2" (51 mm) above the mantel and 1" back from the edge of the mantel.



* All measurements shown are minimum requirements.

Gas Installation

General

WARNING **RISK OF FIRE OR EXPLOSION!**

- All gas handling and installation should be performed by a qualified service technician or installer.
- Gas build-up during line purge could ignite. Ensure adequate ventilation. Ensure there are no ignition sources, sparks, or open flames.
- **Do not change the gas valve setting!** The fireplace gas valve has been preset at the factory.
- Installing an external manual gas valve before connection to the fireplace is necessary.
- Make sure to check for gas leaks before lighting the fireplace for the first time. Do not use an open flame to check for gas leaks.

This appliance and its individual shut off valve must be disconnected from gas supply piping system during any pressure testing of that system at test pressures more than 1/2 psig (3.5 kPa).

This appliance must be isolated from the gas supply piping system by closing its individual manual shut off valve during any pressure testing of the gas supply piping system at test pressures equal to or less than 1/2 psig (3.5 kPa).

Have the gas supply line installed in accordance with local codes, if any. If not available, follow ANSI 223.1.

Installation should be done by a qualified installer approved and/or licensed as required by the locality (In the Commonwealth of Massachusetts Installation must be performed by a licensed plumber or gas fitter).

1. Move the appliance into position and secure it to the wall using the back or side mount.
2. Install a manual gas valve before the connection to the fireplace appliance automatic valve.
3. Connect the gas line to the fireplace. The appliance is designed to accept a 1/2" (13 mm) gas supply.
4. Connect the gas supply in accordance to local codes, CAN/CSA-B149.1 in Canada or to the current National Fuel Gas Code, ANSI 2223.1 / NFPA 54 in the United States.
5. Check for gas leaks using non-corrosive commercially available leak-check solution before operating the gas appliance.
6. Measure and document gas pressure below:
Inlet ___ W.C. Burner (Manifold) ___ W.C. Ensure the Min/Max inlet pressure matches the table below.
7. Verify minimum pressures when other household gas appliances are operating.
8. Lighting the fireplace for the first time may take some time until the line is purged.

! NOTE: Do not place the gas valve or controls above the level of the burner.

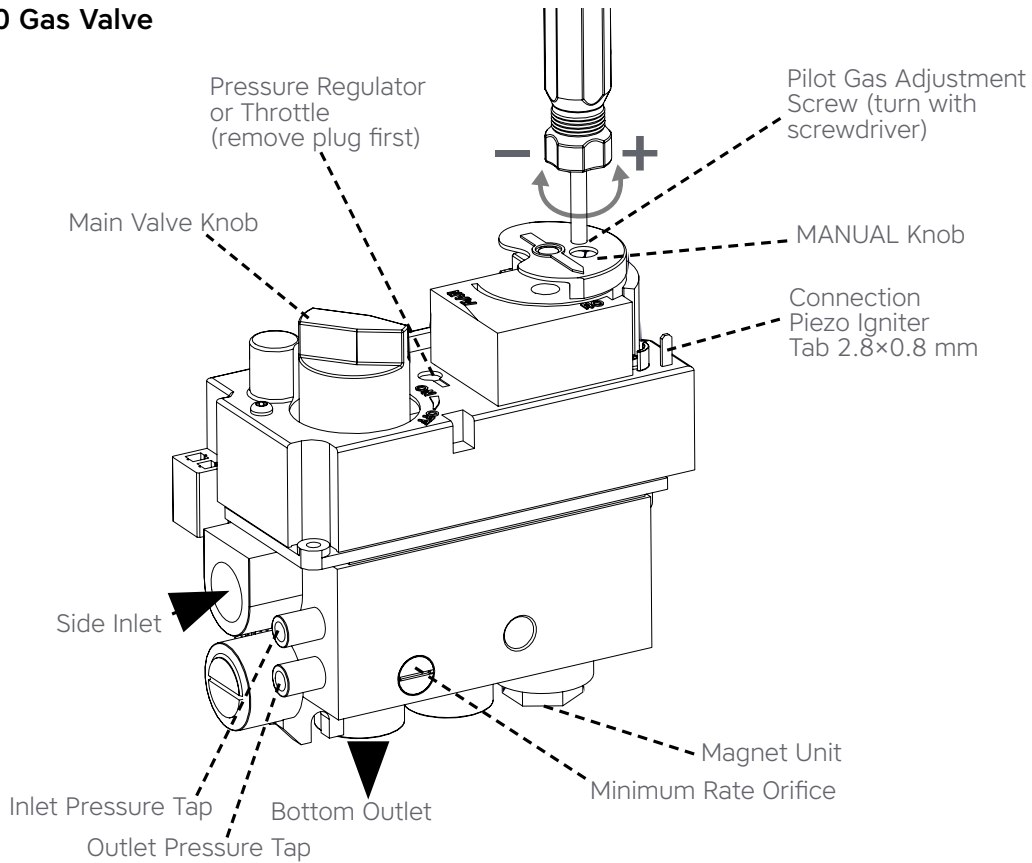
Gas Pressure	Natural Gas
Inlet Pressure	7.0" W.C

WARNING **RISK OF FIRE OR EXPLOSION!**

High pressure will damage valve. Low pressure could cause explosion.

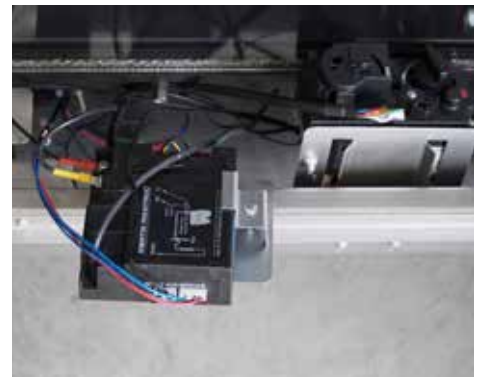
Gas Valve

Maxitrol GV60 Gas Valve



Accessing the Gas Valve and Electronic Receiver

1. Remove the bottom trim and safety screen.
2. Remove the lower grill (pictured).
3. The components can now be accessed for installation and service.



Gas Installation

Installation at High Altitude

This fireplace is tested and approved for installations at elevations of 0 - 4500 feet (0 - 1372 m) above sea level using the standard burner orifice sizes. At the time of installation, it must be determined if the appliance needs to be de-rated. Contact your local gas supplier for de-rating requirements for your area.

Derated installation consideration can start at 2000 feet (610 m) above sea level.

At higher elevations, the amount of BTU fuel value delivered must be reduced by either using gas that has been derated by the gas company or by changing the burner orifice to a smaller size as regulated by the local authorities having jurisdiction and by the (USA) National Fuel Gas Code NFPA 54/ANSI 2223.1 - latest edition or in Canada, the CAN/CSA-8149.1 code - latest edition.

Gas Valve Access Door

! NOTE: This fireplace has a gas valve and control system that can be stretched up to 46" (1.2 m) *from the middle* of the fireplace and be put next to the access door location.

The access door can be placed on any side of the fireplace, below the non-combustible line. Do not place the gas valve or controls above the level of the burner. If the fireplace is to sit low on the floor, the controls must be placed outside the non-combustible zone or insulated from the heat of the fireplace.

The use of a 10" x 10" (254 x 254 mm) access door is highly recommended. If no access door is installed, it is possible to access the gas valve from inside the fireplace by removing the outer screen and cover plate.

The access door can also be used as a lower air intake as long as the opening requirements are maintained. See "Air Intake" section for details.

The access door can be concealed in many ways such as HVAC vent cover, removable tile connected with Velcro straps and more.

Commonwealth of Massachusetts

For all side wall horizontally vented gas fueled equipment installed in every dwelling, building or structure used in whole or in part for residential purposes, including those owned or operated by the Commonwealth and where the side wall exhaust vent termination is less than seven (7) feet above finished grade in the area of the venting, including but not limited to decks and porches, the following requirements shall be satisfied:

1. INSTALLATION OF CARBON MONOXIDE DETECTORS.

At the time of installation of the side wall horizontal vented gas fueled equipment, the installing plumber or gasfitter shall observe that a hard-wired carbon monoxide detector with an alarm and battery back-up is installed on the floor level where the gas equipment is to be installed. In addition, the installing plumber or gasfitter shall observe that a battery operated or hard-wired carbon monoxide detector with an alarm is installed on each additional level of the dwelling, building or structure served by the side wall horizontal vented gas fueled equipment. It shall be the responsibility of the property owner to secure the services of qualified licensed professionals for the installation of hard-wired carbon monoxide detectors

- a. In the event that the side wall horizontally vented gas fueled equipment is installed in a crawl space or an attic, the hard-wired carbon monoxide detector with alarm and battery back-up may be installed on the next adjacent floor level.
- b. In the event that the requirements of this subdivision cannot be met at the time of completion of installation, the owner shall have a period of thirty (30) days to comply with the above requirements; provided, however, that during said thirty (30) day period, a battery operated carbon monoxide detector with an alarm shall be installed.

2. APPROVED CARBON MONOXIDE DETECTORS. Each carbon monoxide detector as required in accordance with the above provisions shall comply with NFPA 720 and be ANSI/UL 2034 listed and IAS certified.

3. SIGNAGE. A metal or plastic identification plate shall be permanently mounted to the exterior of the building at a minimum height of eight (8) feet above grade directly in line with the exhaust vent terminal for the horizontally vented gas fueled heating appliance or equipment. The sign shall read, in print size no less than one-half (1/2) inch in size, "GAS VENT DIRECTLY BELOW. KEEP CLEAR OF ALL OBSTRUCTIONS".

4. INSPECTION. The state or local gas inspector of the side wall horizontally vented gas fueled equipment shall not approve the installation unless, upon inspection, the inspector observes carbon monoxide detectors and signage installed in accordance with the provisions of

248 CMR 5.08(2)(a)1 through 4.

(b) EXEMPTIONS: The following equipment is exempt from 248 CMR 5.08(2)(a)1 through 4:

1. The equipment listed in Chapter 10 entitled "Equipment Not Required To Be Vented" in the most current edition of NFPA 54 as adopted by the Board; and
2. Product Approved side wall horizontally vented gas fueled equipment installed in a room or structure separate from the dwelling, building or structure used in whole or in part for residential purposes.

(c) MANUFACTURER REQUIREMENTS - GAS EQUIPMENT VENTING SYSTEM PROVIDED. When the manufacturer of Product Approved side wall horizontally vented gas equipment provides a venting system design or venting system components with the equipment, the instructions provided by the manufacturer for installation of the equipment and the venting system shall include:

1. Detailed instructions for the installation of the venting system design or the venting system components; and
2. A complete parts list for the venting system design or venting system.

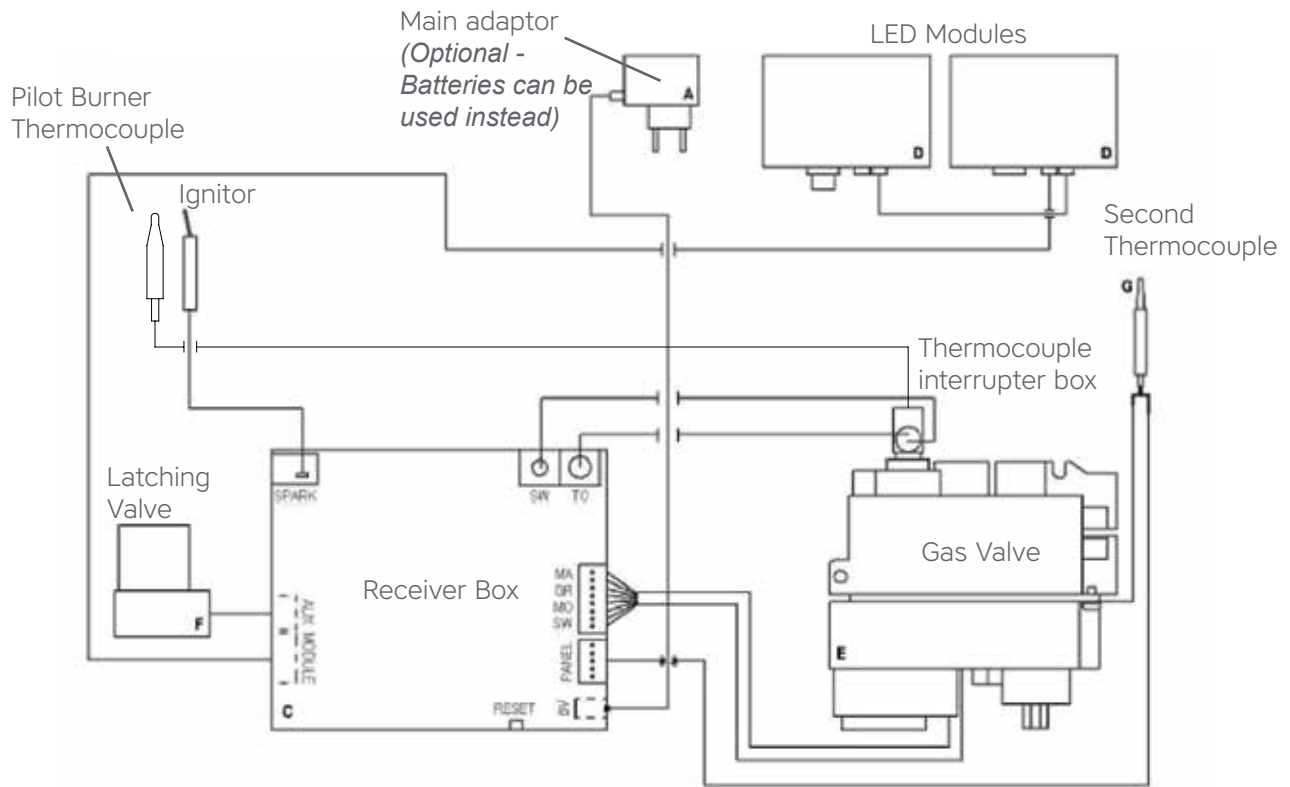
(d) MANUFACTURER REQUIREMENTS - GAS EQUIPMENT VENTING SYSTEM NOT PROVIDED. When the manufacturer of a Product Approved side wall horizontally vented gas fueled equipment does not provide the parts for venting the flue gases, but identifies "special venting systems", the following requirements shall be satisfied by the manufacturer:

1. The referenced "special venting system" instructions shall be included with the appliance or equipment installation instructions; and
2. The "special venting systems" shall be Product Approved by the Board, and the instructions for that system shall include a parts list and detailed installation instructions.

(e) A copy of all installation instructions for all Product Approved side wall horizontally vented gas fueled equipment, all venting instructions, all parts lists for venting instructions, and/or all venting design instructions shall remain with the appliance or equipment at the completion of the installation.

Electric and Control

Wiring Diagram



Power Source

WARNING

This appliance must be electrically wired and grounded in accordance with local codes, or in the absence of local codes, with National Electric Code ANSI/NFPA 70-latest edition or the Canadian Electric Code CSA C22.1. A 110–120 V AC circuit for this product must be protected with ground-fault circuit-interrupter protection, in compliance with the applicable electrical codes, when it is installed in locations such as in bathrooms or near sinks.

The electrical system can be powered either by plugging the adaptor into a grounded outlet or by installing 4 AA batteries (alkaline ONLY). If a mains A/C adaptor is not used, battery replacement is recommended at the beginning of each heating season as part of the yearly service check. The receiver box is equipped with a low battery indicator, which will beep frequently for 3 seconds when the motor turns.

Wall Switch - Optional



If you wish to install the wall switch option, you will need to purchase the GV60 Wall Switch Accessory Kit, as well as the 2nd thermocouple cable (G60-ZCTCR...) from your authorized gas fireplace dealer.

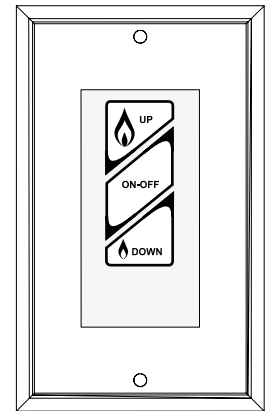
The GV60 Wall Switch Accessory Kit can be purchased separately as an option to control the fireplace. The accessory kit includes a wall switch, a wall plate, and a cable available in various lengths.

The following operations can be done from the wall switch:

- Turn the fireplace on and off.
- Increase and decrease the flame height.

The thermostat and programming functions are not available with the wall switch.

The fireplace receiver will respond to both the wall switch or remote commands, regardless of what was used to originally turn the system on.



Combination with Wall Switch

1. Remove the cable plugged in the wall switch harness connection (Image 1) and replace with cable provided in wall switch accessory kit.
2. Insert the MOLEX crimp terminal of the second thermocouple cable (G60-ZCTCR...) into the open connector hole of the plug (see image 2). Listen for a "click".
3. Insert the insulated receptacle into the insulated 2nd thermocouple terminal.
4. Insert the plug connector into the receiver (see image 3).

Image 1: Location of wall switch harness connection indicated by arrow

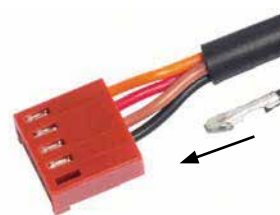
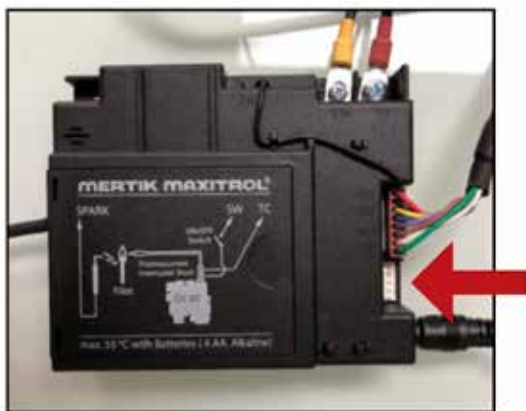


Image 2: Lock MOLEX crimp terminal of the G60-ZCTCR... cable inside connector hole of the plug.



Image 3: Insert plug connector into the receiver.

Final Installation

Media Arrangement

Faber Fireplaces has one of the most realistic log burners in the industry. Follow the instructions below for information on how to add and arrange media in your fireplace:

- Do not place any type of media on the pilot or in front of the pilot. Keep 1" (25 mm) distance from the pilot to allow correct operation of the pilot.
- Logs are specifically designed to fit over many of the burners. Please ensure that the logs fit properly for best operation.
- Keep the pilot front cover view open to be able to view the pilot spark and flame from outside.
- Use only fire glass and ceramic chips provided with unit. All other materials will void warranty.
- When the fireplace glass is removed and media is placed, ensure the fire glass does not fall on the glass lower frame as that may cause breakage when putting back the front glass.
- Make sure pilot is clear of any fire glass pieces.
- Maintain minimum distance of 1/4" (6 mm) from media to the fireplace glass panels.
- Refer to this manual for instructions on how to remove, replace, and arrange the fireplace logs and glass media.

FMG3326F, FMG3726L, FMG3726R, FMG4126B



1. Arrange fire glass in the above configuration. Ensure that glass is not placed in circled areas.



2. Install the two burner logs over the burners as shown above. Once placed, ensure the logs do not move.

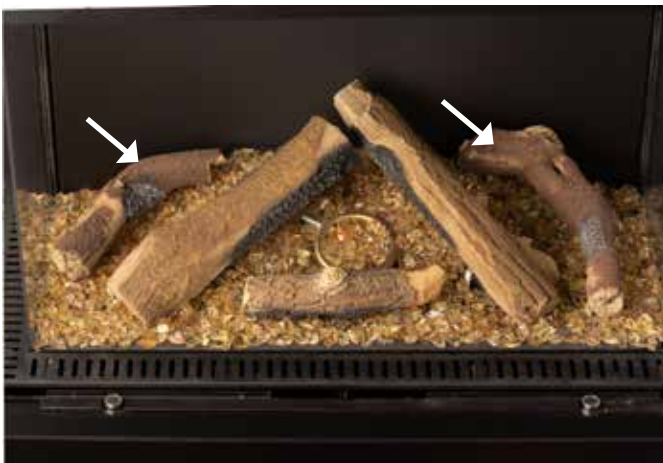
Media Arrangement



Closeup of proper installation position of the front two burner logs over the burners.



3. Install front log in the slot and pilot bracket front pin, as shown above.



4. Position two back side logs as shown above.



5. Position the two front small logs as shown.

Final Installation

Media Arrangement



6. Position the two front side logs.



7. Position the back center log.



Correct



Incorrect

Correct media placement versus incorrect placement of media around pilot assembly.

Final Installation

Media Arrangement

FMG4326F, FMG4726L, FMG4726R, FMG5126B



1. Arrange fire glass in the above configuration. Ensure that glass is not placed in circled areas.



2. Install the two burner logs over the burners as shown above. Once placed, ensure the logs do not move.



Closeup of proper installation position of the front two burner logs over the burners.



3. Position two back side logs as shown above.

Media Arrangement



4. Install front log in the slot and pilot bracket front pin, as shown above.



5. Position the two front small logs as shown.



5. Place the remaining logs as shown above.



Correct



Incorrect

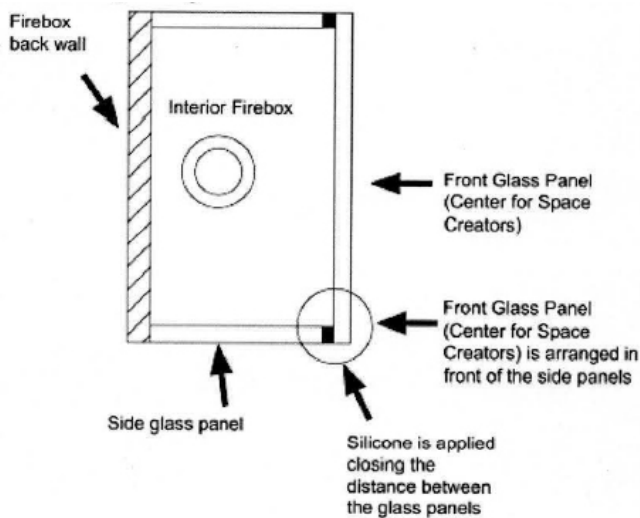
Correct media placement versus incorrect placement of media around pilot assembly.

Sealing the glass

5 mm ceramic glass front and side panels are provided. Contact Faber for replacement parts if required.

Silicone comes included with fireplace for application to any glass-to-glass connections on both sides of the glass. Keep the following guidelines in mind when handling silicone and glass panels:

The purpose of the silicone is to create a gasket, not to "glue" the glass panels together. When placing glass panels, ensure that the glass is fully in place and that the silicone is filling the space between the glass panels. Place the front (or center) panel in place first and then slide the side panel into place so that the silicone edge touches the glass edge.



Glass Seal Assembly Diagram

- Re-apply silicone only if the original silicone is damaged (Rutland 500° Clear Silicone is recommended).
- If new silicone is applied, cure time is 24 hours before operation of the fireplace.
- Do not use silicone to seal the glass after it is in place.
- Always use appropriate materials and cleaning agents to clean glass. Ammonia free glass cleaners and/or ceramic glass cleaners are recommended.

Feature Removal

Safety Screen Removal

Follow the instructions below for safety screen removal.

! **NOTE:** Safety screen may be shipped separately from the appliance

WARNING

The barrier is designed to reduce the risk of burns from the hot viewing glass and is provided with this appliance. It must remain installed for the protection of children and other at-risk individuals.

Do NOT operate the fireplace without the safety screen barrier.

1. Loosen the coupling nuts from the screen brackets at the top using a small wrench or socket set. There are two coupling nuts per bracket. The front screen has two brackets, and each side screen has one.
2. Push the top frame of the screen up until it clears the bottom of the opening.
3. Tilt the bottom of the screen out and pull down so the top frame clears the opening.

To reinstall the safety screen, follow the steps above in reverse order. Ensure nuts are secured tightly.



Glass Removal

SAFETY PRECAUTIONS

WARNING: Turn off the fireplace and allow time for the unit to cool before attempting to remove the glass.

CAUTION: The ceramic glass is very fragile and should be handled with care.

WARNING: Do not operate the appliance with glass removed, cracked or broken. Replacement of the panel(s) should be done by a licensed or qualified service person.

! NOTE: Two suction cups are needed to remove the glass. These are supplied with the fireplace.



1. Loosen the coupling nuts on the bottom front glass bracket using a small wrench or socket set. Do not completely remove.



2. Remove coupling nuts from top front glass bracket using a small wrench or socket set. Remove all coupling nuts leaving the middle one until last.



3. Carefully taking a sharp blade and cut silicone sealant front edges on exposed glass edges.
4. Attach glass suction cups to the glass. Remove the last coupling nut and hold glass with suction cup and remove top bracket completely from trim. Using two suction cups, gently raise glass up and remove bottom of glass from bottom bracket. Slowly swing glass out from bottom and remove glass.
5. Place glass panel in a safe place, being careful not to chip glass edges that are very fragile.

If side glass needs to be removed, repeat steps 1 to 5 for the side glass as well.

! NOTE: When removing the side glass, the back brackets will also need to be loosened with a small wrench or socket set before the glass can be removed.



CAUTION: When putting the glass back, DO NOT overtighten the bolts or glass may break.

Replacement Parts

1	Suction Cup (1)		9600820100RP
2	Silicone in Small Tube		0800310000RP
3	Matrix Log Set		0443080100RP
4	Glass Beads, orange 10-20mm, 2 kg		1400160100RP
5	Remote Control (918 Mhz Symax, 10-Button Blk)		3002230100RP
6	120V Power Adaptor		2100310100RP
7	LED Glass Cover		5904020100RP
8	SIT Natural Gas Pilot/Ignition Module with Thermocouple		1800020100RP
9	Burner 1		0500200100RP
10	Burner 2		0500210100RP
11	Burner Halo		0500220100RP
12	Burner 3		0500230100RP
13	Burner 4		0500240100RP
14	Receiver 918 MHz, Symax		3002250100RP
15	Combo Control with Receiver		5400320100RP
16	Interrupter, Thermocouple		2800300100RP
17	Thermocouple, Second Burner		3300020100RP
18	Solenoid 3/8" NPT, Latching GV60		1900030100RP
19	Symbio LED Module with LCD wire		3500090100RP
20	Cable, Ignition 25kV 4mm 1200mm		2500990100RP
21	Cable 8-Wire 500mm		2501010100RP
22	Cable, Interrupter-Receiver TC		2501020100RP
23	Cable, Interrupter-Receiver SW		2501020200RP
24	Cable with Molex, TC		2501030100RP
25	Cable, TC		2501030200RP
26	Coupling Nuts for Glass (set of 4)		8100370100RP
27	Front Glass (with Gasket)	FMG3326F	5903370100RP
28		FMG3726L/FMG3726R	5903370200RP
29		FMG4126B	5903370400RP
30		FMG4326F	5903370500RP
31		FMG4726L/FMG4726R	5903370600RP
		FMG5126B	
32	Side Glass (with Gasket)	FMG3726L/FMG3726R	5903370300RP
		FMG4126B	
		FMG4726L/FMG4726R	
		FMG5126B	
33	Front Screen	FMG3326F	0442980300RP
34		FMG3726L/FMG3726R	0442980400RP
35		FMG4126B	0442980100RP
36		FMG4326F	0442980600RP
37		FMG4726L/FMG4726R	0442980700RP
38		FMG5126B	0442980500RP
38	Side Screen	FMG3726L/FMG3726R	0442980200RP
		FMG4126B	
		FMG4726L/FMG4726R	
		FMG5126B	

Maintenance

WARNING

- It is recommended that a qualified service technician perform a routine inspection at the beginning of each heating season.
- Disconnect power before attempting maintenance or repair of the fireplace.
- Installation and maintenance must be performed by an authorized qualified installer, service agency, or gas supplier.
- Any safety screen or guard removed for servicing must be placed back before operating this appliance.
- DO NOT USE this appliance if any part has been under water. Immediately call a qualified service technician to inspect the unit and to replace any part of the control system and any gas valve that has been under water or impacted.
- Any alteration to the product that causes soot or carbon to accumulate and results in damage is not the responsibility of the manufacturer.
- Do not modify or substitute any part of this appliance.
- Inspect the external vent cap on a regular basis to make sure that no debris, plants, trees, or shrubs are interfering with the airflow.
- Do not operate the fireplace without the fireplace glass.
- It is imperative that control compartments, screens, or fans system for double glass are kept clean and free of obstructions.

These areas provide the air necessary for safe operation.

- Light the heater using the built-in igniter. Do not use matches or any other external device to light the fireplace.
- Never remove, replace, modify or substitute any part of the heater unless instructions are given in this manual. All other work must be done by a trained technician. Do not modify or replace orifices.

Maintenance Instructions

1. Always turn off the gas valve before cleaning. For relighting, refer to lighting instructions. Keep the burner and control compartment clean by brushing and vacuuming at least once a year. When cleaning the logs, use a soft clean paint brush as the logs are fragile and easily damaged.
 2. Clean appliance and door with a damp cloth (never when unit is hot). Never use an abrasive cleaner. The glass should be cleaned with a gas fireplace glass cleaner. The glass should be cleaned when it starts looking cloudy.
 3. The fireplace is finished in a heat-resistant paint and should only be refinished with heat-resistant paint. Faber part number.
 4. Make a periodic check of burner for proper position and condition. Visually check the flame of the burner periodically, making sure the flames are steady; not lifting or floating. If there is a problem, call a qualified service person.
 5. The appliance and venting system must be inspected before use, and at least annually, by qualified field service person, to ensure that the flow of combustion and ventilation air is not obstructed.
- !** **NOTE:** Never operate the appliance without the glass properly secured in place.
6. In the event this appliance has been serviced check that the vent-air system has been properly resealed & reinstalled in accordance with the manufacturer's instructions.
 7. Verify operation after servicing.

Maintenance

Yearly Service

Failure to inspect and maintain the fireplace may lead to improper combustion and a potentially dangerous situation. We recommend the following procedures be done by a qualified technician.

Glass Maintenance

- Always use suction cups to remove the fireplace glass. Use the manual procedure for instruction on how to remove the fireplace glass.
- Always use gloves when removing the glass to protect your hand and prevent finger prints on the glass.
- DO NOT USE abrasive cleaners on the glass panels. DO NOT ATTEMPT to clean the glass panels when they are hot.
- Do not use normal household (usually ammonia-based) glass cleaners to clean the glass as these cleaners can leave a permanent stain. **Only a gas fireplace glass cleaner should be used.**
- Verify no cracks or breakage in the glass.
- Place glass in a safe location to prevent breakage.
- Never attempt to operate the fireplace without the fireplace glass.

Pilot Maintenance

- Visually inspect the pilot flame. The pilot flame should be always present when the fireplace is in operation.
- Make sure the pilot flame has two flame tips pointing to the flame sensor (thermocouple) and to the center of the burner.
- Make sure the pilot area is clean from any dust, media or any other debris that may disrupt the operation of the ignition system. Lint or foreign material must be removed with a brush or vacuum.
- Verify fireplace ignition using the remote or wall switch. Verify electronic ignition, sparking sequence, pilot operation and burner ignition.

Burner Maintenance

- The flames from the burner should be visually checked. The flame should have a blue base and yellow tops and be candle-like in appearance.
- If excessive soot is found inside the firebox area, the fireplace will require adjustment. Verify the air shutter and vent restrictor setting and document any changes.
- If the flame becomes sooty, dark orange, or extremely tall, do not operate the heater.
- Measure gas pressure. Inlet ___ W.C., Outlet ___ W.C.

Vent Maintenance

The following venting system inspection by a qualified service technician is recommended every six months:

- Inspect for excessive condensation, e.g., water droplets forming in the inner lining and subsequently dripping out of the joints. This can cause corrosion in the system.
- Check for corrosion in areas exposed to the elements. Where rust spots or holes have appeared, these must be immediately replaced.
- Ensure that there is no foreign material in the vents. Survey by removing the cap and shining a light down the vent.
- Check all joints and pipes to make sure that nothing has been disturbed or loosened.

Flame Pattern

Periodically check the pilot and main burner flames. Correct pilot flame pattern has two strong blue flames: 1 flowing around the flame sensor and 1 flowing across the burner (it does not have to be touching the burner).



Correct main burner flame pattern

Incorrect flame pattern will have small, probably yellow flames, not coming into proper contact with the rear burner or flame sensor.

! NOTE: If you have an incorrect flame pattern, contact your Faber dealer for further instructions.

Maintenance

Log Replacement

The unit should never be used with broken logs. Turn off the gas valve and allow the unit to cool before opening door and carefully remove the logs. (The pilot light generates enough heat to burn someone.) If for any reason a log should need replacement, you must use the proper replacement log. The position of these logs must be as shown in the diagrams under Log Installation.

! NOTE: Improper positioning of logs may create carbon build-up and will severely alter the unit's performance which is not covered under warranty.

Glass Gasket

If the glass gasket on the appliance requires replacement a graphite gasket specifically designed for this appliance is required. This gasket is supplied with preinstalled self-adhesive tape.

There is also gasket installed on the edge of the inner glass to protect against breakage when installing the glass.

Glass

Your Faber fireplace is supplied with safety screen and a 5 mm ceramic inner glass. If your glass requires cleaning, we recommend using an approved ceramic glass cleaner available at all authorized fireplace dealers. Do not use abrasive materials or cleaners.

WARNING

- Do not clean when the glass is hot.
- The use of substitute glass will void all product warranties.
- Care must be taken to avoid breakage of the glass.
- Do not strike or abuse the glass.
- Do not operate this fireplace without the glass front, or with a cracked or broken glass front.
- Wear gloves and safety glasses when removing damaged or broken glass.
- Replacement of the glass panels should be done by a licensed or qualified service person.

1. Always turn off the gas valve before cleaning. For relighting, refer to lighting instructions. Keep the burner and control compartment clean by brushing and vacuuming at least once a year. When cleaning the logs, use a soft clean paint brush as the logs are fragile and easily damaged.
2. Clean appliance and door with a damp cloth (never when unit is hot). Never use an abrasive cleaner. The glass should be cleaned with a gas fireplace glass cleaner. The glass should be cleaned when it starts looking cloudy.

Glass Replacement

In the event that you break your glass by impact, purchase your replacement from an authorized dealer only. Reinstall as per instructions provided with replacement.

- Check for evidence of excessive condensation, such as water droplets forming in the inner liner, and subsequently dripping out the joints, continuous condensation can cause corrosion of caps, pipe, and fittings. It may be caused by having excessive lateral runs, too many elbows, and exterior portions of the system being exposed to cold weather.
- Inspect joints, to verify that no pipe sections or fittings have been disturbed, and consequently loosened. Also check mechanical supports such as Wall Straps, or plumbers' tape for rigidity.

General Vent Maintenance

Conduct an inspection of the venting system twice a year. Recommended areas to inspect as follows:

1. Check the Venting System for corrosion in areas that are exposed to the elements. These will appear as rust spots or streaks, and in extreme cases, holes. These components should be replaced immediately.
2. Remove the Cap, and shine a flashlight down the Vent. Remove any bird nests, or other foreign material.
3. Check for evidence of excessive condensation, such as water droplets forming in the inner liner, and subsequently dripping out the joints, continuous condensation can cause corrosion of caps, pipe, and fittings. It may be caused by having excessive lateral runs, too many elbows, and exterior portions of the system being exposed to cold weather.
4. Inspect joints, to verify that no pipe sections or fittings have been disturbed, and consequently loosened. Also check mechanical supports such as Wall Straps, or plumbers' tape for rigidity.

Troubleshooting Guide

Unit does not power on using the remote control

Remote control is not synced	<p>Remote must learn new code</p> <p>Press and hold the receiver's reset button until you hear 2 acoustic signals. After the second longer acoustic signal, release the reset button and within the subsequent 20 seconds, press ▼ (down arrow) and hold on the remote handset until you hear an additional long acoustic signal confirming the new code is set.</p> <ul style="list-style-type: none"> • NOTE: if 15-20 seconds pass while pressing and holding ▼ (down arrow) and a long single tone is heard, confirm the sticker label (see below) on the remote handset and back of the receiver are both blue, or remote sticker is black, and the receiver sticker is green.
Remote batteries are dead	Replace batteries (2 × AAA batteries)
Receiver batteries are dead	Replace batteries (2 × AA alkaline batteries)
Pins on the 8-pin connector are bent	Inspect the pins and straighten as needed
Receiver is surrounded by metal - transmission range is reduced	Bring remote closer to receiver
RF interference - transmission range is reduced	Change the position of the antenna
Receiver is defective	Replace receiver
Remote is defective	<p>Ensure labels on back of remote and receiver match in color. Blue and blue, green to black.</p> <p>Replace remote if needed and reprogram code.</p>
No ignition, no tone	
Remote and receiver are not synced	See above to ensure remote has correct code to receiver.
Receiver has no power	Check power to receiver.
Receiver is defective	Replace receiver
No Ignition; One continuous 5 second tone (7 short beeps might be heard prior to the 5 second tone)	
Loose wire	Inspect wires, tighten as necessary
Bent pins on 8 wire connectors	Inspect pins, straighten as necessary
Receiver requires power cycling	Reset receiver and resync remote
Receiver is defective	Replace receiver
Valve is defective	Replace valve

No Pilot Flame and control continues to spark	
Air in the pilot line.	Purge the line (start ignition several times.)
No spark at pilot burner.	Check spark gap; Check for spark in location along cable.
	Check spark on the receiver by disconnecting the spark cable from the receiver.
Inappropriate inlet pressure	Confirm gas pressure is correct rating for NG/LPG.
Air seal issue around pilot.	Inspect and correct as needed.
Clogged pilot gas line.	To test, remove glass and attempt to light pilot with long stem-lighter.
	Disconnect pilot line from valve and check gas flow.
	Reset receiver and attempt to re-ignite.
Valve is defective	Replace valve
Receiver is defective	Replace receiver and reprogram code.
Pilot is lit, and control continues to spark. Valve shuts after 10-30 seconds.	
Over tightened thermocouple interrupter	Contact customer service or gas technician
Thermocouple is defective	Replace thermocouple
Receiver is defective	Replace receiver
Pilot is lit and sparking stops. Valve shuts after 3-60 seconds. Valve does not operate manually.	
Not enough voltage generated from the thermocouple or too much resistance in the circuit.	Use a digital multimeter set in the mV range and measure the voltage by connecting the test leads to the spade connector. Spade connector is located on the outer surface, directly beside the magnet nut. The available voltage must be at least 5 mV. The manufacturer must specify the drop time for the application. The drop time can be measured after the thermocouple is heated.
Low inlet pressure.	Confirm regulator pressure and sizing. Replace if necessary.
Thermocouple is defective	Replace thermocouple
Valve is defective	Replace valve
3 short beeps while the motor turns	
Receiver batteries are low	Replace batteries (2 × AA alkaline batteries)
Pilot flame lights but there is no main gas flow	
Low inlet pressure	Contact customer service or gas technician
Valve turned down to pilot flow.	Turn flame to high fire by pressing up button on remote handset.
Main gas burner line is crimped	Contact customer service or gas technician
Clogged burner orifice	Contact customer service or gas technician
Valve is defective	Replace valve

Warranty

Limited Lifetime Warranty

Faber extends this Limited Lifetime Warranty to the original purchaser of this appliance provided the product remains in the original place of installation. The items covered by this limited warranty and the period of such coverage is set forth in the table below. Some conditions apply (see below).

The policy is not transferable, amendable, or negotiable under any circumstances.

Part	Parts & Labor Warranty Coverage		
	Lifetime	5 years	1 year
Firebox	×		
Steel Burner Tube		×	
Glass Thermal breakage only		×	
All Surrounds/Inlays Finishes		×	
Panels and Log sets		×	
Valve assembly and all gas control components, (Pilot assembly, Spark Electrode, Pilot Tubing, Orifices, Thermocouple)			×
All Other Electrical components (Ignition Control Boards, Wiring, Switches, Battery Pack, Remote Control Systems)			×
Glass Panels			×
Venting/Venting Components			×
All Stainless Steel Surrounds			×
All Firebox Media			×
All hardware			×
Mesh/Glass Safety Barriers			×
Glass (Crazing)			×

Conditions:

Warranty protects against defects in manufacture or Faber factory assembled components only unless herein specified otherwise.

Any part(s) found to be defective during the warranty period as outlined above will be repaired or replaced at Faber's option through an accredited distributor, dealer or preapproved and assigned agent provided that the defective part is returned to the distributor, dealer or agent for inspection if requested by Faber. Alternatively, Faber may at its own discretion fully discharge all of its obligations under the warranty by refunding the verified purchase price of the product to the original purchaser. The purchase price must be confirmed by the original Bill of Sale.

The authorized selling dealer, or an alternative authorized Faber dealer if preapproved by Faber, is responsible for all infield diagnosis and service work related to all warranty claims. Faber is not responsible for results or costs of workmanship of unauthorized Faber dealers or agents in the negligence of their service work.

At all times Faber reserves the right to inspect reported complaints on location in the field claimed to be defective prior to processing or authorizing of any claim. Failure to allow this upon request will void the warranty. All warranty claims must be submitted by the dealer servicing the claim, including a copy of the Bill of Sale (proof of purchase by you).

All claims must be complete and provide full details as requested by Faber to receive consideration for evaluation. Incomplete claims may be rejected. Unit must be installed according to all manufacturers' instructions as per the manual.

All Local and National required codes must be met. The installer is responsible to ensure the unit is operating as designed at the time of installation.

The original purchaser is responsible for annual maintenance of the unit, as outlined in the owner's manual. As outlined below, the warranty may be voided due to problems caused by lack of maintenance.

Repair/replacement parts purchased by the consumer from Faber after the original coverage has expired on the unit will carry a 90-day warranty, valid with a receipt only. Any item shown to be defective will be repaired or replaced at our discretion. No labor coverage is included with these parts.

Exclusions:

This Limited Lifetime Warranty does not extend to paint, rust or corrosion of any kind due to a lack of maintenance or improper venting, combustion air provision, corrosive chemicals (i.e. chlorine, salt, air, etc.), door or glass gasketing.

Malfunction, damage or performance-based issues as a result of environmental conditions, location, chemical damages, downdrafts, installation error, installation by an unqualified installer, incorrect chimney components (including but not limited to cap size or type), operator error, abuse, misuse, use of improper fuels, lack of regular maintenance and upkeep, acts of God, weather-related problems from hurricanes, tornadoes, earthquakes, floods, lightning strikes/bolts or acts of terrorism or war, which result in malfunction of the appliance are not covered under the terms of this Limited Lifetime Warranty.

Faber has no obligation to enhance or modify any unit once manufactured (i.e. as products evolve, field modifications or upgrades will not be performed on existing appliances).

This warranty does not cover dealer travel costs for diagnostic or service work. All labor rates paid to authorized dealers are subsidized, predetermined rates. Dealers may charge homeowner for travel and additional time beyond their subsidy.

Any unit showing signs of neglect or misuse will not be covered under the terms of this warranty policy and may void this warranty. This includes units with rusted or corroded fireboxes which have not been reported as rusted or corroded within three (3) months of installation/purchase.

Units which show evidence of being operated while damaged, or with problems known to the purchaser and causing further damages will void this warranty.

Units where the serial no. has been altered, deleted, removed or made illegible will void this warranty.

Minor movement, expansion and contraction of the steel is normal and is not covered under the terms of this warranty.

Faber is not liable for the removal or replacement of facings or finishing in order to repair or replace any appliance in the field.

Freight damages for products or parts are not covered under the terms of the warranty.

Products made or provided by other manufacturers and used in conjunction with the Faber appliance without prior authorization from Faber may void this warranty.

Warranty

Limitations of Liability:

The original purchaser's exclusive remedy under this warranty, and Faber's sole obligation under this warranty, express or implied, in contract or in tort, shall be limited to replacement, repair, or refund, as outlined above.

IN NO EVENT WILL Faber BE LIABLE UNDER THIS WARRANTY FOR ANY INCIDENTAL OR CONSEQUENTIAL COMMERCIAL DAMAGES OR DAMAGES TO PROPERTY. TO THE EXTENT PERMITTED BY APPLICABLE LAW, Faber MAKES NO EXPRESS WARRANTIES OTHER THAN THE WARRANTY SPECIFIED HEREIN. THE DURATION OF ANY IMPLIED WARRANTY IS LIMITED TO DURATION OF THE EXPRESSED WARRANTY SPECIFIED ABOVE. IF IMPLIED WARRANTIES CANNOT BE DISCLAIMED, THEN SUCH WARRANTIES ARE LIMITED IN DURATION TO THE DURATION OF THIS WARRANTY.

Some U.S. states do not allow limitations on how long an implied warranty lasts, or allow exclusion or limitation of incidental or consequential damages, so the above limitations or exclusions may not apply to you.

Customers located outside the U.S. should consult their local, provincial or national legal codes for additional terms which may be applicable to this warranty.

How to Obtain Warranty Service:

Customers should contact the authorized selling dealer to obtain warranty service. In the event the authorized selling dealer is unable to provide warranty service, please contact Faber by mail at the address listed below. Please include a brief description of the problem and your address, email and telephone contact information. A representative will contact you to make arrangements for an inspection and/or warranty service.

North American Warrantor:

Glen Dimplex Americas

1367 Industrial Rd.
Cambridge (Ontario)
N3H 4W3, ON Canada

1-888-346-7539

Product Registration and Customer Support:

Thank you for choosing a Faber Fireplace. To provide the best support for your product, we request that you complete a product registration form within ninety (90) days of purchase.

GlenDimplex AMERICAS

Enhancing the moments that matter in life

BRANDS OF GLEN DIMPLEX AMERICAS

 **Dimplex**

www.dimplex.com



CADET 

www.cadetheat.com



 **faber**

www.faberfire.com



 **nectre**

www.nectreusa.com

