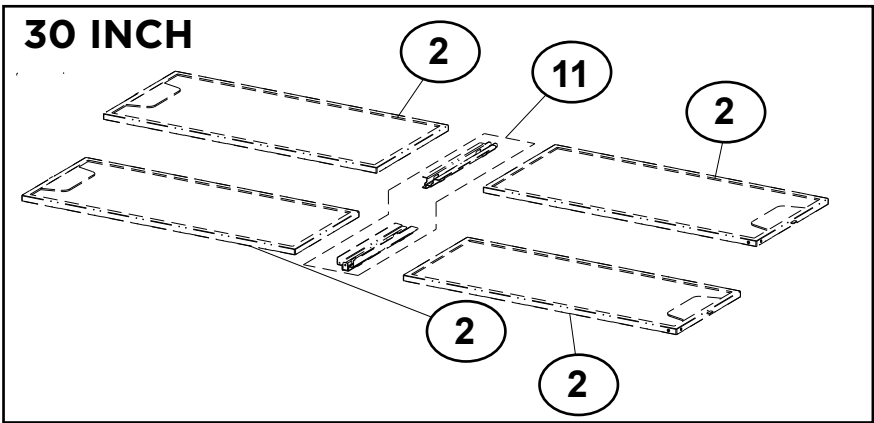
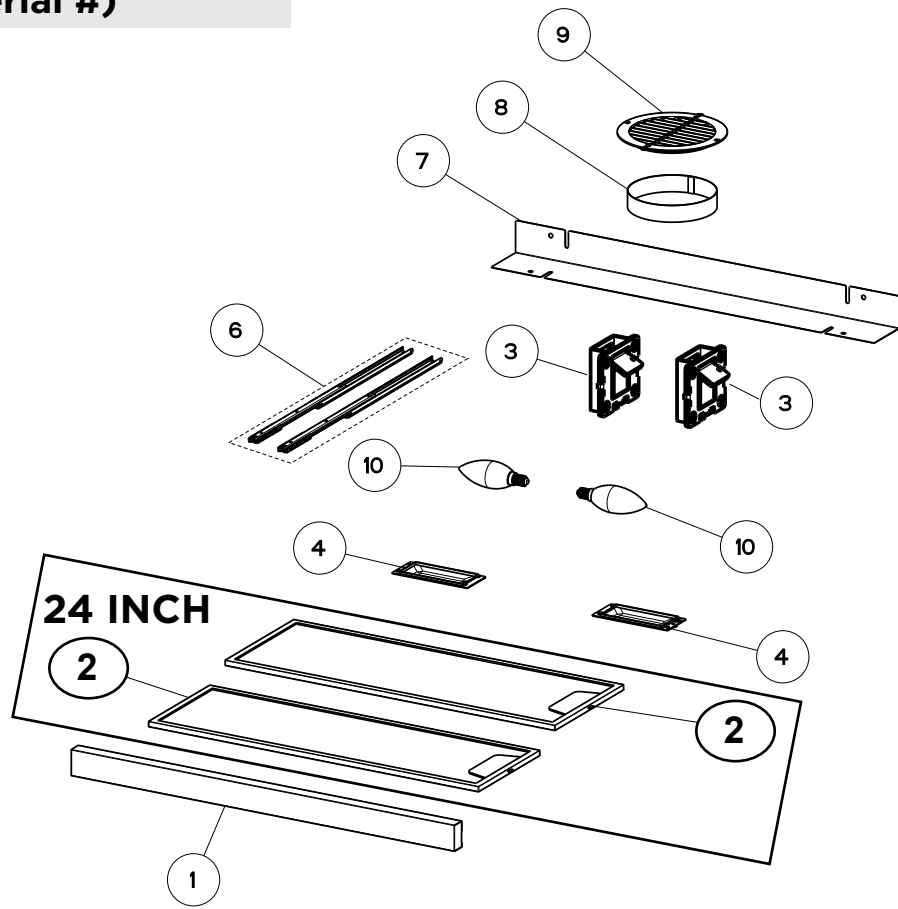


FLEXA (Starting C Serial #)

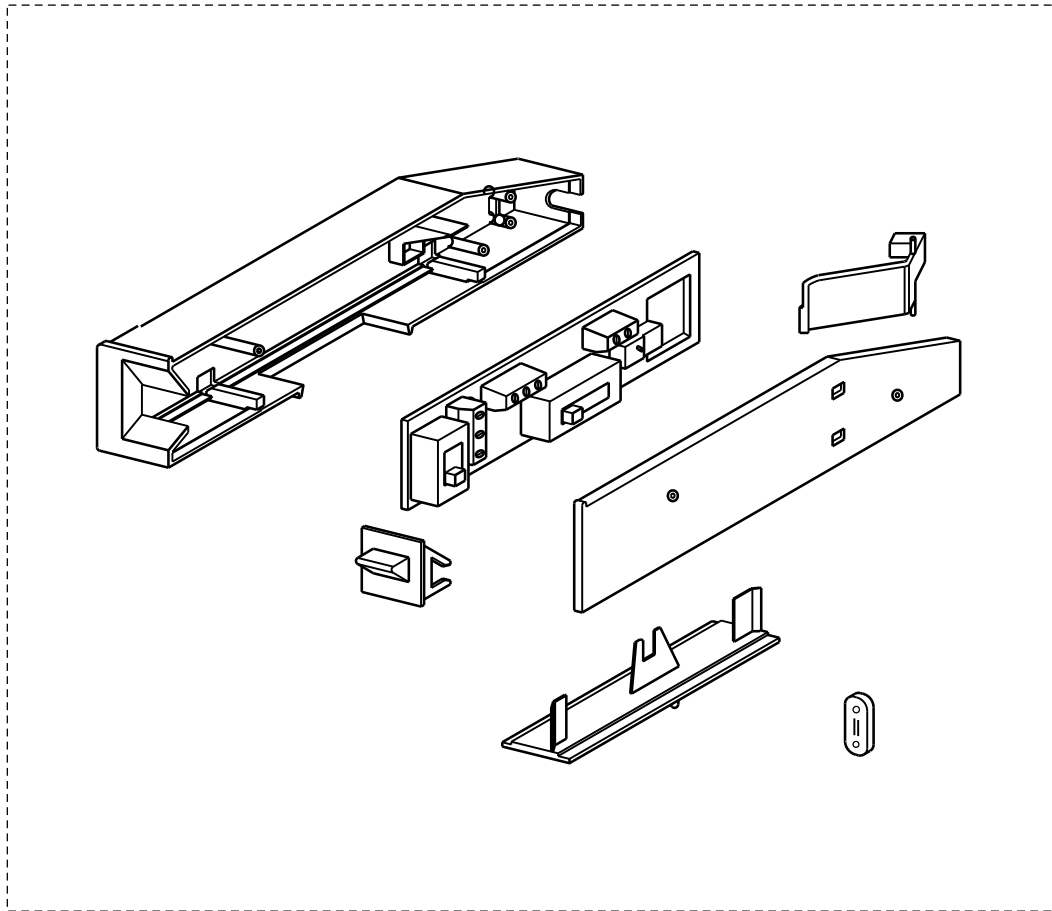
body components



	Model Number	FLEX24SS300	FLEX30SS300	
Key	Description	24 Stainless	30 Stainless	Qty Req.
1	Front Panel Kit	133.0665.025	133.0665.030	1
2	Grease Filters (front or back)	NA	133.0328.252	4
2	Front Grease Filter	133.0176.352	NA	1
2	Rear Grease Filter	133.0176.353	NA	1
3	Hinge Clips	133.0078.993	133.0078.993	1
4	Rectangle Light Diffusors	133.0328.389	133.0328.389	2
6	Sliding Guide Kit	133.0059.025	133.0059.025	1
7	Metal Filler Strip	133.0665.026	133.0665.051	1
8	Metal Damper Collar	133.0665.028	133.0665.028	1
9	Ductless Vent Grate	133.0017.620	133.0017.620	1
10	Lamp LED E12	133.0601.333	133.0601.333	2
11	Filter Spacer	NA	133.0059.259	1

FLEXA (Starting C Serial #)

switch components

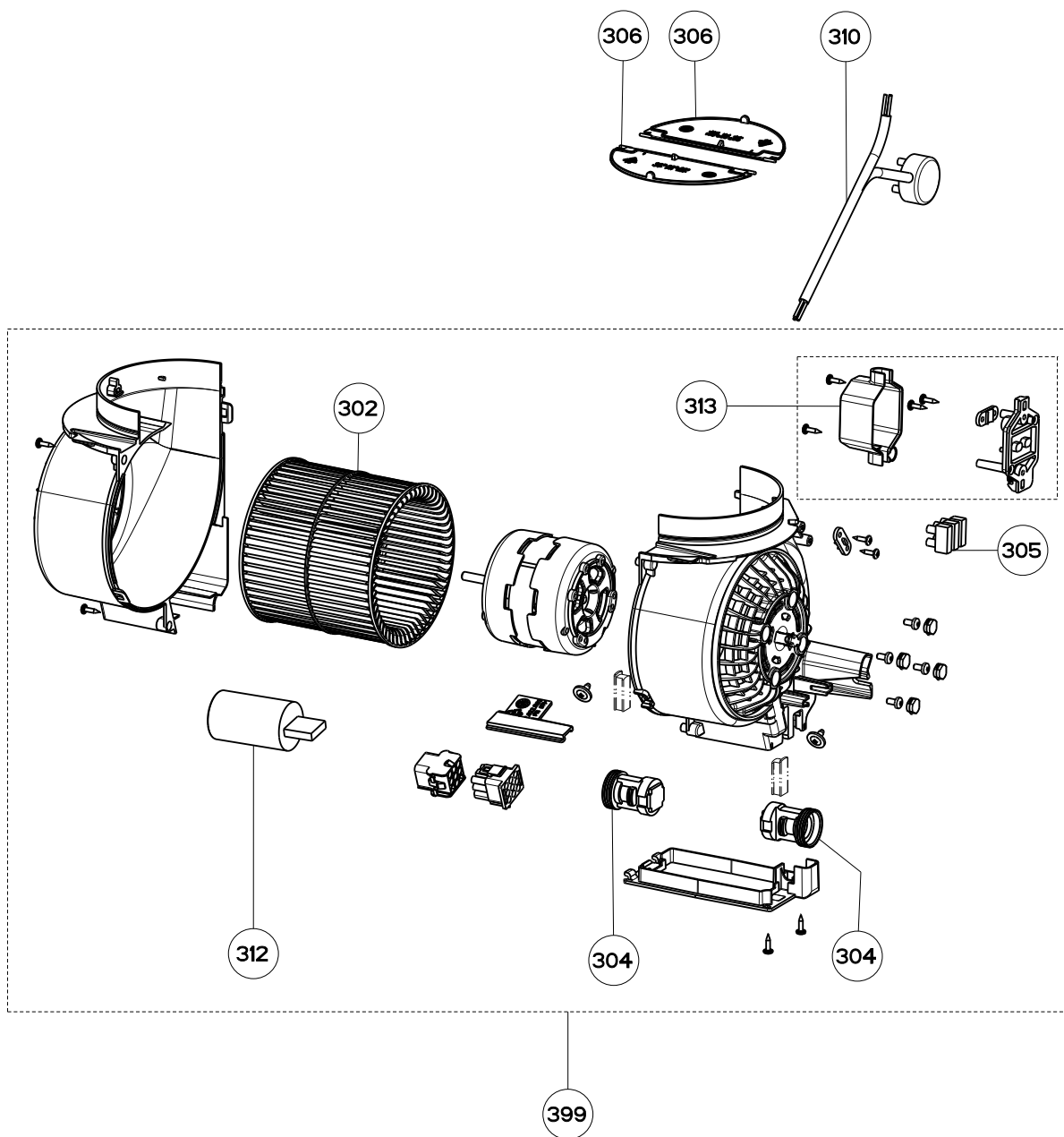


199

	Model Number	FLEX24SS300	FLEX30SS300	
Key	Description	24 Stainless	30 Stainless	Qty Req.
199	Control Board Kit	133.0067.035	133.0067.035	1

FLEXA (Starting C Serial #)

motor components



	Model Number	FLEX24SS300	FLEX30SS300	
Key	Description	24 Stainless	30 Stainless	Qty Req.
302	Impeller	133.0664.044	133.0664.044	1
304	Lampholder	133.0065.761	133.0065.761	2
305	Connector	133.0565.916	133.0565.916	1
306	Damper	133.0530.285	133.0530.285	1
310	Power Cable	133.0072.591	133.0072.591	1
312	Capacitor	133.0071.827	133.0071.827	1
313	Fuse Cover	133.0061.944	133.0061.944	1
399	Motor	133.0661.682	133.0661.682	1